



US00D814318S

(12) **United States Design Patent** (10) **Patent No.:** **US D814,318 S**  
**Nunes** (45) **Date of Patent:** **\*\* Apr. 3, 2018**

(54) **WATCH**  
(71) Applicant: **Brendon G. Nunes, Ajax (CA)**  
(72) Inventor: **Brendon G. Nunes, Ajax (CA)**  
(\*\*) Term: **15 Years**  
(21) Appl. No.: **29/620,202**  
(22) Filed: **Aug. 12, 2016**  
(51) **LOC (11) Cl.** ..... **10-02**  
(52) **U.S. Cl.**  
USPC ..... **D10/30**  
(58) **Field of Classification Search**  
USPC ..... D10/1-39, 65, 70, 122-132  
CPC ..... G04B 17/00; G04B 17/02; G04B 17/005;  
G04B 17/285; G04B 37/00; G04B 37/00;  
G04B 37/0058; G04B 45/00; G04B  
45/02; G04B 45/038; G04B 45/0069;  
G04B 45/0076; G04B 29/00; G04B  
19/268

See application file for complete search history.

(56) **References Cited**

**U.S. PATENT DOCUMENTS**

D412,670 S 8/1999 Riley  
D415,040 S 10/1999 Sang  
D594,352 S \* 6/2009 Belamich ..... D10/39  
D601,043 S \* 9/2009 Belamich ..... D10/39  
D630,531 S 1/2011 Nunes  
D632,593 S 2/2011 Nunes  
D635,867 S 4/2011 Nunes  
D668,970 S 10/2012 Nunes  
D717,669 S \* 11/2014 Tak ..... D10/38

D725,498 S \* 3/2015 Belamich ..... D10/124  
D726,029 S \* 4/2015 Belamich ..... D10/124  
D748,999 S \* 2/2016 Belamich ..... D10/126  
D755,645 S \* 5/2016 Belamich ..... D10/125  
D759,508 S 6/2016 Belamich  
D759,509 S \* 6/2016 Belamich ..... D10/126  
D761,131 S 7/2016 Nunes  
D761,132 S 7/2016 Nunes  
D761,133 S 7/2016 Nunes  
D761,669 S \* 7/2016 Belamich ..... D10/126  
D761,670 S \* 7/2016 Belamich ..... D10/126  
D782,923 S \* 4/2017 Belamich ..... D10/39  
2016/0124390 A1 \* 5/2016 Kobayashi ..... A44C 5/14  
368/282

\* cited by examiner

*Primary Examiner* — Sheryl Lane  
*Assistant Examiner* — Calvin E Vansant

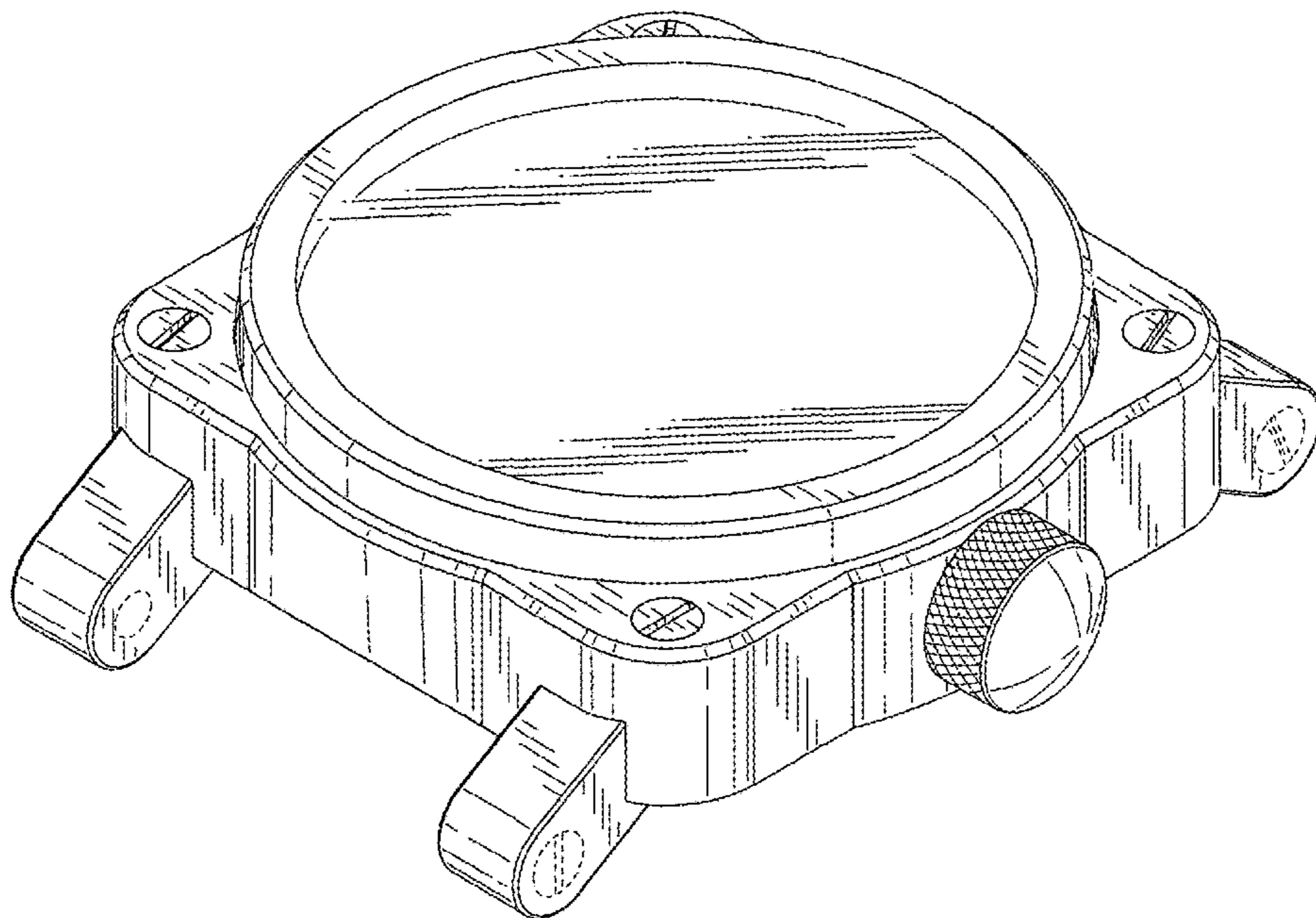
(57) **CLAIM**

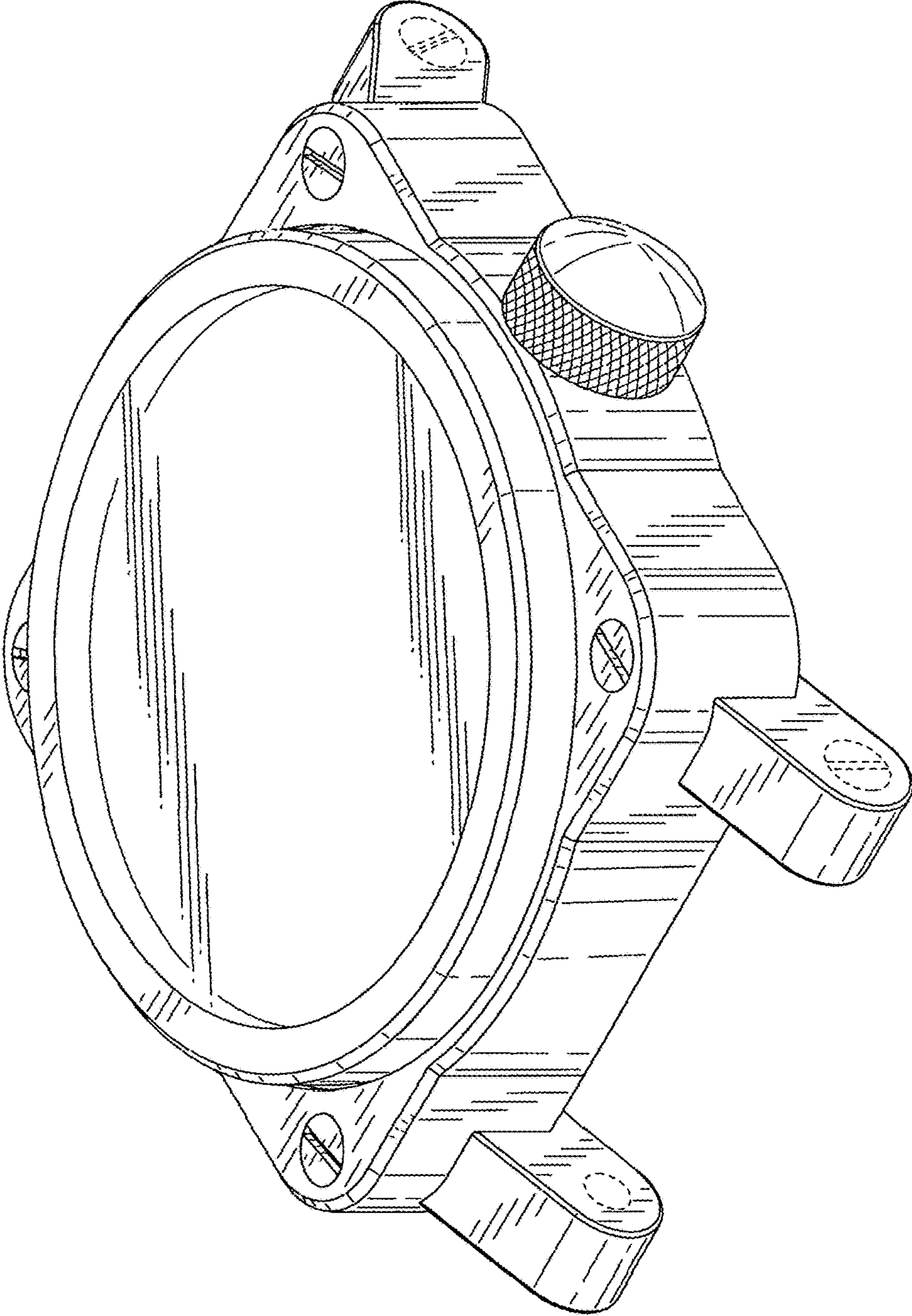
I claim the ornamental design for a watch, as shown and described.

**DESCRIPTION**

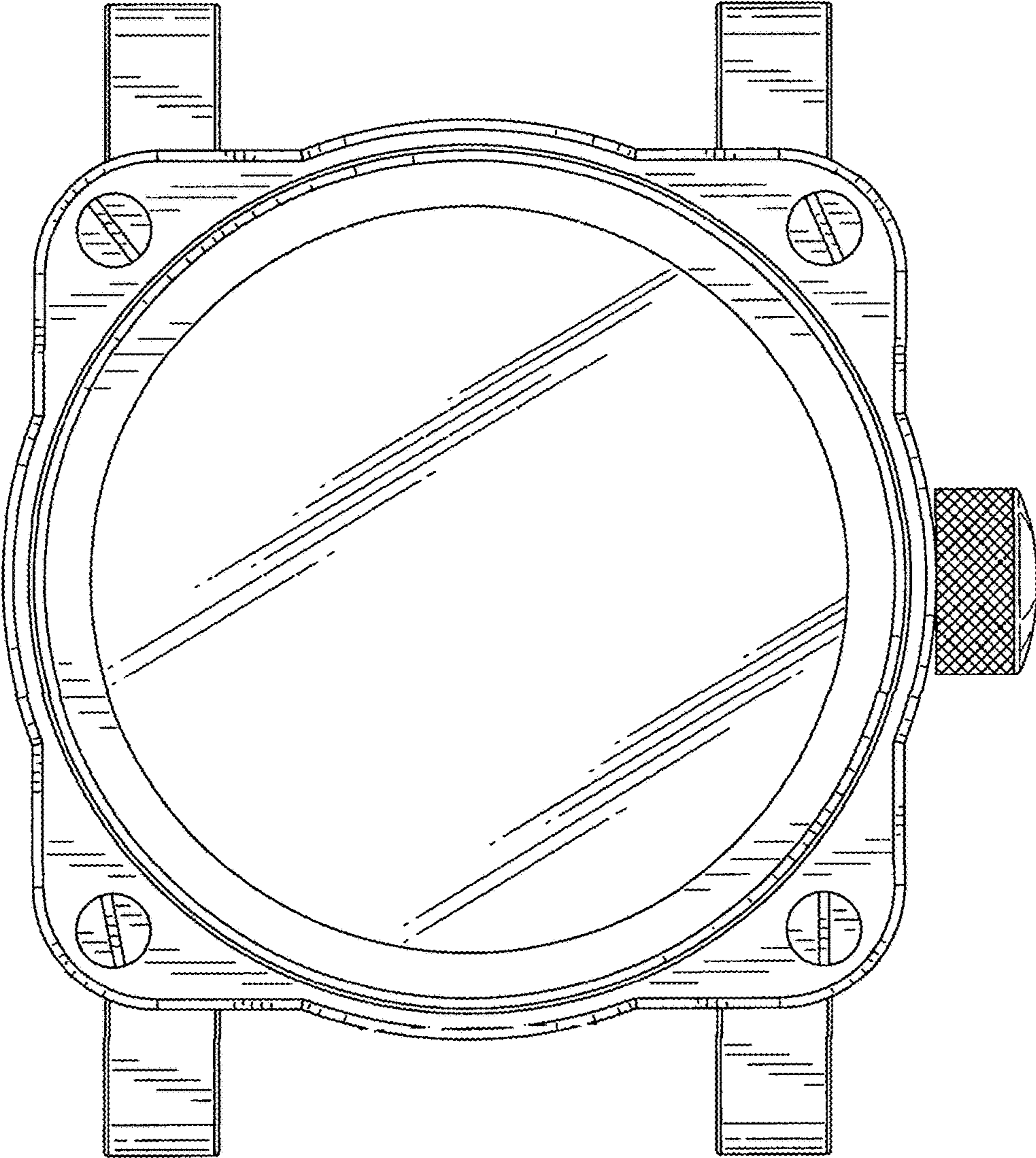
FIG. 1 is a top isometric view of a watch showing my new design;  
FIG. 2 is a top plan view thereof;  
FIG. 3 is a front elevational view thereof, the rear elevational view being a mirror image;  
FIG. 4 is a right side view thereof;  
FIG. 5 is a left side view thereof; and,  
FIG. 6 is a bottom plan view thereof.  
The elements shown in dotted line form no part of the invention.

**1 Claim, 4 Drawing Sheets**



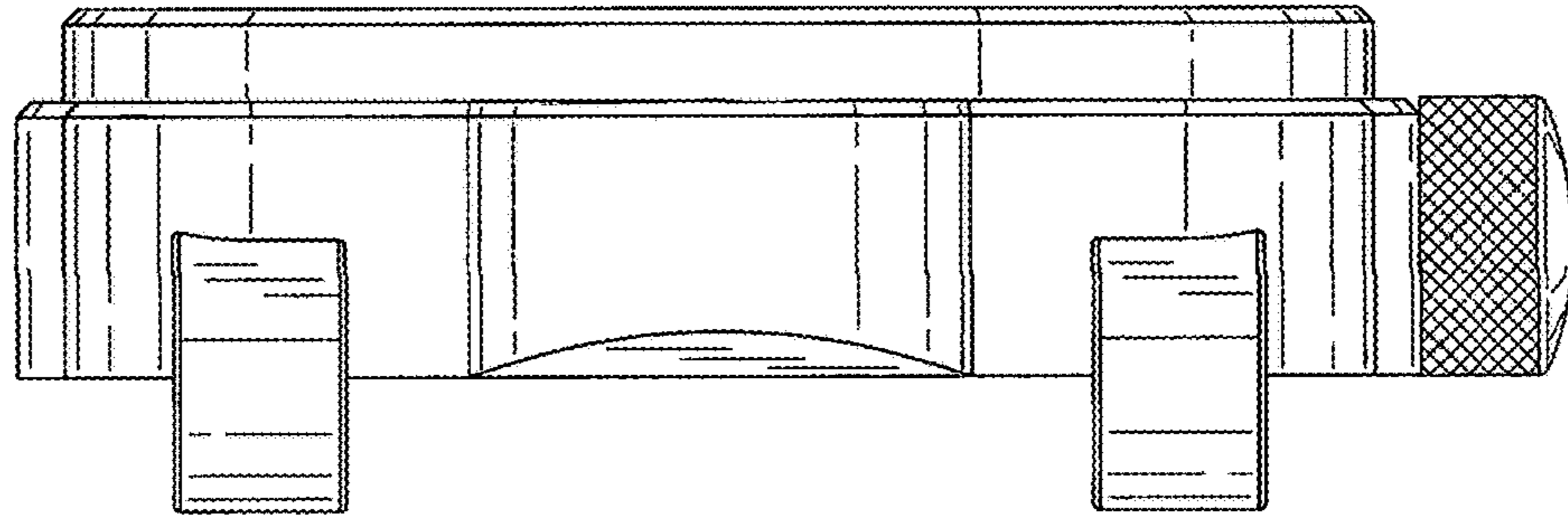


**FIG. 1**

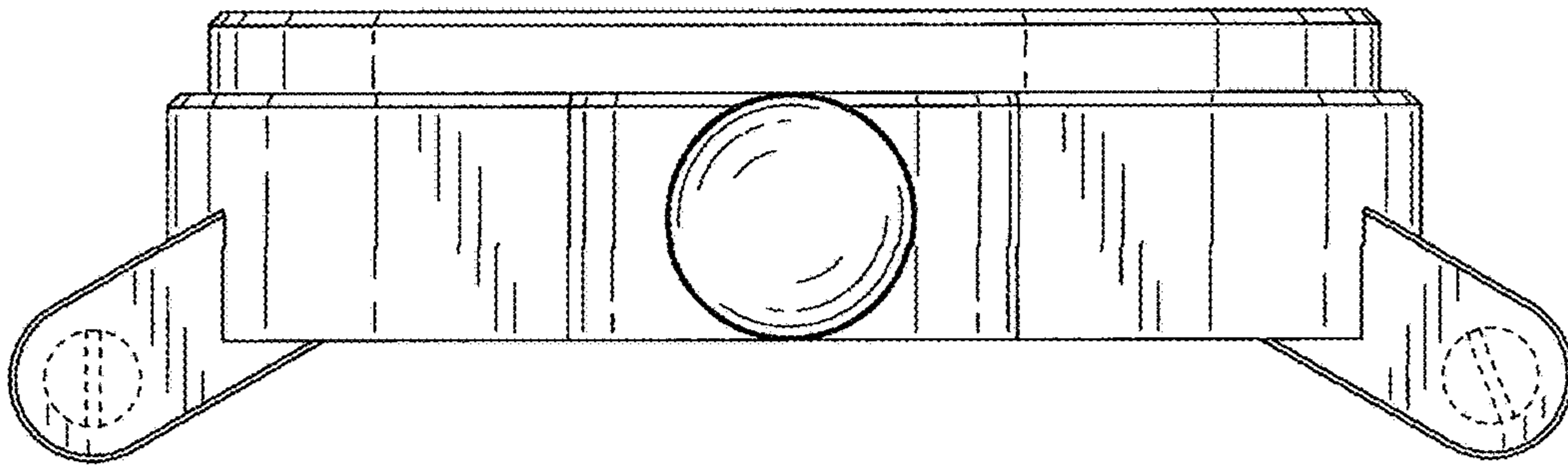


**FIG. 2**

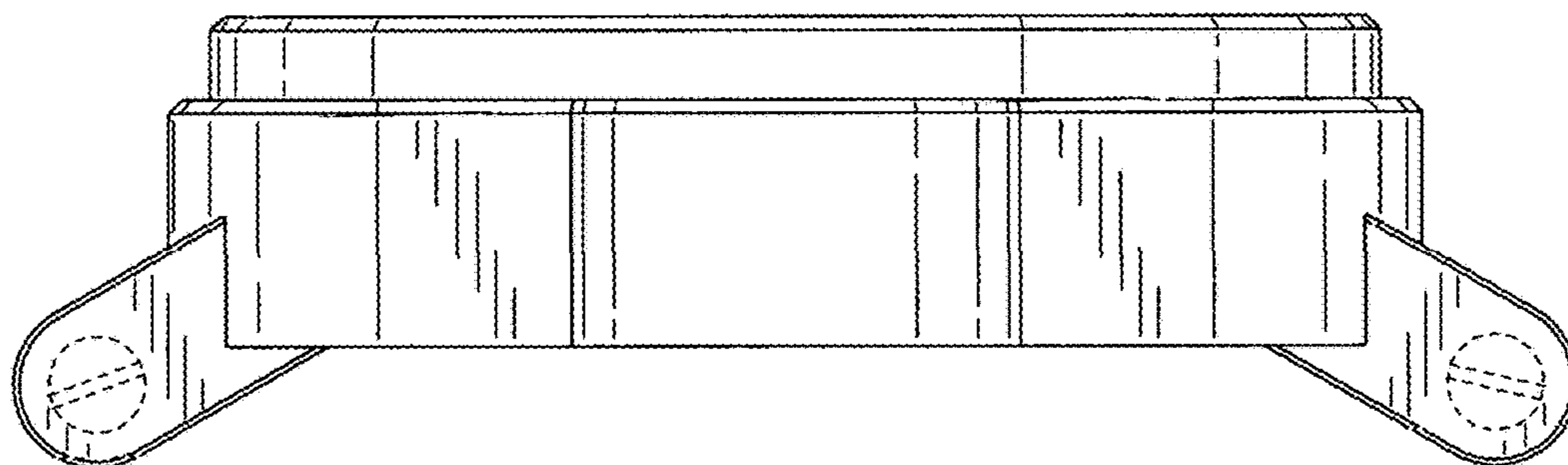




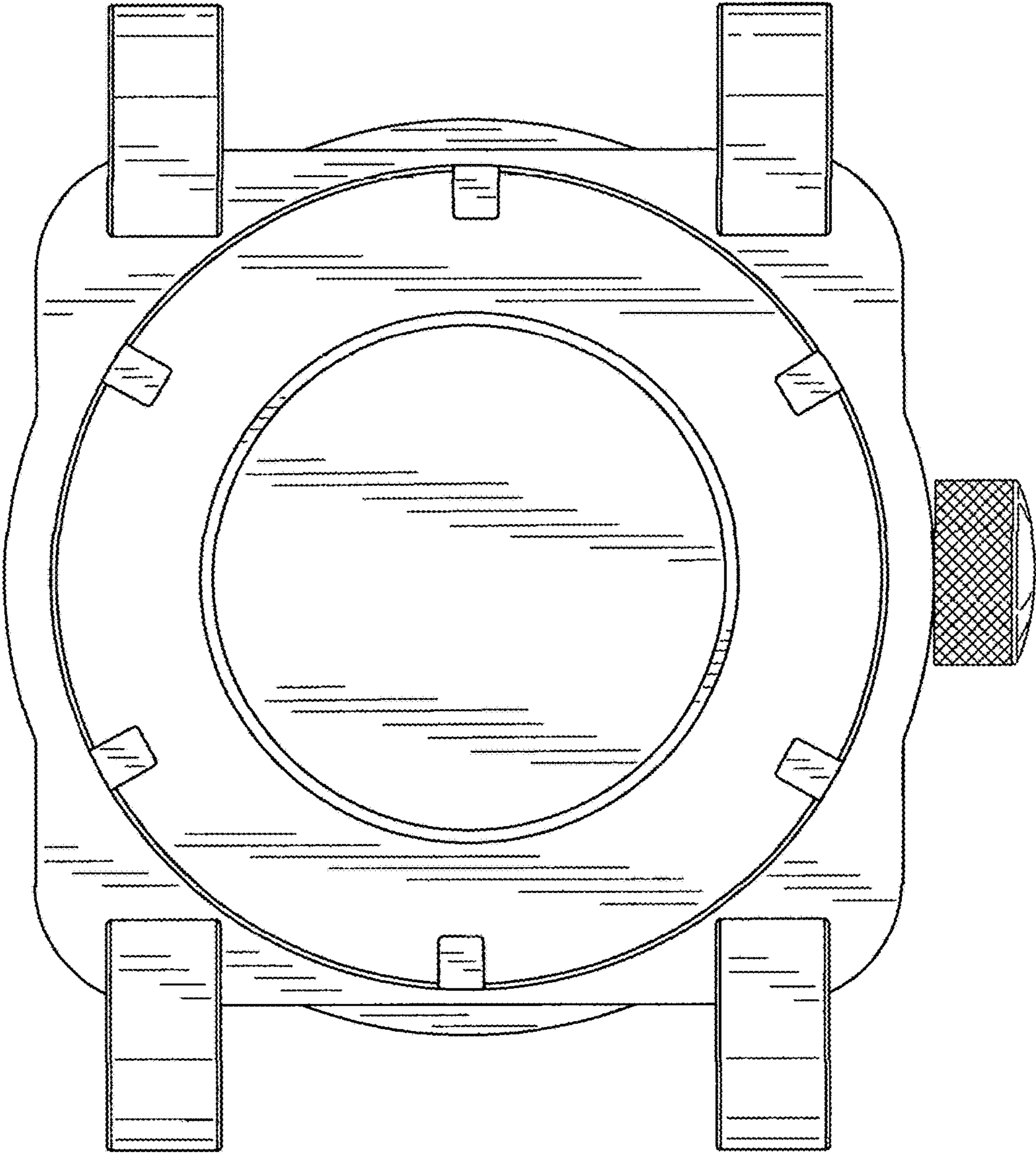
**FIG. 3**



**FIG. 4**



**FIG. 5**



**FIG. 6**