



US00D814316S

(12) **United States Design Patent**
Overgaag

(10) **Patent No.:** **US D814,316 S**

(45) **Date of Patent:** **** Apr. 3, 2018**

(54) **CLAMSHELL CONTAINER**

(71) Applicant: **Hollandia Produce, L.P.**, Carpinteria, CA (US)

(72) Inventor: **Petrus Overgaag**, Carpinteria, CA (US)

(73) Assignee: **HOLLANDIA PRODUCE, L.P.**, Carpinteria, CA (US)

(**) Term: **15 Years**

(21) Appl. No.: **29/576,725**

(22) Filed: **Sep. 6, 2016**

(51) **LOC (11) Cl.** **09-03**

(52) **U.S. Cl.**
USPC **D9/759; D9/423**

(58) **Field of Classification Search**
USPC D9/414, 415, 424, 425, 433, 715, 719,
D9/722, 721, 423, 737, 759; D7/553.2,
D7/601, 602, 629
CPC B65D 85/52; B65D 25/04; B65D 75/5827;
B65D 65/22; B65D 33/20; B65D 75/14;
B65D 5/50; B65D 43/0204; B65D
2543/00296; B65D 81/28; B65D 43/162;
B65D 51/28; B65D 2543/00194; B65D
21/0233; B65D 2519/00174; B65D
2519/00034; B65D 1/36; B65D
2519/00069; B65D 65/10; B65D 1/24;
B65D 2519/00288; B65D 75/22; B65D
81/3453; B65D 2543/00648; B65D 25/54;
B65D 25/38; B65D 5/503; B65D

(Continued)

(56) **References Cited**

U.S. PATENT DOCUMENTS

D232,302 S * 8/1974 Lazure D9/761
D428,331 S * 7/2000 MacTavish D9/415

(Continued)

Primary Examiner — Lauren R Calve

(74) *Attorney, Agent, or Firm* — Cotman IP Law Group, PLC

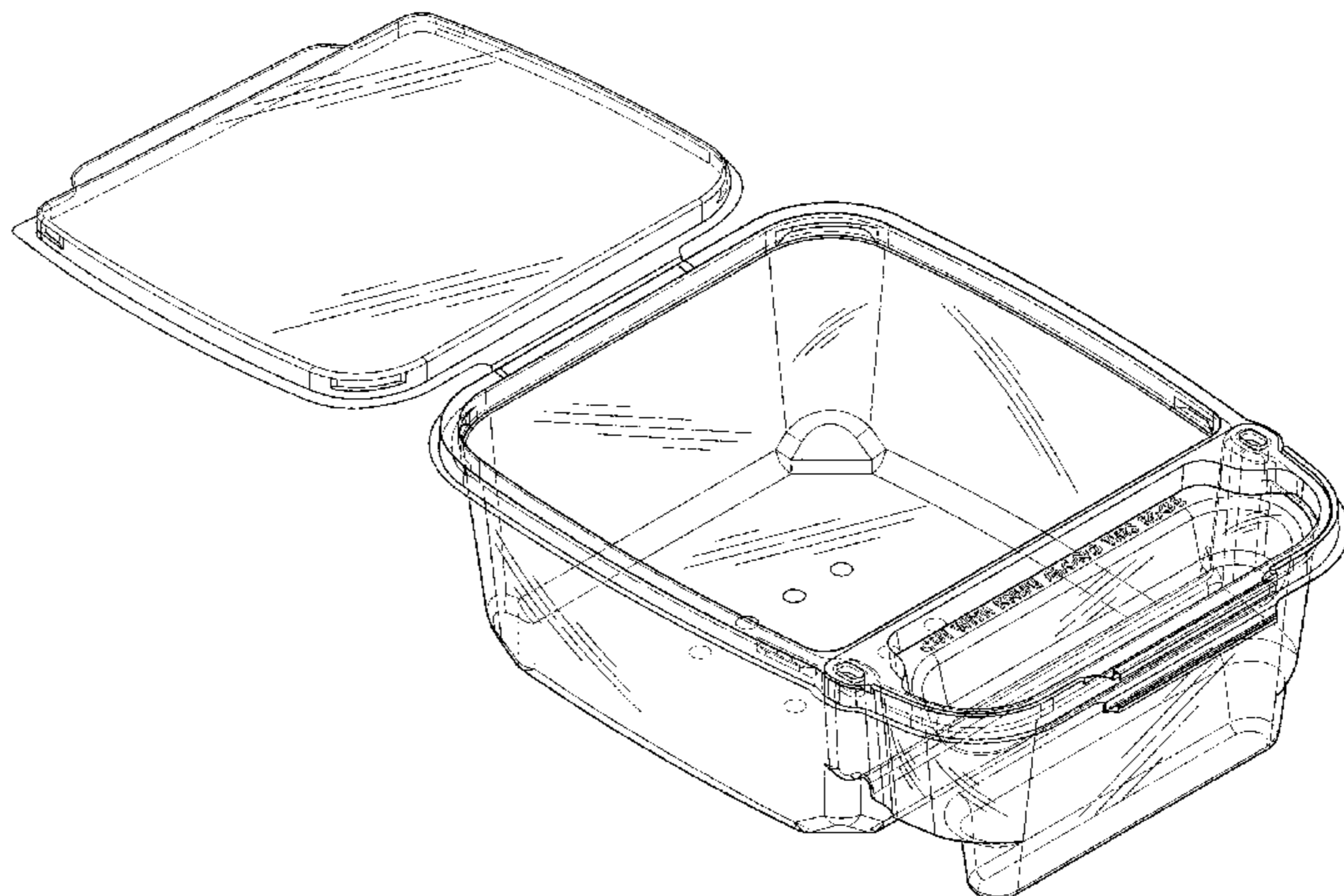
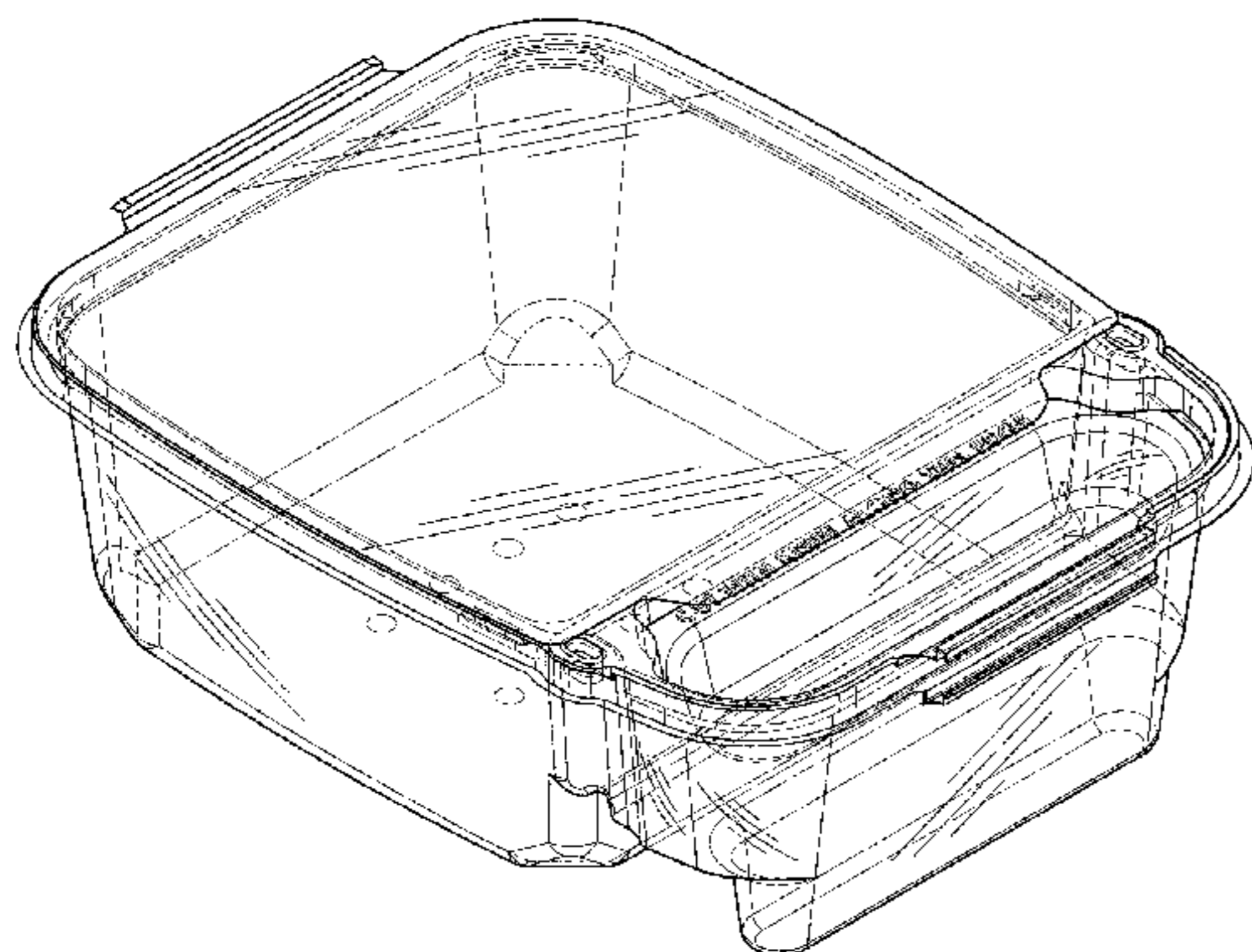
(57) **CLAIM**

The ornamental design for a clamshell container, as shown and described.

DESCRIPTION

FIG. 1 is a perspective view of a clamshell container in a closed position;
FIG. 2 is a top plan view of the clamshell container in a closed position;
FIG. 3 is a bottom plan view of the clamshell container in a closed position;
FIG. 4 is a left elevation view of the clamshell container in a closed position;
FIG. 5 is a right elevation view of the clamshell container in a closed position;
FIG. 6 is a front elevation view of the clamshell container in a closed position;
FIG. 7 is a rear elevation view of the clamshell container in a closed position;
FIG. 8 is a bottom perspective view of the clamshell container in a closed position;
FIG. 9 is a perspective view of the clamshell container in an open position;
FIG. 10 is a top plan view of the clamshell container in an open position;
FIG. 11 is a bottom plan view of the clamshell container in an open position;
FIG. 12 is a left elevation view of the clamshell container in an open position;
FIG. 13 is a right elevation view of the clamshell container in an open position;
FIG. 14 is a front elevation view of the clamshell container in an open position;
FIG. 15 is a rear elevation view of the clamshell container in an open position; and,
FIG. 16 is a bottom perspective view of the clamshell container in an open position.

1 Claim, 12 Drawing Sheets



(58) **Field of Classification Search**

CPC 2519/00208; B65D 2519/0086; B65D
2543/00759; B65B 25/02; B65B 7/26;
B65B 3/00

See application file for complete search history.

(56) **References Cited**

U.S. PATENT DOCUMENTS

D494,857	S	*	8/2004	Chen	D9/759
D515,880	S	*	2/2006	Lerner	D7/629
D596,499	S	*	7/2009	Willis	D9/424
D596,903	S	*	7/2009	Willis	D7/553.2
D643,311	S	*	8/2011	Meyers	D9/756
D665,676	S	*	8/2012	Wu	D7/629
D688,572	S	*	8/2013	Marin	D9/425
D695,107	S	*	12/2013	Clements	D9/425
D774,901	S	*	12/2016	Geheran	D9/423
D777,570	S	*	1/2017	Toledo	D9/425
D778,155	S	*	2/2017	Strachan	D7/555
2010/0320212	A1	*	12/2010	Cai	A47J 47/02 220/526
2015/0307257	A1	*	10/2015	Padda	B65D 21/0223 206/204

* cited by examiner

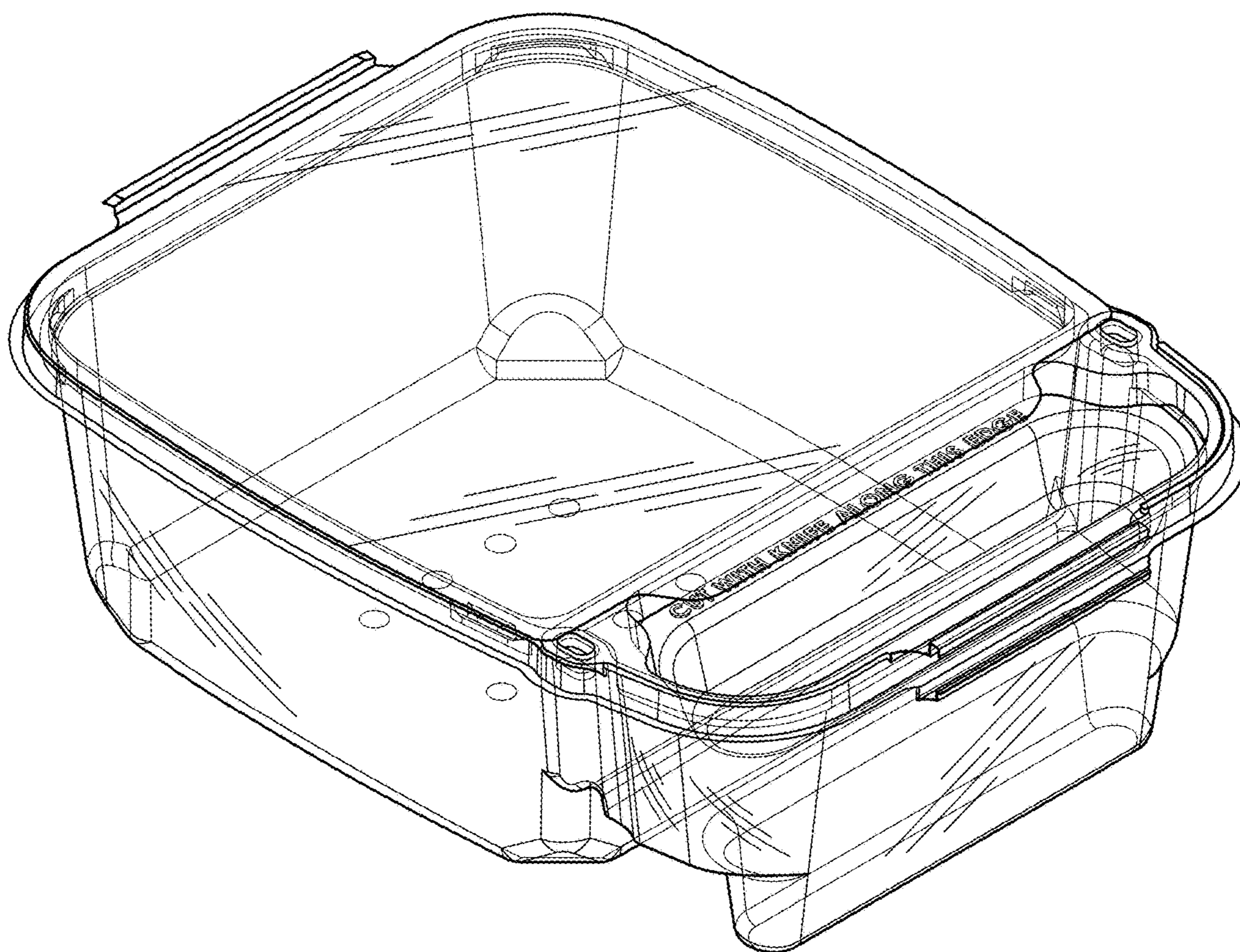


FIG. 1

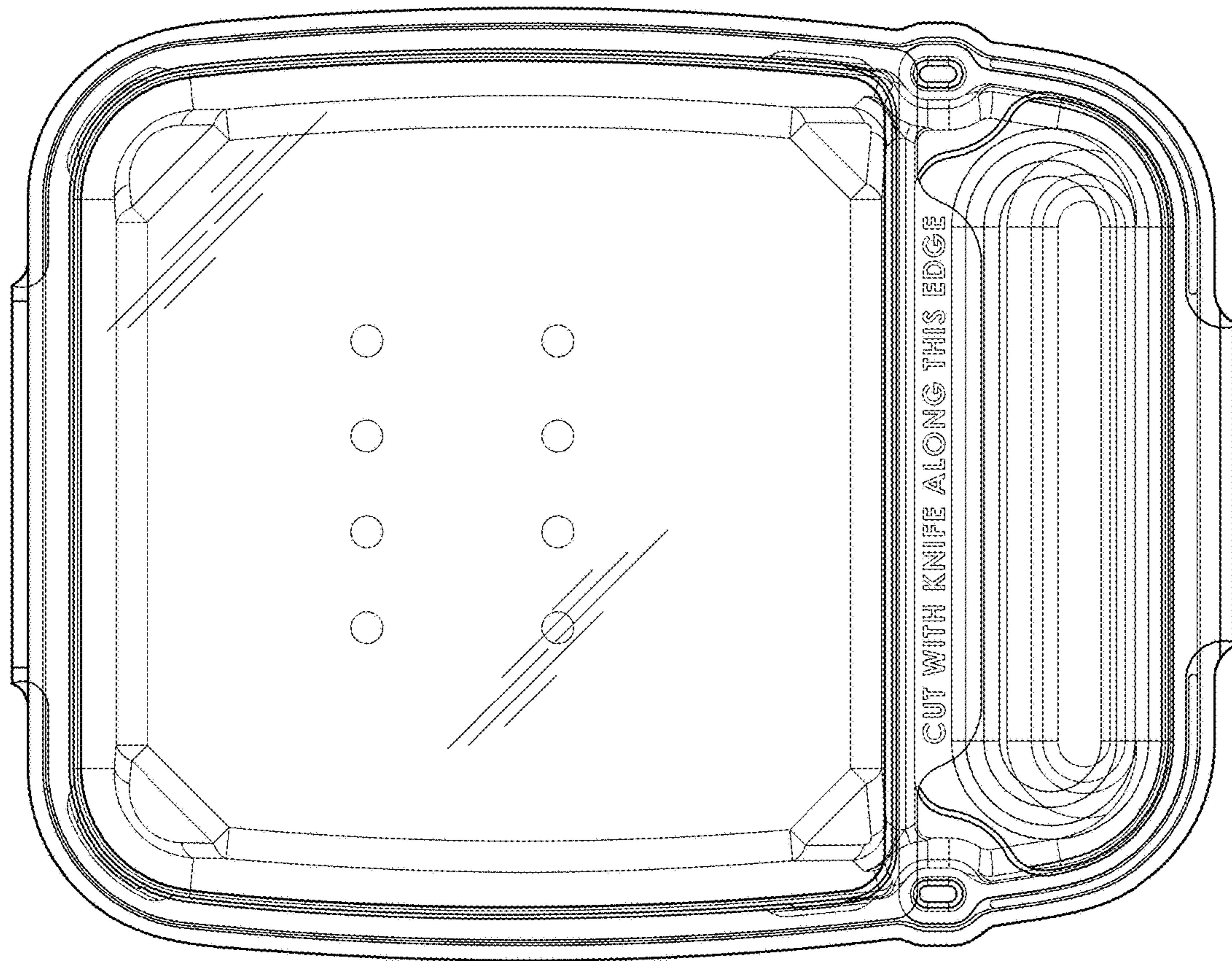


FIG. 2

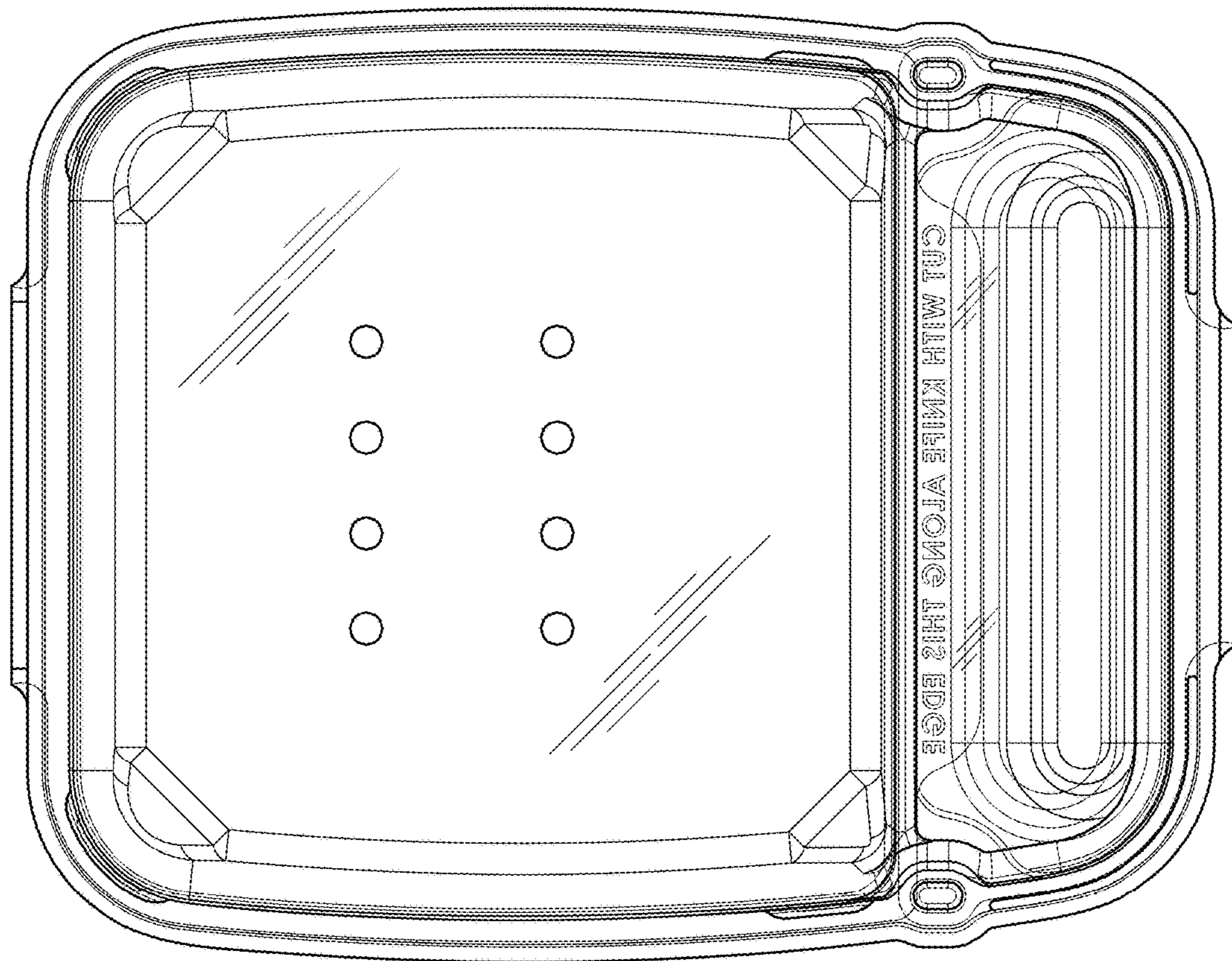


FIG. 3

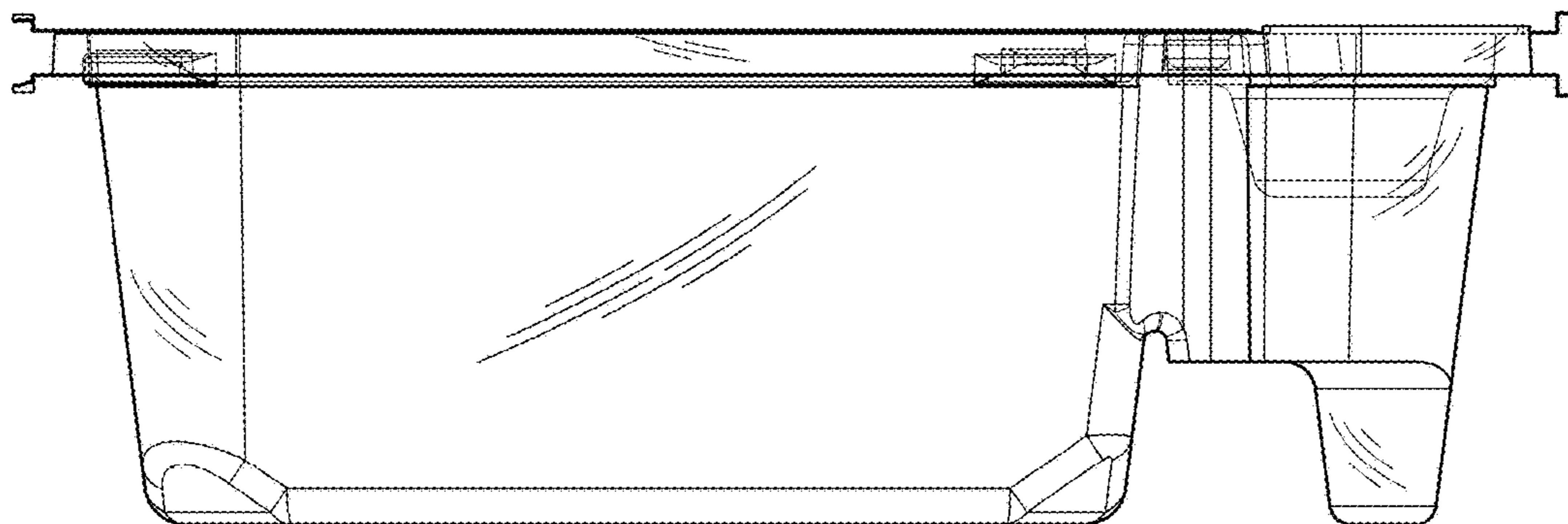


FIG. 4

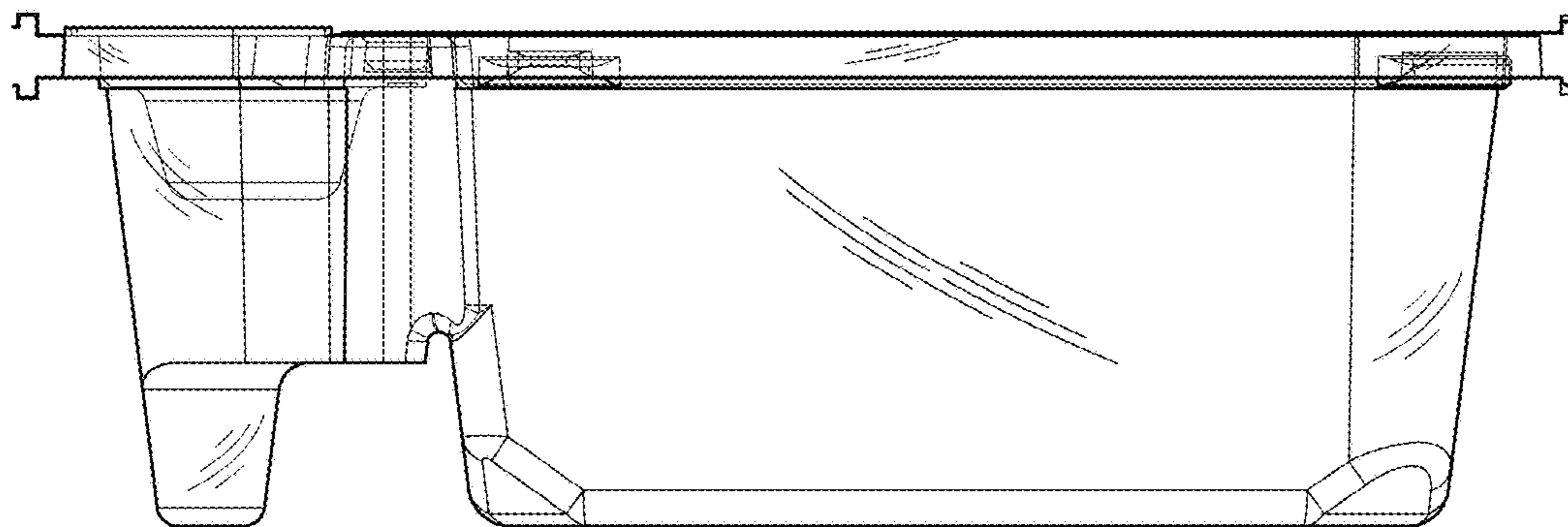


FIG. 5

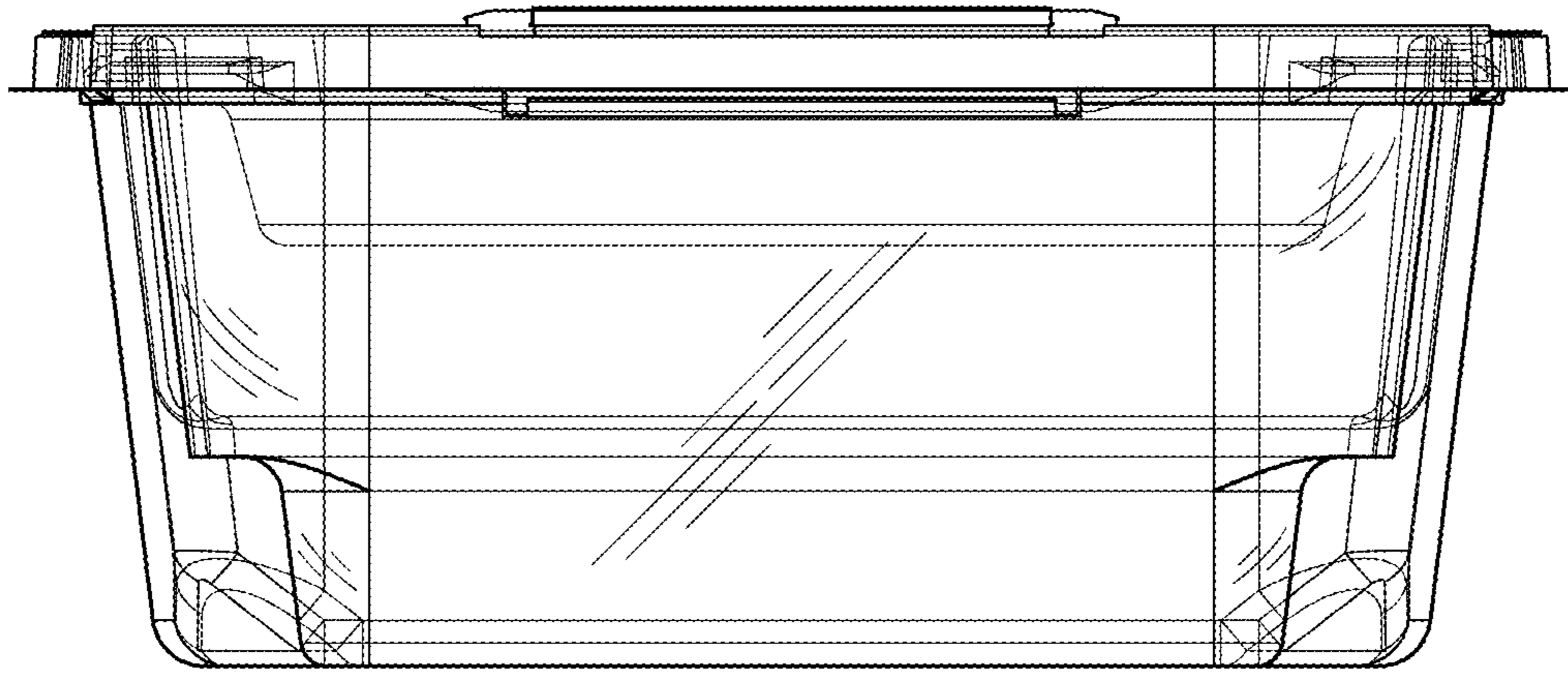


FIG. 6

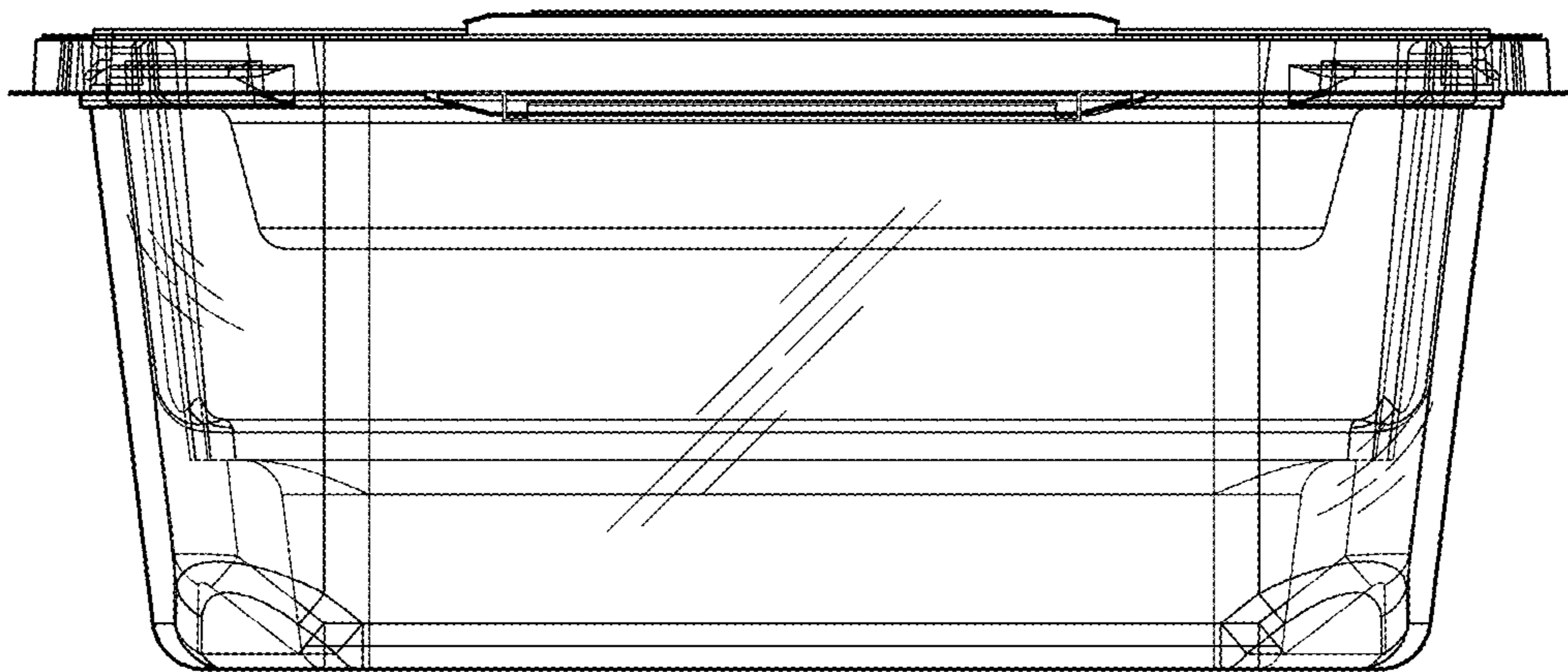


FIG. 7

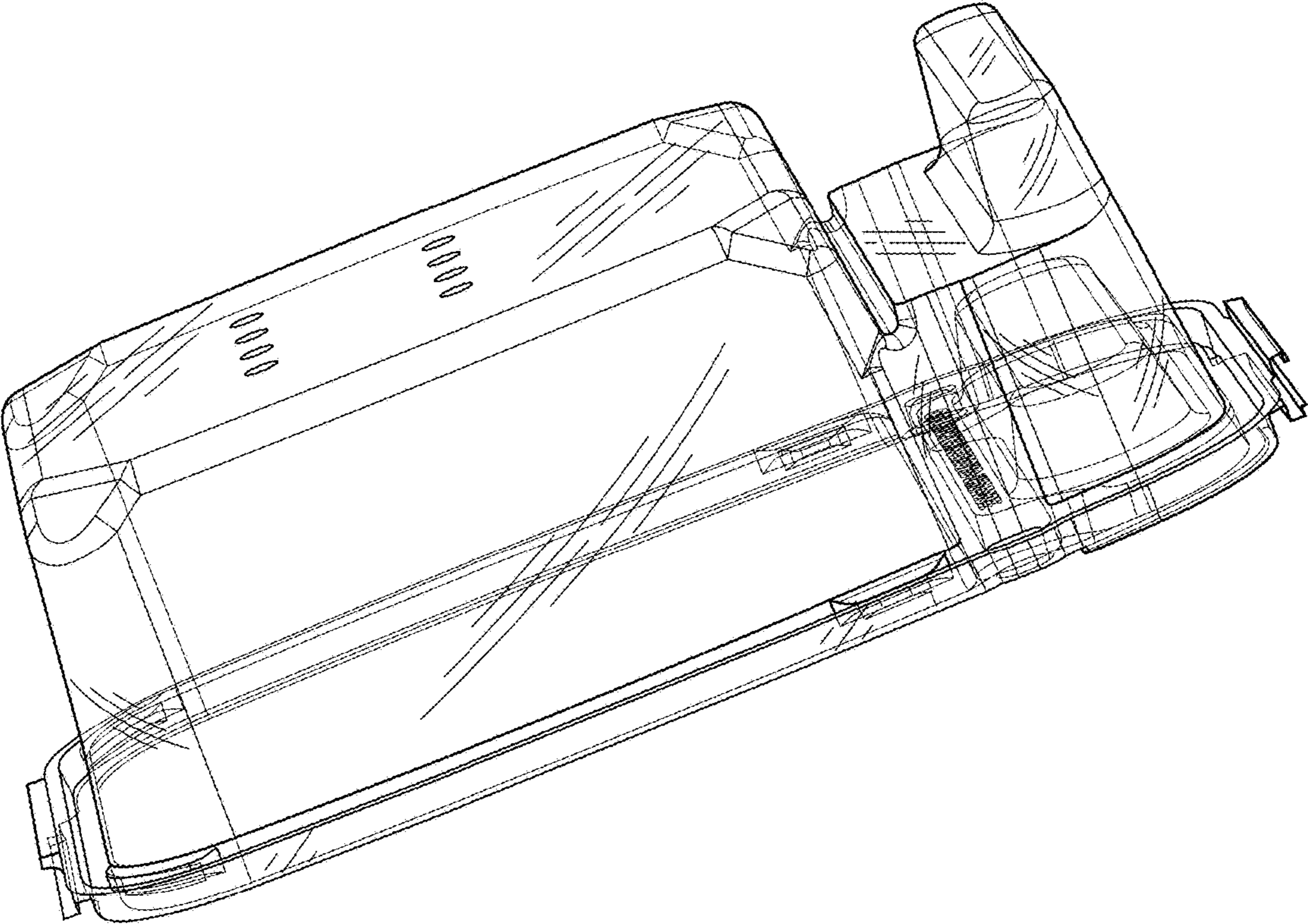


FIG. 8

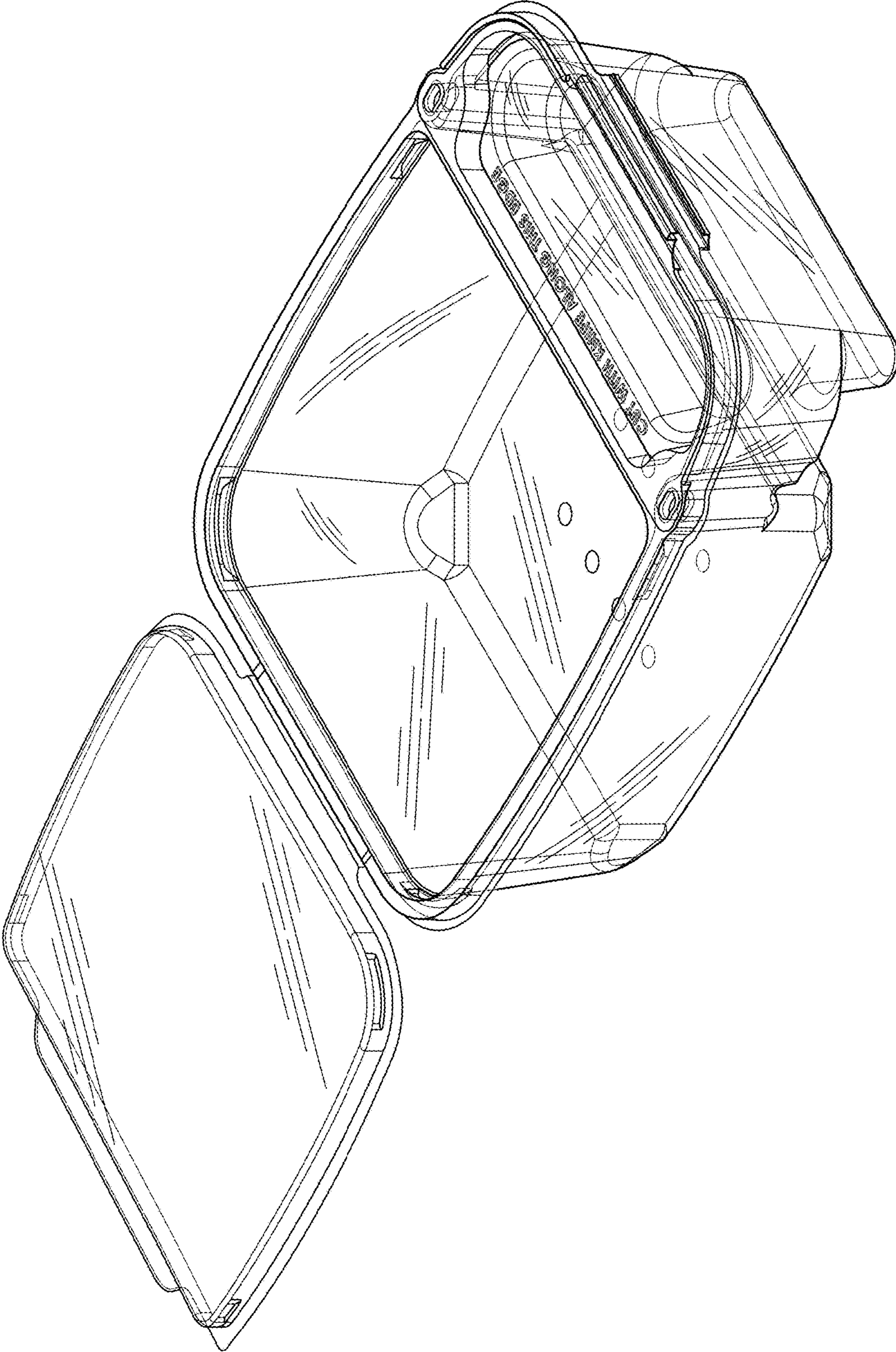


FIG. 9

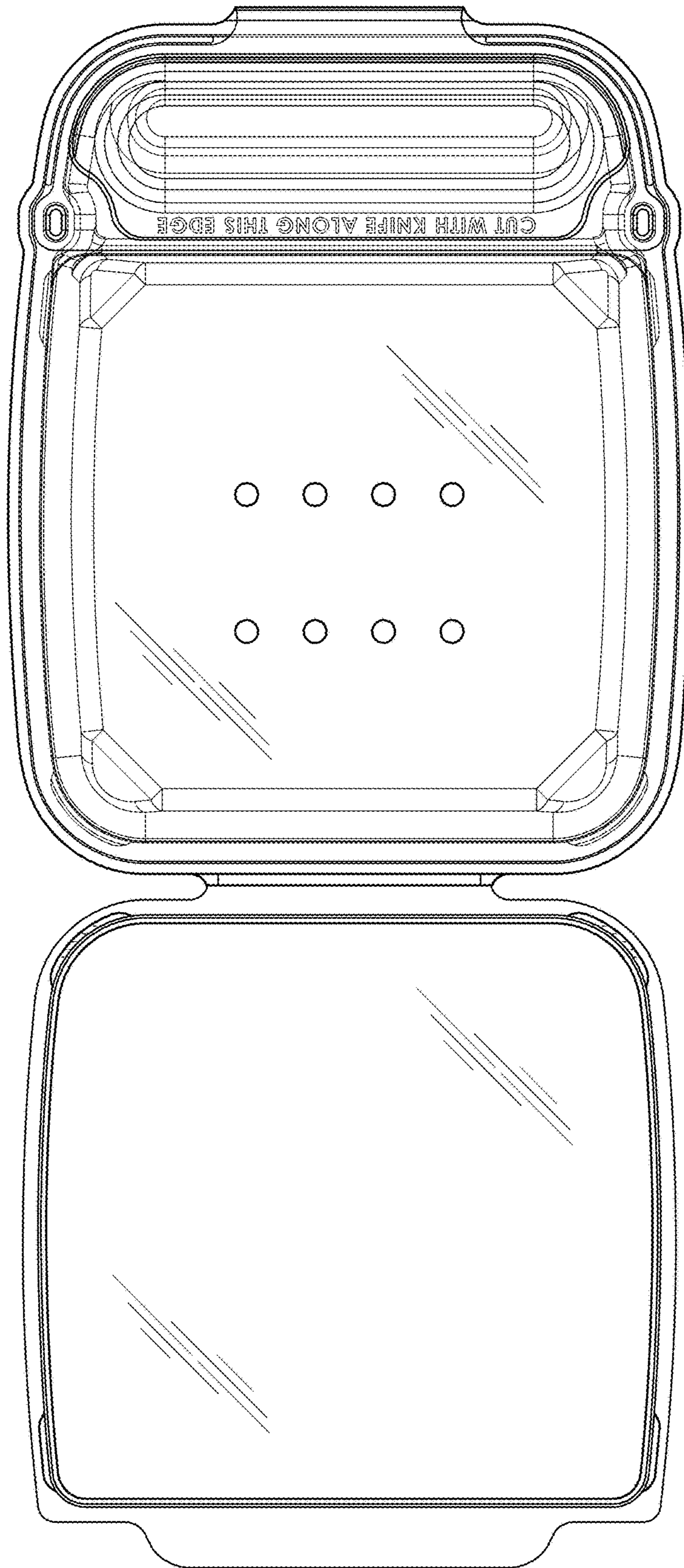


FIG. 10

REPLACEMENT SHEET 9/12

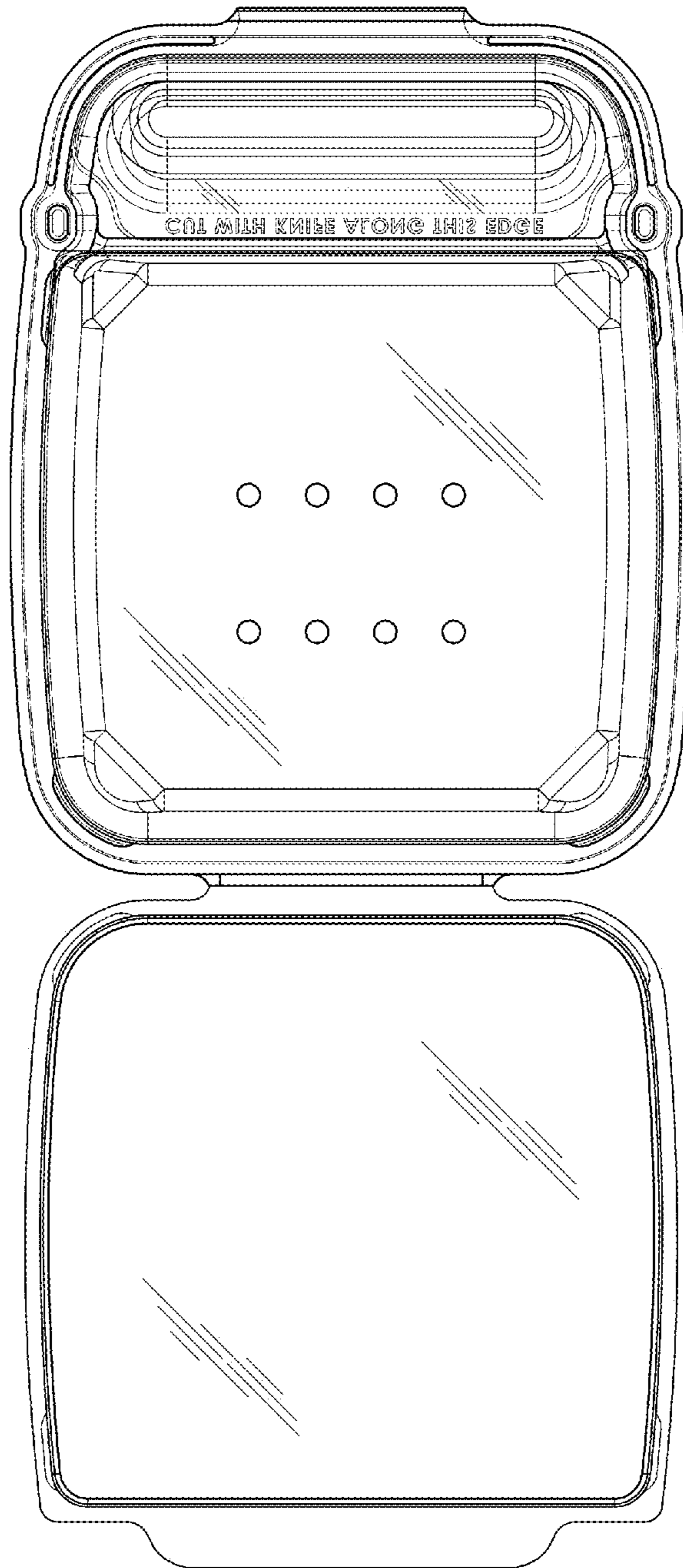


FIG. 11

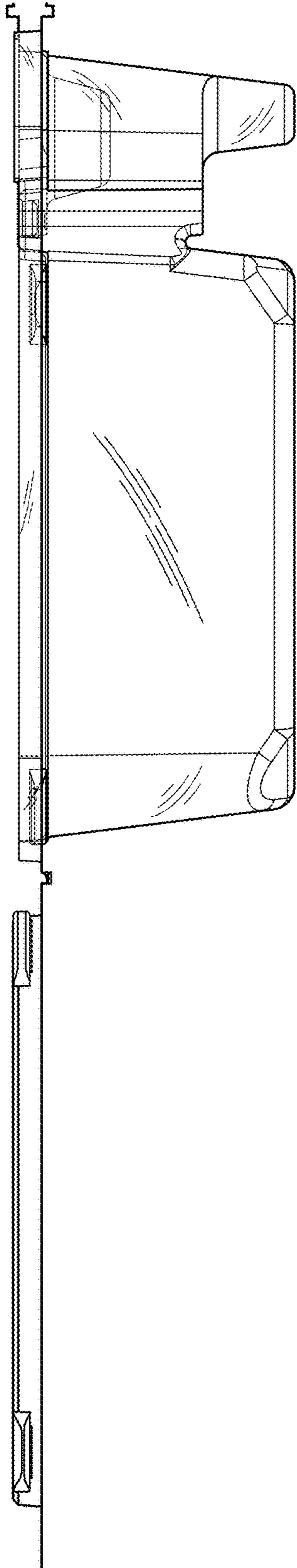


FIG. 12

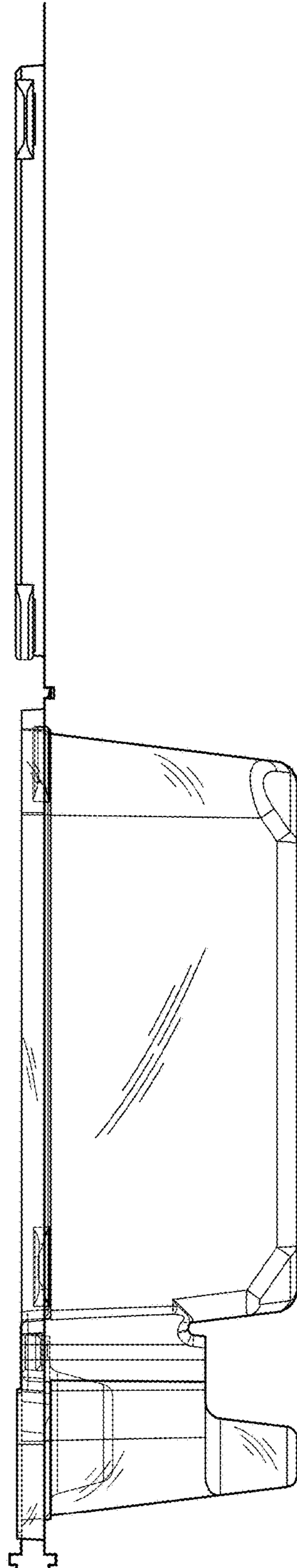


FIG. 13

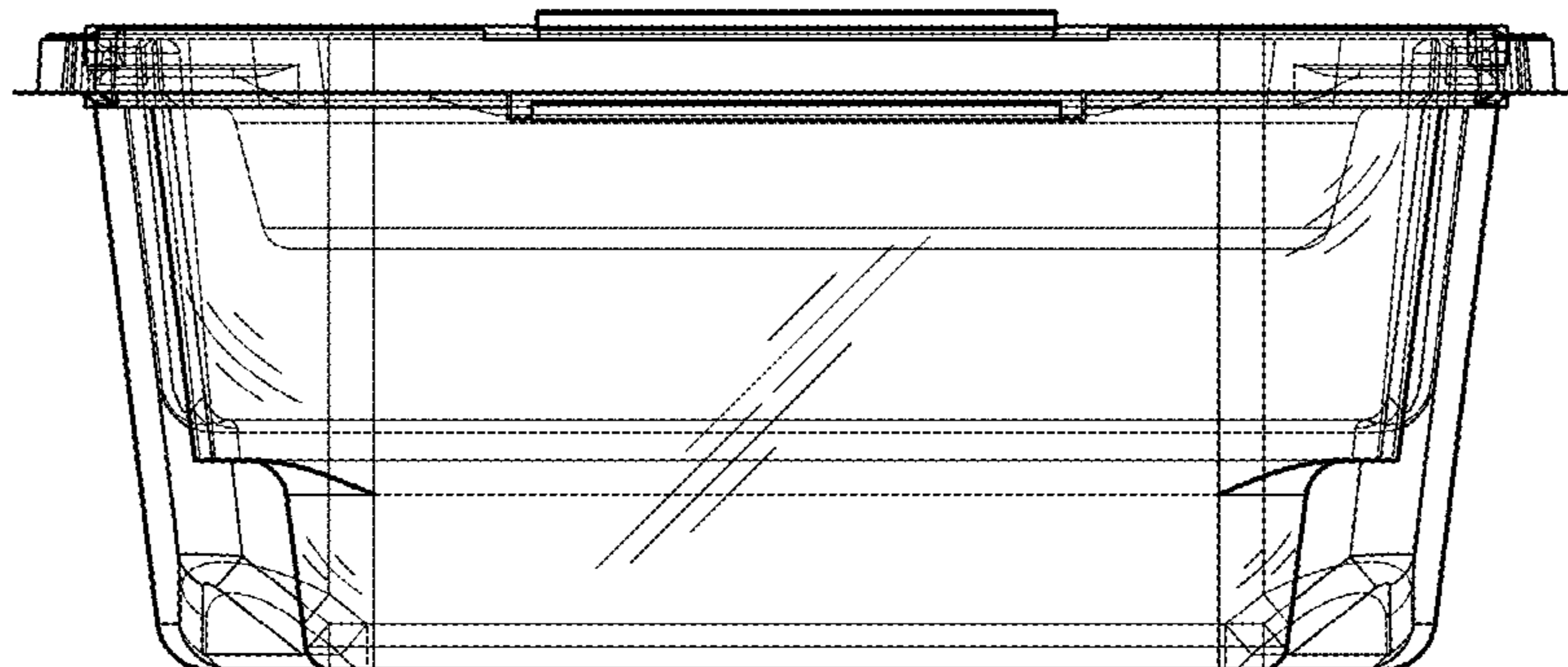


FIG. 14

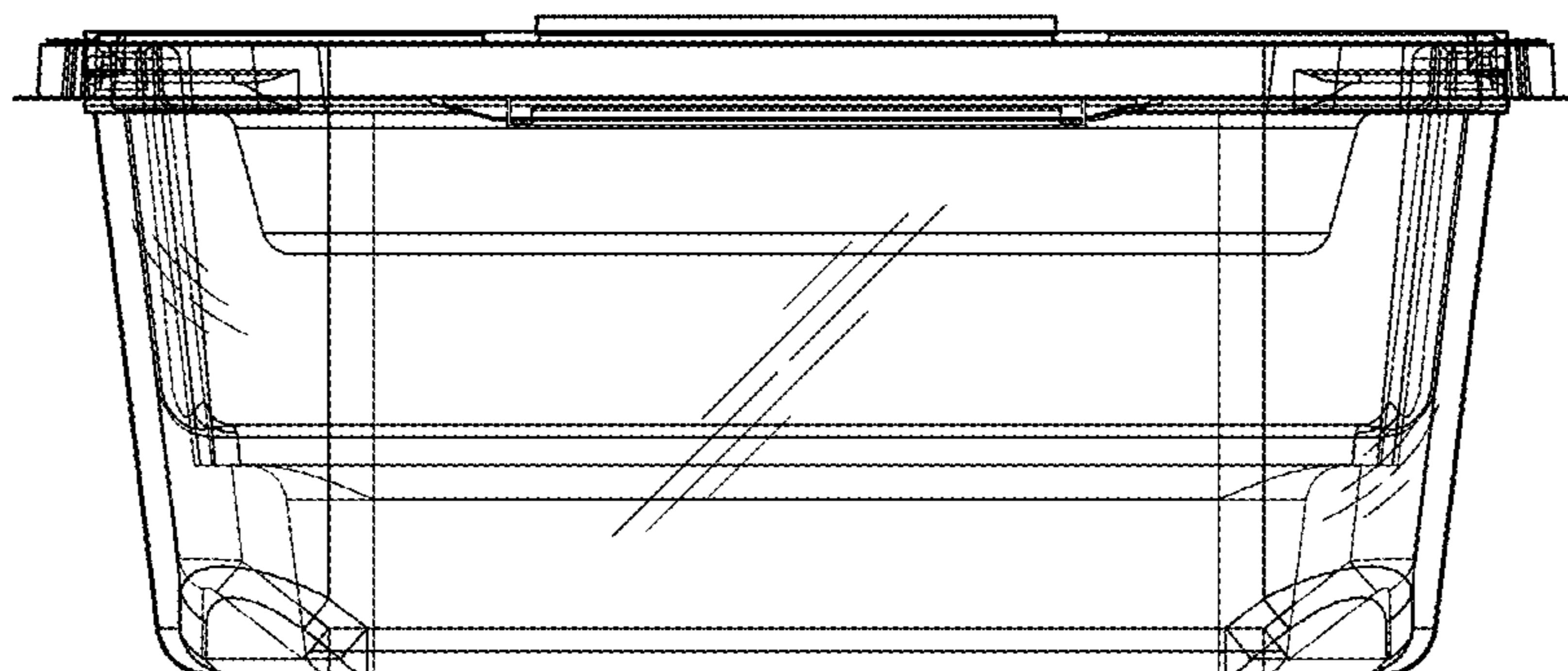


FIG. 15

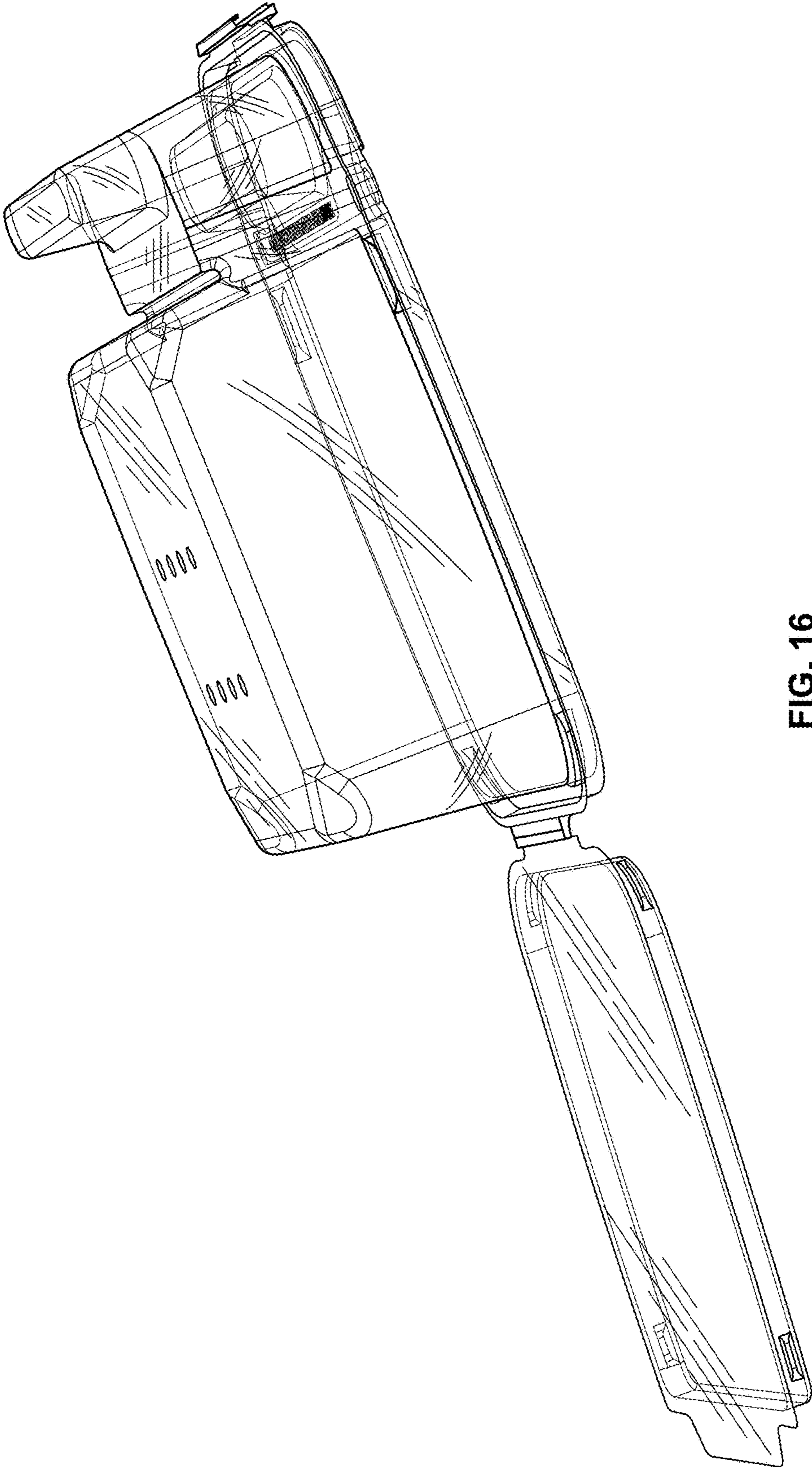


FIG. 16