



US00D814312S

(12) **United States Design Patent**
Lemcke

(10) **Patent No.:** **US D814,312 S**
(45) **Date of Patent:** **** Apr. 3, 2018**

- (54) **CONDIMENT PACKAGE**
 - (71) Applicant: **Michael A. Lemcke**, Mechanicsville, VA (US)
 - (72) Inventor: **Michael A. Lemcke**, Mechanicsville, VA (US)
 - (**) Term: **15 Years**
 - (21) Appl. No.: **29/576,477**
 - (22) Filed: **Sep. 2, 2016**
 - (51) **LOC (11) Cl.** **09-05**
 - (52) **U.S. Cl.**
USPC **D9/702**
 - (58) **Field of Classification Search**
USPC D9/702-703, 707, 709, 711, 713, D9/430-431, 761, 414-417, 695-696, D9/737, 419, 424-426, 734; 426/106, 426/115, 119, 120, 122, 132, 134, 108, 426/112; 222/82, 92, 107, 527, 129, 215; 206/229, 484, 527, 271-273, 390, 438, 206/449, 820; D24/118, 207, 115, 119; 383/207, 200, 63, 209, 113, 108; 229/87.01, 87.05, 87.03, 87.14, 87.08; D3/202, 203.1, 303
CPC B65D 35/00; B65D 35/02; B65D 35/04; B65D 35/22; B65D 35/28; B65D 35/08; B65D 47/00; B65D 47/02; B65D 47/36; B65D 47/10; B65D 85/72; B65D 81/24; B65D 81/34; B65D 27/36; B65D 27/00; B65D 27/34; B65D 27/38; B65D 21/00; B65D 21/02; B65D 21/0233; B65D 17/50; B65D 17/04; B65D 17/08; B65D 17/16
- See application file for complete search history.

- 5,417,364 A 5/1995 Shaw
- 5,429,262 A 7/1995 Sharkey
- 5,540,333 A 7/1996 Gonzalez
- 5,626,283 A 5/1997 Mellon
- 5,630,544 A 5/1997 Shane
- 5,720,429 A 2/1998 Cordle
- 6,076,700 A 6/2000 Manges
- 6,102,208 A 8/2000 Huang
- 6,119,930 A 9/2000 Lunstra
- 6,123,214 A 9/2000 Goebel
- 6,216,946 B1 4/2001 Cai

(Continued)

FOREIGN PATENT DOCUMENTS

WO 2007034466 A1 3/2007

Primary Examiner — Abraham Bahta

(74) *Attorney, Agent, or Firm* — Patent Law of Virginia, PLLC; Brian J. Teague

(57) **CLAIM**

I claim the ornamental design for a condiment package, as shown and described.

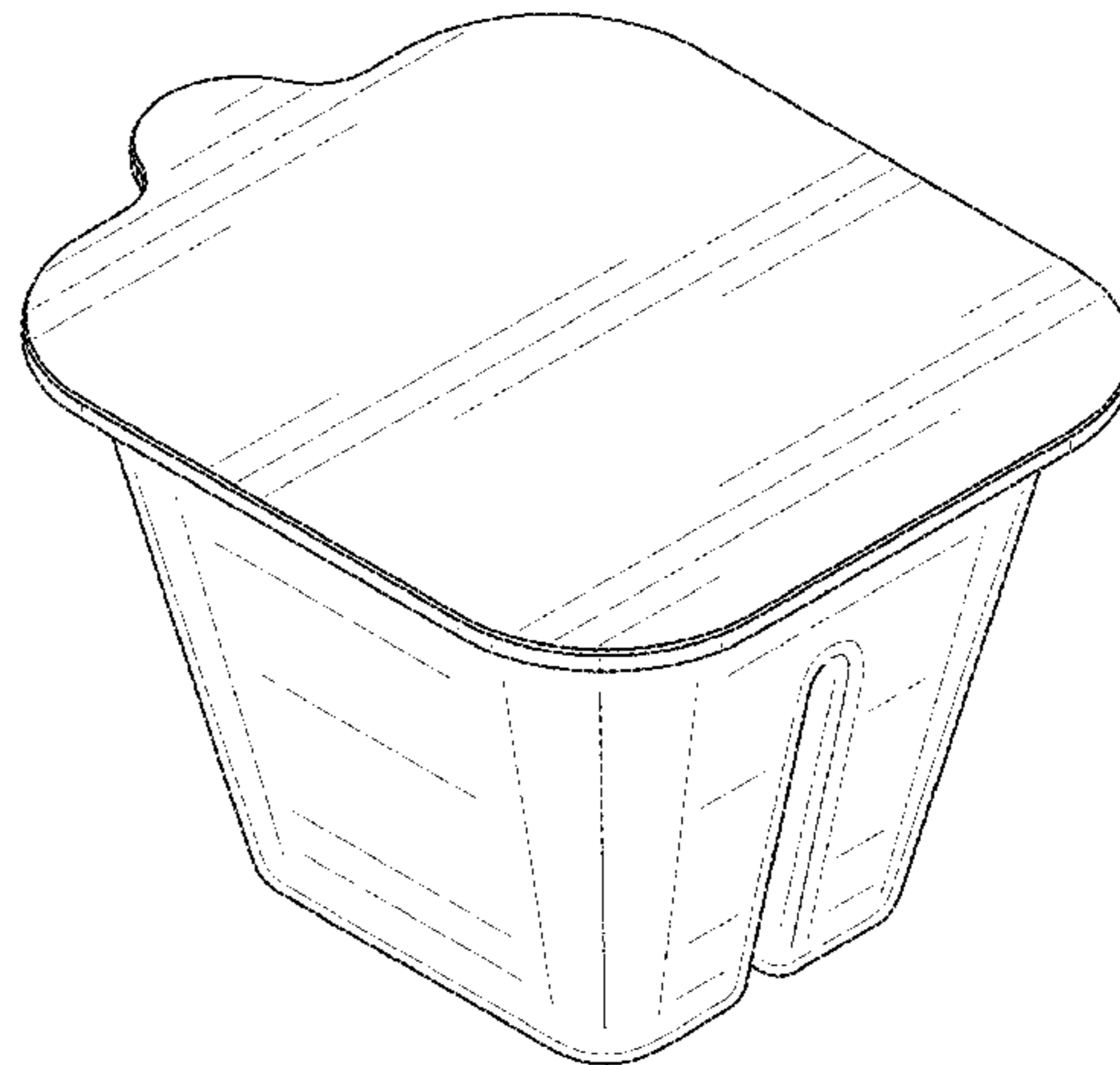
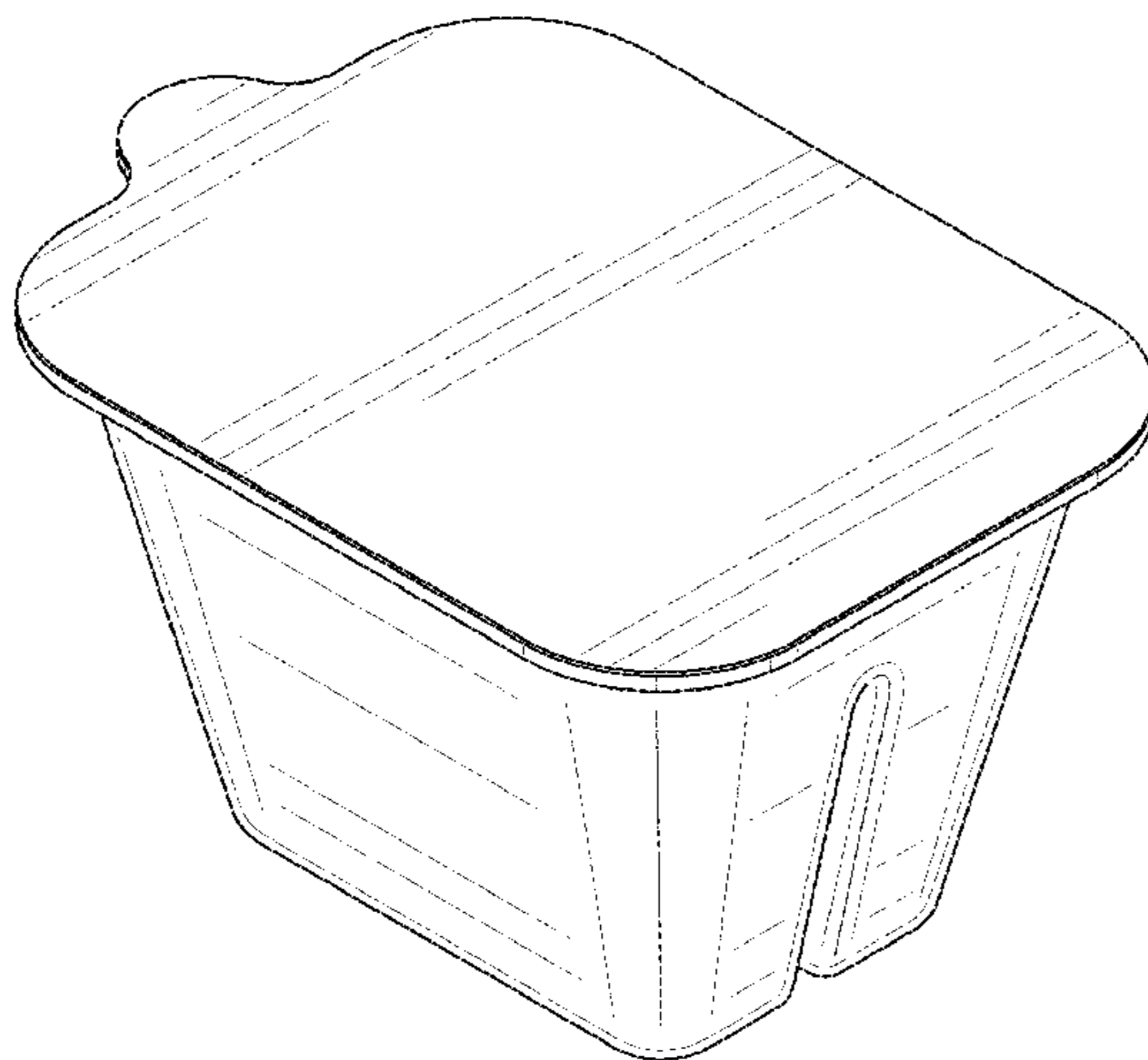
DESCRIPTION

FIG. 1 is a perspective view of the condiment package, showing my new design.
 FIG. 2 is a left side view thereof.
 FIG. 3 is a right side view thereof.
 FIG. 4 is a rear view thereof.
 FIG. 5 is a front view thereof.
 FIG. 6 is a top view thereof.
 FIG. 7 is a bottom view thereof.
 FIG. 8 is a perspective view of an alternative embodiment of a condiment package.
 FIG. 9 is a left side view thereof.
 FIG. 10 is a right side view thereof.
 FIG. 11 is a rear view thereof.
 FIG. 12 is a front view thereof.
 FIG. 13 is a top view thereof; and,
 FIG. 14 is a bottom view thereof.

1 Claim, 8 Drawing Sheets

(56) **References Cited**
U.S. PATENT DOCUMENTS

- 4,955,528 A 9/1990 Schluckebier
- 5,242,071 A 9/1993 Goebel



(56)

References Cited

U.S. PATENT DOCUMENTS

6,360,944	B1	3/2002	Gorman	
D582,218	S *	12/2008	Curtin	D7/540
D651,096	S *	12/2011	Nakagiri	D7/400
D651,470	S *	1/2012	Henderson	D7/554.3
D682,087	S *	5/2013	Bourguignon	D9/417
D685,630	S *	7/2013	Birchmeier	D9/425
D710,213	S *	8/2014	Birchmeier	D9/711
D747,187	S *	1/2016	Cochran	D9/416

* cited by examiner

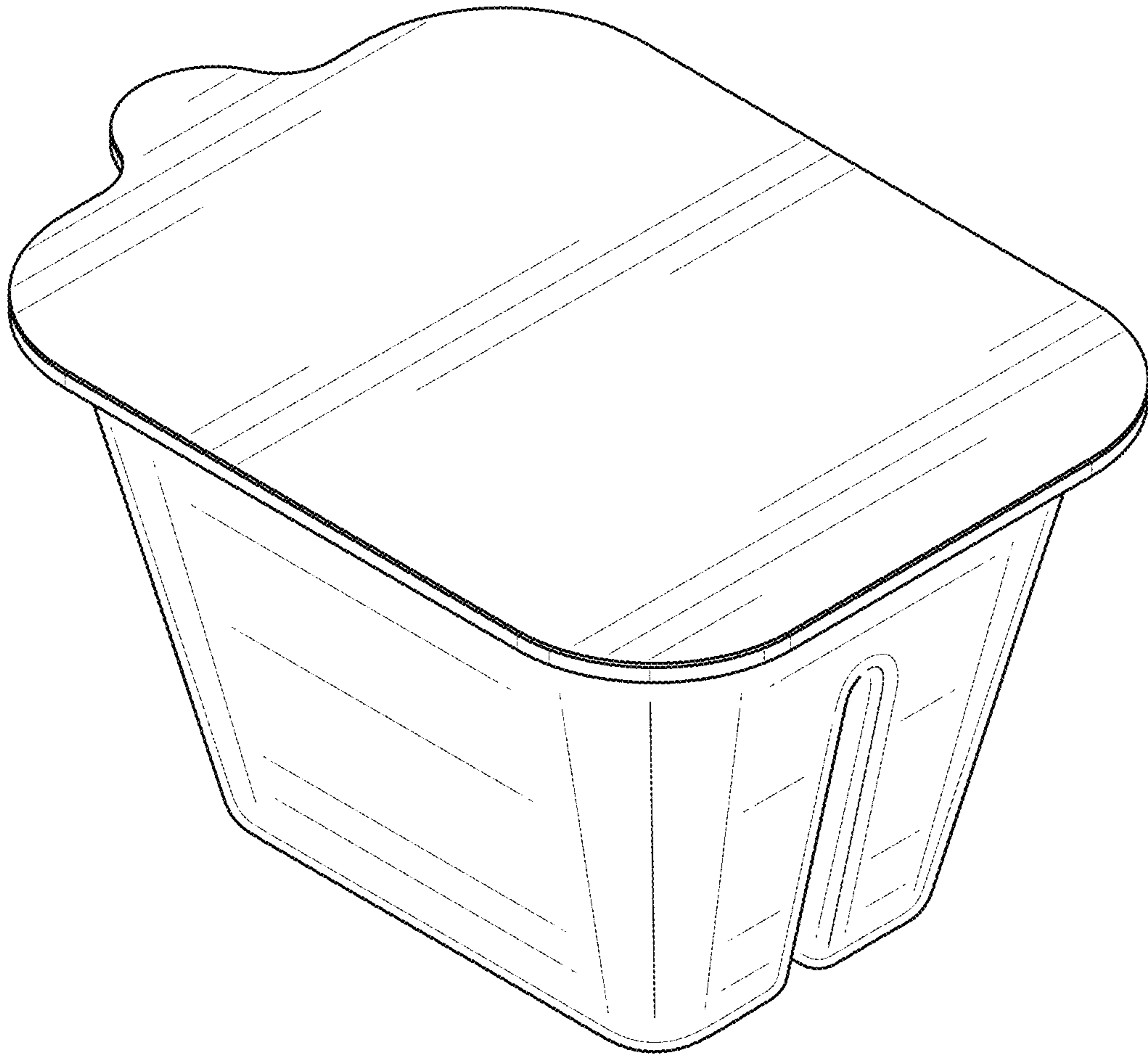


FIG. 1

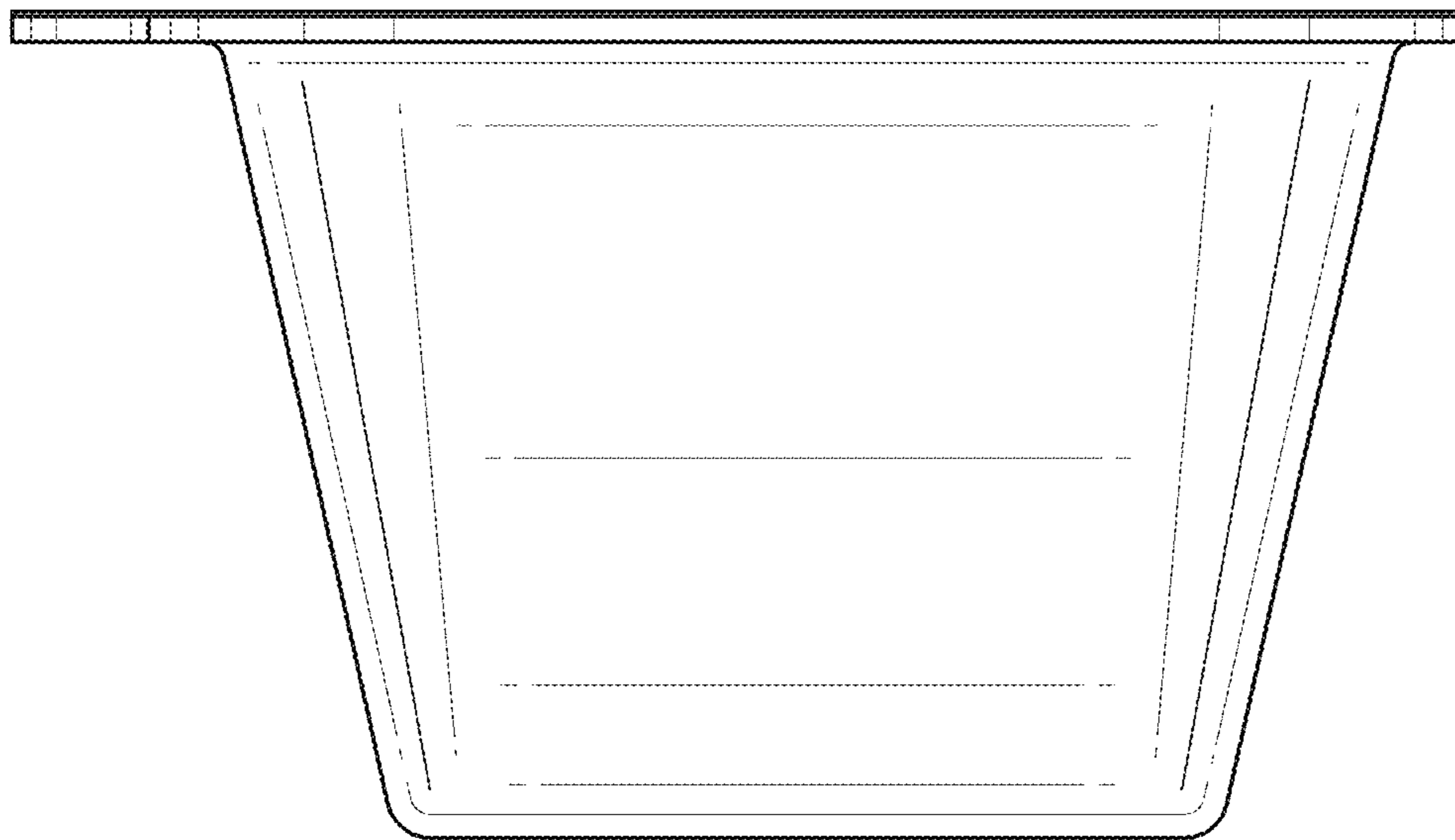


FIG. 2

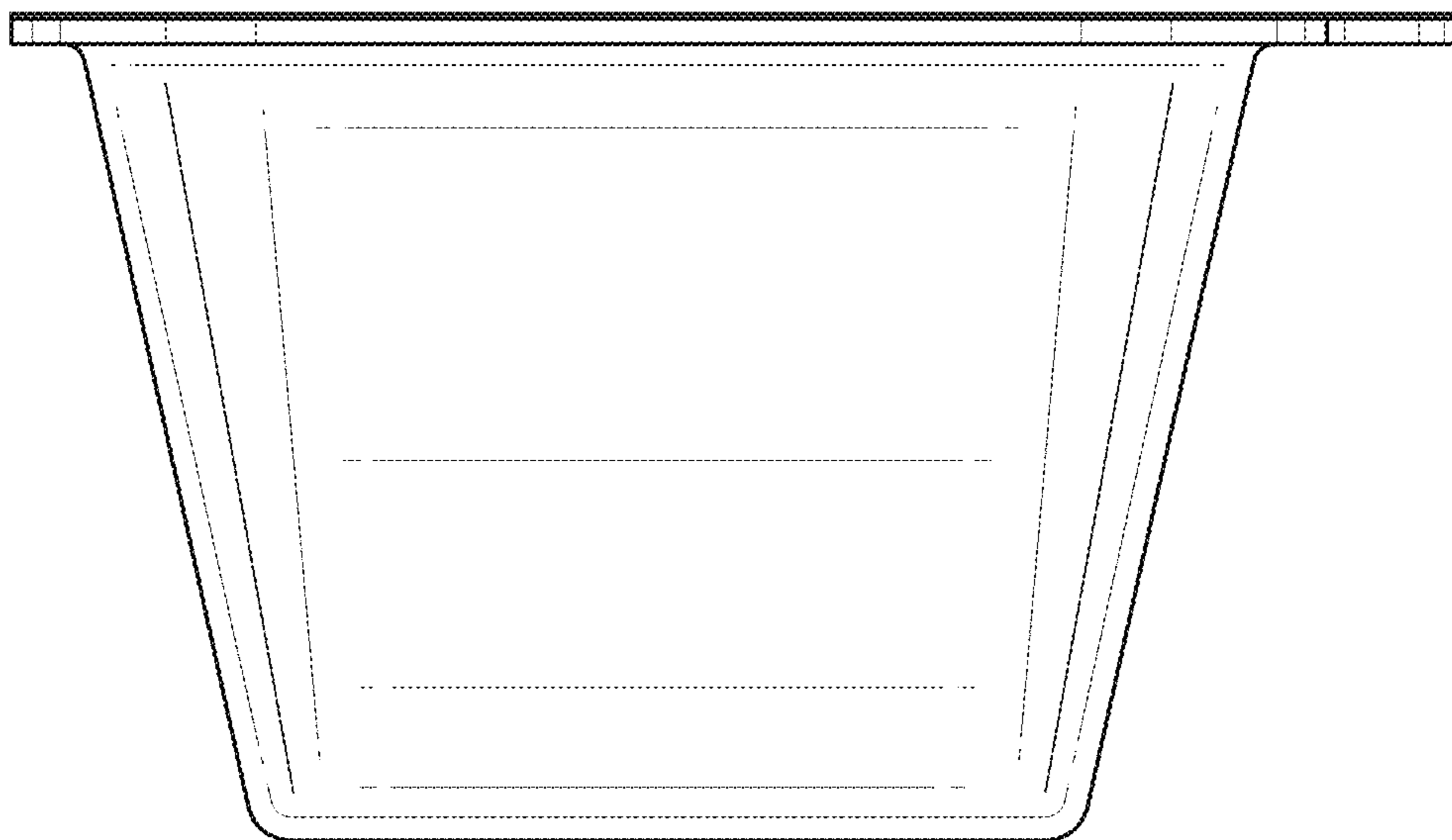


FIG. 3

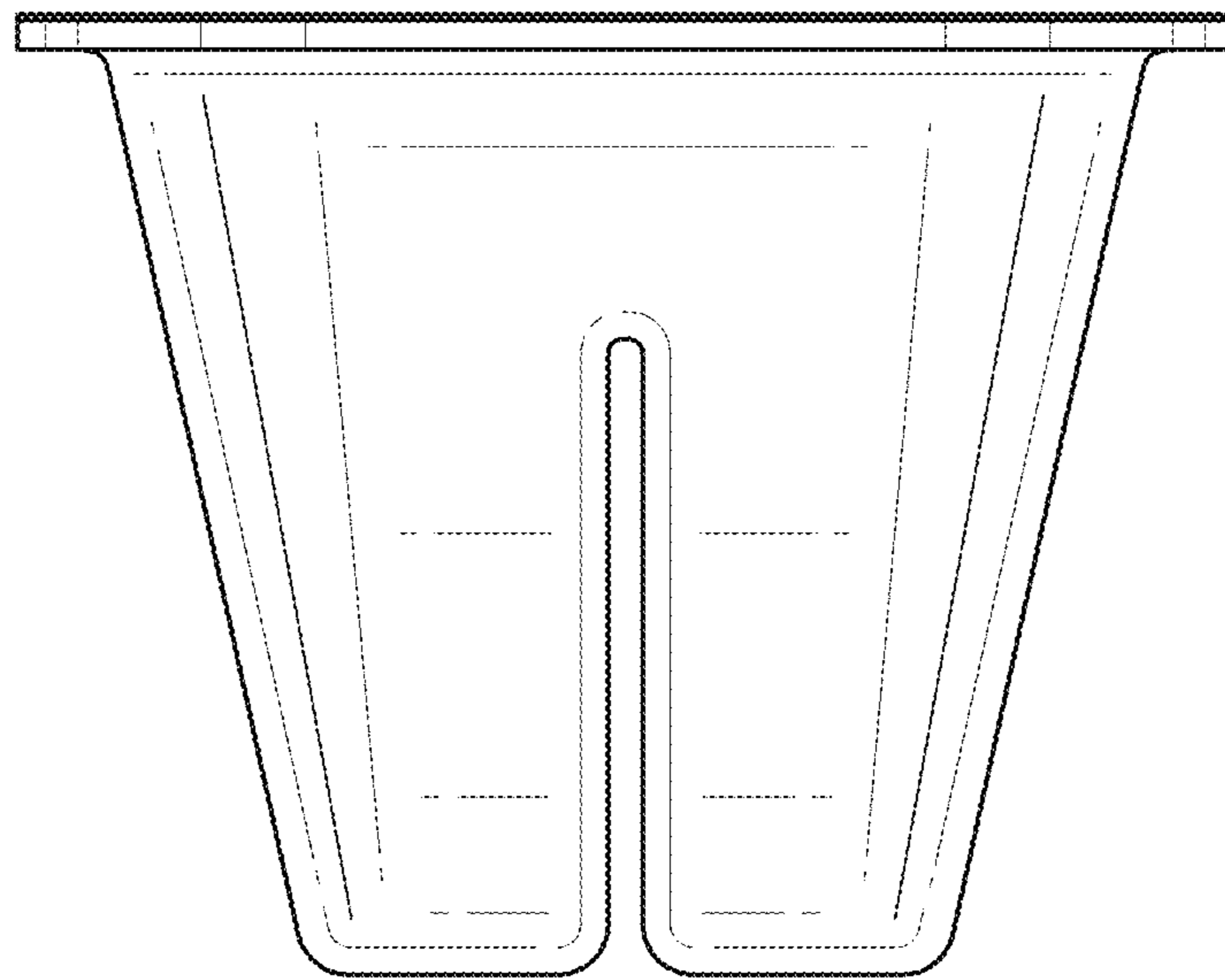


FIG. 4

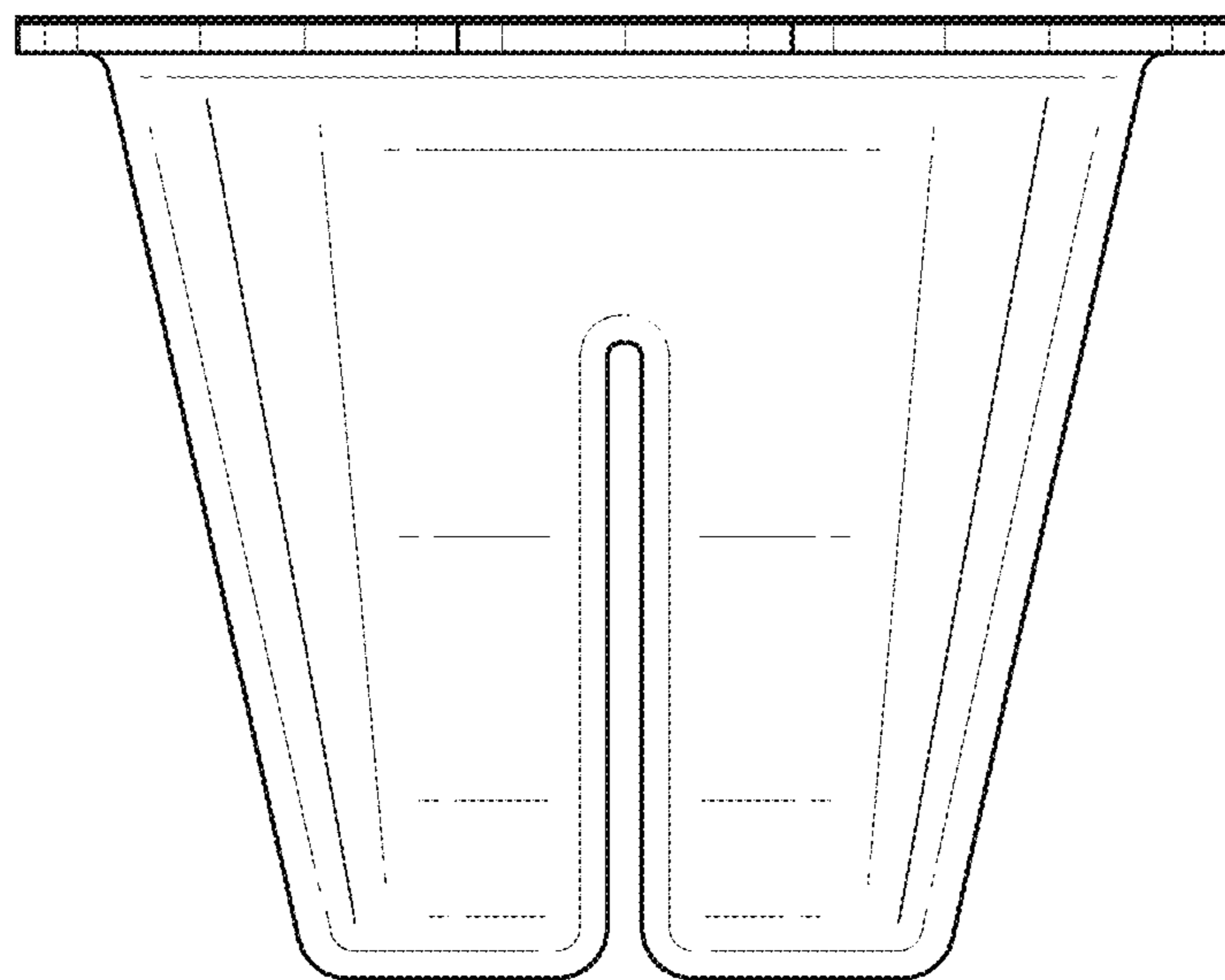


FIG. 5

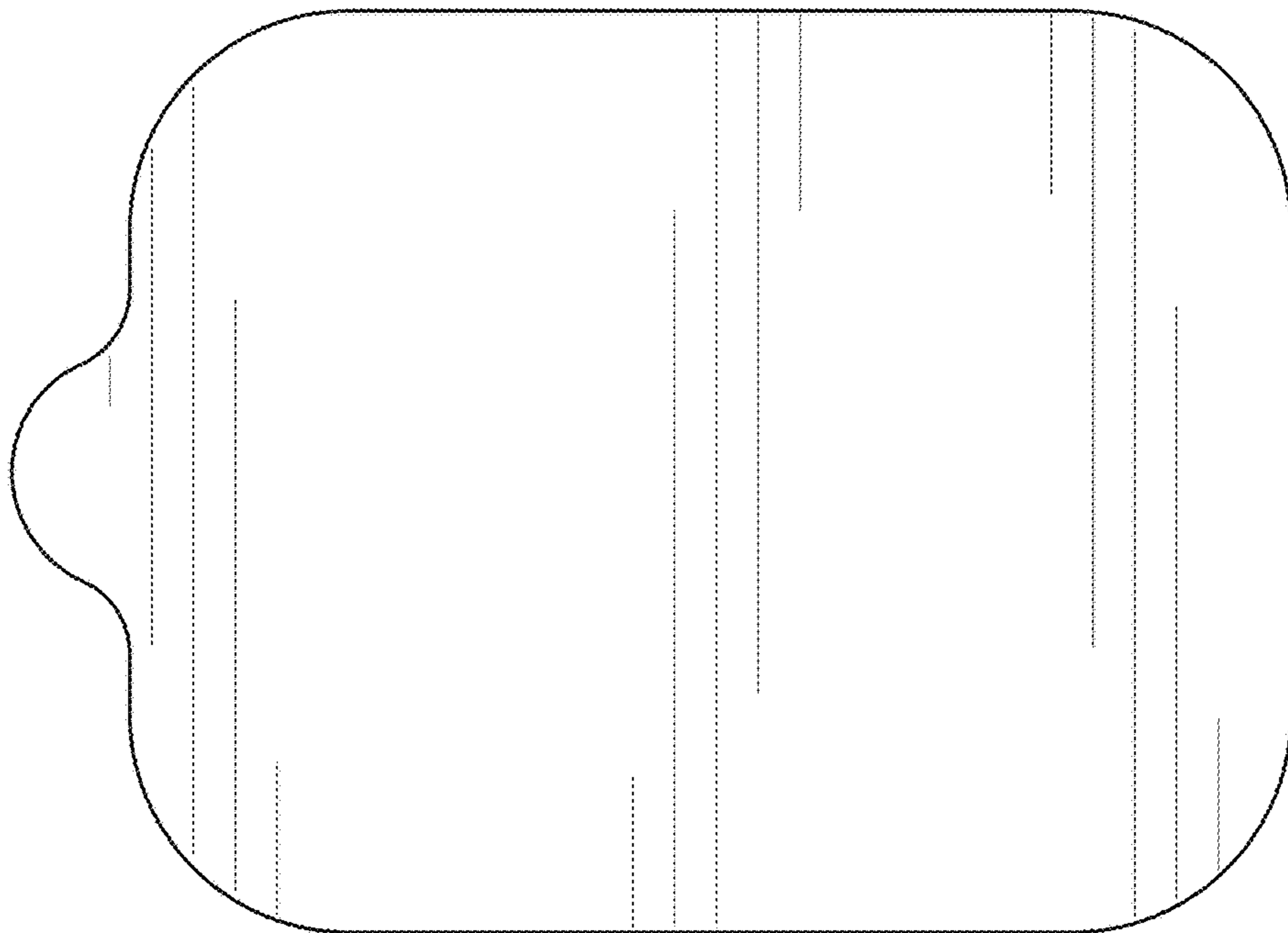


FIG. 6

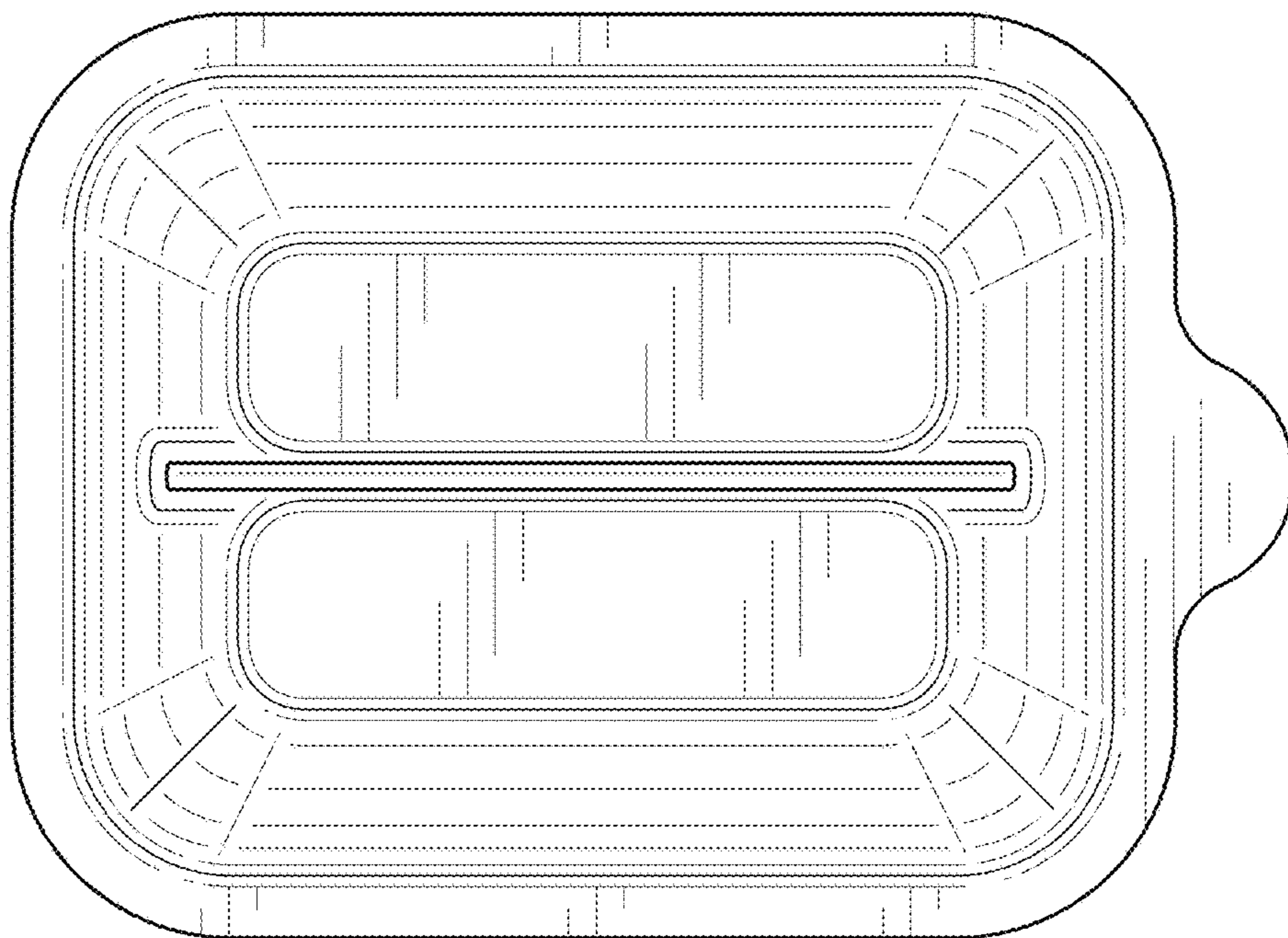


FIG. 7

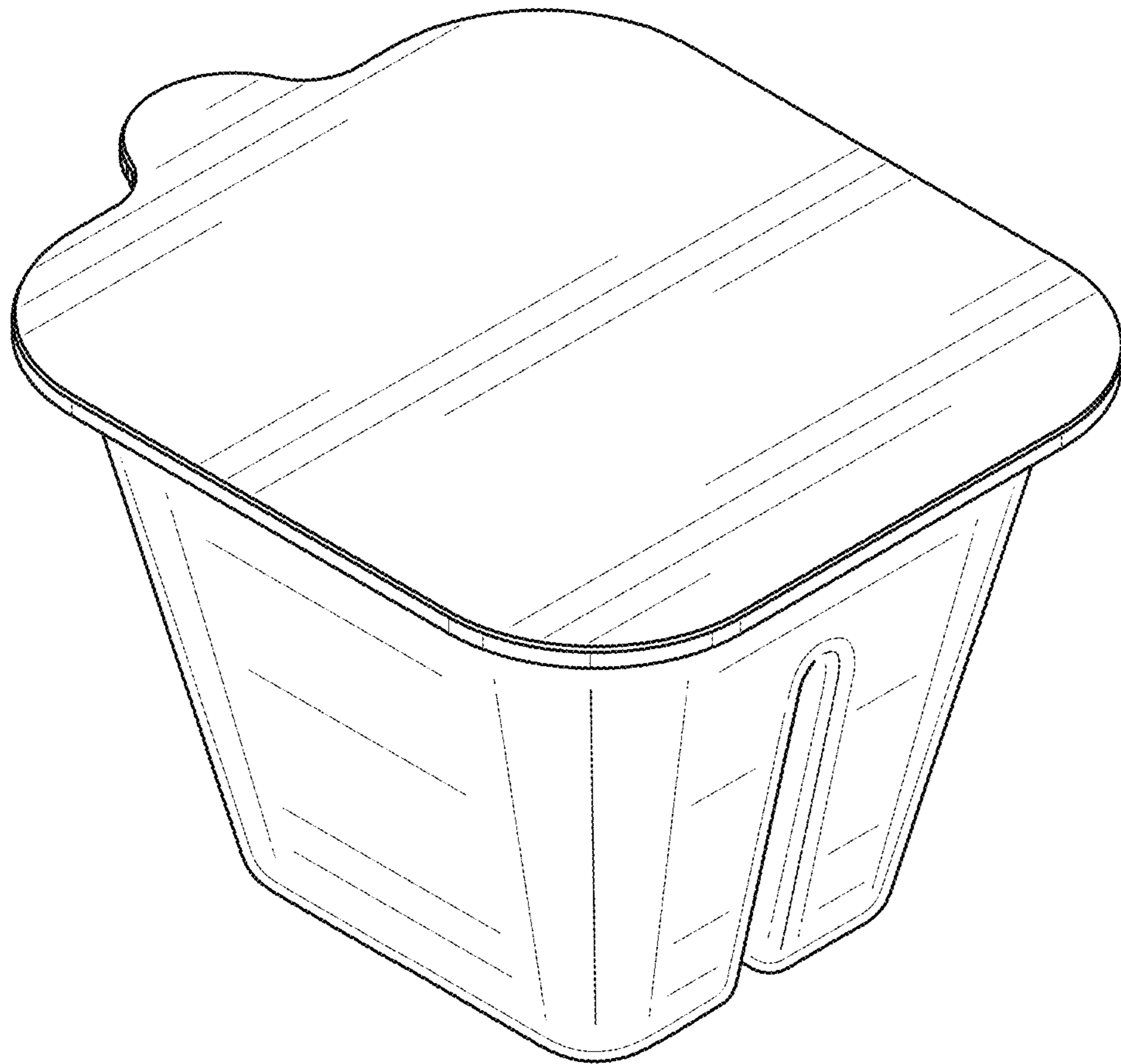


FIG. 8

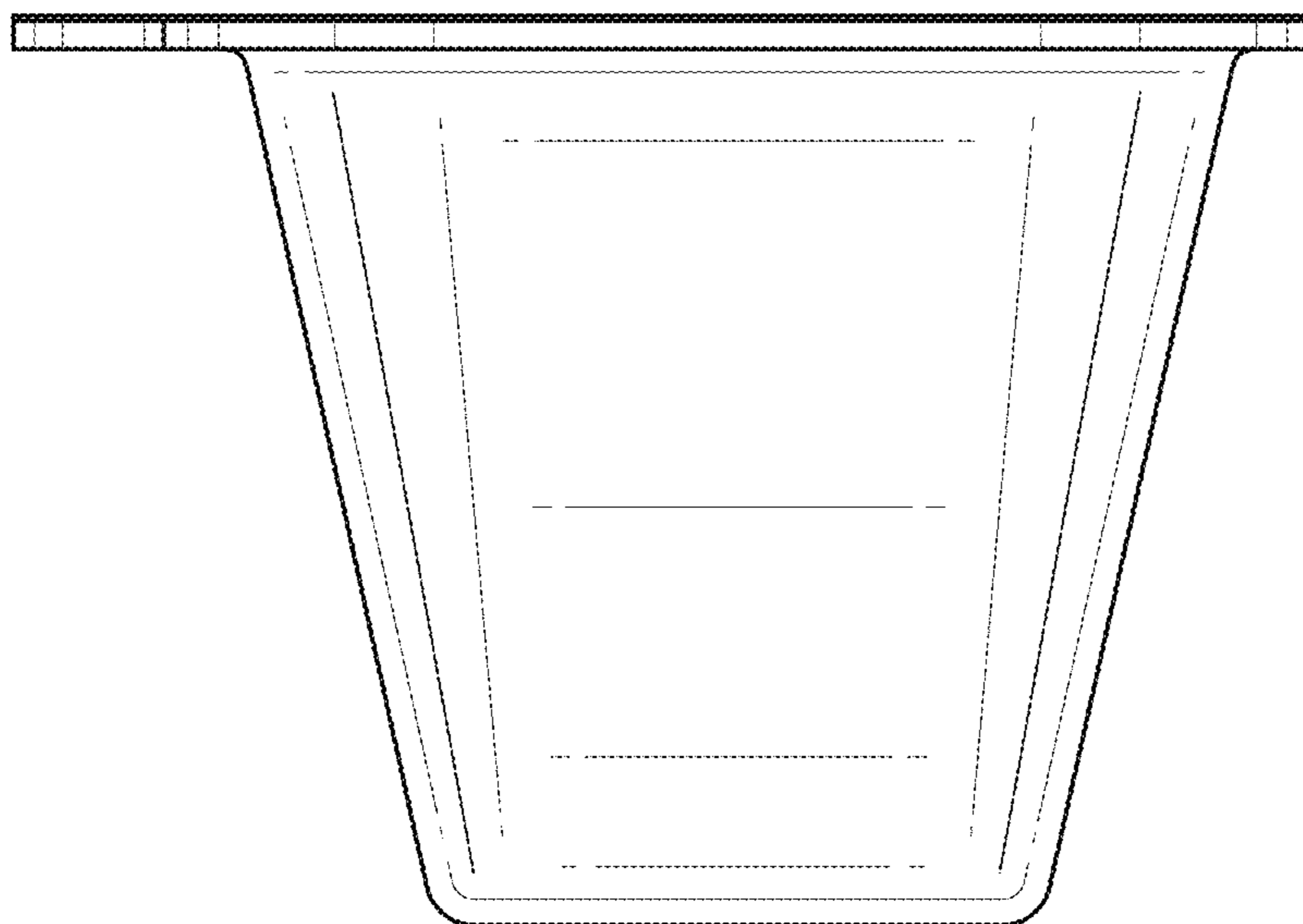


FIG. 9

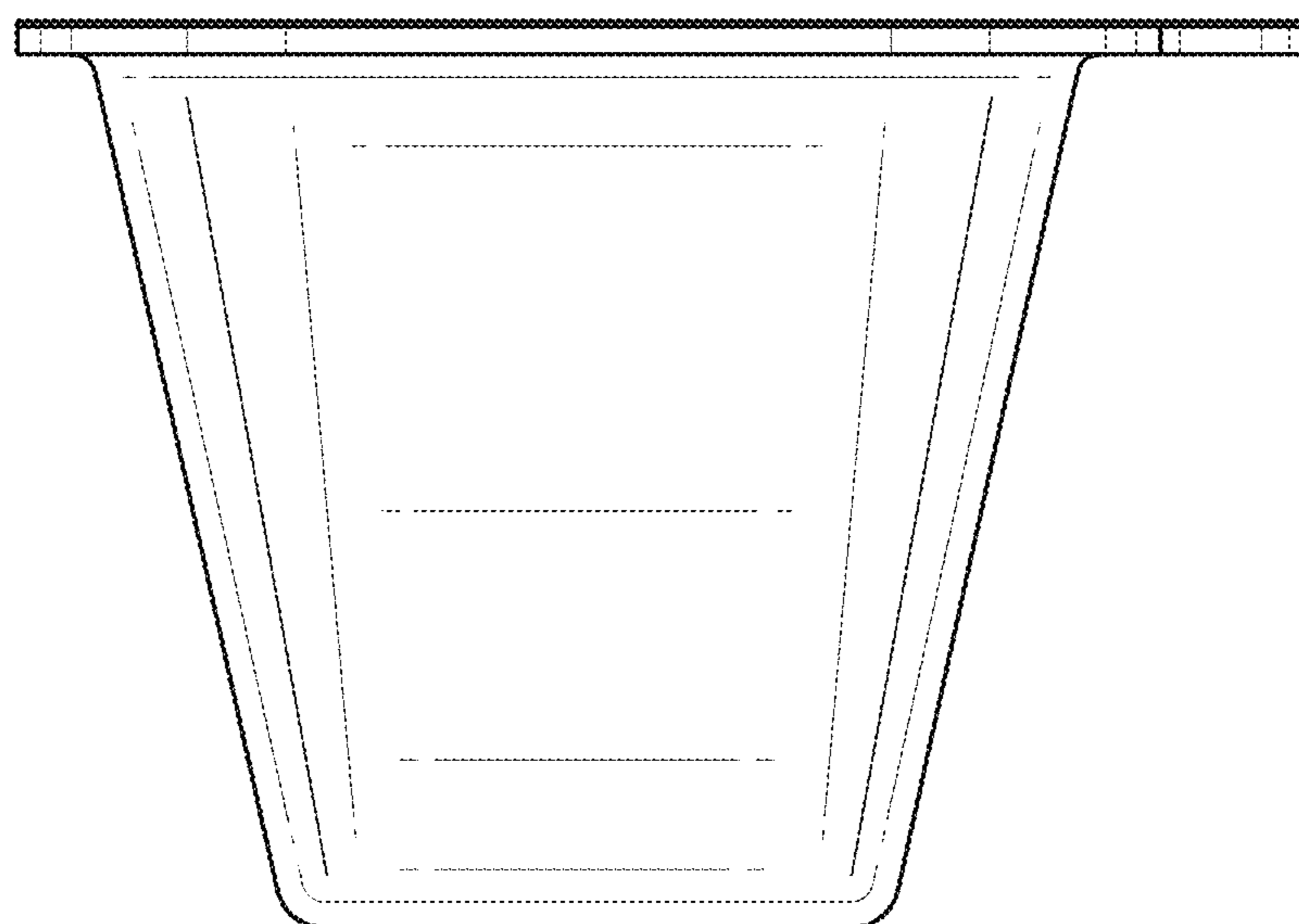


FIG. 10

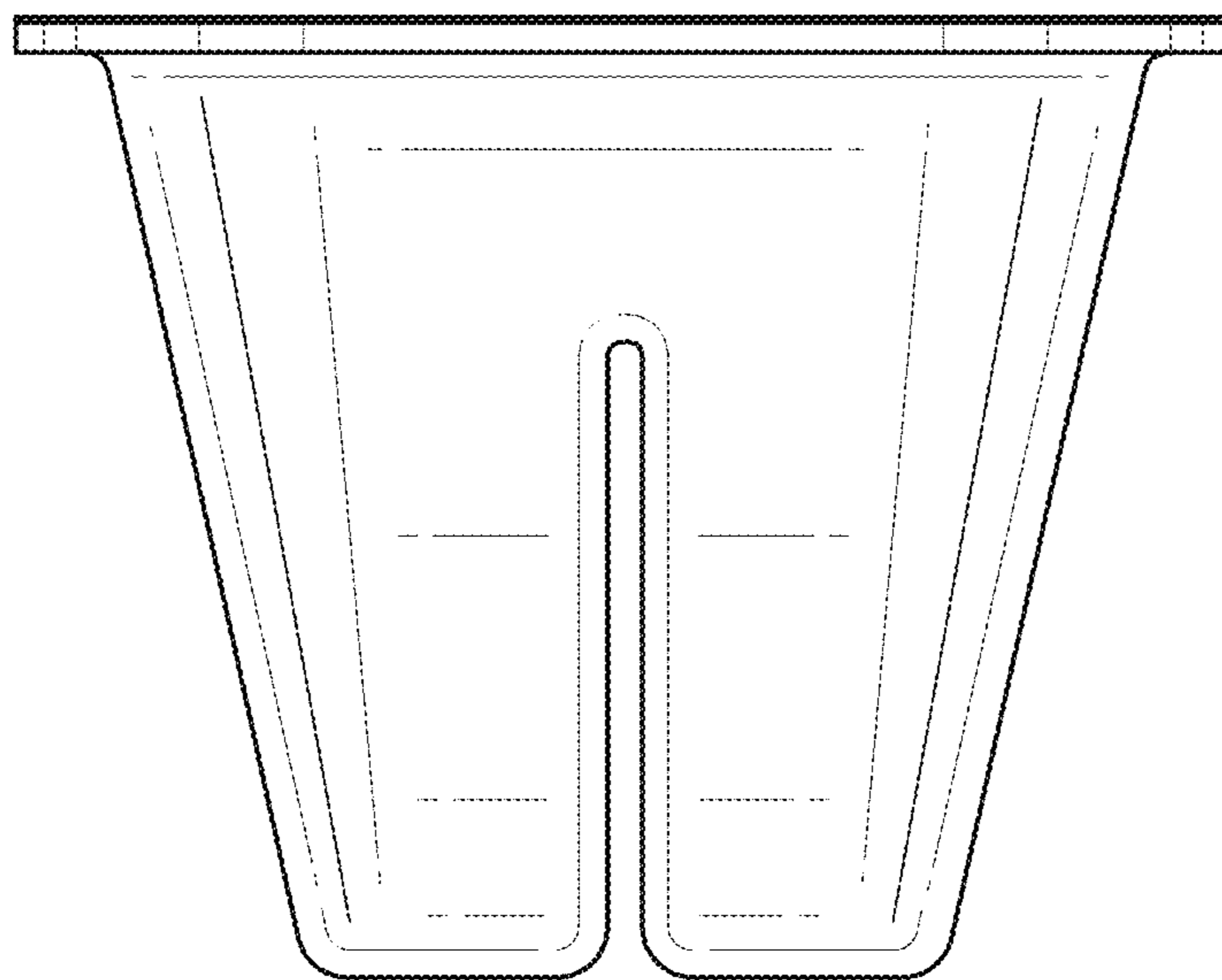


FIG. 11

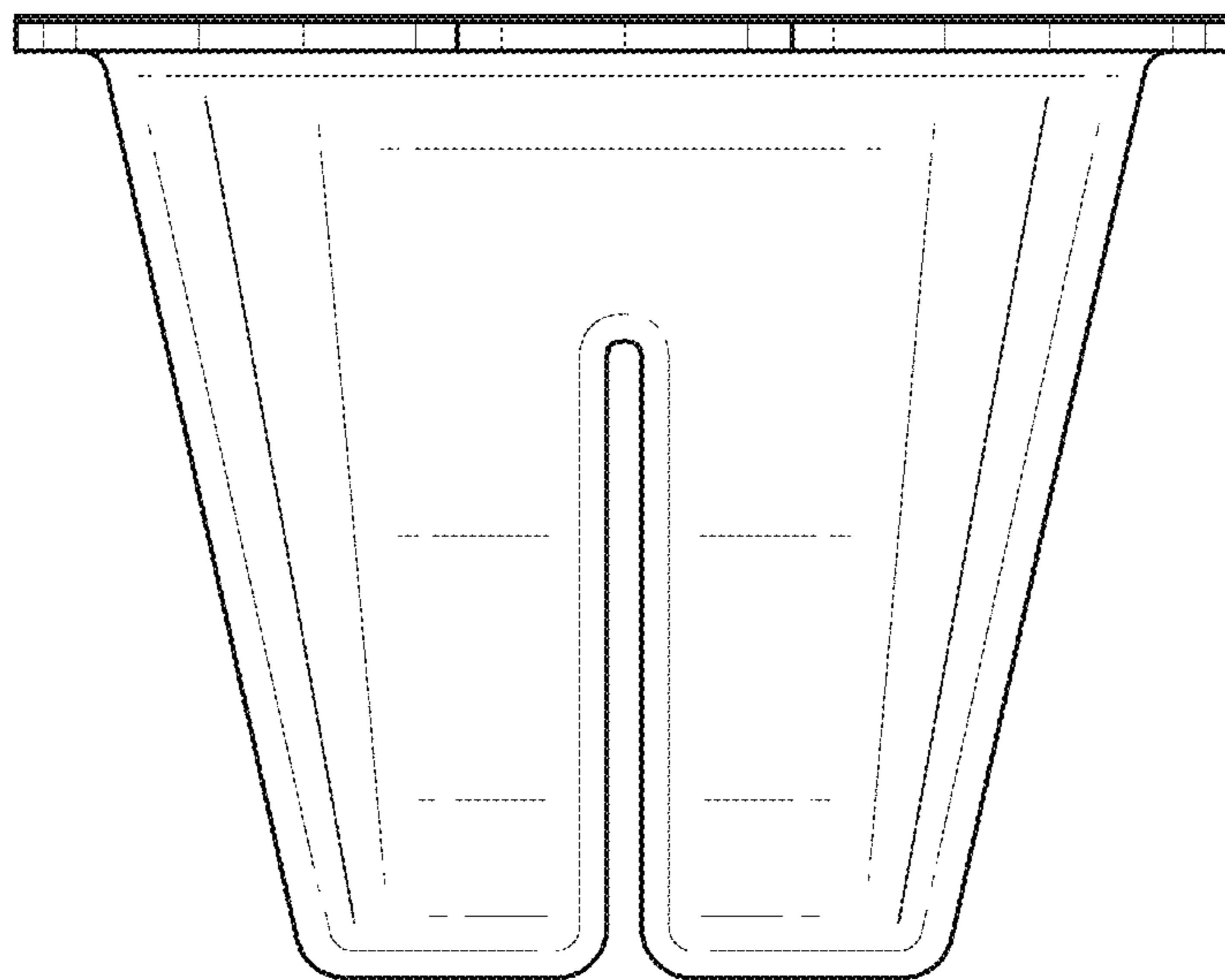


FIG. 12

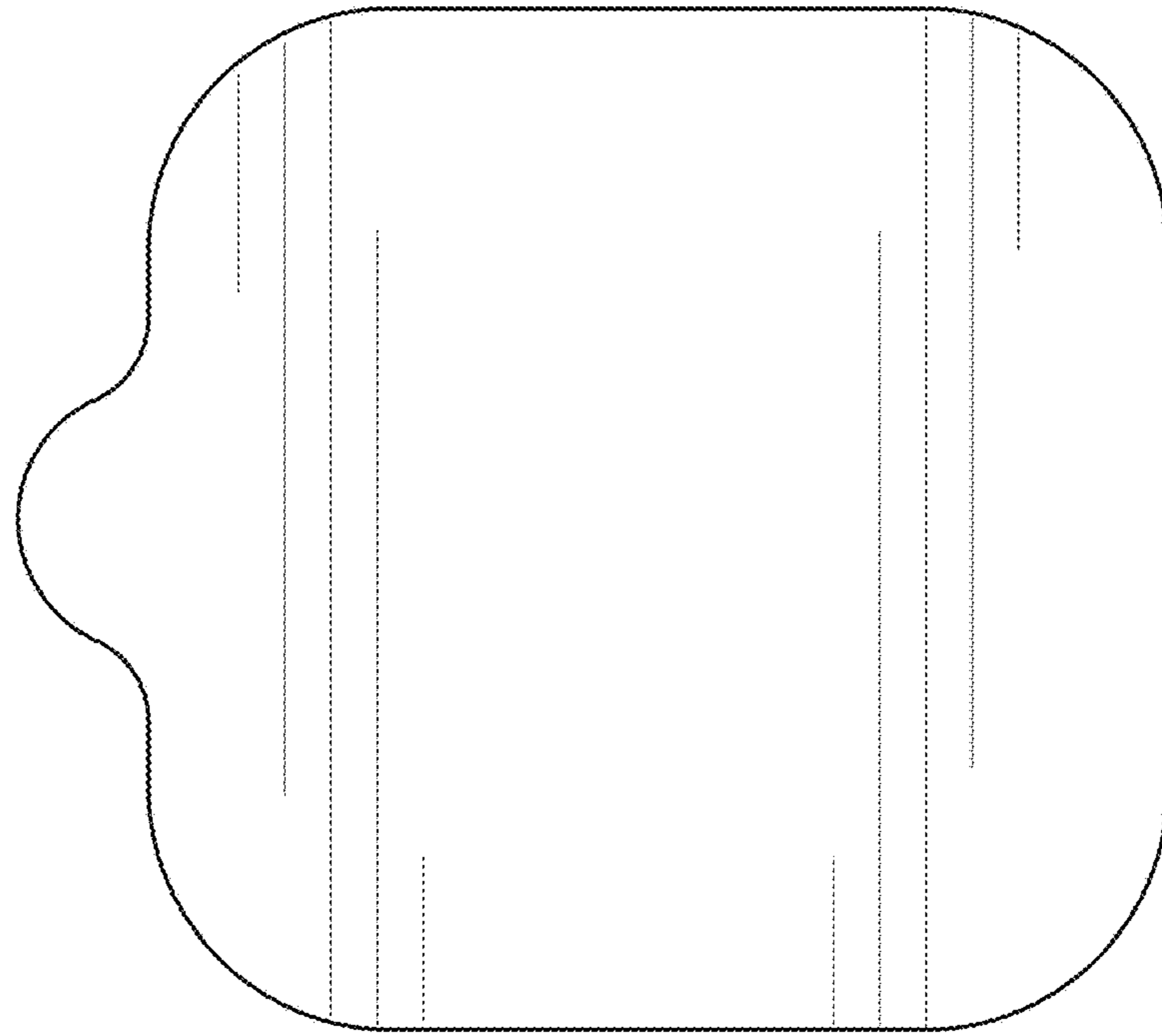


FIG. 13

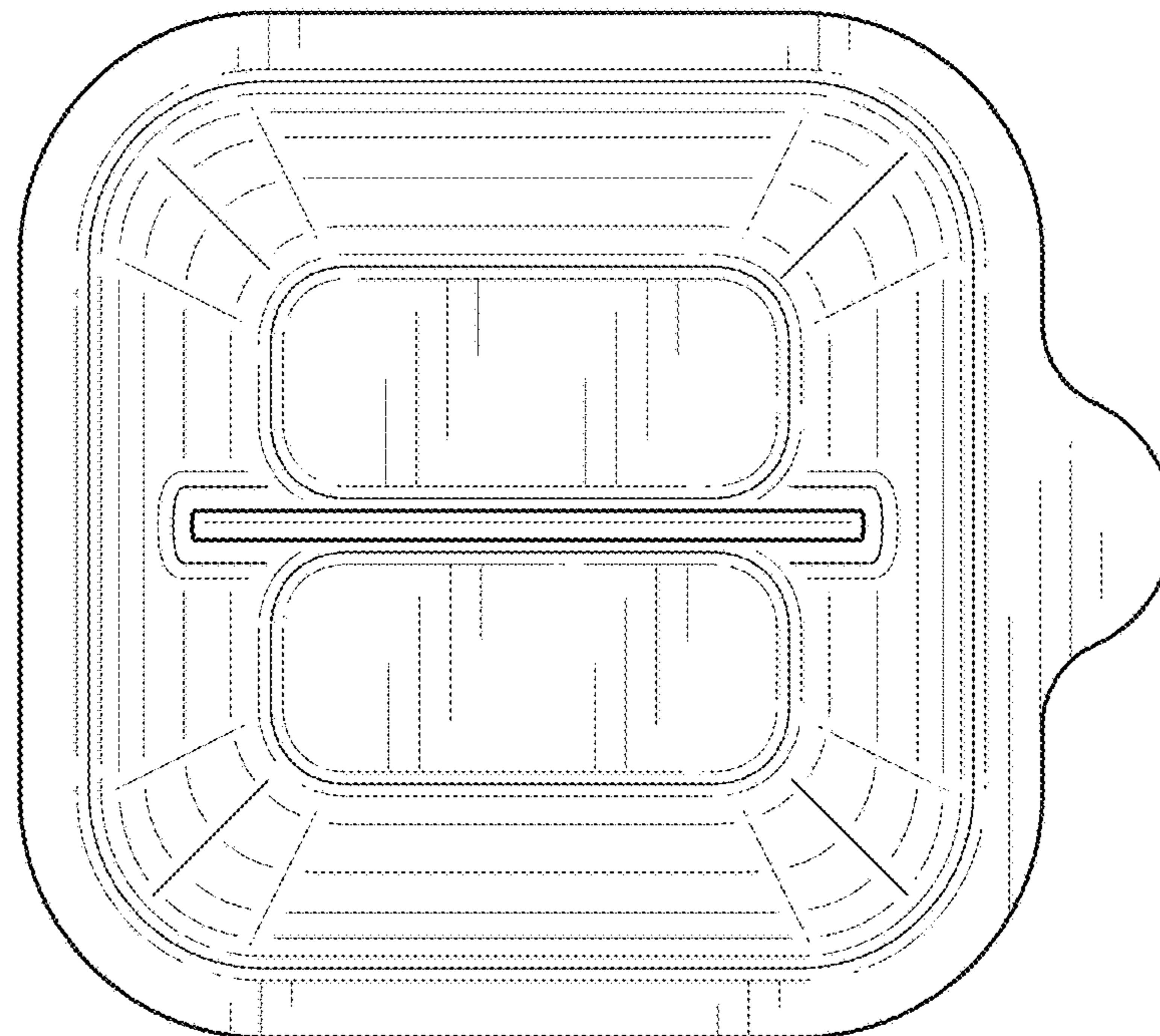


FIG. 14