



US00D814310S

(12) **United States Design Patent**
Volpe

(10) **Patent No.:** **US D814,310 S**

(45) **Date of Patent:** **** Apr. 3, 2018**

(54) **INTERIOR BEDROOM DESIGN**
CONSULTING SERVICES DISPLAY BOX

(71) Applicant: **Holly Volpe**, Colts Neck, NJ (US)

(72) Inventor: **Holly Volpe**, Colts Neck, NJ (US)

(**) Term: **15 Years**

(21) Appl. No.: **29/583,208**

(22) Filed: **Nov. 3, 2016**

(51) **LOC (11) Cl.** **09-01**

(52) **U.S. Cl.**

USPC **D9/642**; D21/520

(58) **Field of Classification Search**

USPC D3/270, 271.1–271.7; D7/510, 514–520,
D7/599, 604, 613, 619.2, 623, 628;
D9/600, 642, 414–434; 206/457, 459.5,
206/527; 215/381–384, 400; 229/116.1;
D21/520

CPC B65D 5/4258; B65D 81/60; B65D 81/365;
B65D 81/366; B65D 81/368; B65D
2203/00; B65D 2203/02; B65D 67/00;
A63H 81/16; A63H 3/005

See application file for complete search history.

(56) **References Cited**

U.S. PATENT DOCUMENTS

D28,043 S * 12/1897 Jones D9/642
D28,044 S * 12/1897 Jones D9/642
961,331 A * 6/1910 Young A63H 3/005
229/103
D70,885 S * 8/1926 Medina D21/520
D146,239 S * 1/1947 Ungemah D9/642

D260,147 S * 8/1981 Thomas D21/520
D309,642 S * 7/1990 MacVeigh D21/520
5,605,279 A * 2/1997 Adamek B65D 5/3621
229/112
D490,122 S * 5/2004 Box D21/520
D554,496 S * 11/2007 Magener D9/432
D568,734 S * 5/2008 Magener D9/418
D568,735 S * 5/2008 Magener D9/418

* cited by examiner

Primary Examiner — Sandra L Morris

(74) *Attorney, Agent, or Firm* — Charles I. Brodsky

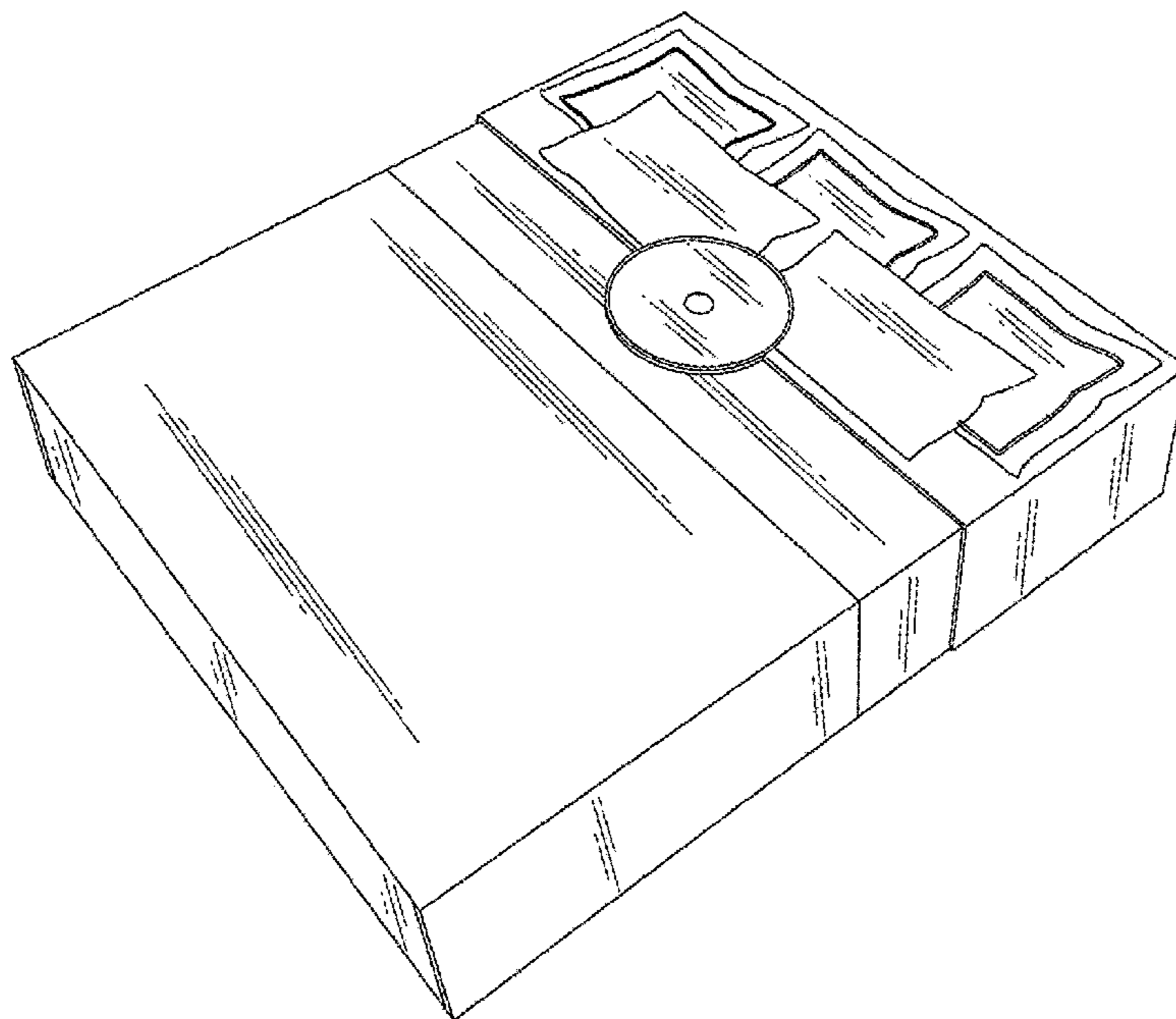
(57) **CLAIM**

The ornamental design for an interior bedroom design consulting services display box, as shown and described.

DESCRIPTION

FIG. 1 is a perspective view of an interior bedroom design consulting services display box showing my new design; FIG. 2 is a top plan view thereof; FIG. 3 is a bottom plan view thereof; FIG. 4 is a right side elevation view of the interior bedroom design consulting services display box showing my new design; FIG. 5 is a left side elevation view thereof; FIG. 6 is a front elevation view showing my new design; FIG. 7 is a rear elevation view thereof; FIG. 8 is a perspective view showing the display box in a partially open position; and, FIG. 9 is a perspective view showing the display box in an open position.

1 Claim, 9 Drawing Sheets



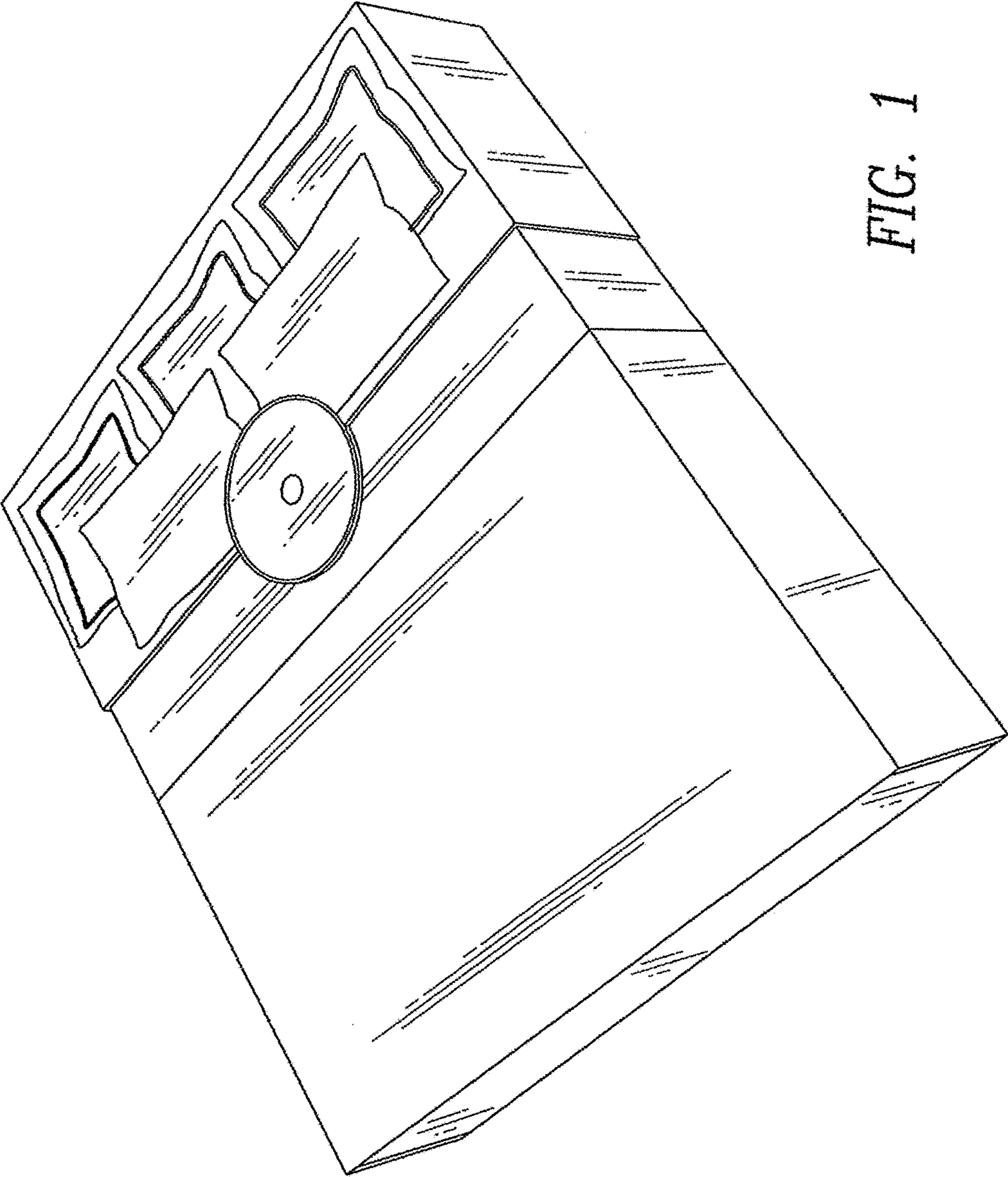


FIG. 1

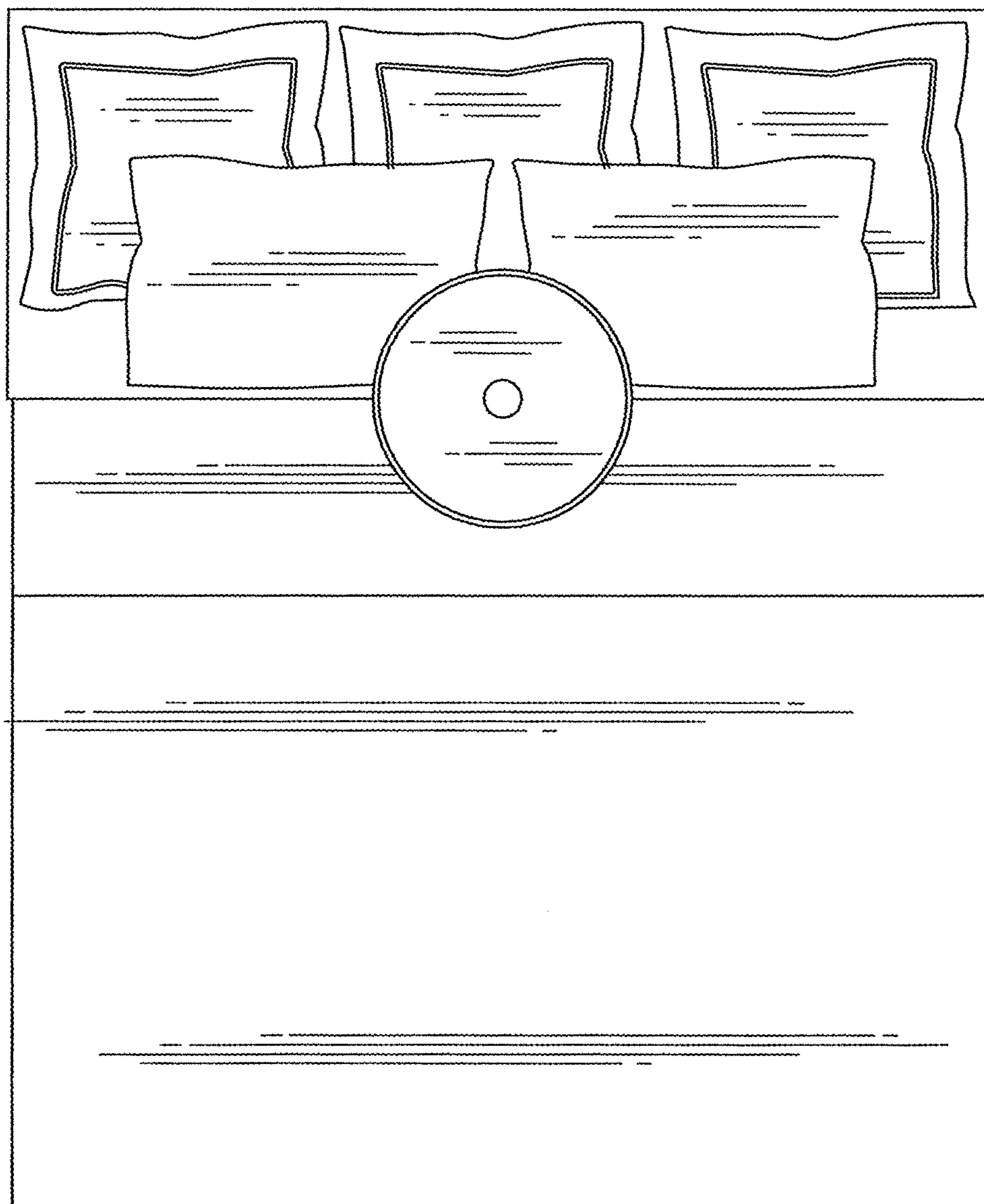


FIG. 2

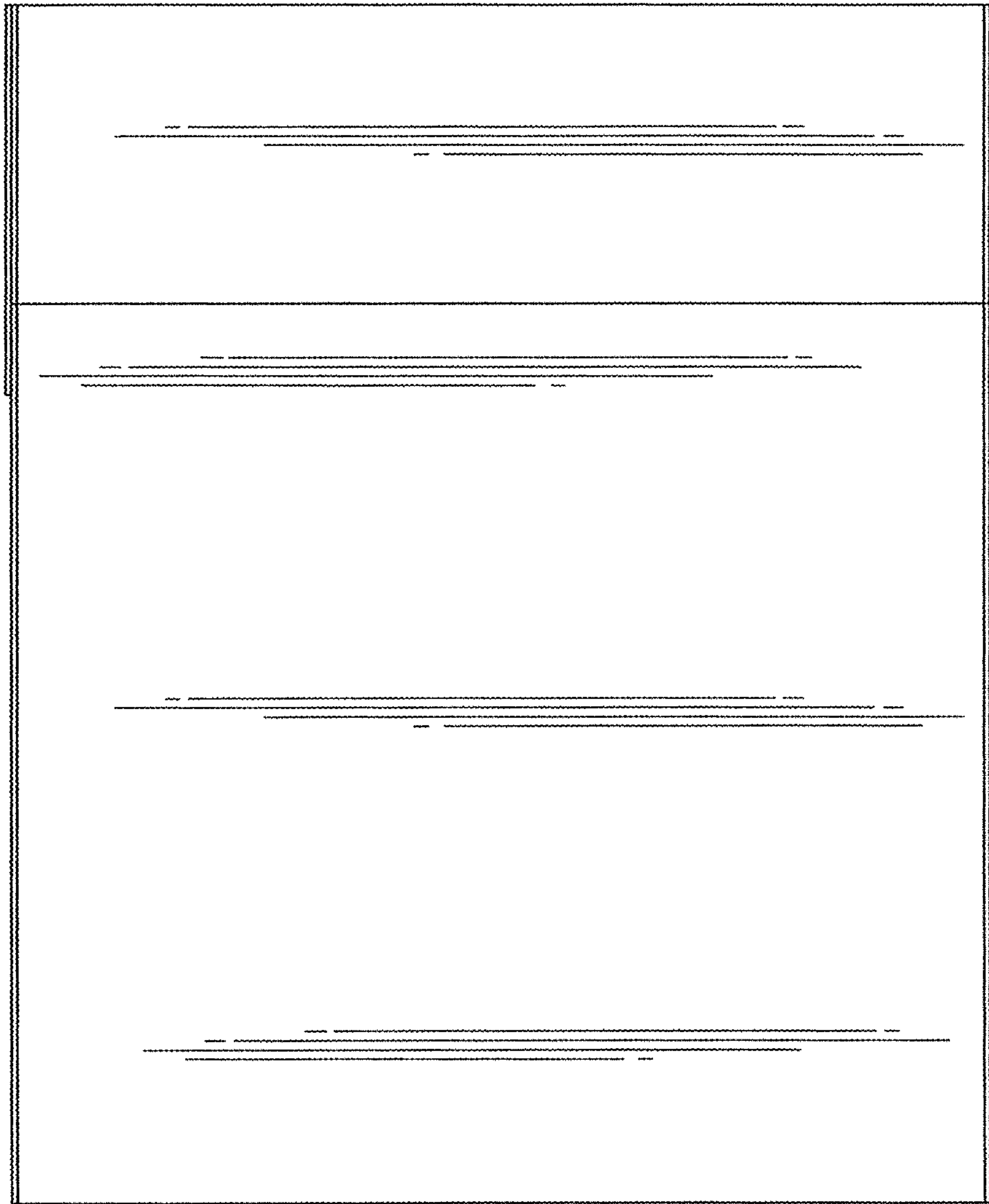


FIG. 3

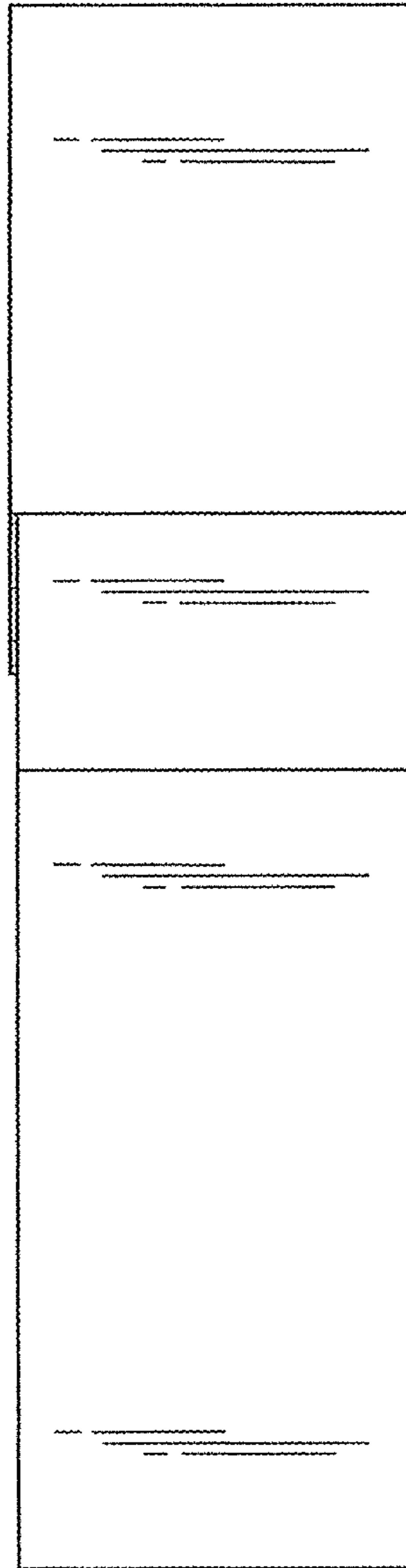


FIG. 4

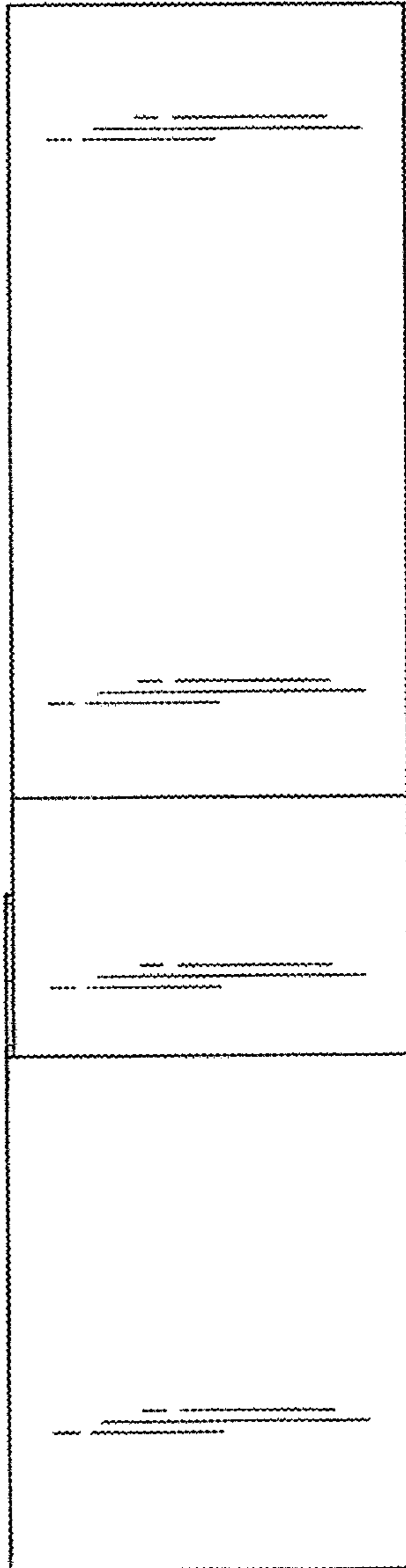


FIG. 5

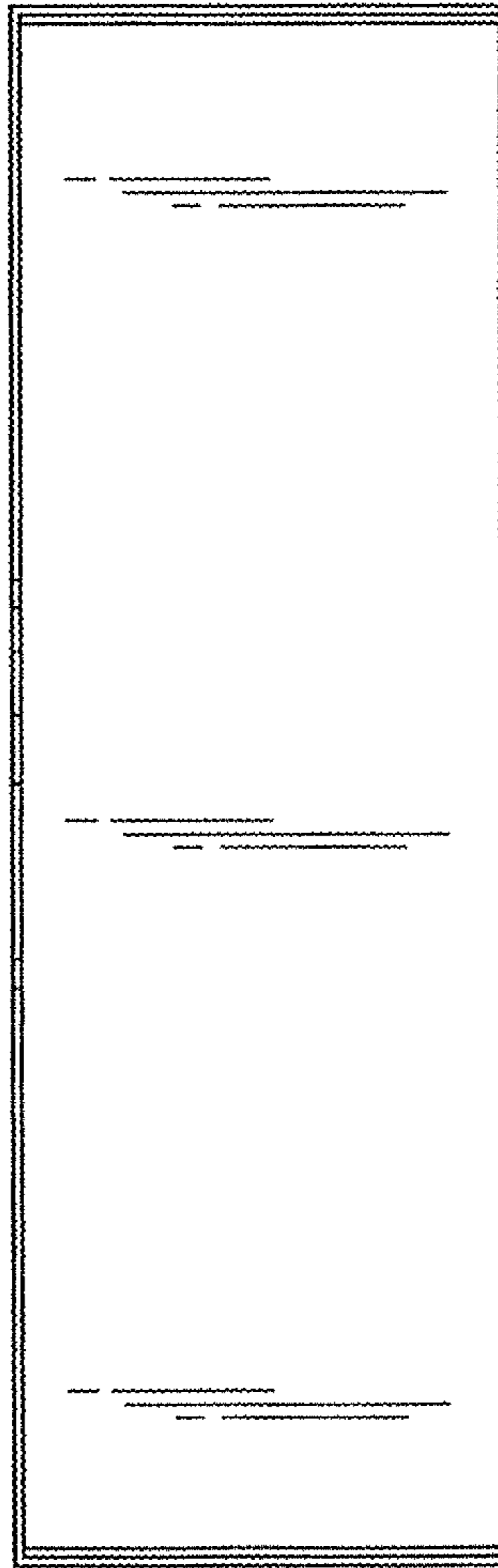


FIG. 6

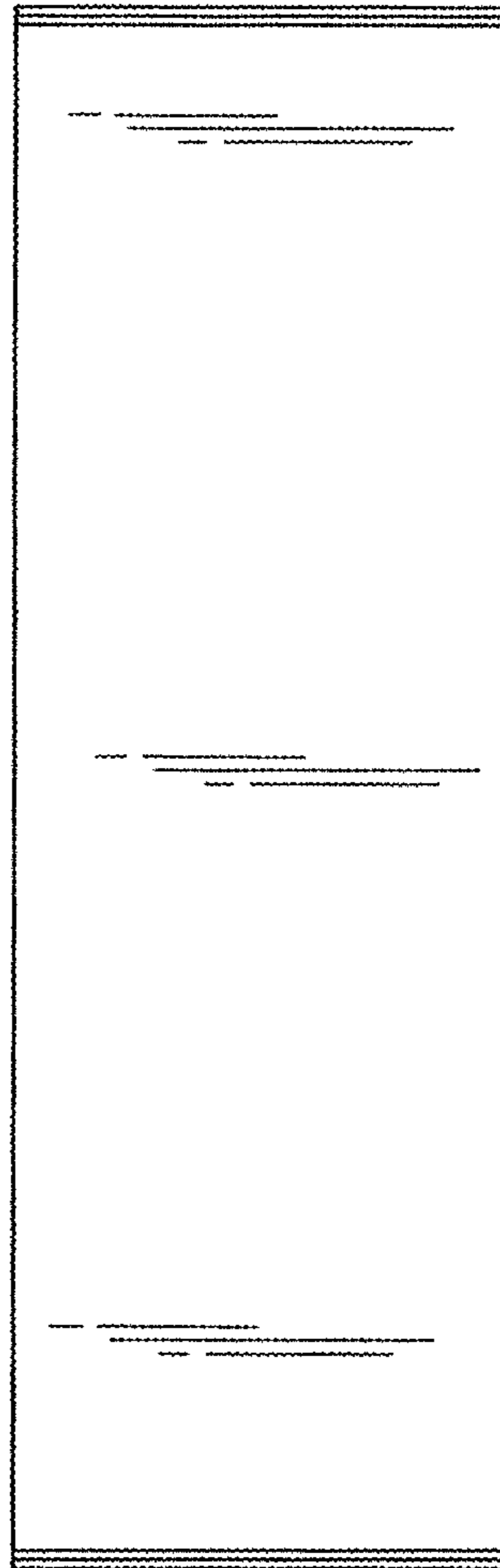


FIG. 7

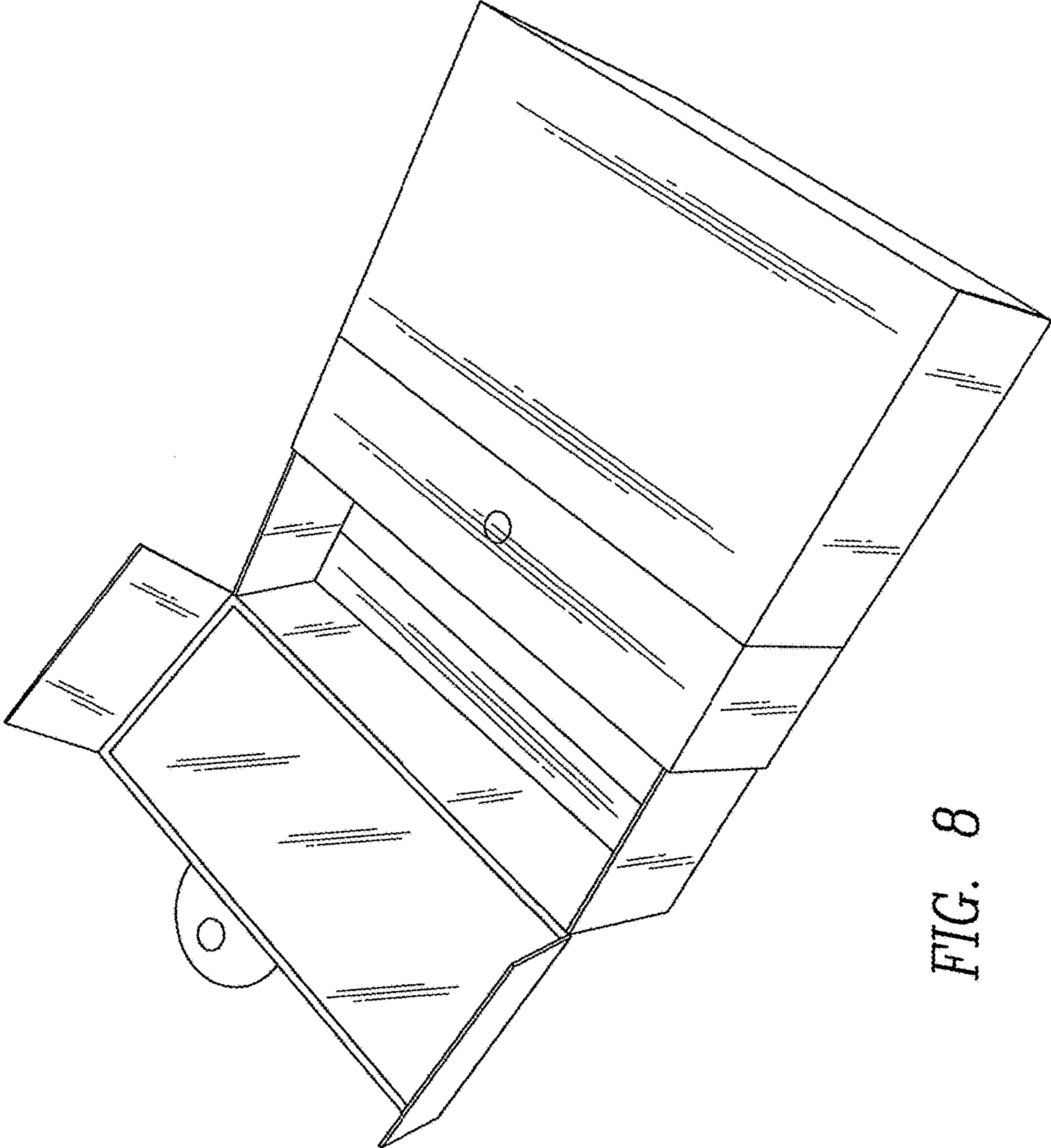


FIG. 8

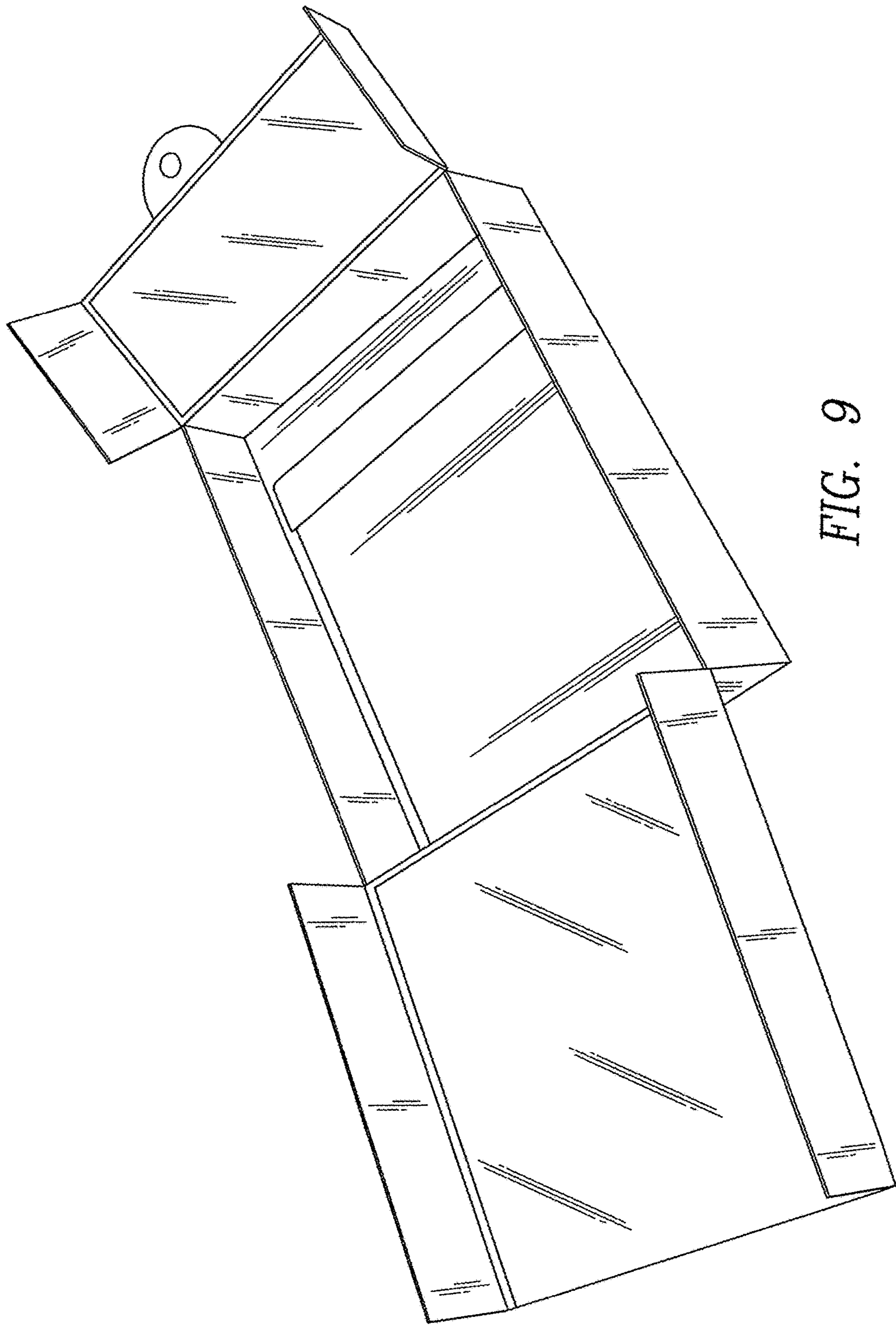


FIG. 9