



US00D814307S

(12) **United States Design Patent** (10) **Patent No.:** **US D814,307 S**  
**de Baschmakoff** (45) **Date of Patent:** **\*\* Apr. 3, 2018**

(54) **PERFUME BOTTLE**

(56) **References Cited**

(71) Applicant: **GUERLAIN SOCIETE ANONYME,**  
Paris (FR)

U.S. PATENT DOCUMENTS

(72) Inventor: **Thierry François de Baschmakoff,**  
Paris (FR)

D326,813 S *	6/1992	Gavala, Jr. ....	D9/568
D535,566 S *	1/2007	Lin .....	D9/453
D580,271 S *	11/2008	Tsai .....	D9/542
D605,054 S *	12/2009	Ungrady .....	D9/559
D649,061 S *	11/2011	Jeffs .....	D9/542
D698,254 S *	1/2014	Regas .....	D9/453
D711,236 S *	8/2014	Friesen .....	D9/519
D748,987 S *	2/2016	Gagliardi .....	D9/541
D769,124 S *	10/2016	Wieland .....	D9/548
D786,689 S *	5/2017	Dalton .....	D9/573
D791,605 S *	7/2017	Friesen .....	D9/559
D795,699 S *	8/2017	Vivas .....	D9/537
D799,976 S *	10/2017	Maier .....	D9/550

(\*\*) Term: **15 Years**

(21) Appl. No.: **35/501,927**

(22) Filed: **Oct. 14, 2016**

(80) **Hague Agreement Data**

Int. Filing Date: **Oct. 14, 2016**  
 Int. Reg. No.: **DM/093350**  
 Int. Reg. Date: **Oct. 14, 2016**  
 Int. Reg. Pub. Date: **Nov. 18, 2016**

\* cited by examiner

*Primary Examiner* — Richard E Chilcot

(51) **LOC (11) Cl.** ..... **09-01**

(52) **U.S. Cl.**

USPC ..... **D9/559**

CPC ..... **B65D 1/00 (2013.01)**

(58) **Field of Classification Search**

USPC ..... D9/501–506, 516–575, 763–783;  
 D7/300–322, 396.2, 509–511, 523, 589,  
 D7/598, 612, 615, 619.1  
 CPC ..... B65D 1/00; B65D 1/02; B65D 1/0223;  
 B65D 1/0261; B65D 1/40; B65D 1/42;  
 B65D 1/44; B65D 23/00; B65D 23/102;  
 B65D 81/00; B65D 2501/00; B65D  
 2501/0009; B65D 2501/0018; B65D  
 2501/0036

(57) **CLAIM**

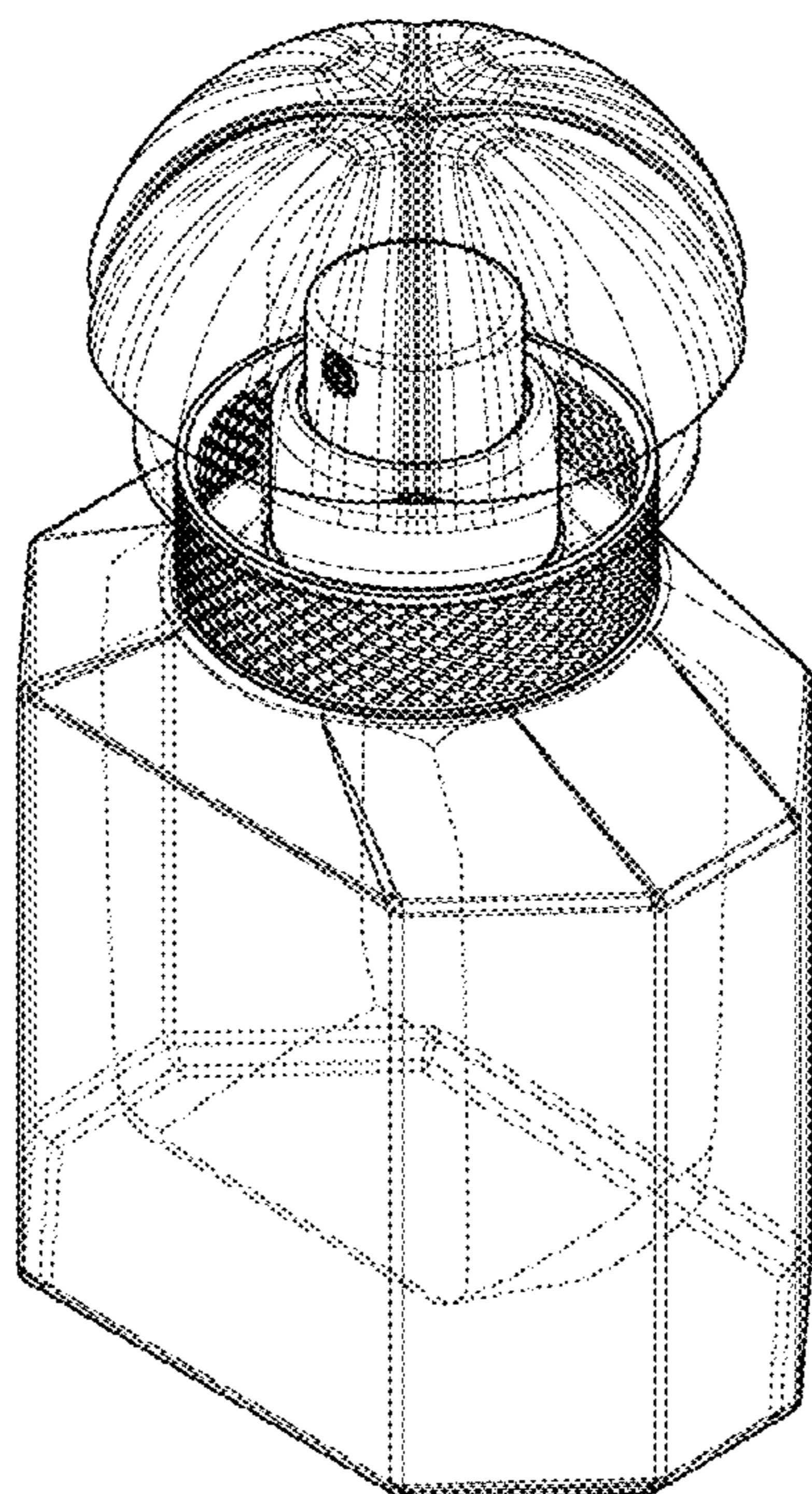
The ornamental design for a perfume bottle, as shown and described.

**DESCRIPTION**

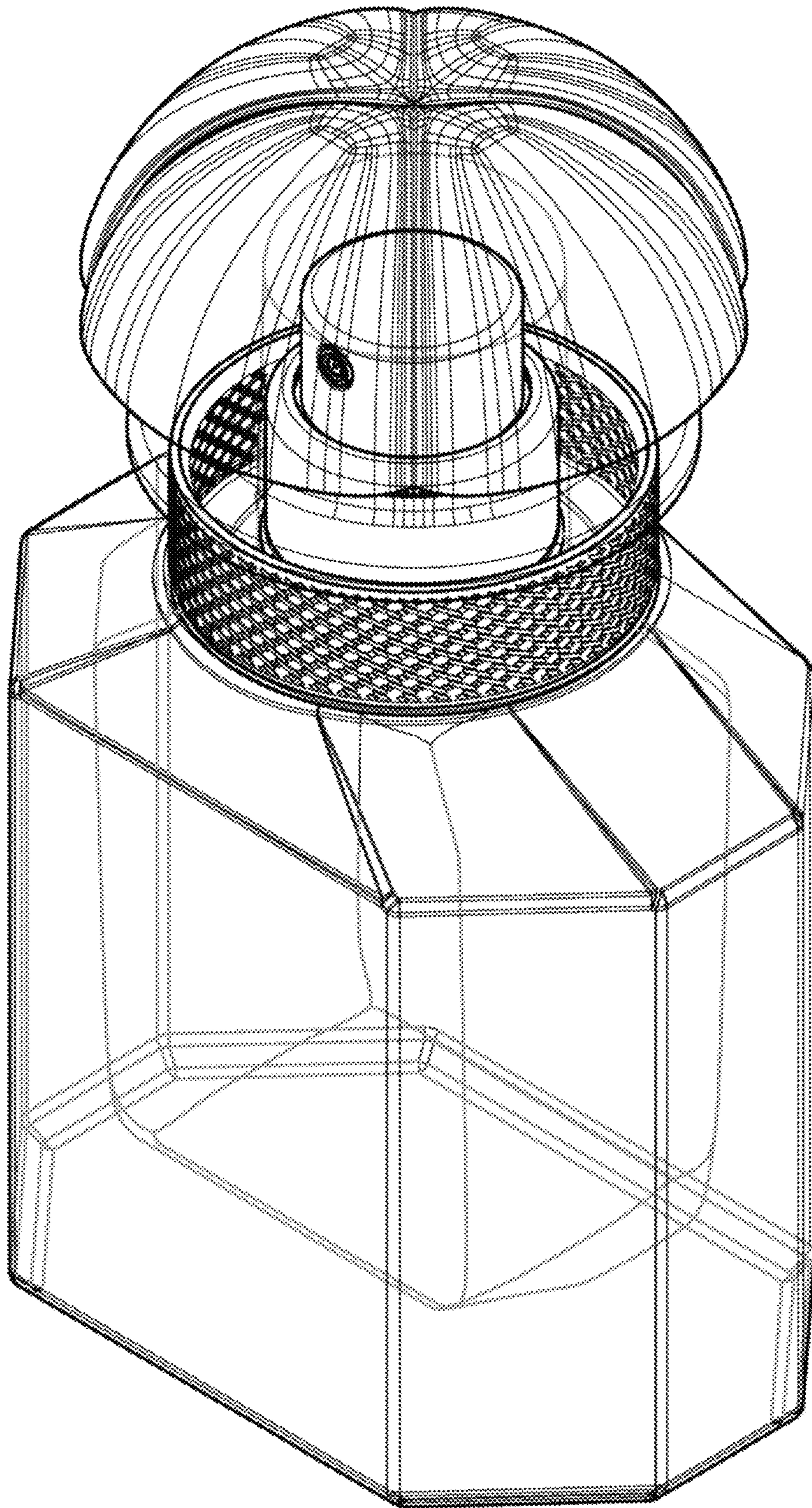
1. Perfume bottle
- 1.1 : Perspective
- 1.2 : Front
- 1.3 : Back
- 1.4 : Right
- 1.5 : Left
- 1.6 : Top
- 1.7 : Bottom

See application file for complete search history.

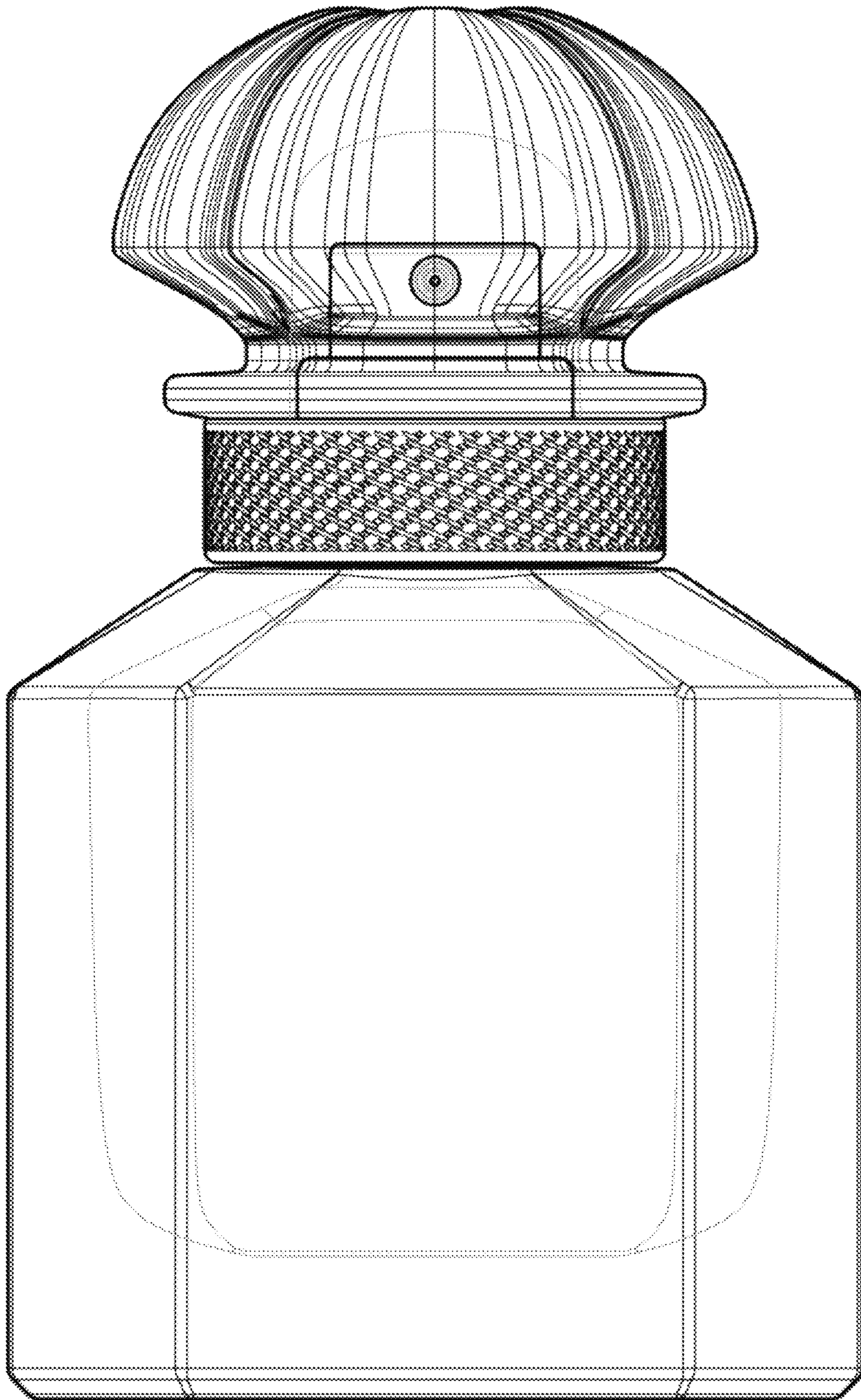
**1 Claim, 7 Drawing Sheets**



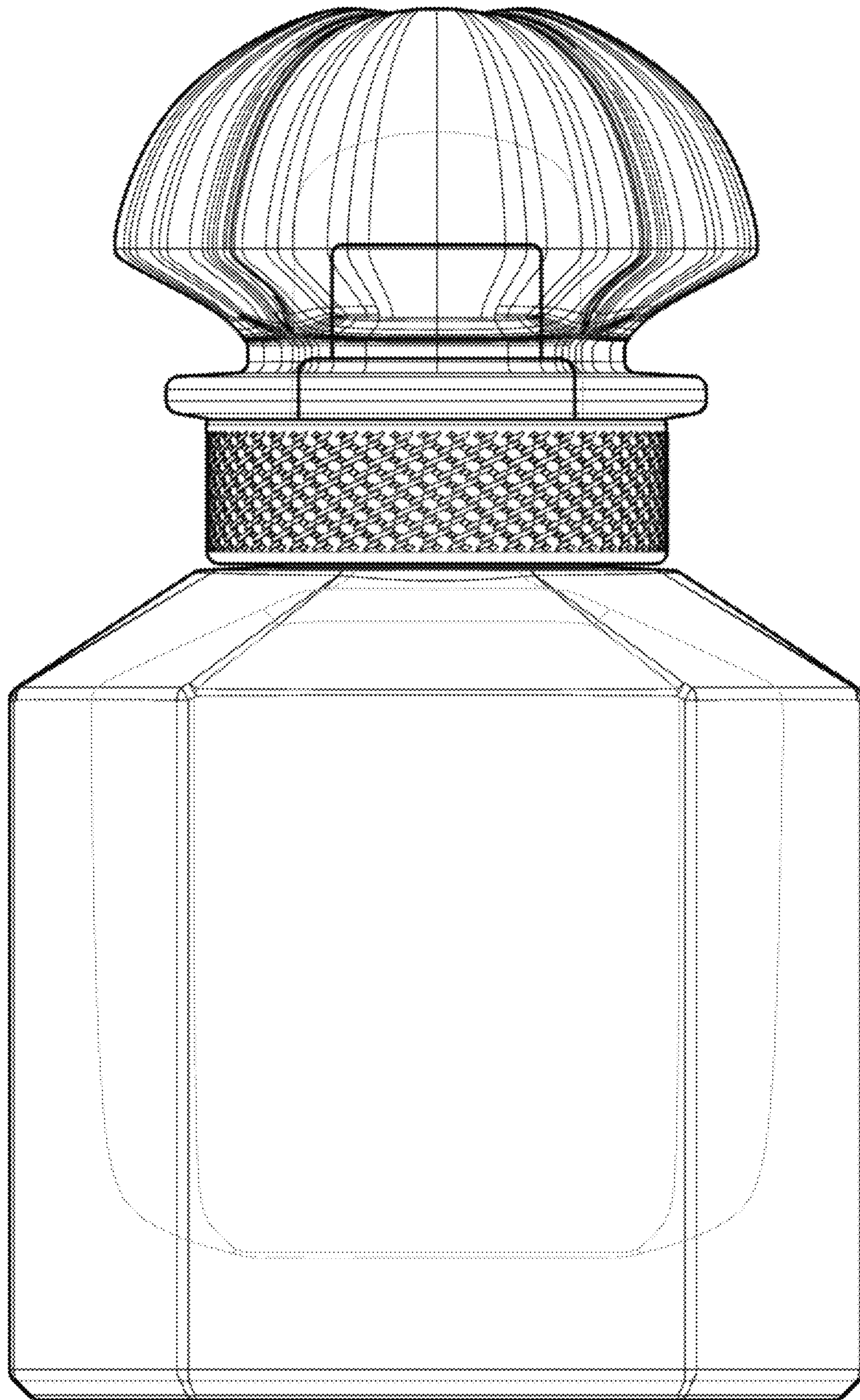
1.1



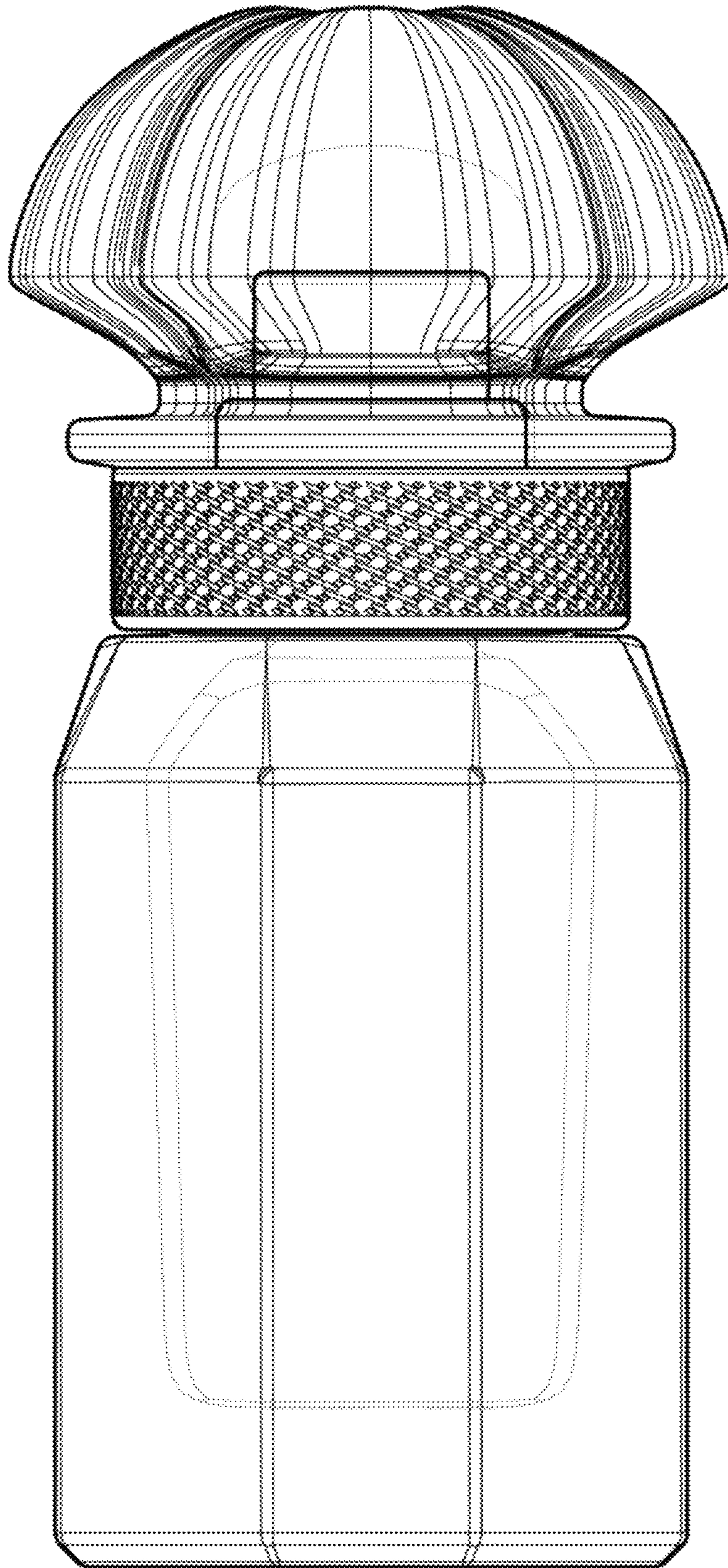
1.2



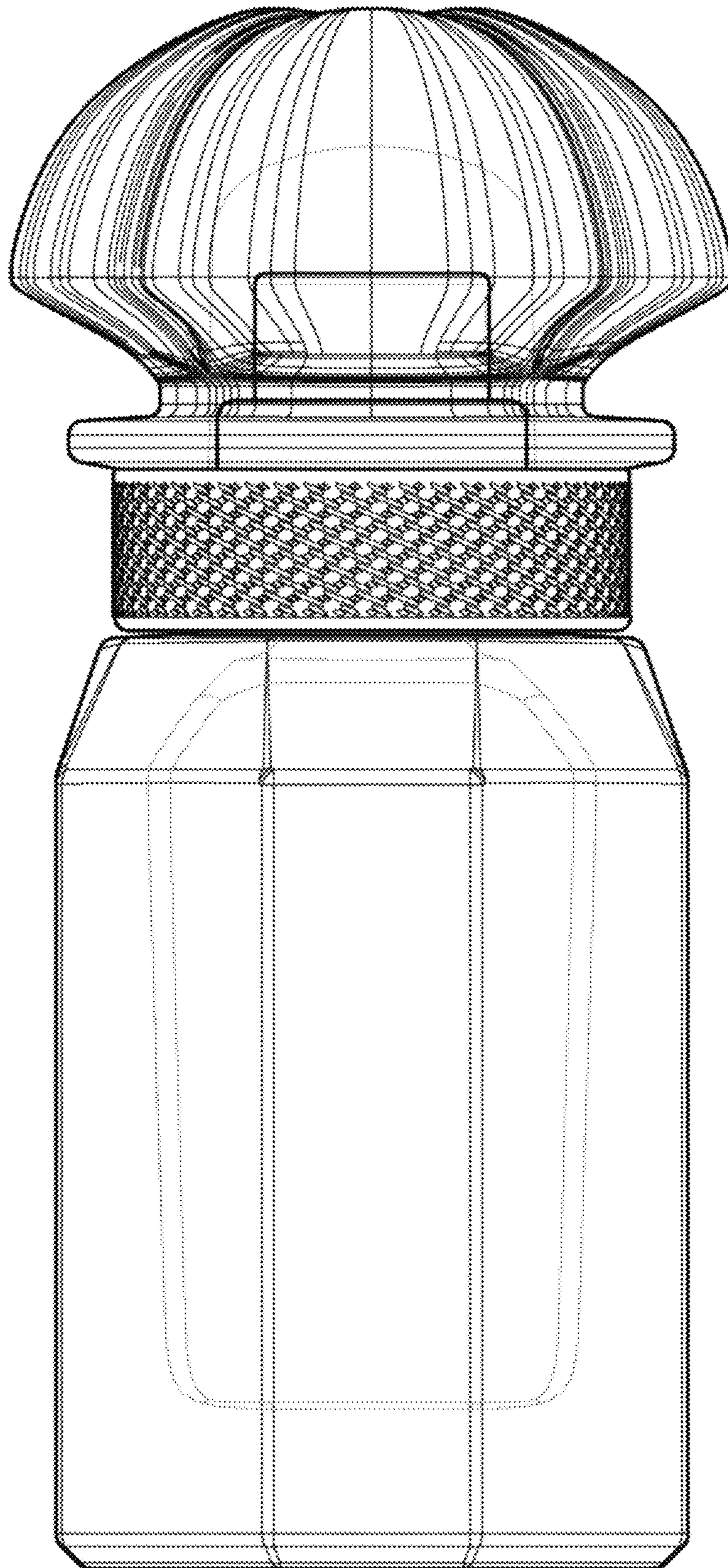
1.3



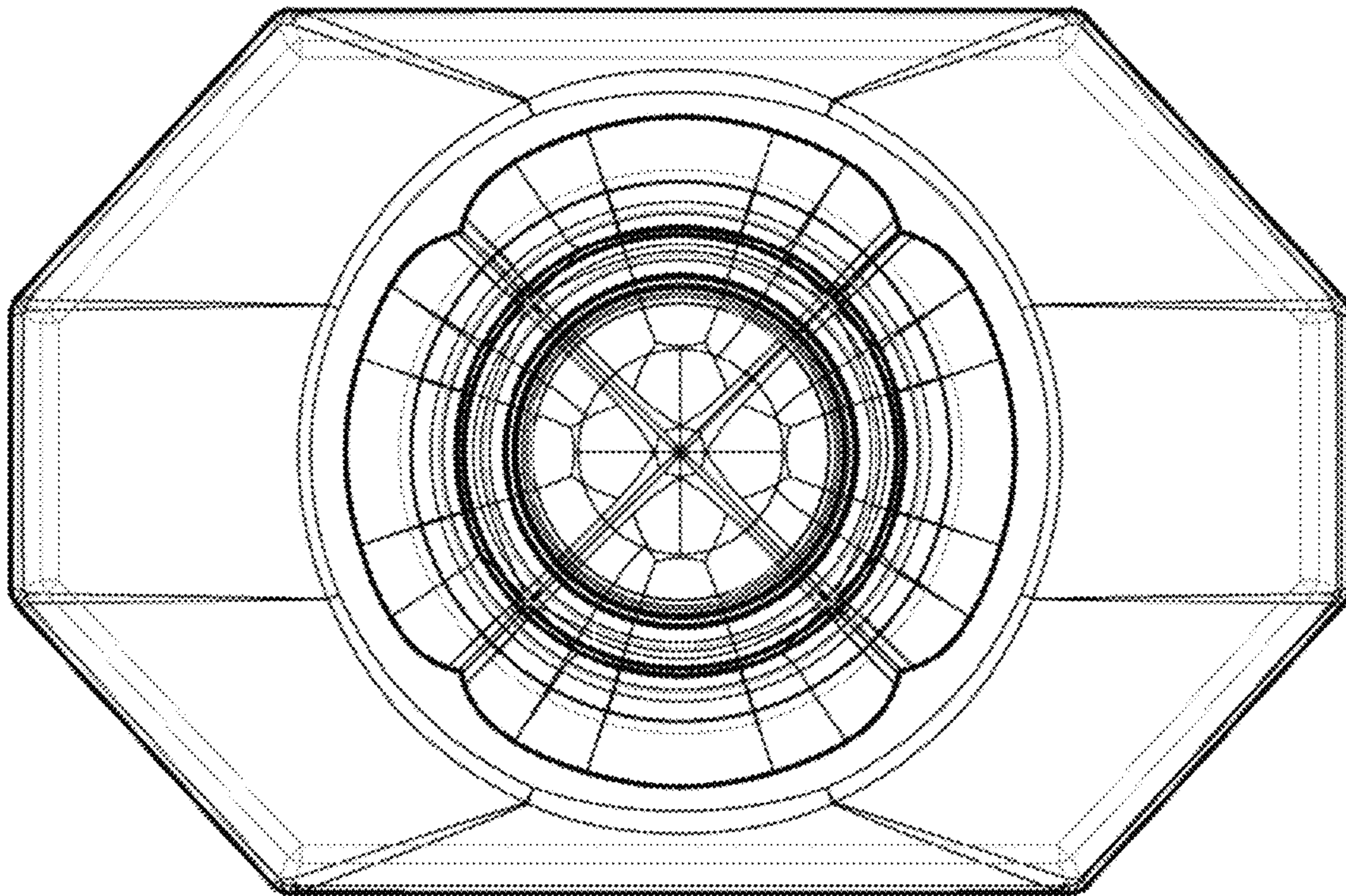
1.4



1.5



1.6



1.7

