



US00D814304S

(12) **United States Design Patent**
Hudson et al.

(10) **Patent No.:** **US D814,304 S**

(45) **Date of Patent:** **** Apr. 3, 2018**

(54) **STORAGE CONTAINER**

(71) Applicant: **THE SHERWIN-WILLIAMS COMPANY**, Cleveland, OH (US)

(72) Inventors: **Richard D. Hudson**, North Olmsted, OH (US); **James J. Johnson**, Akron, OH (US); **Gustavo A. Morales**, Brunswick, OH (US); **Edward Ray Goodwin, Jr.**, Westlake, OH (US); **Michael C. Lambertson, Jr.**, Aurora, OH (US); **Charles T. Buckel, Jr.**, Valley City, OH (US)

(73) Assignee: **THE SHERWIN-WILLIAMS COMPANY**, Cleveland, OH (US)

(**) Term: **15 Years**

(21) Appl. No.: **29/569,772**

(22) Filed: **Jun. 30, 2016**

(51) **LOC (11) Cl.** **09-01**

(52) **U.S. Cl.**

USPC **D9/527**; D9/575

(58) **Field of Classification Search**

USPC D7/598, 600; D9/454, 516, 522-524, D9/526-528, 530-533, 537, 540, 544, D9/545, 549, 575, 715, 719, 741-745; D32/53, 53.1, 54; D23/211, 211.1, 212
CPC B44D 3/12; B65D 25/32; B65D 21/0231; B65D 23/102; B65D 47/06

See application file for complete search history.

(56) **References Cited**

U.S. PATENT DOCUMENTS

D248,370 S * 7/1978 Beekenkamp D7/321
D266,450 S * 10/1982 Swett D23/212
D268,810 S * 5/1983 Hartung D9/524
D269,303 S * 6/1983 Goetz D32/53
D321,317 S * 11/1991 Sherman D9/524

D340,189 S 10/1993 Fletcher
D355,365 S * 2/1995 Charbonneau D9/524
D367,201 S * 2/1996 Joergensen D7/305
D370,153 S * 5/1996 Chaney D7/503
5,549,216 A * 8/1996 Scholl B44D 3/12
220/695

5,564,525 A * 10/1996 Dunnegan F01M 11/0458
141/98

D378,494 S 3/1997 Miller
(Continued)

Primary Examiner — Ian Simmons

Assistant Examiner — Keith Frank

(74) *Attorney, Agent, or Firm* — Tucker Ellis LLP; Carlos Garritano

(57) **CLAIM**

The ornamental design for a storage container, as shown and described.

DESCRIPTION

FIG. 1 is a perspective view of a storage container showing our new design;

FIG. 2 is a rear perspective view of the storage container illustrated in FIG. 1;

FIG. 3 is a front view of the storage container illustrated in FIG. 1;

FIG. 4 is a rear view of the storage container illustrated in FIG. 1;

FIG. 5 is a left side view of the storage container illustrated in FIG. 1;

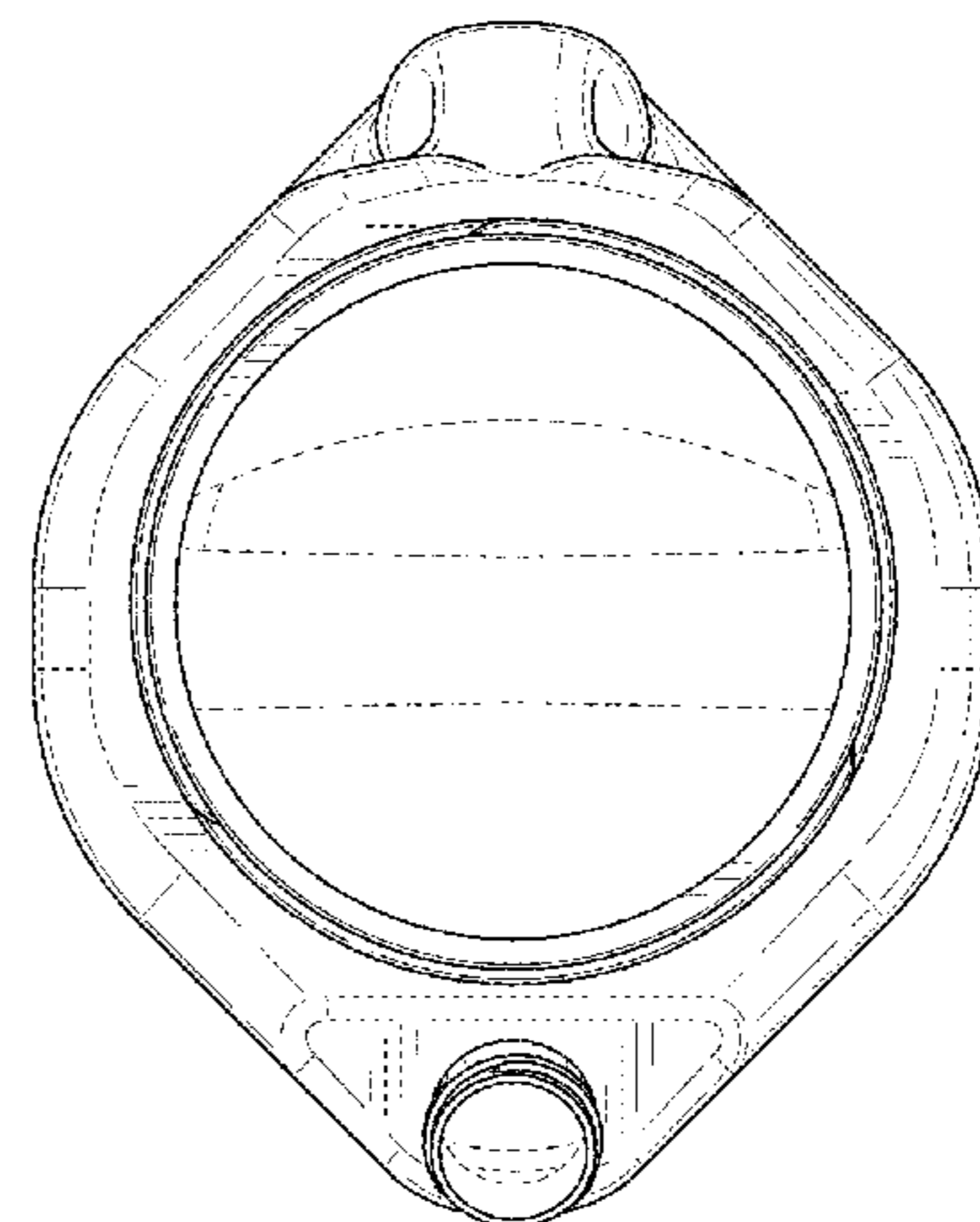
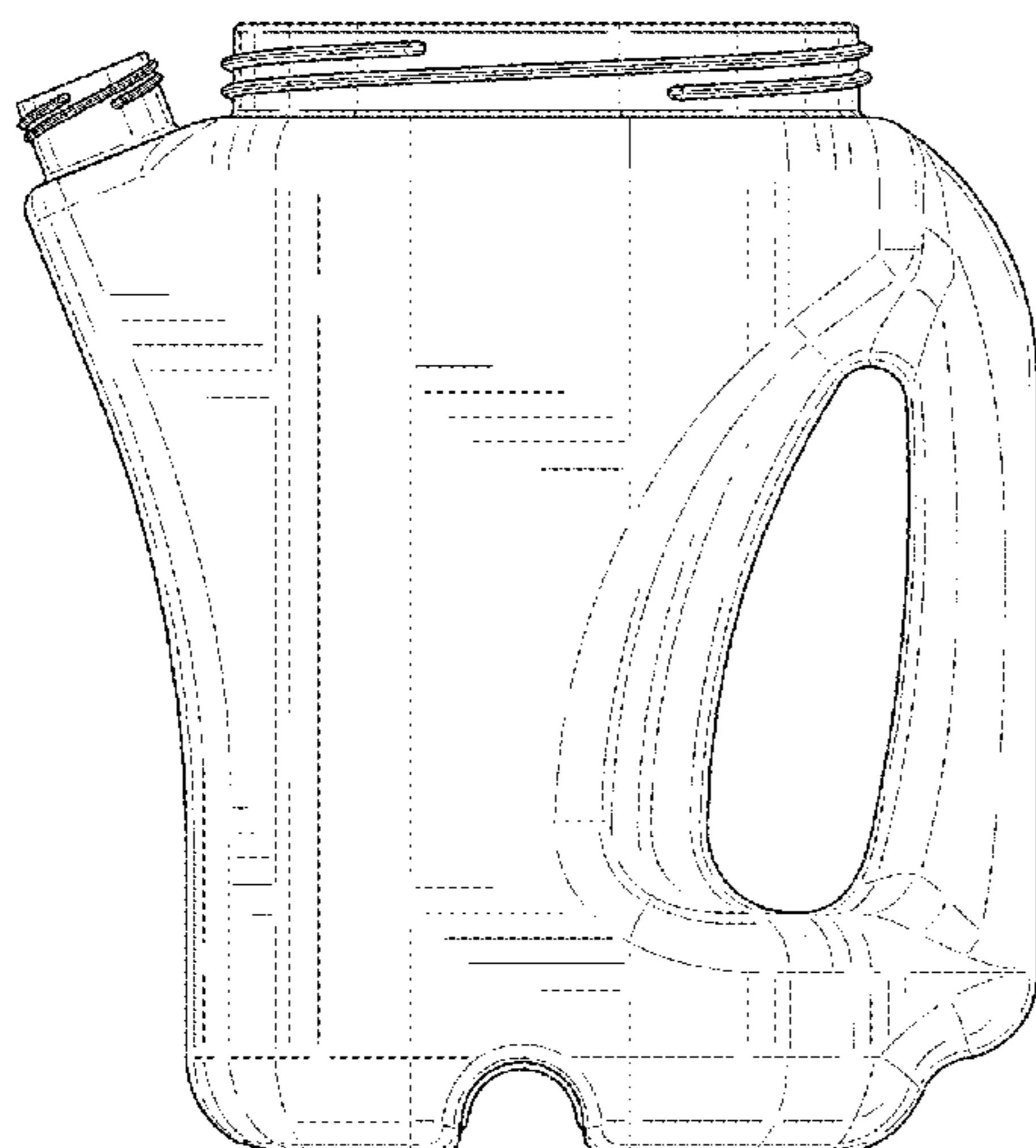
FIG. 6 is a right side view of the storage container illustrated in FIG. 1;

FIG. 7 is a top view of the storage container illustrated in FIG. 1; and,

FIG. 8 is a bottom view of the storage container illustrated in FIG. 1.

The broken lines in the drawings showing the storage container illustrate the portions of the storage container that form no part of the claimed design.

1 Claim, 8 Drawing Sheets



(56)

References Cited

U.S. PATENT DOCUMENTS

5,669,526 A * 9/1997 Keyfauver B44D 3/12
 206/508
 5,727,708 A * 3/1998 Erickson B44D 3/126
 206/514
 D398,663 S * 9/1998 Freeland D21/532
 5,855,304 A 1/1999 Dean
 D431,472 S 10/2000 Cain
 D458,514 S * 6/2002 Dorion D7/600
 D460,845 S 7/2002 Bergman
 6,708,838 B2 3/2004 Bergman
 D505,076 S 5/2005 Logan
 D550,090 S * 9/2007 Meeker D9/528
 D563,229 S * 3/2008 Dowel D9/524
 D610,856 S * 3/2010 Hoffman D7/306
 7,703,641 B2 * 4/2010 Bravo B44D 3/127
 215/305
 D623,954 S 9/2010 Hawry
 D643,694 S * 8/2011 Lu D7/629
 D652,305 S * 1/2012 Yourist D9/524
 D653,548 S 2/2012 Wycoff
 D691,052 S 10/2013 Minghetti
 D728,298 S * 5/2015 Ma D7/317
 D749,948 S * 2/2016 Groglopo Favetto D9/443
 D751,913 S 3/2016 Seecof
 9,290,310 B2 3/2016 Sinn
 2007/0187413 A1 8/2007 Gruskin

* cited by examiner

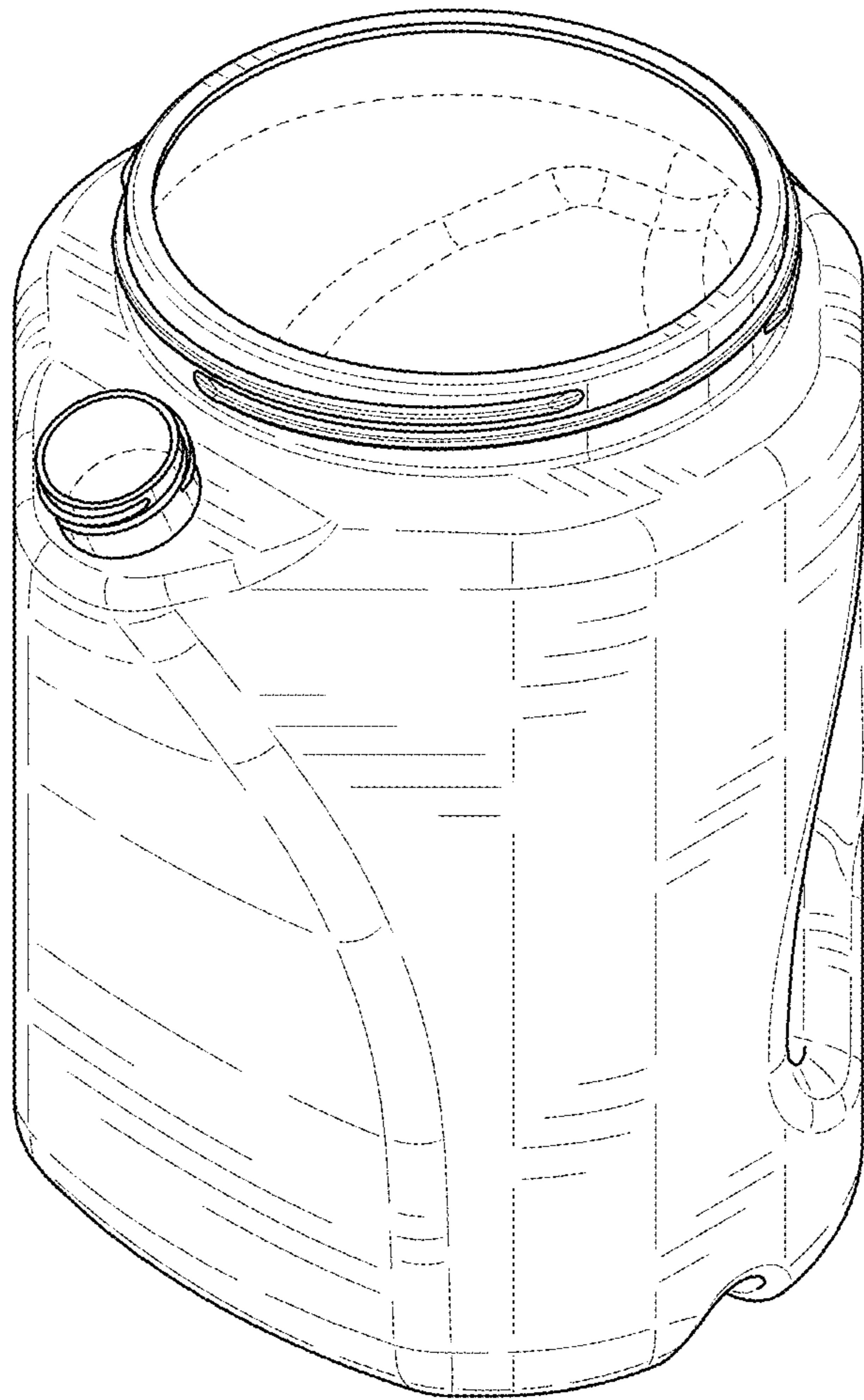


FIG. 1

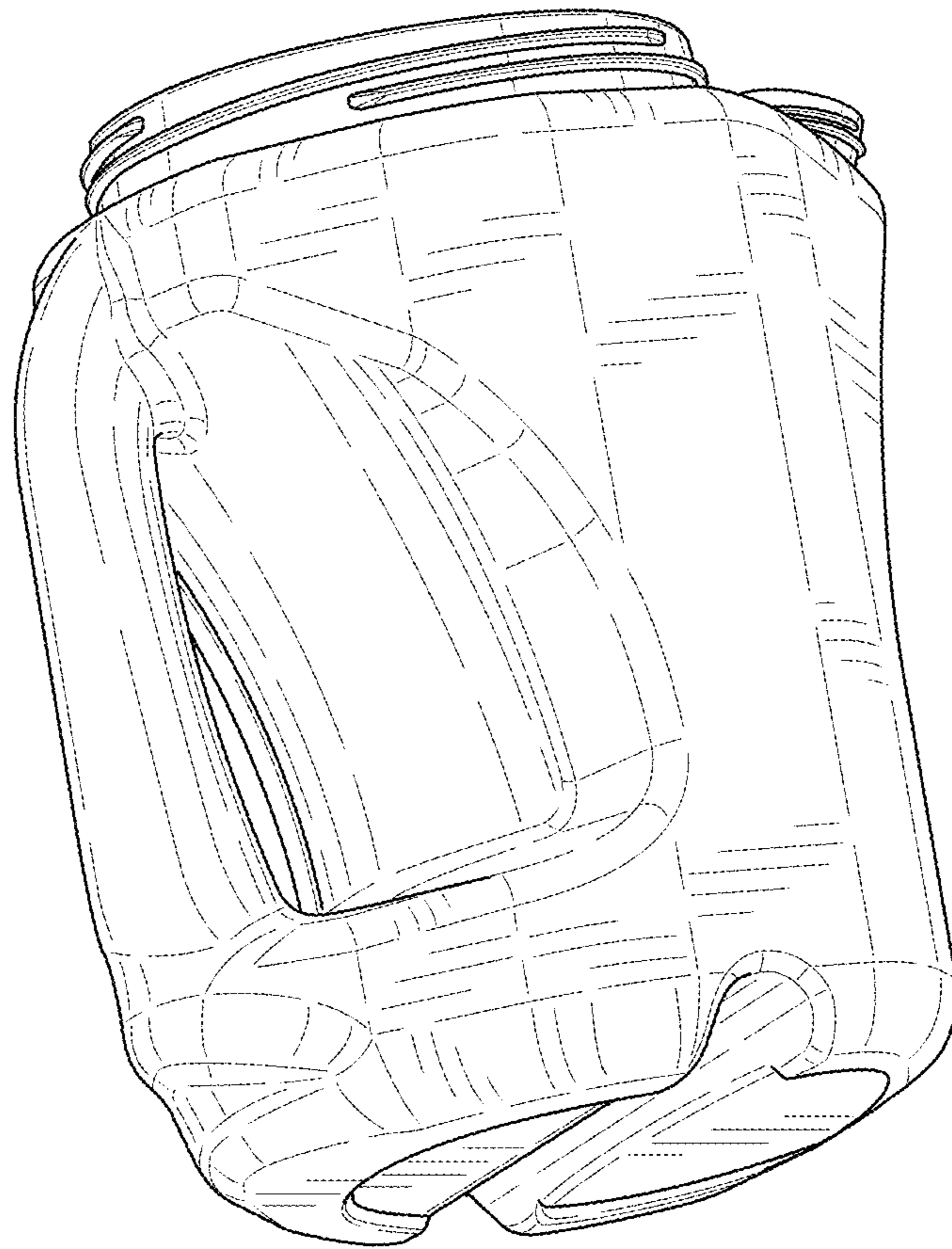


FIG. 2

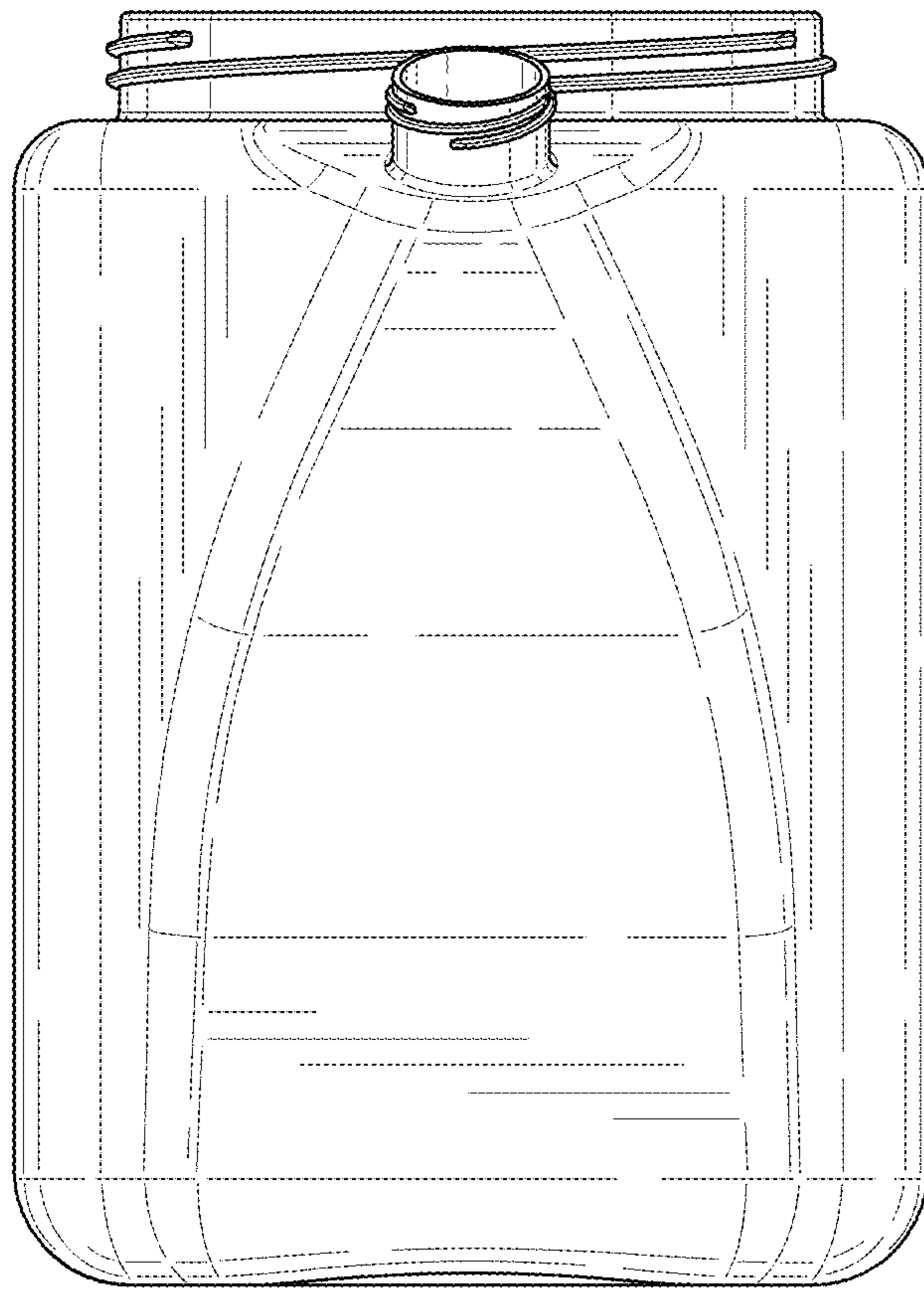


FIG. 3

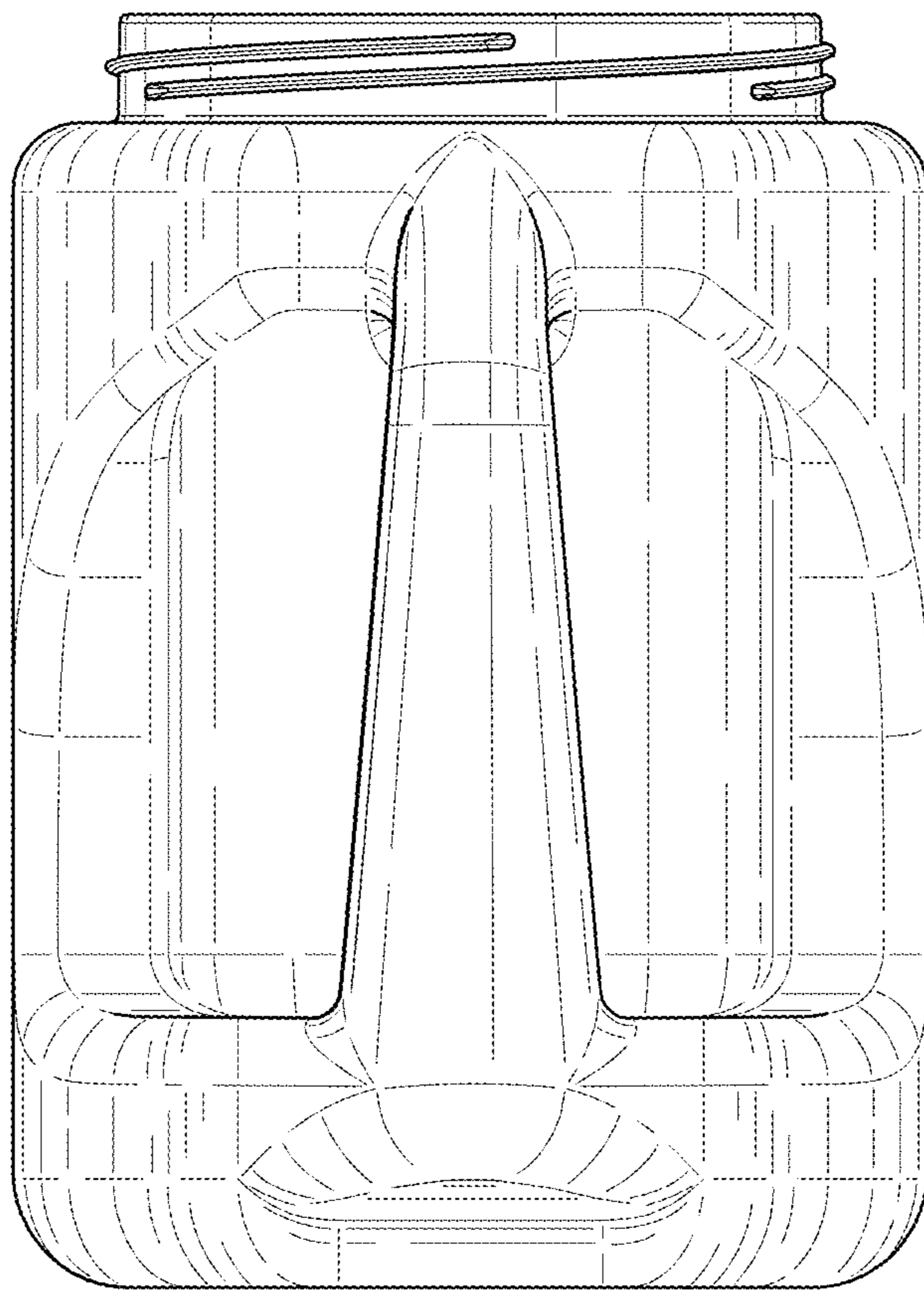


FIG. 4

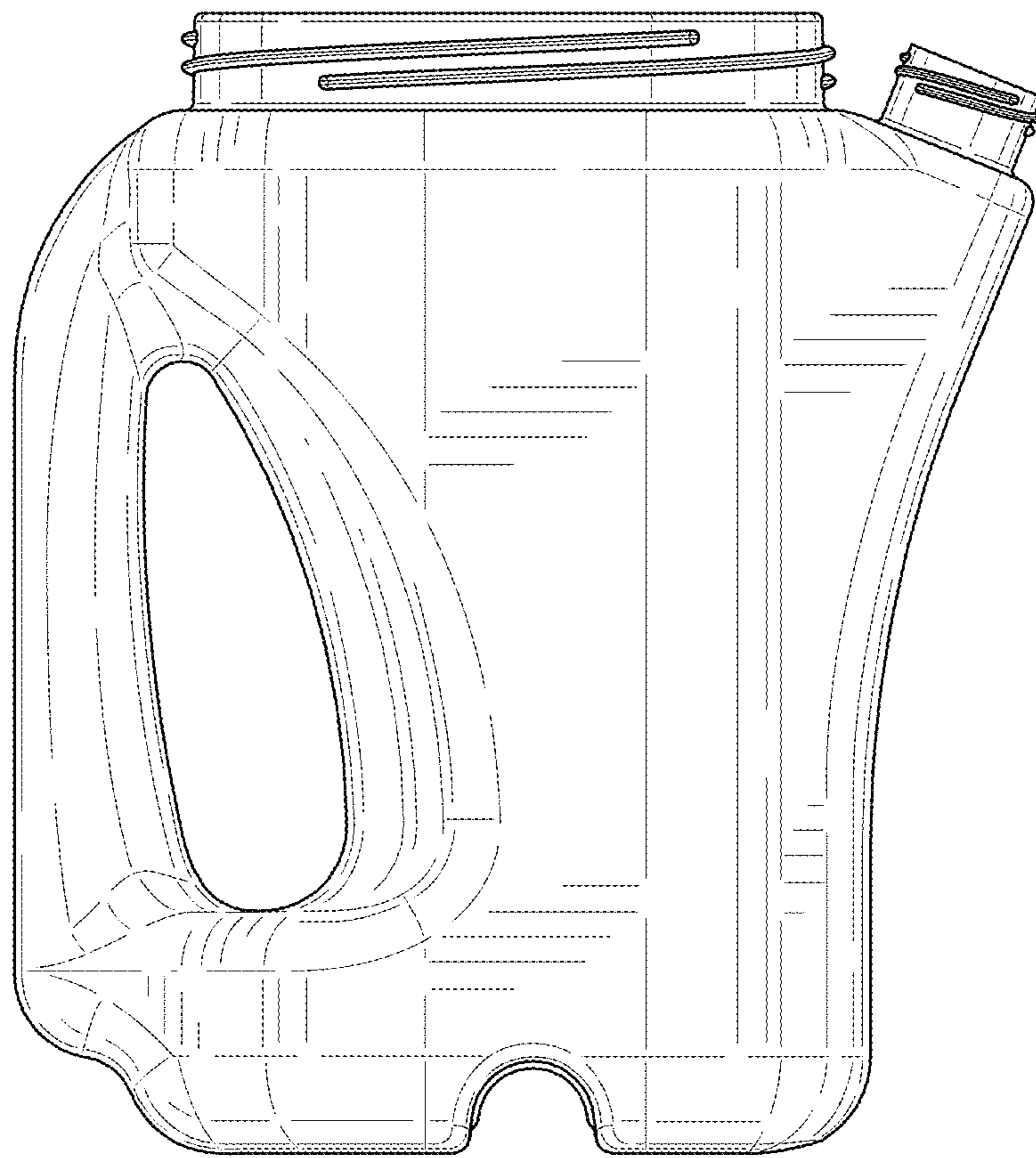


FIG. 5

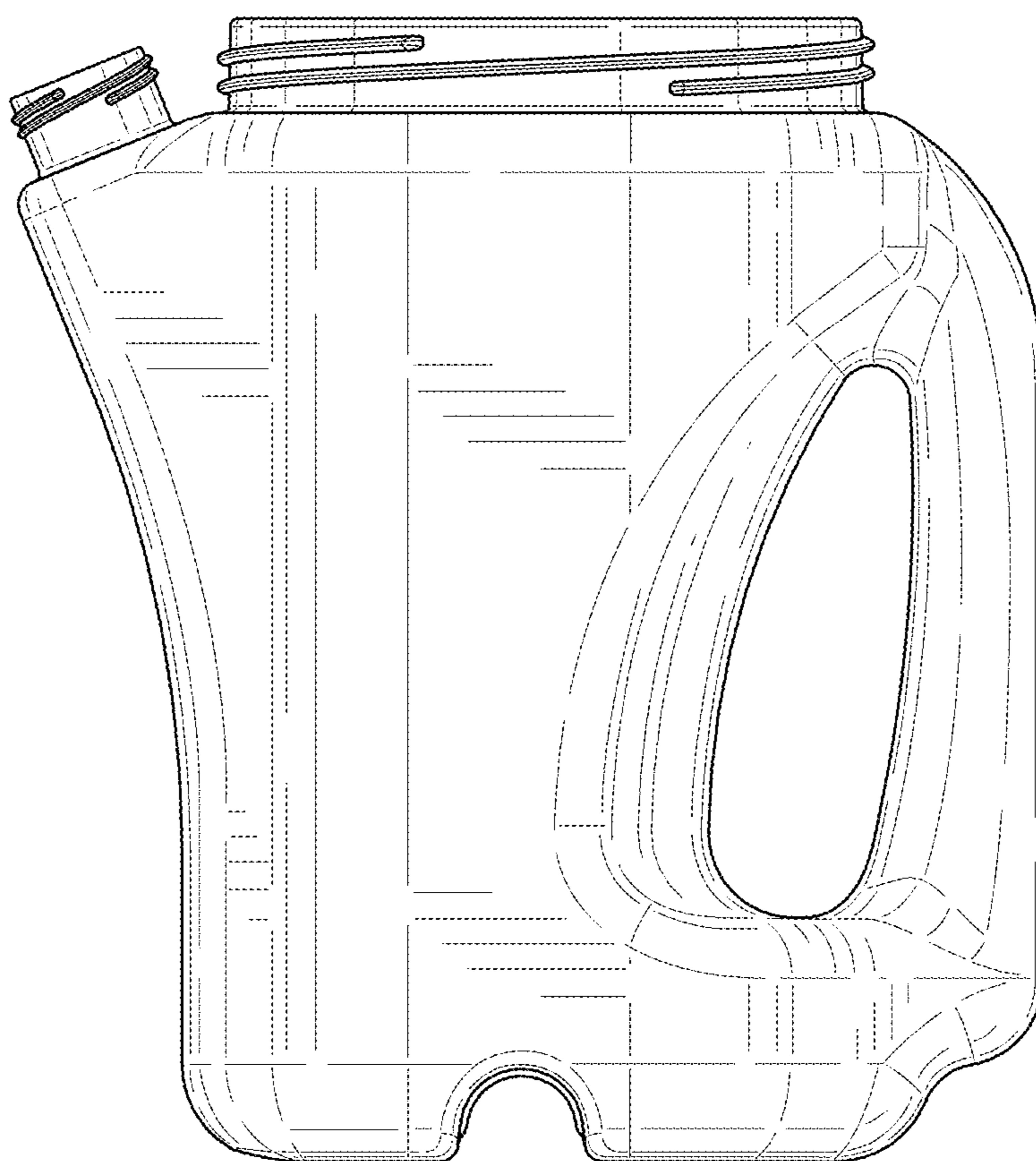


FIG. 6

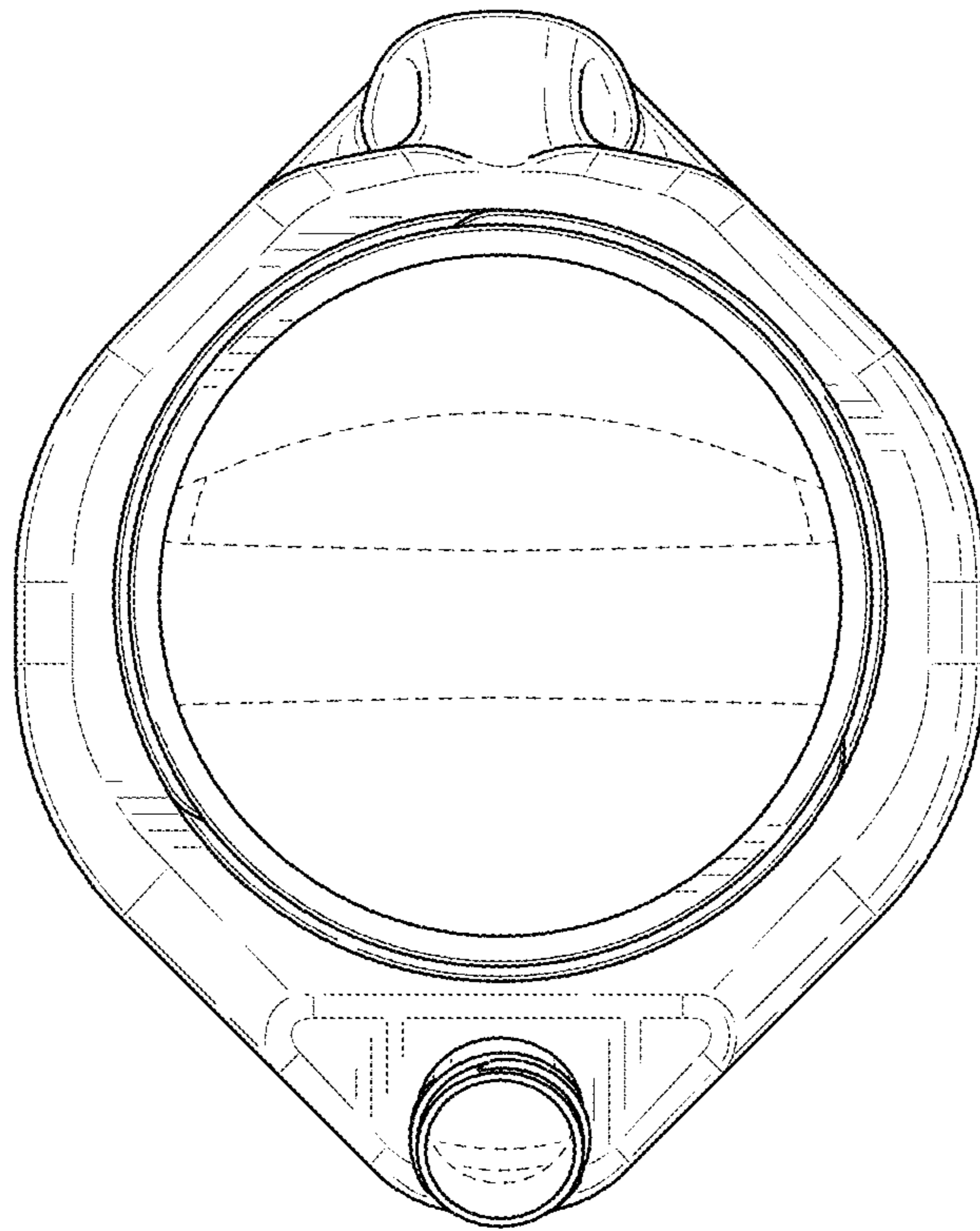


FIG. 7

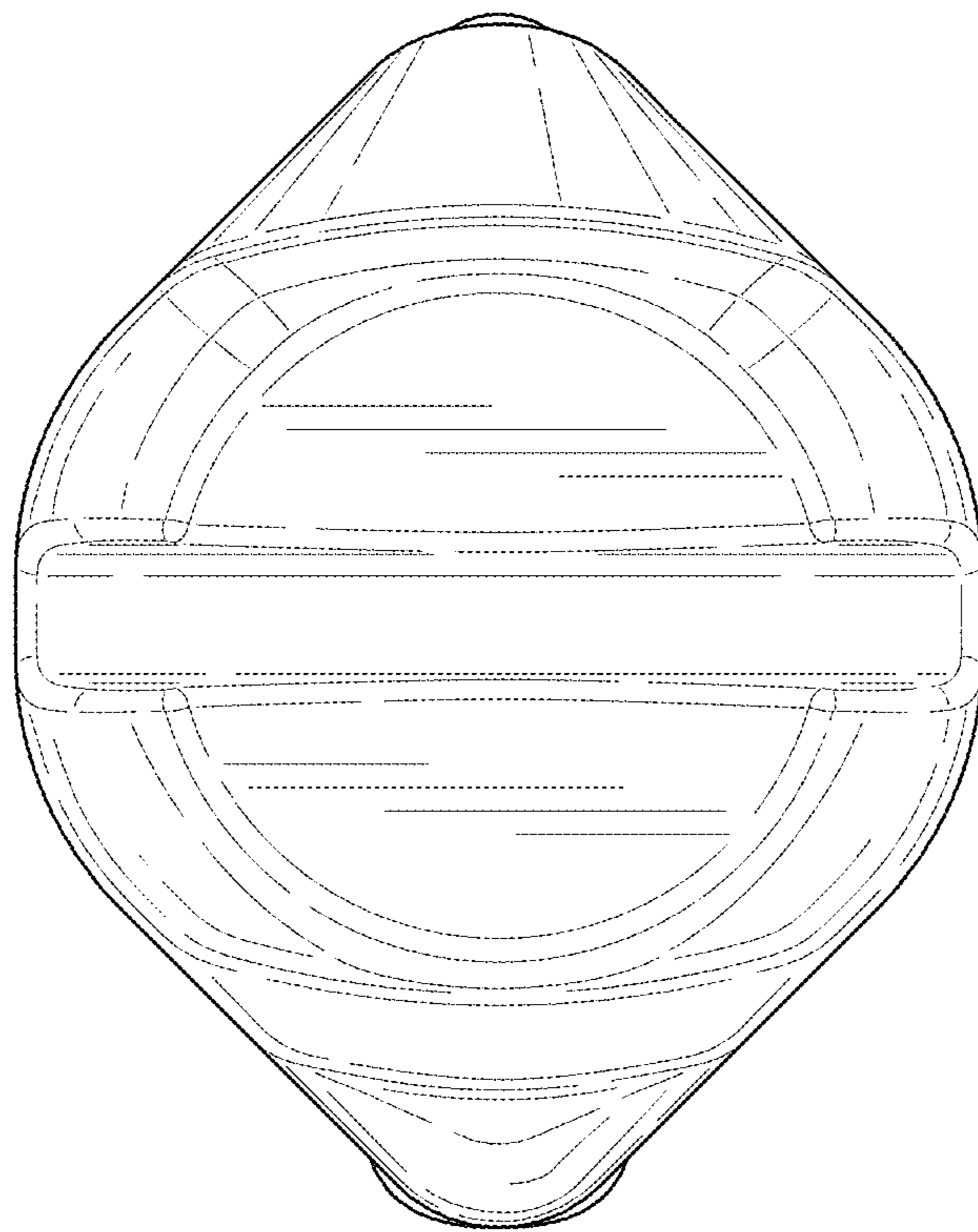


FIG. 8