



US00D814303S

(12) **United States Design Patent** (10) **Patent No.:** **US D814,303 S**
Ascherl et al. (45) **Date of Patent:** **** Apr. 3, 2018**

(54) **BOTTLE**
(71) Applicant: **Daimler AG**, Stuttgart (DE)
(72) Inventors: **Ariane Ascherl**, Stuttgart (DE);
Sebastian Bischoff, Niederkassel (DE);
Stefan Bruder, Stuttgart (DE); **Ugo D**
Andrea, Filderstadt (DE); **Ralf**
Schuettler, Brackenheim (DE)
(73) Assignee: **Daimler AG**, Stuttgart (DE)

D356,504 S * 3/1995 Saltz D9/523
D454,308 S * 3/2002 Scheida D9/523
D485,186 S * 1/2004 Wiper D9/523
D510,870 S * 10/2005 Kelly D9/523
D543,852 S * 6/2007 Warren D9/523
D600,564 S * 9/2009 da Barp D9/523
D615,416 S * 5/2010 Lee D9/543
D645,754 S * 9/2011 Corbett D9/452
D691,053 S * 10/2013 Garcia D9/543
D693,691 S * 11/2013 Nachtsheim D9/523
D722,882 S * 2/2015 Castillo Higareda D9/543

(Continued)

(**) Term: **15 Years**

FOREIGN PATENT DOCUMENTS

(21) Appl. No.: **29/585,081**

EM 002021030-0001 * 4/2012
IN 234601 * 2/2011
IN 255880 * 8/2013

(22) Filed: **Nov. 21, 2016**

OTHER PUBLICATIONS

(30) **Foreign Application Priority Data**

Jul. 26, 2016 (WO) DM/092100

HDPE Plastic Bottles. Online, published date unknown. Retrieved on Sep. 14, 2017 from URL: <https://www.indiamart.com/proddetail/hdpe-plastic-bottles-7522480730.html>.*

(51) **LOC (11) Cl.** **09-01**

(52) **U.S. Cl.**
USPC **D9/523**

(Continued)

(58) **Field of Classification Search**
USPC D9/434-435, 439, 447, 449, 450, 452,
D9/516, 520, 522-524, 528-531,
D9/541-544, 549-551, 558-560, 563,
D9/565-566, 571-575, 682, 686,
D9/693-694, 715, 719; D23/211, 225;
D7/300, 300.1, 316, 317, 598
CPC ... B65D 1/00; B65D 1/02; B65D 1/12; B65D
1/18; B65D 1/20; B65D 1/0223; B65D
23/00; B65D 21/0237; B65D 2501/0009;
B65D 2501/0081

Primary Examiner — Vy N Koenig
Assistant Examiner — Omeed Agilee
(74) *Attorney, Agent, or Firm* — Crowell & Moring LLP

See application file for complete search history.

(57) **CLAIM**

The ornamental design for a bottle, as shown and described.

(56) **References Cited**

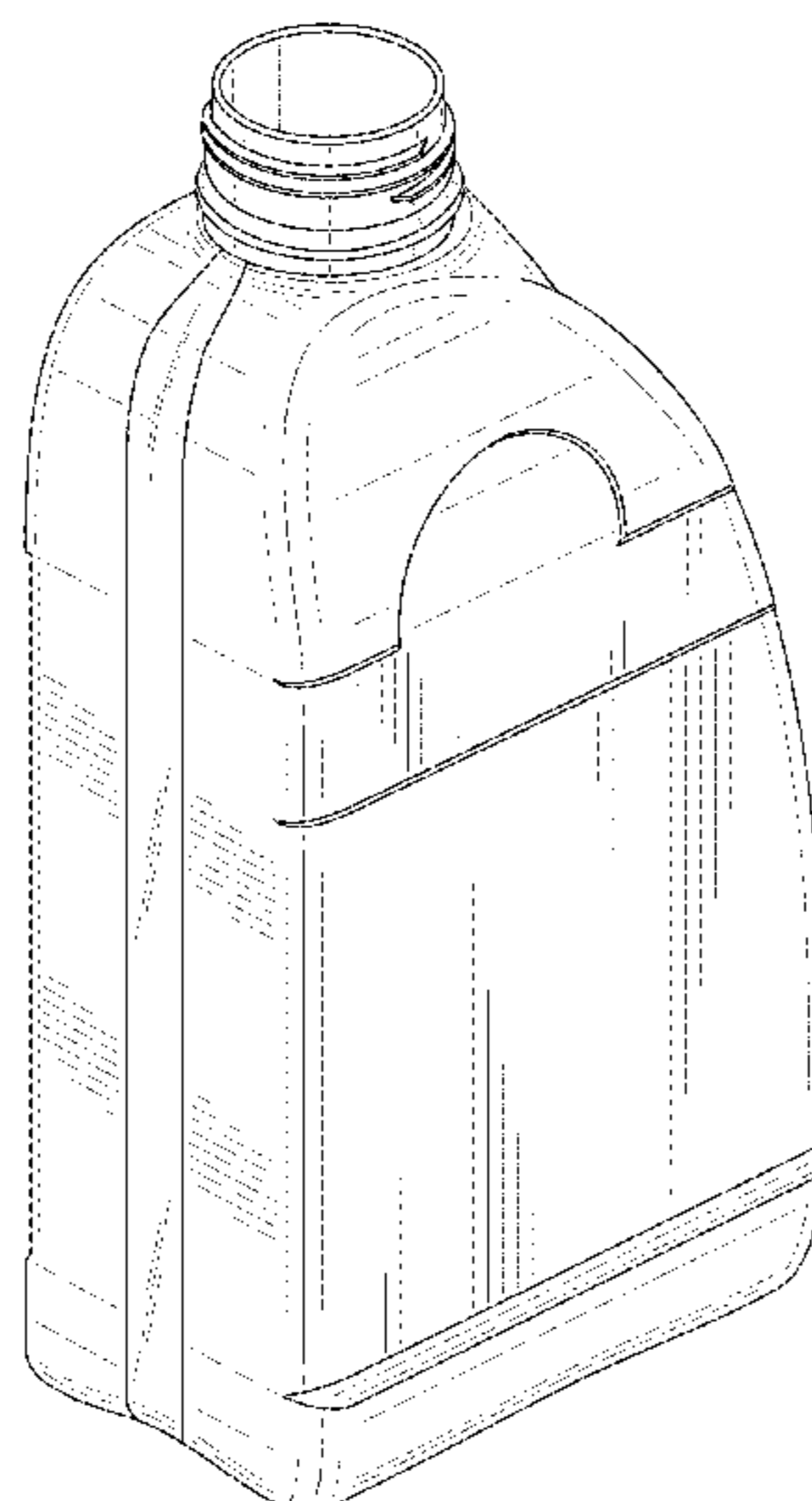
DESCRIPTION

U.S. PATENT DOCUMENTS

D352,904 S * 11/1994 Kearse D9/523
D354,916 S * 1/1995 Park D9/523

FIG. 1 is a left, front perspective view of a bottle according to the design;
FIG. 2 is a left, rear perspective view thereof;
FIG. 3 is a right, rear perspective view thereof;
FIG. 4 is a front view thereof;
FIG. 5 is a left side view thereof; and,
FIG. 6 is a right side view thereof.

1 Claim, 6 Drawing Sheets



(56)

References Cited

U.S. PATENT DOCUMENTS

D747,206 S * 1/2016 Welter D9/523
D784,817 S * 4/2017 Heisner D9/523
D786,077 S * 5/2017 Chung D23/211
D788,588 S * 6/2017 Heisner D9/523
D792,778 S * 7/2017 Duke D9/541

OTHER PUBLICATIONS

Red motor oil container on white background. Online, published date unknown. Retrieved on Sep. 14, 2017 from URL: <http://www.alamy.com/stock-photo-red-motor-oil-container-on-white-background-26081317.html>.*

* cited by examiner

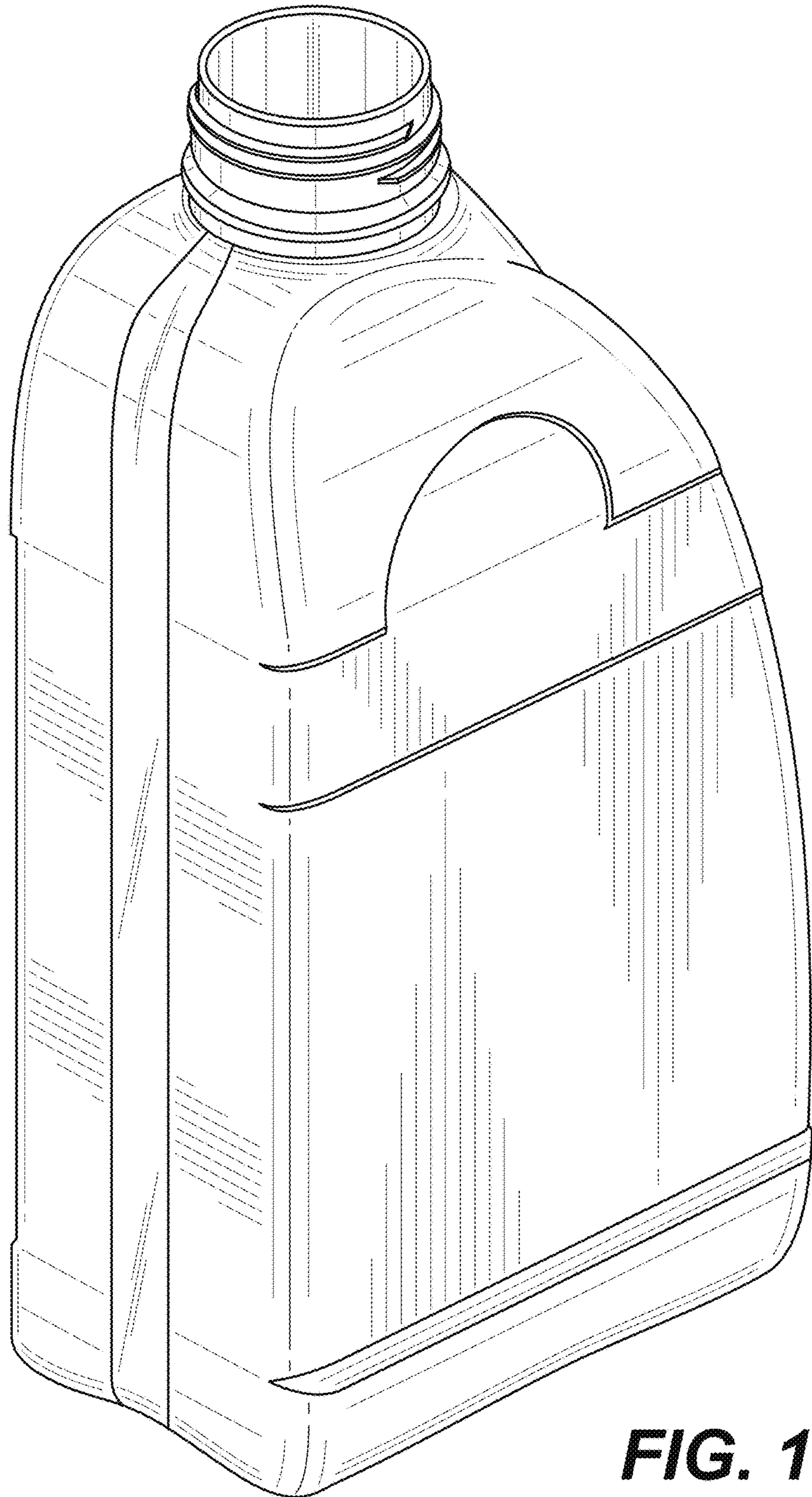


FIG. 1

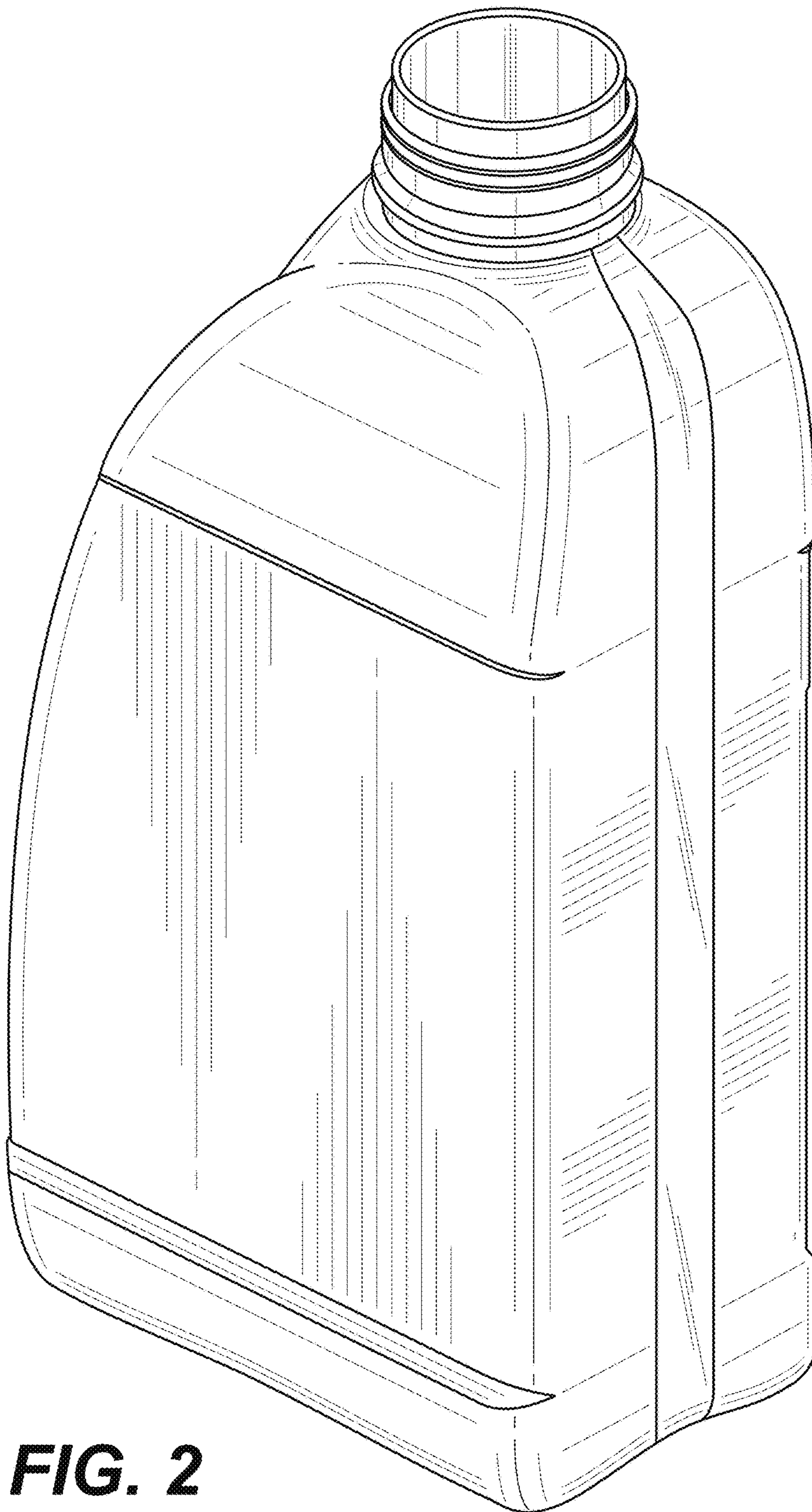


FIG. 2

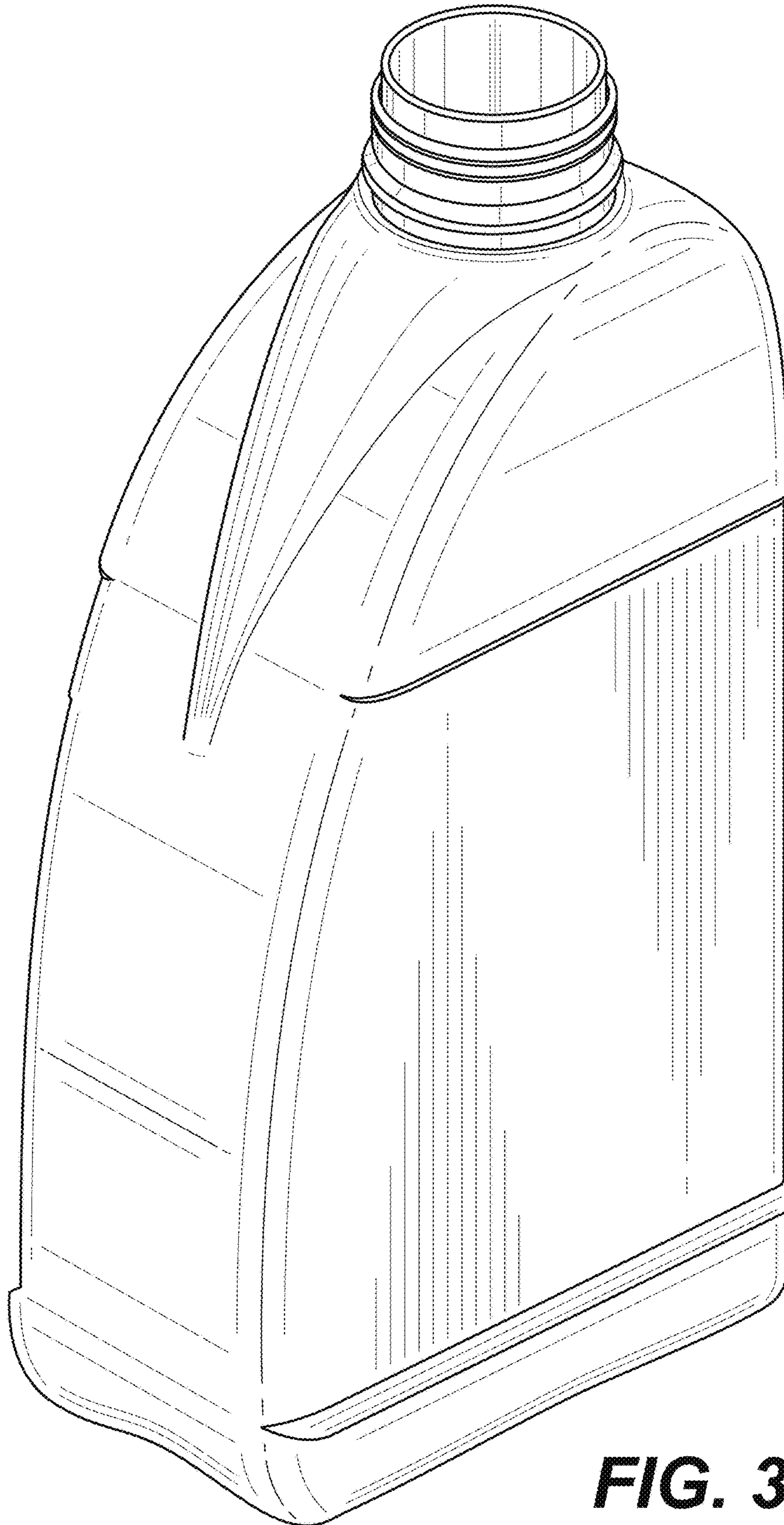


FIG. 3

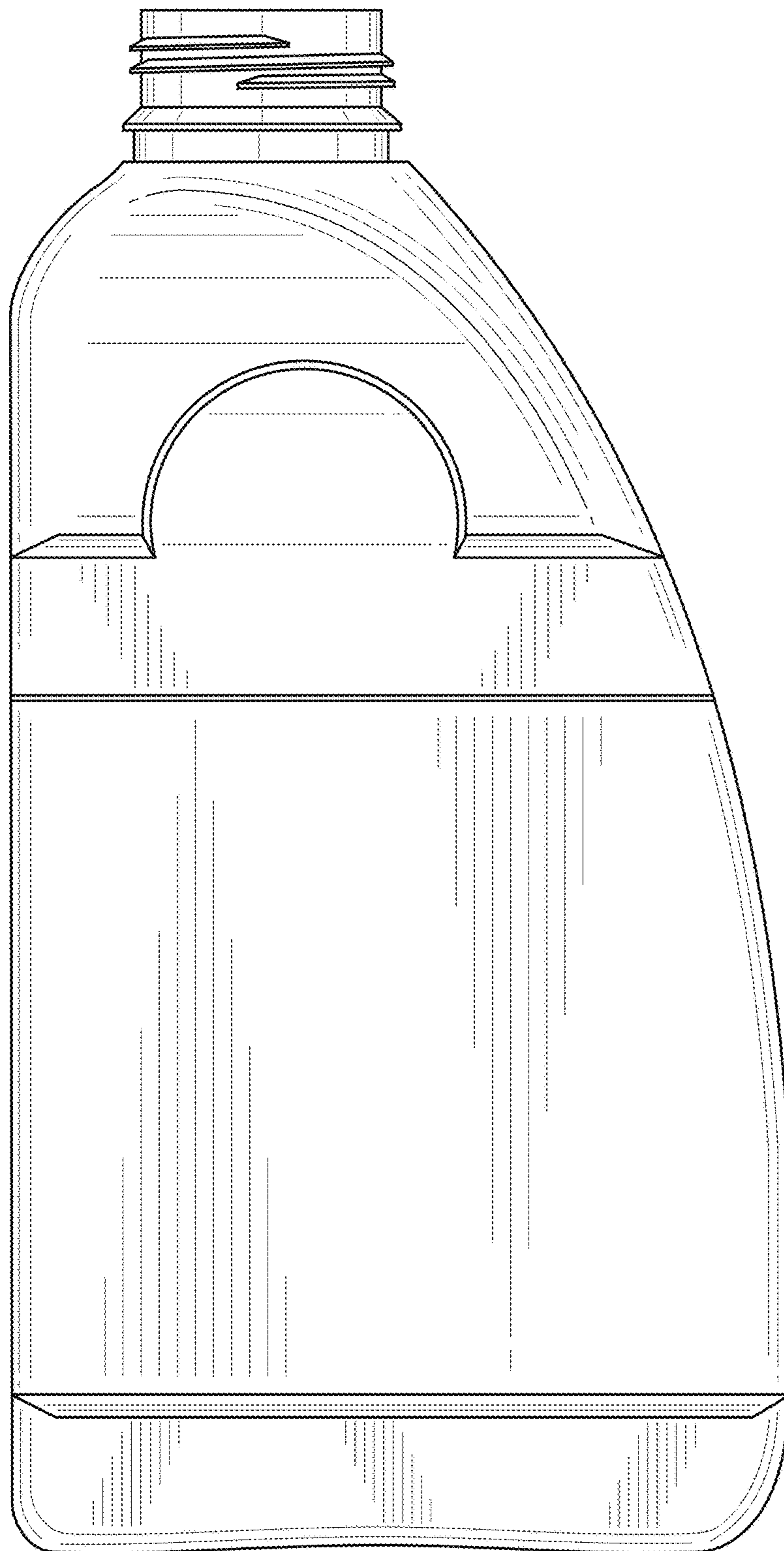


FIG. 4

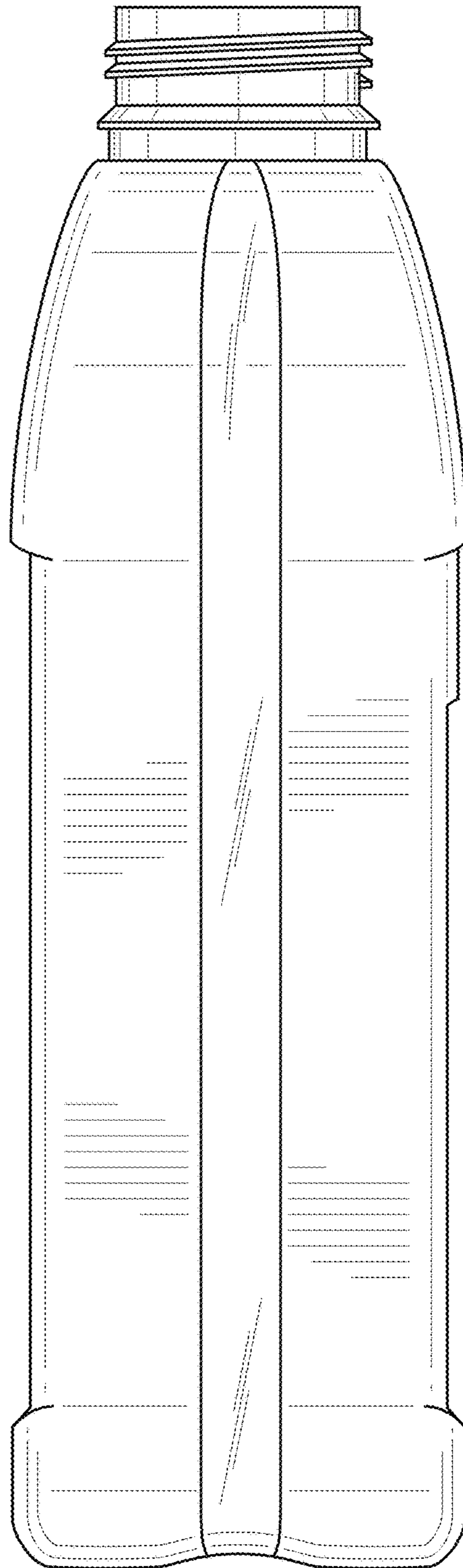


FIG. 5

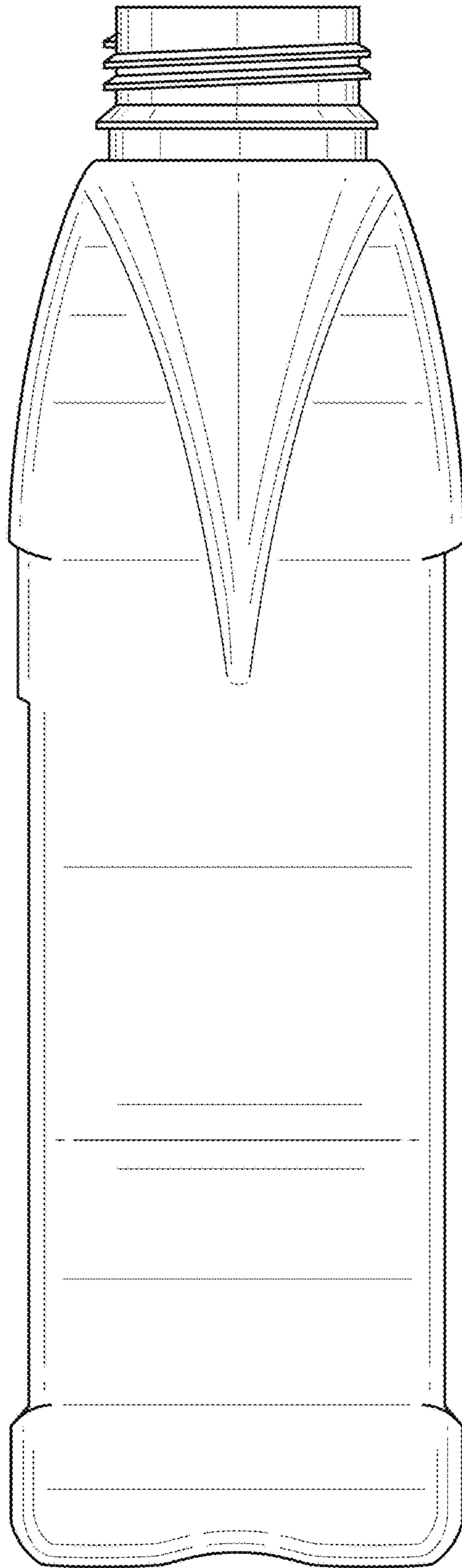


FIG. 6