



US00D814302S

(12) **United States Design Patent**  
**Peng**

(10) **Patent No.:** **US D814,302 S**

(45) **Date of Patent:** **\*\* Apr. 3, 2018**

(54) **CONTAINER**

(71) Applicant: **Pandian Peng**, Shenzhen (CN)

(72) Inventor: **Pandian Peng**, Shenzhen (CN)

(\*\*) Term: **15 Years**

(21) Appl. No.: **29/557,506**

(22) Filed: **Mar. 9, 2016**

(51) **LOC (11) Cl.** ..... **09-01**

(52) **U.S. Cl.**

USPC ..... **D9/521**; D9/551; D9/652

(58) **Field of Classification Search**

USPC ..... D4/116; D6/515–516, 542–545;  
D7/300–322, 391–396.2, 509–511, 523,  
D7/589, 598, 612, 615, 619.1; D9/435,  
D9/436, 439, 440, 443, 447, 454, 500,  
D9/503–505, 516–575, 763–783;  
D24/197; D28/78, 82; 215/40–55,  
215/316–354, 370–385; 220/574–575;  
D14/195, 204, 207, 212, 216

CPC ..... B65D 1/00; B65D 1/02; B65D 1/0223;  
B65D 1/023; B65D 1/0276

See application file for complete search history.

(56) **References Cited**

**U.S. PATENT DOCUMENTS**

D306,137 S \* 2/1990 Nitta ..... D9/529  
D323,292 S \* 1/1992 Jones ..... D9/424  
D383,390 S \* 9/1997 Abfier ..... D9/520  
D398,238 S \* 9/1998 Bertolini ..... D9/520  
D427,073 S \* 6/2000 Gaffney ..... D9/520

D544,644 S \* 6/2007 Hartstock ..... D28/7  
D599,209 S \* 9/2009 Snyder ..... D9/435  
D612,263 S \* 3/2010 Miksovsky ..... D6/542  
D612,741 S \* 3/2010 Miksovsky ..... D6/542  
D638,713 S \* 5/2011 de Cleir ..... D9/521  
D650,679 S \* 12/2011 de Cleir ..... D9/521  
D697,809 S \* 1/2014 de Cleir ..... D9/521  
D720,994 S \* 1/2015 Peng ..... D9/521  
D726,024 S \* 4/2015 Peng ..... D9/521  
9,022,239 B2 \* 5/2015 MacKenzie ..... B65D 47/0871  
215/244  
D757,555 S \* 5/2016 Pires ..... D9/521  
D777,576 S \* 1/2017 Peng ..... D9/520

\* cited by examiner

*Primary Examiner* — Cathron C Brooks

*Assistant Examiner* — Christian P. McLean

(57) **CLAIM**

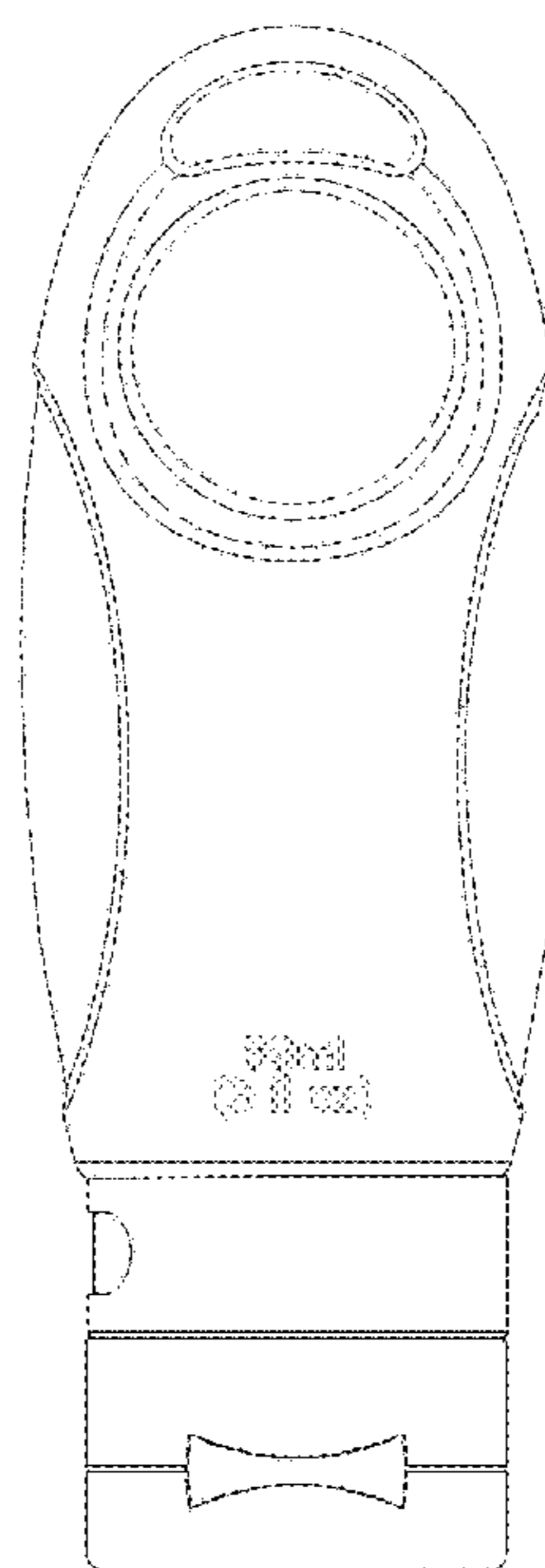
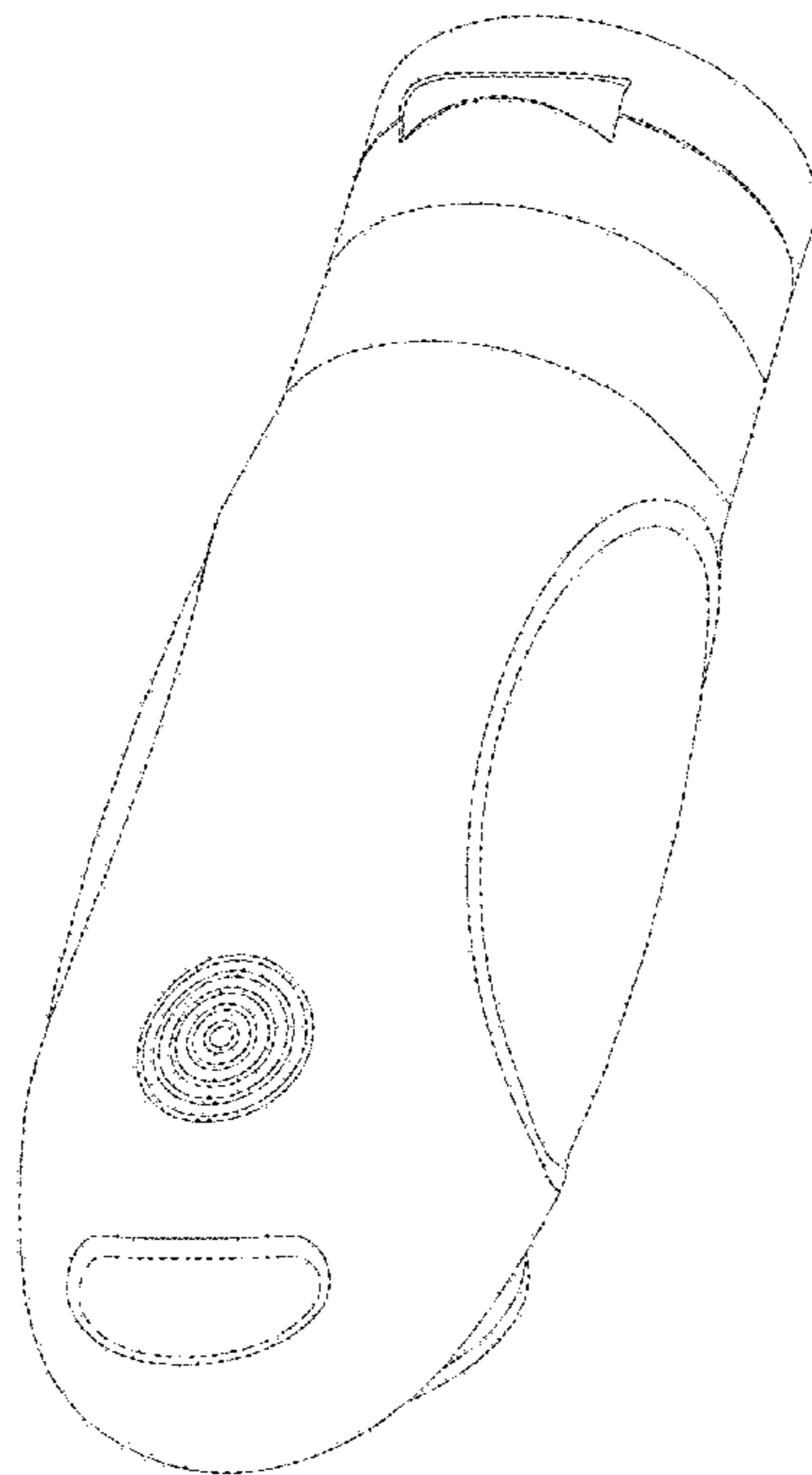
The ornamental design for a container, as shown and described.

**DESCRIPTION**

FIG. 1 is a perspective view of the container showing my new design;  
FIG. 2 is a front elevation view thereof;  
FIG. 3 is a back elevation view thereof;  
FIG. 4 is a left elevation view thereof;  
FIG. 5 is a right elevation view thereof;  
FIG. 6 is a top view thereof; and,  
FIG. 7 is a bottom view thereof.

The broken line showing of portions of the container forms no part of the claimed design.

**1 Claim, 7 Drawing Sheets**



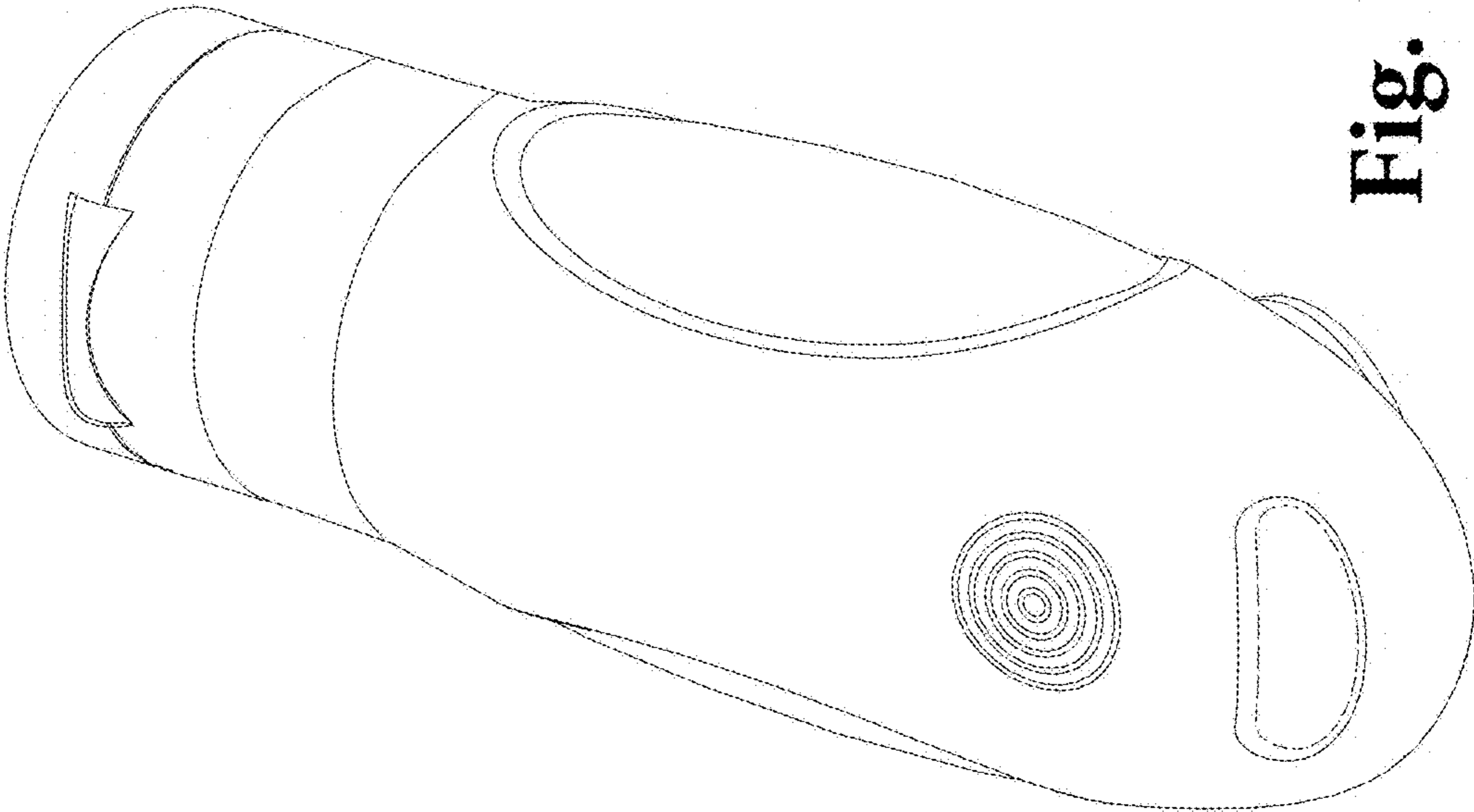


Fig. 1

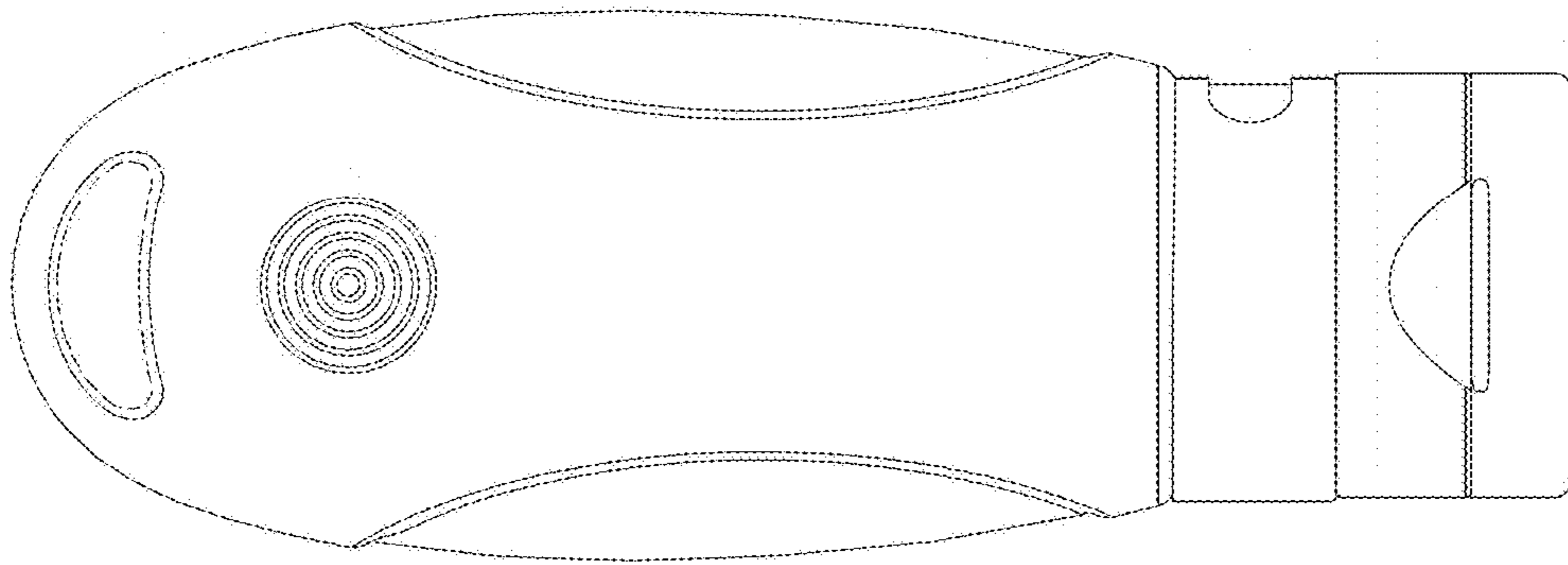


Fig. 2

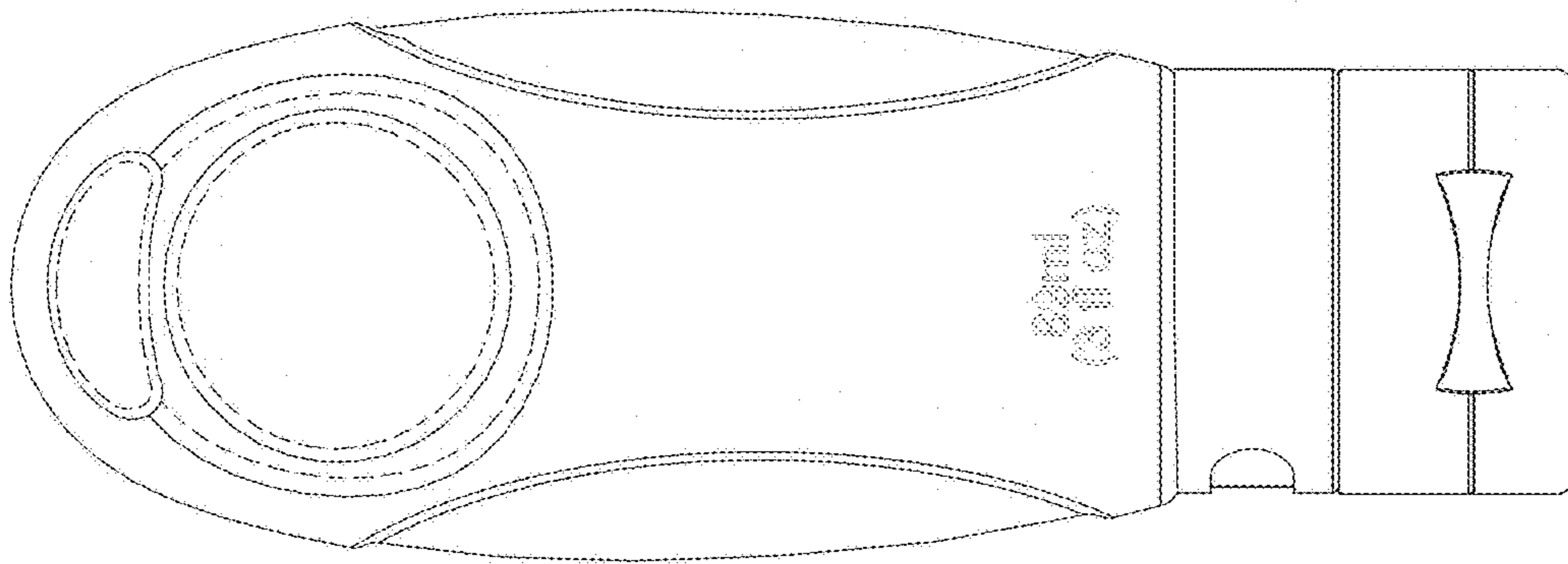


Fig. 3

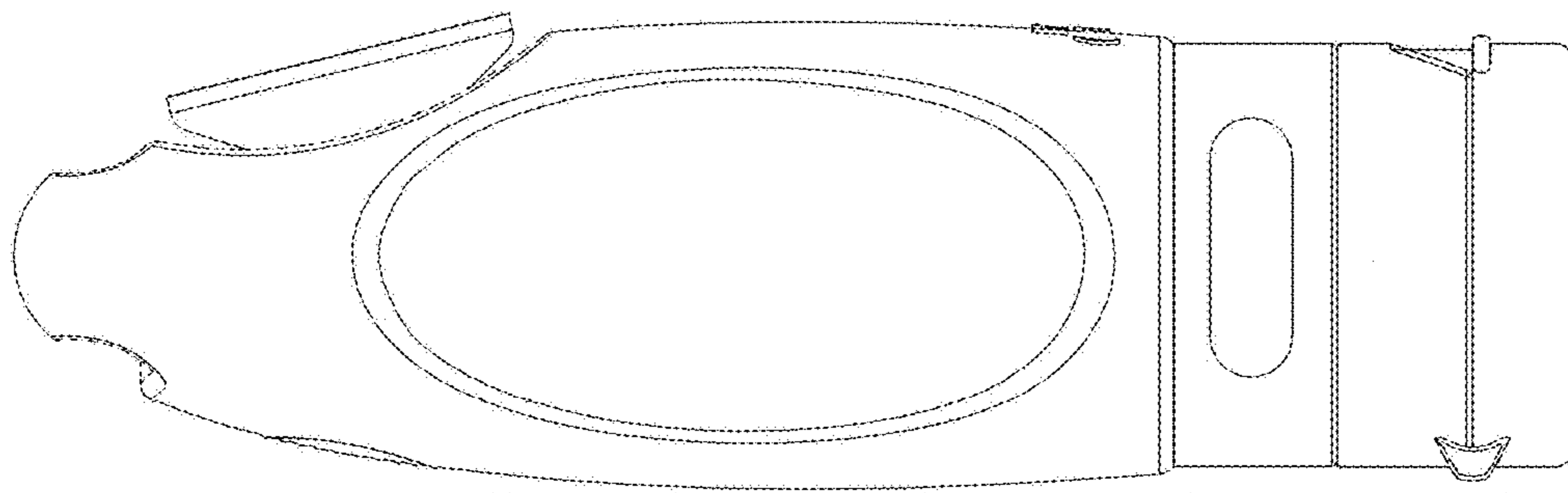


Fig. 4

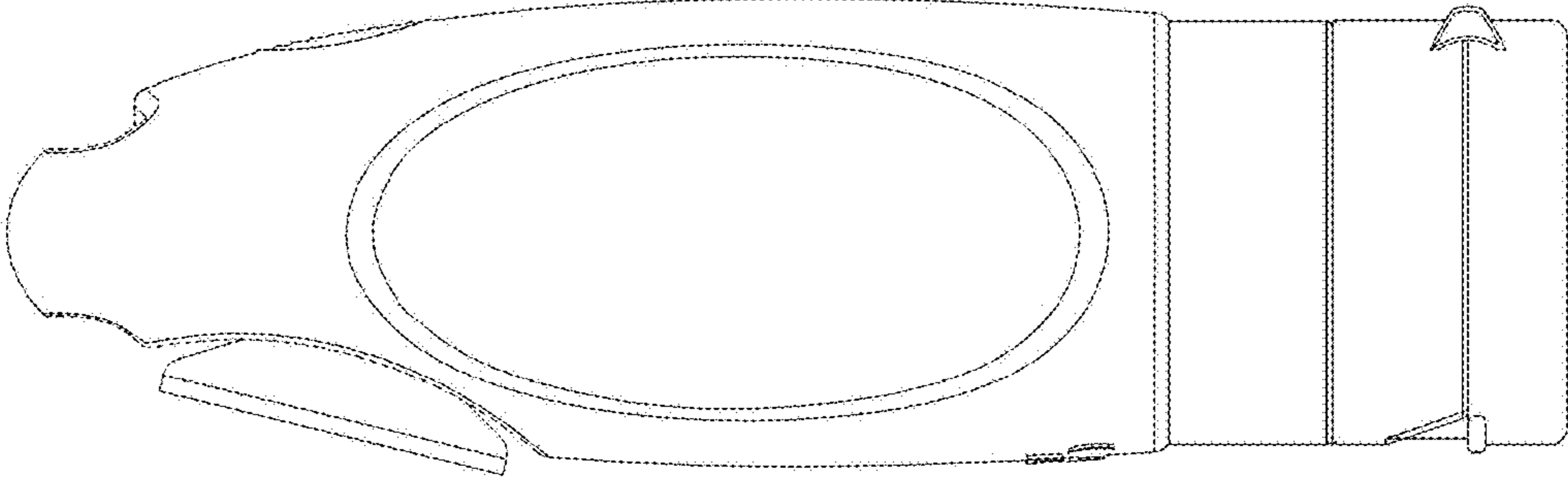


Fig. 5

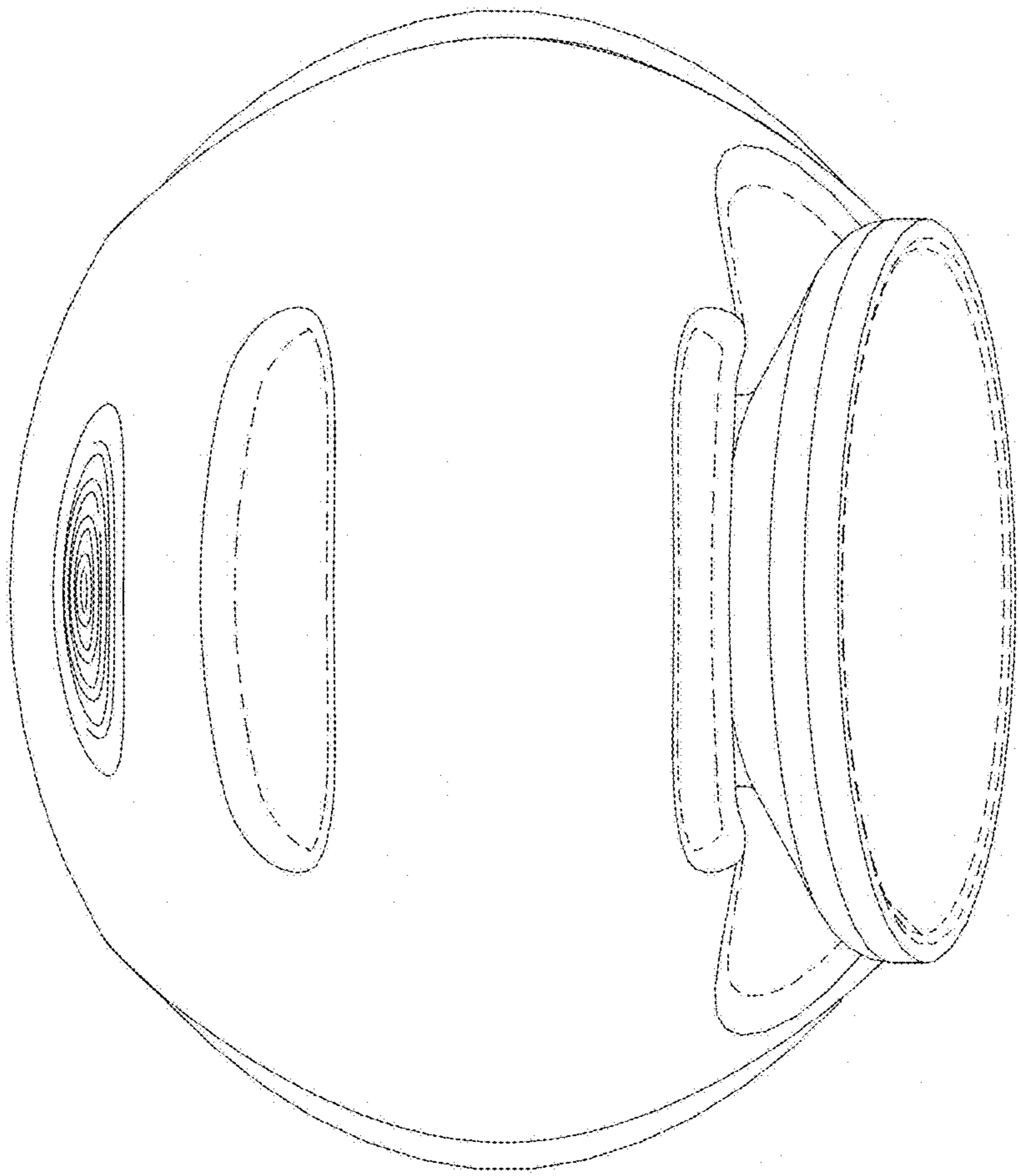


Fig. 6

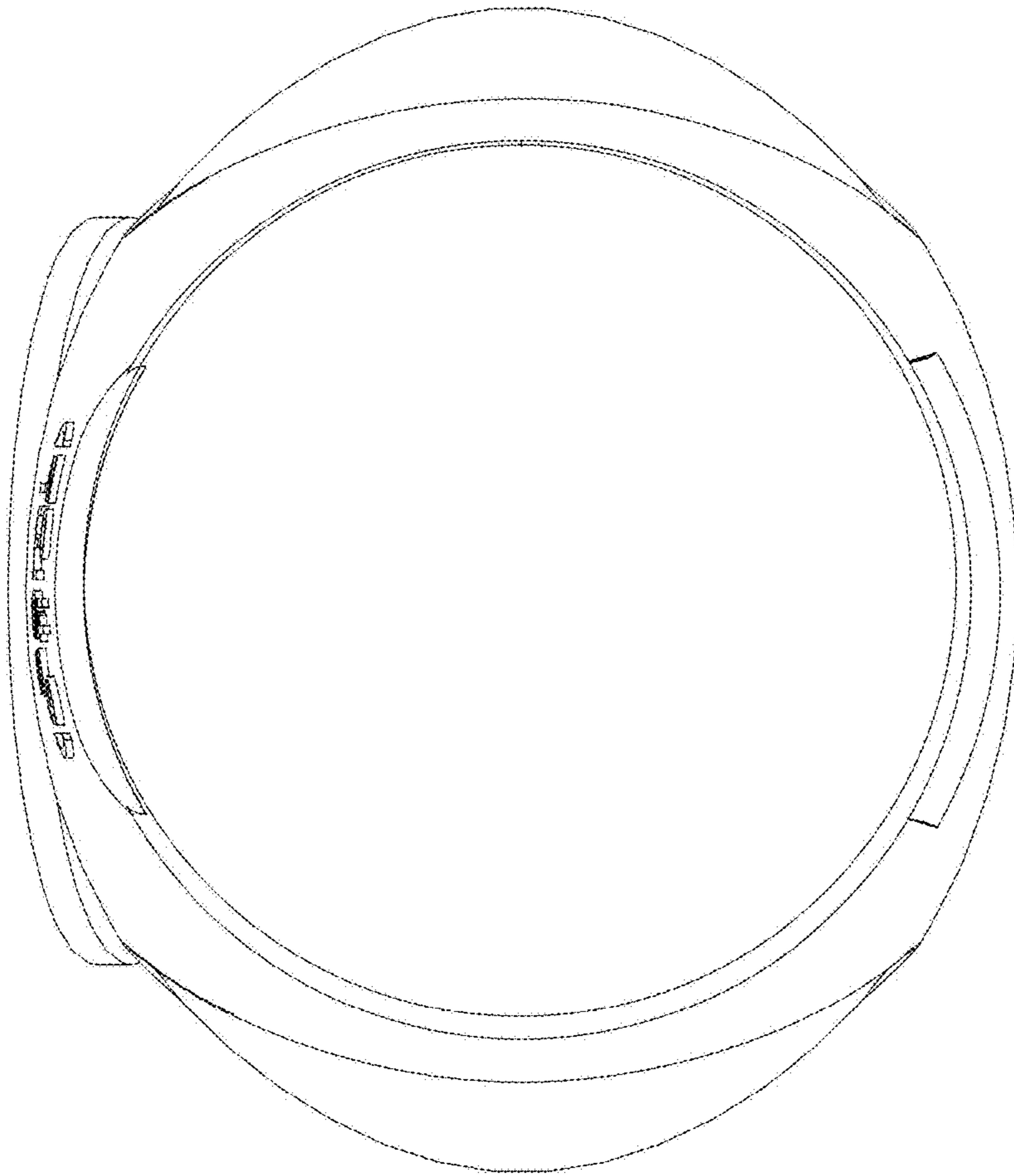


Fig. 7