



US00D814300S

(12) **United States Design Patent**
Hägglund et al.

(10) **Patent No.:** **US D814,300 S**

(45) **Date of Patent:** **** Apr. 3, 2018**

(54) **TRAY**

(71) Applicant: **SCA Forest Products AB**, Sundsvall (SE)

(72) Inventors: **Rickard Hägglund**, Sundsvall (SE);
Magnus Viström, Sundsvall (SE);
Petter Arnesson, Matfors (SE)

(73) Assignee: **SCA FOREST PRODUCTS AB**, Sundsvall (SE)

(**) Term: **15 Years**

(21) Appl. No.: **29/557,587**

(22) Filed: **Mar. 10, 2016**

(30) **Foreign Application Priority Data**

Sep. 10, 2015 (EM) 002769950

(51) **LOC (11) Cl.** **09-07**

(52) **U.S. Cl.**
USPC **D9/456; D9/432**

(58) **Field of Classification Search**
USPC D3/272, 273; D9/414, 415, 418, 424,
D9/425, 432-434, 455-457, 499;
D14/217, 238.1, 250, 251, 440, 447;
D7/396.1, 500, 550.1
CPC B65D 21/00
See application file for complete search history.

(56) **References Cited**

U.S. PATENT DOCUMENTS

D229,894 S *	1/1974	Relfers	D9/425
D247,025 S *	1/1978	Cherry	D3/312
D256,675 S *	9/1980	Lubsen	D9/456
D283,312 S *	4/1986	Ebrahim	D9/434
D407,019 S *	3/1999	Arima	D9/456
D411,746 S *	6/1999	Arima	D9/456
D562,136 S *	2/2008	Bernstein	D9/455

D600,113 S *	9/2009	Edwards	D9/425
D676,056 S *	2/2013	Liang	D14/447
D678,052 S *	3/2013	Bakker	D9/433
D686,498 S *	7/2013	Rego	D9/456
D687,708 S *	8/2013	Baker	D9/434
D708,951 S *	7/2014	Studt	D9/456

(Continued)

OTHER PUBLICATIONS

Arcwise. Gallery. Feb. 24, 2016 [earliest online date], [site visited Jul. 12, 2017]. Available from Internet, <URL:http://arcwise.se/>.*

(Continued)

Primary Examiner — Robert M. Spear
Assistant Examiner — Darcey E Heflin

(74) *Attorney, Agent, or Firm* — Buchanan Ingersoll & Rooney PC

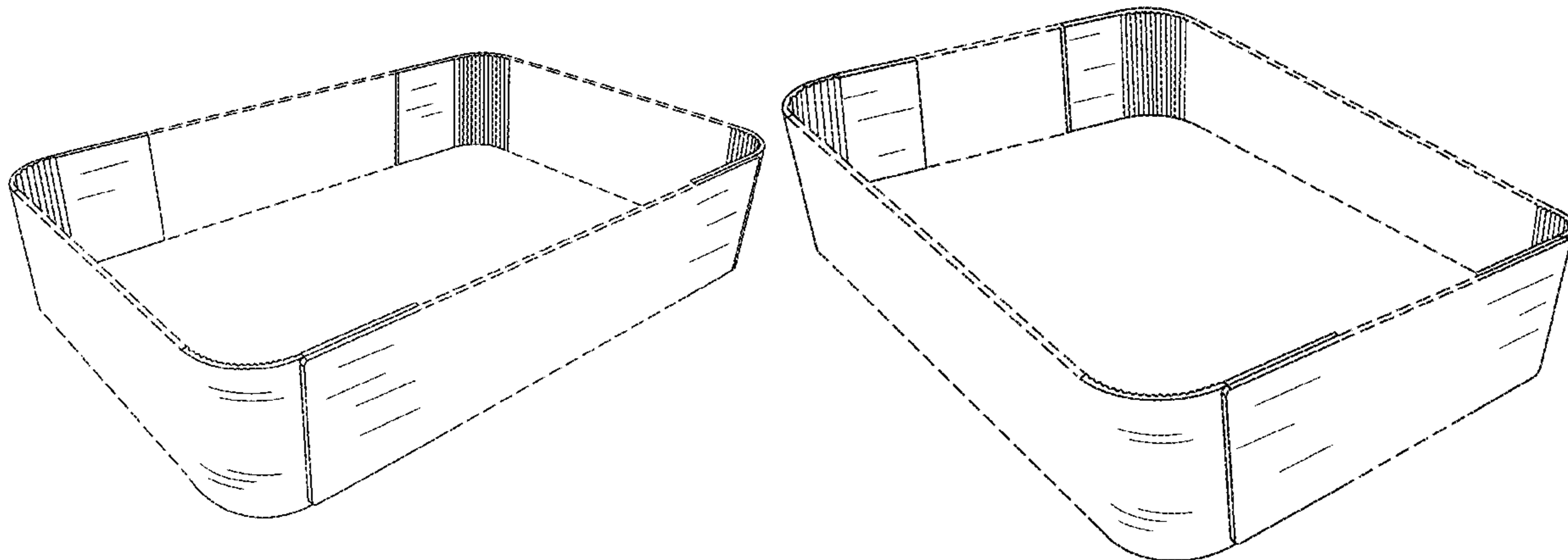
(57) **CLAIM**

The ornamental design for a tray, as shown and described.

DESCRIPTION

FIG. 1 is a front, left perspective view of a tray showing a first embodiment our new design.
FIG. 2 is a front elevational view thereof.
FIG. 3 is a left side elevational view thereof.
FIG. 4 is a top plan view thereof.
FIG. 5 is a bottom plan view thereof.
FIG. 6 is a front, left perspective view of a tray showing a second embodiment our new design.
FIG. 7 is a front elevational view thereof.
FIG. 8 is a left side elevational view thereof.
FIG. 9 is a top plan view thereof; and,
FIG. 10 is a bottom plan view thereof.
The broken line showing of portions of the side walls of the tray and the bottom of the tray is for environmental purposes only and forms no part of the claimed design.

1 Claim, 6 Drawing Sheets



(56)

References Cited

U.S. PATENT DOCUMENTS

D761,236 S * 7/2016 Wengreen D14/238.1
D762,203 S * 7/2016 Chin D14/250

OTHER PUBLICATIONS

Youtube. Arcwise Tray Filling. Apr. 19, 2016 [earliest online date], [site visited Jul. 12, 2017]. Available from Internet, <URL:https://www.youtube.com/watch?v=gFnq2giq78Y>.*

Pastry Chef's Boutique. Pavoni Stainless Steel Smooth Rectangular Rounded Corder Tart Ring. 2017 [earliest date], [visited Aug. 1, 2017]. Available from Internet, <URL:https://www.pastrychefsboutique.com/pavoni/649067-pavoni-x08-pavoni-stainless-steel-smooth-rectangular-rounded-corder-tart-ring-314x11x075-insert-for-the-xf08-rectangle-tart-ring.html>.*

Pastry Chef's Boutique. Pavoni Smooth Rectangular Tart Ring. 2017 [earliest online date], [site visited Aug. 1, 2017]. Available from Internet, https://www.pastrychefsboutique.com/pavoni/648061-pavoni-x288020-pavoni-smooth-rectangular-tart-ring-28cm-x-8cm-x-2cm-11x314x075-rectangle-tart-rings.html.*

* cited by examiner

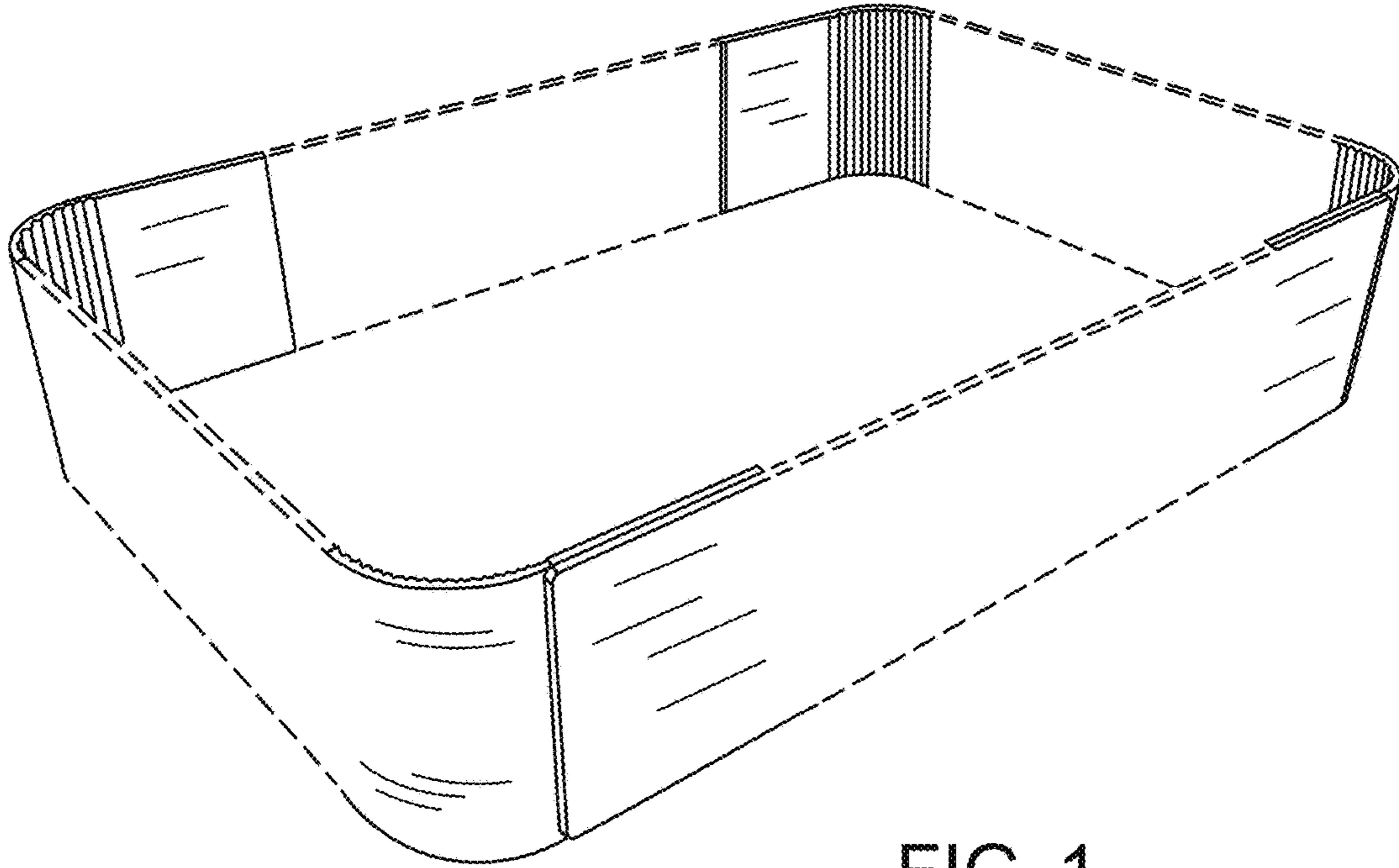


FIG. 1



FIG. 2



FIG. 3

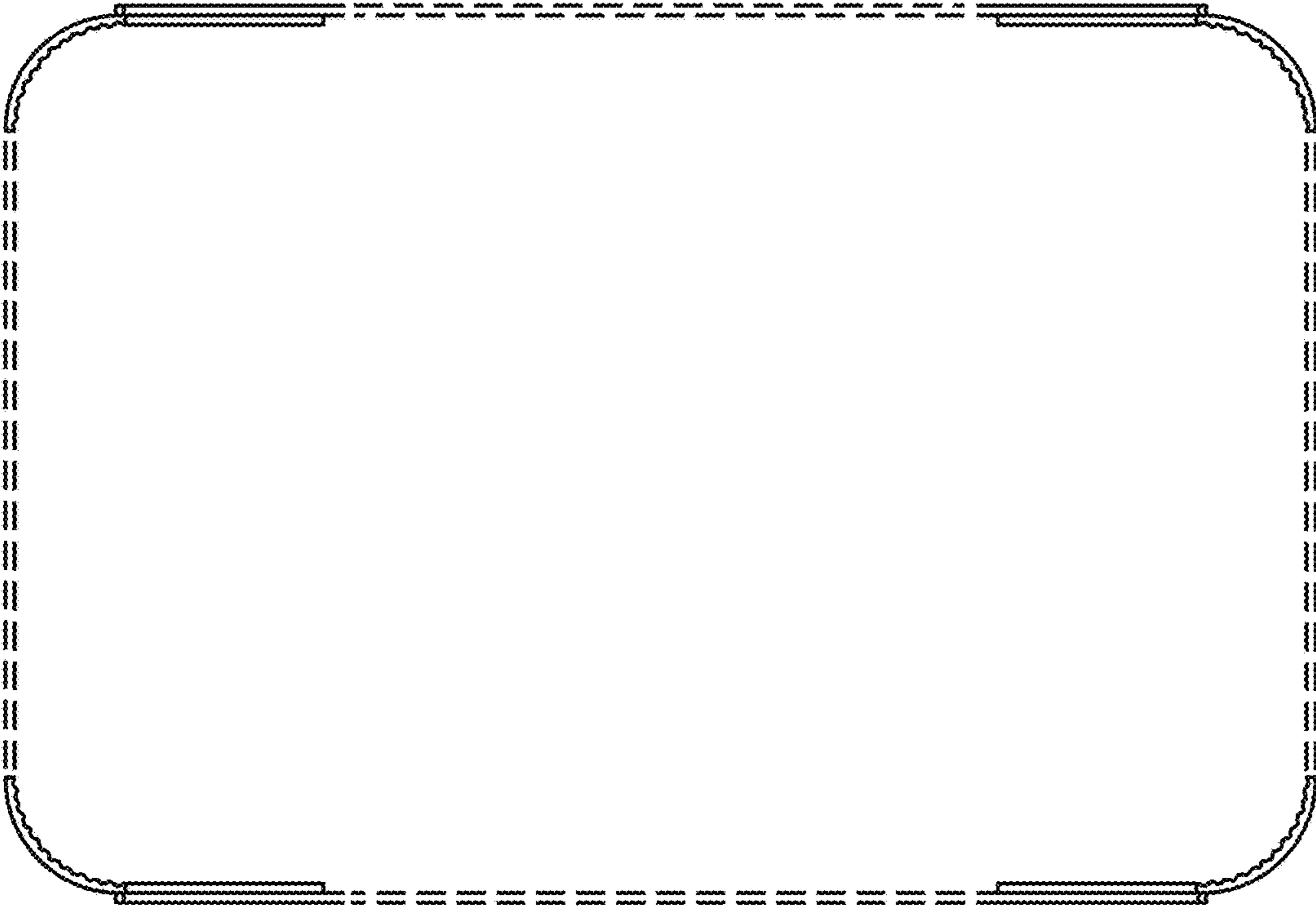


FIG. 4



FIG. 5

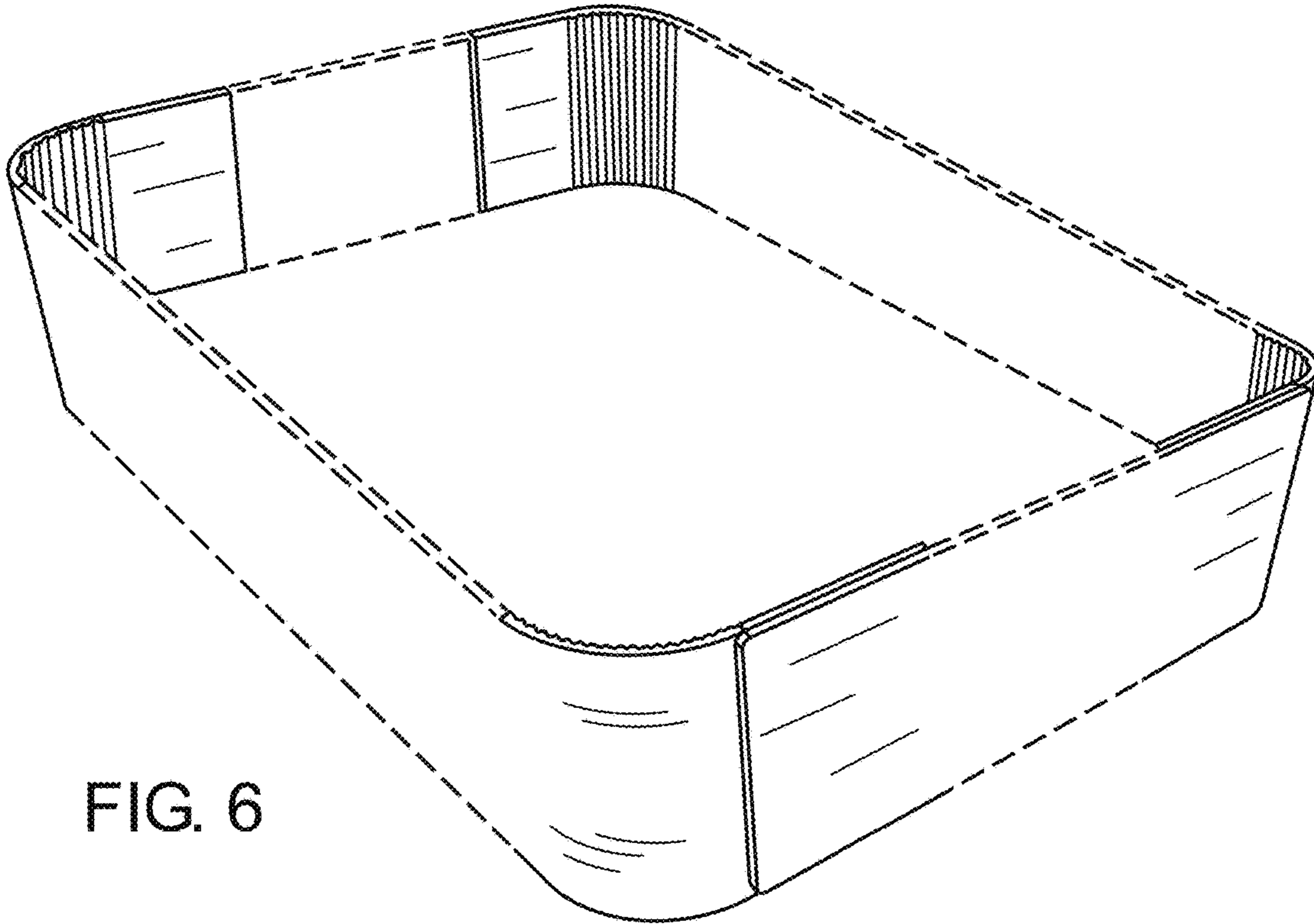


FIG. 6



FIG. 7



FIG. 8



FIG. 9



FIG. 10