



US00D814298S

(12) **United States Design Patent**  
**Ramon**

(10) **Patent No.:** **US D814,298 S**

(45) **Date of Patent:** **\*\* Apr. 3, 2018**

(54) **CAP**

2543/00296; B65D 2543/00694; B65D  
2543/00805; B65D 2571/0066; B65D  
2585/36

(71) Applicant: **HENKEL AG & CO. KGAA**,  
Düsseldorf (DE)

See application file for complete search history.

(72) Inventor: **Willem Ramon**, Woerden (NL)

(56) **References Cited**

(73) Assignee: **Henkel AG & Co. KGaA** (DE)

U.S. PATENT DOCUMENTS

(\*\*) Term: **15 Years**

D452,437 S *	12/2001	Bezek	.....	D9/502
D452,438 S *	12/2001	Bezek	.....	D9/502
D452,823 S *	1/2002	Bezek	.....	D9/502
D452,824 S *	1/2002	Bezek	.....	D9/502
D478,005 S *	8/2003	Sali	.....	D9/435
D607,329 S *	1/2010	Diss	.....	D7/587
D607,727 S *	1/2010	Takata	.....	D9/428
D672,649 S *	12/2012	Cummings	.....	D9/445

(21) Appl. No.: **35/501,336**

(22) Filed: **Feb. 4, 2016**

(80) **Hague Agreement Data**

Int. Filing Date: **Feb. 4, 2016**

Int. Reg. No.: **DM/090284**

Int. Reg. Date: **Feb. 4, 2016**

Int. Reg. Pub. Date: **Aug. 5, 2016**

\* cited by examiner

*Primary Examiner* — Keli L Hill

(74) *Attorney, Agent, or Firm* — Thomas G. Krivulka

(51) **LOC (11) Cl.** ..... **09-01**

(52) **U.S. Cl.**  
USPC ..... **D9/444; D9/454**

(57) **CLAIM**

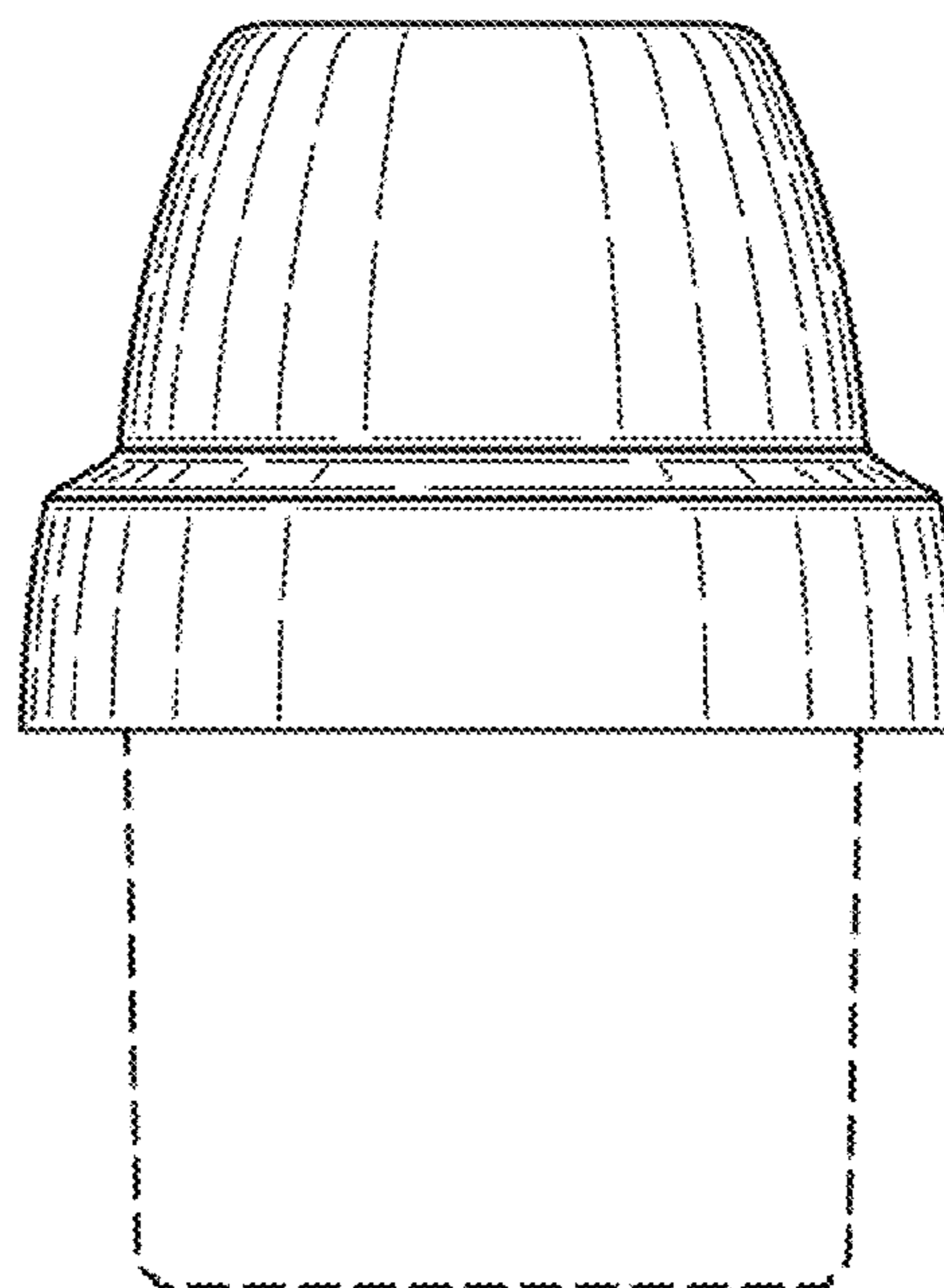
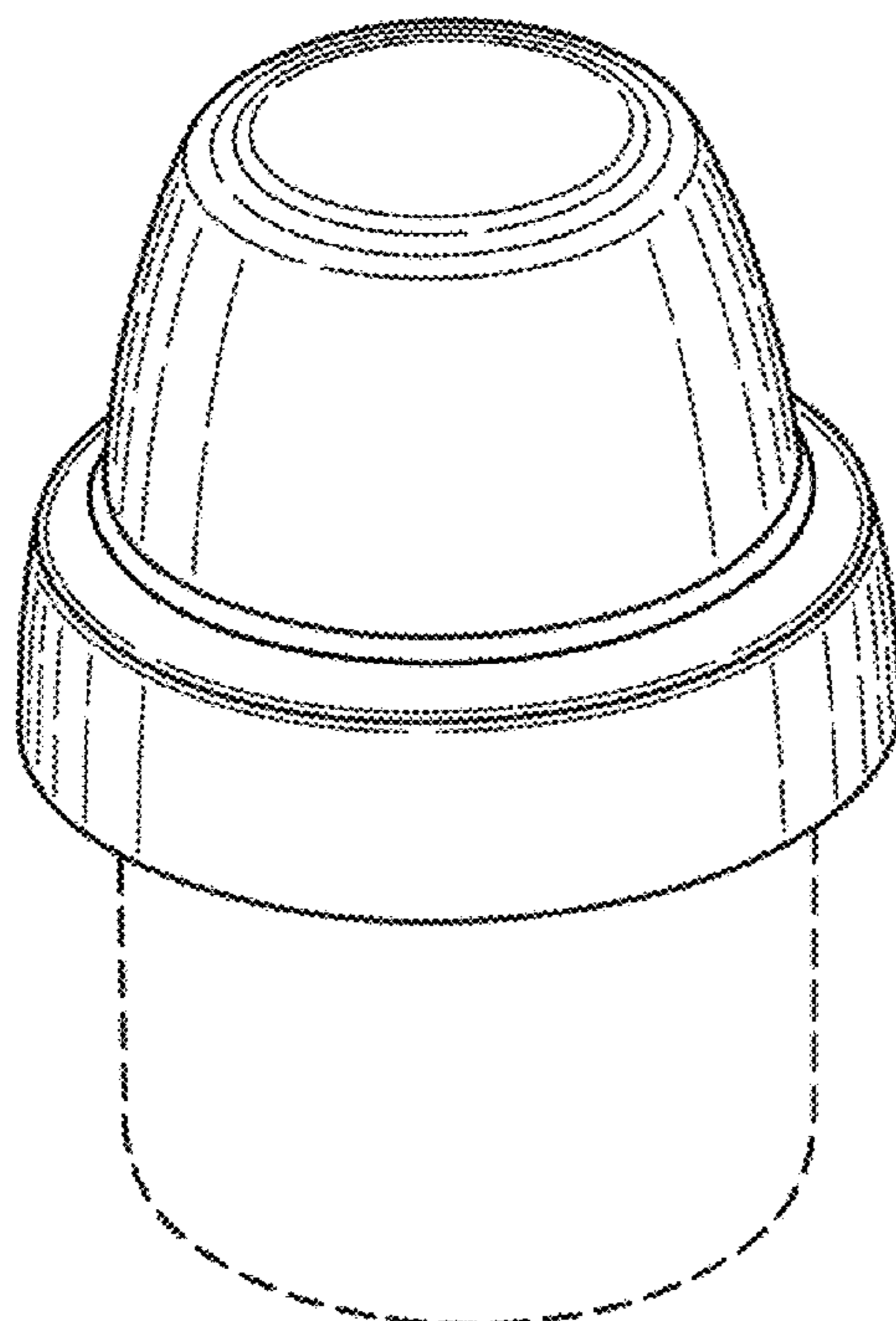
The ornamental design for a cap, as shown and described.

(58) **Field of Classification Search**  
USPC ..... D9/434, 435, 444, 445, 454, 503, 504,  
D9/529; 229/87.01, 87.08–87.09;  
426/118, 128  
CPC ... A23B 7/148; A23L 3/2418; A23V 2002/00;  
A47G 1/001; B65D 65/04; B65D 65/14;  
B65D 65/22; B65D 75/08; B65D 75/322;  
B65D 77/08; B65D 77/225; B65D  
81/3461; B65D 85/36; B65D 85/60;  
B65D 2101/0015; B65D 2205/00; B65D

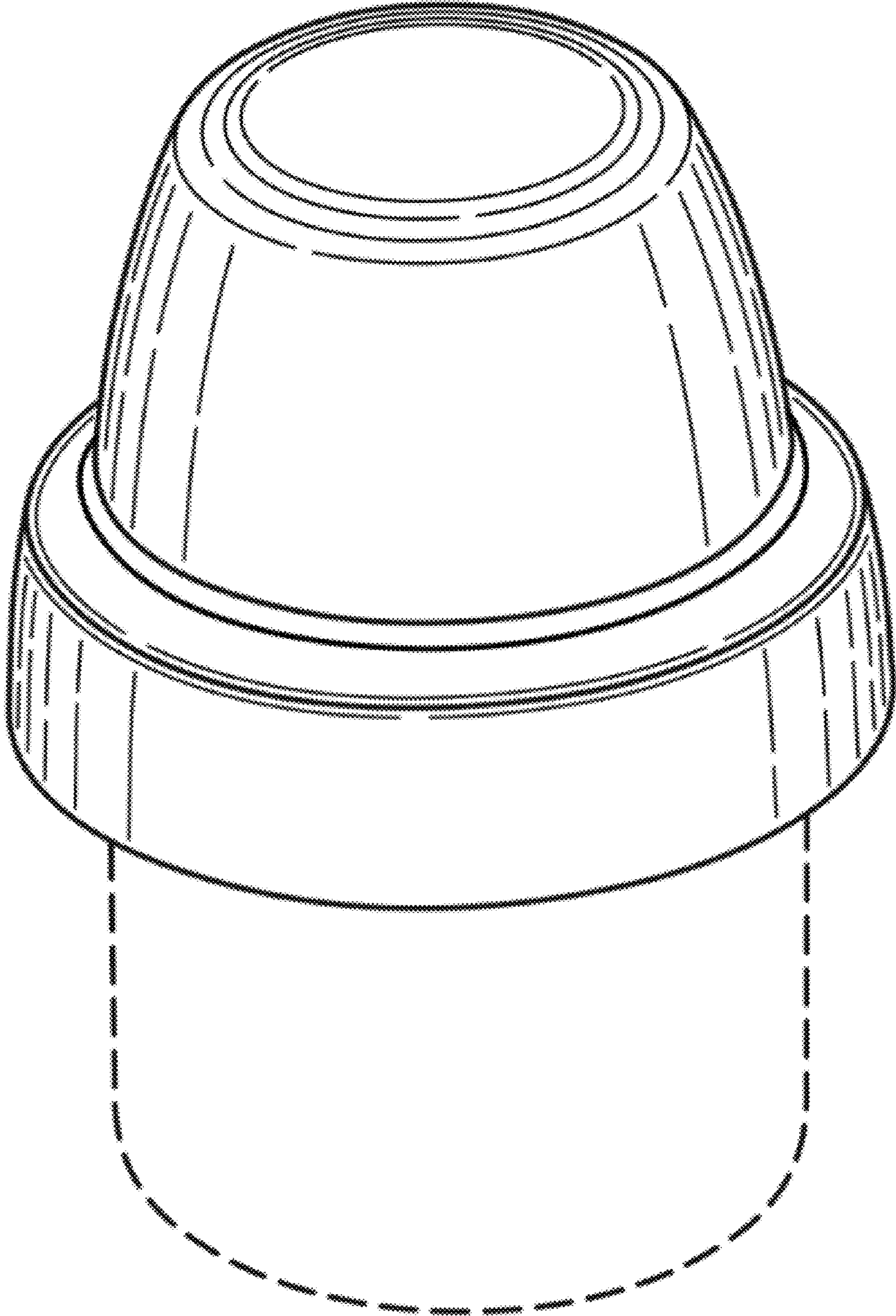
**DESCRIPTION**

- 1. Cap
- 1.1 is a perspective view.
- 1.2 is a front elevation view.
- 1.3 is a rear elevation view.
- 1.4 is a side elevation view.
- 1.5 is an opposite side elevation view.
- 1.6 is a top plan view.
- 1.7 is a bottom plan view.

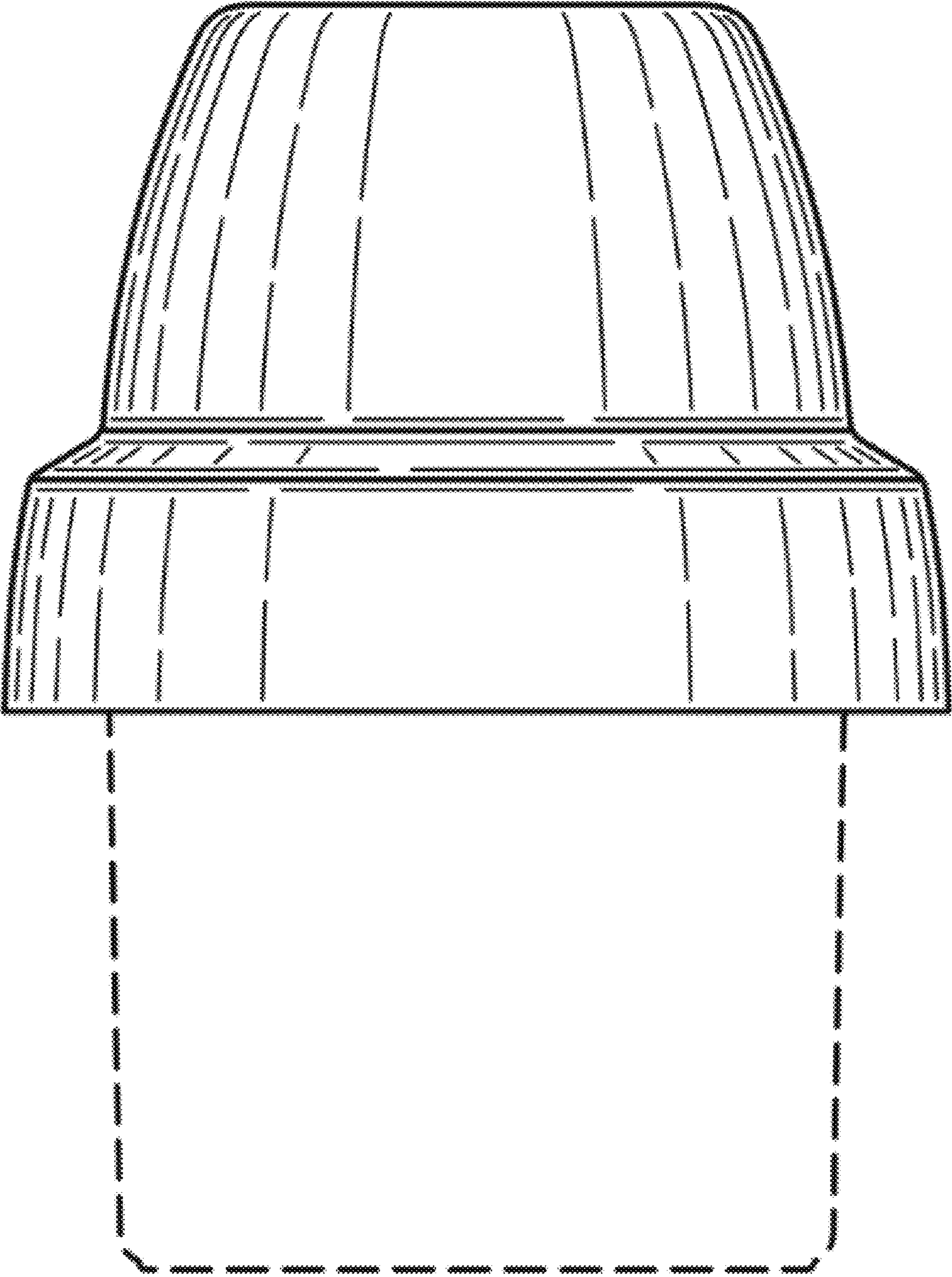
**1 Claim, 7 Drawing Sheets**



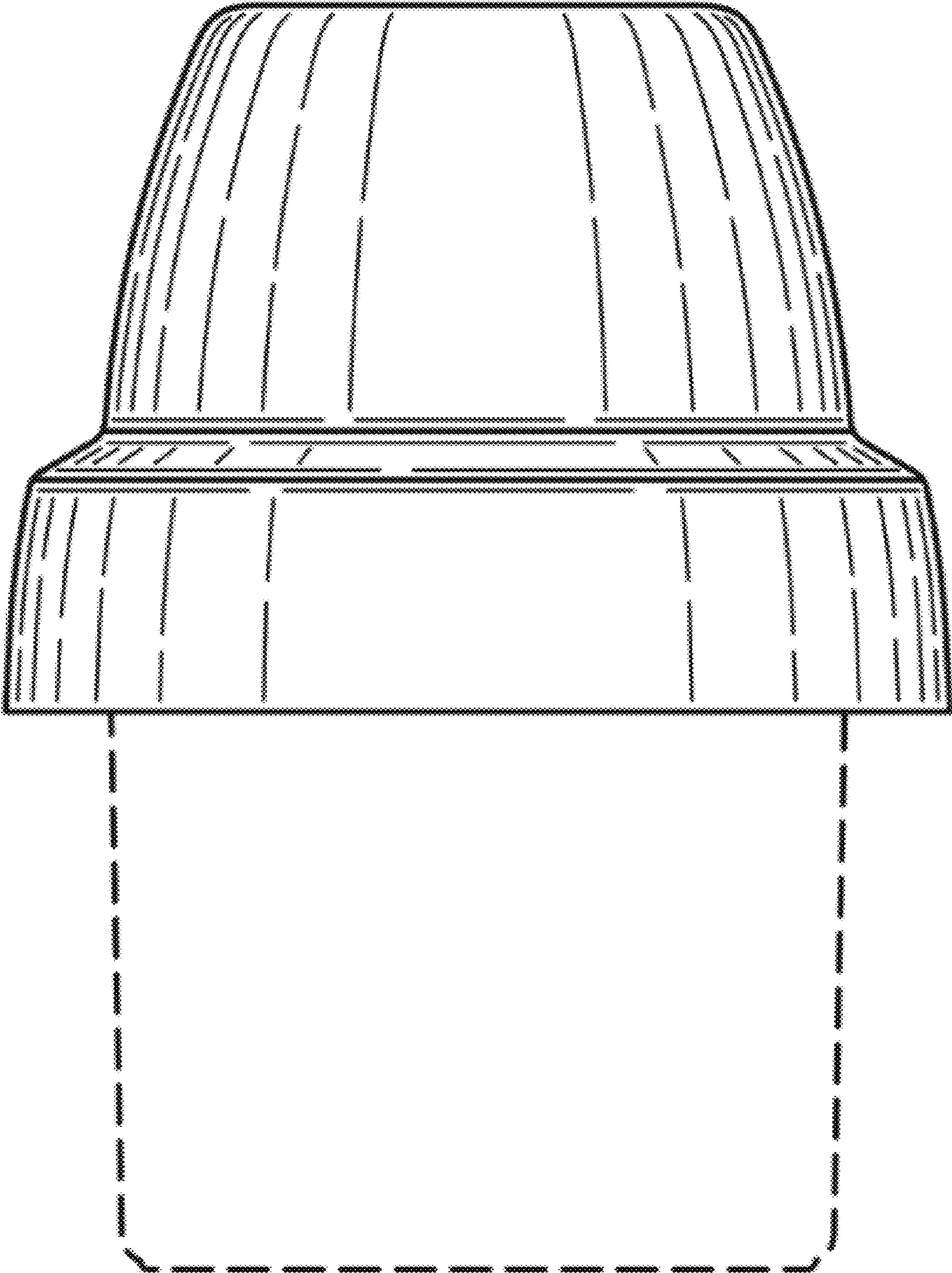
**1.1**



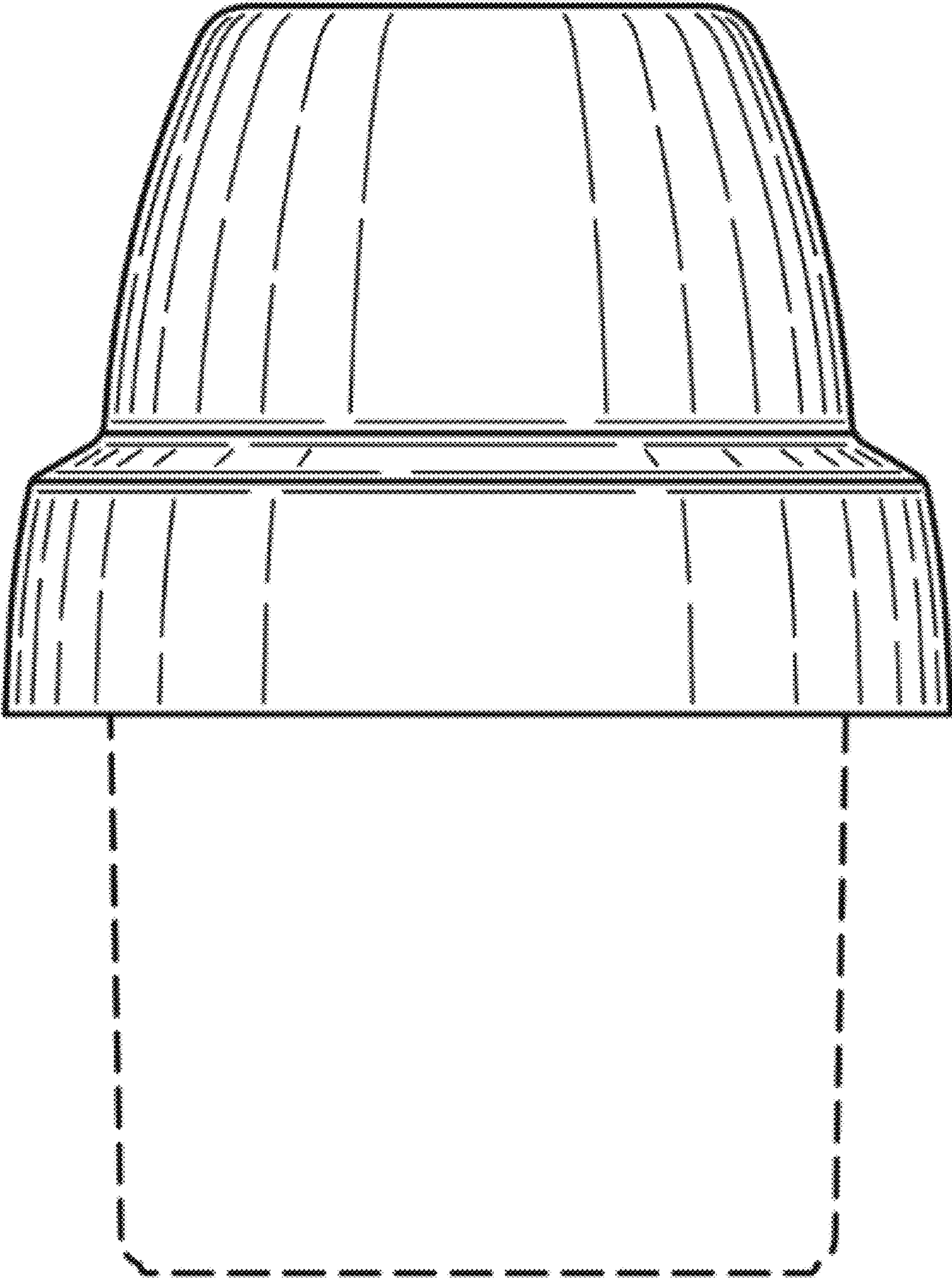
1.2



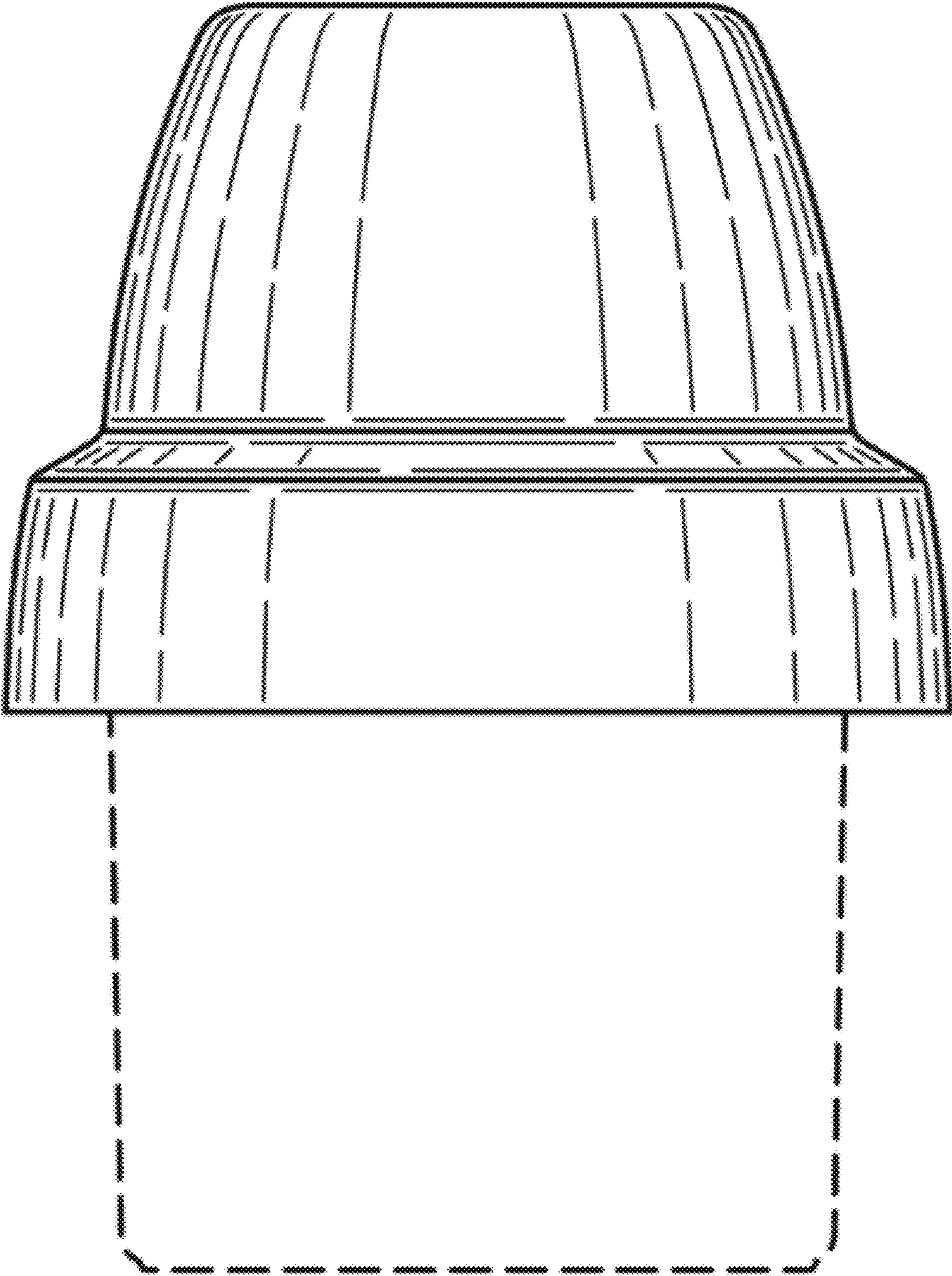
1.3



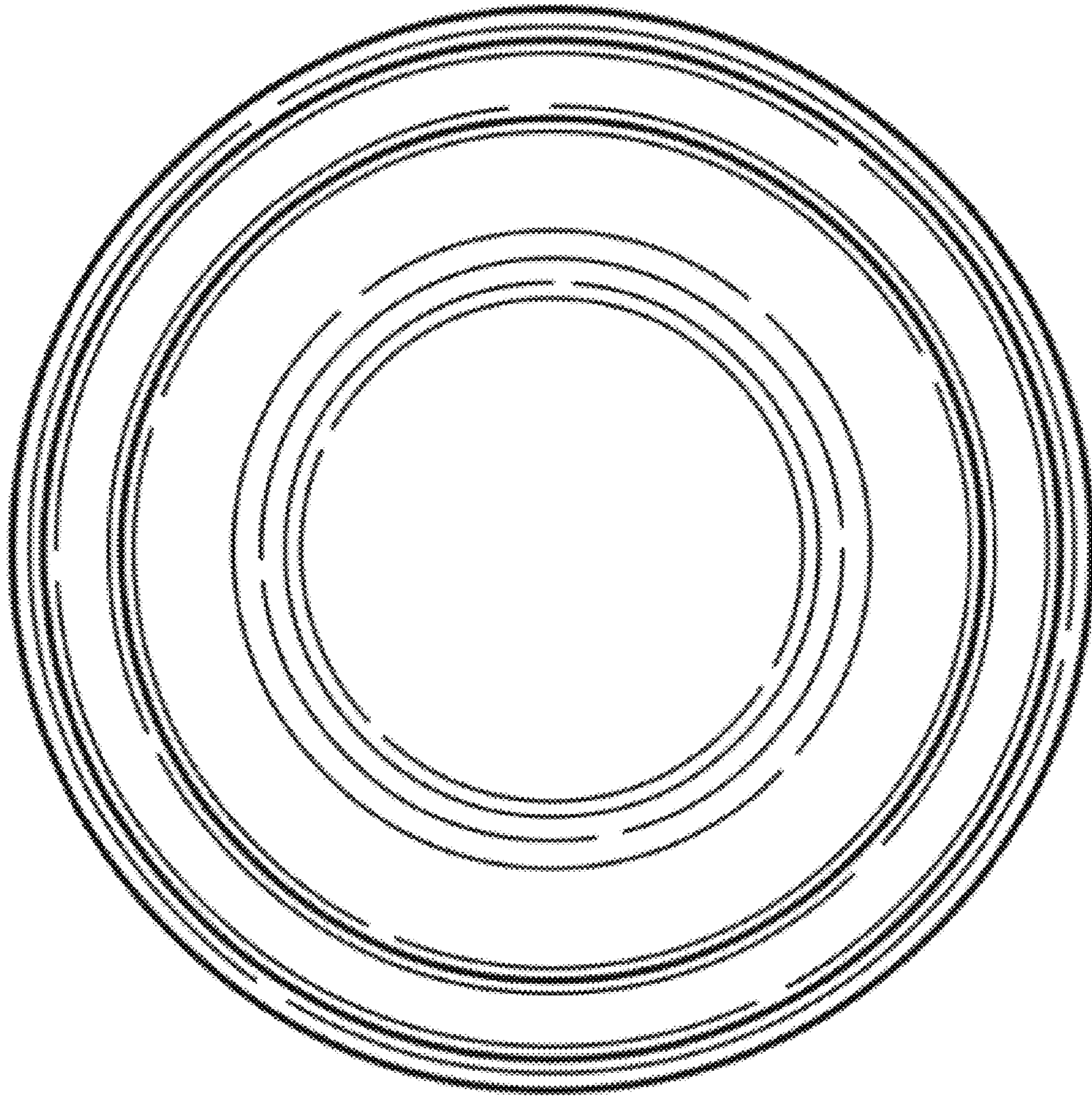
1.4



1.5



**1.6**



**1.7**

