



US00D814297S

(12) **United States Design Patent**
Silsby et al.

(10) **Patent No.:** **US D814,297 S**

(45) **Date of Patent:** **** Apr. 3, 2018**

(54) **BEVERAGE CONTAINER LID**

(71) Applicant: **Pacific Market International, LLC**,
Seattle, WA (US)

(72) Inventors: **Jacob D. Silsby**, Settle, WA (US);
Evan Michael Choltco-Devlin,
Ellensburg, WA (US)

(73) Assignee: **Pacific Market International, LLC**,
Seattle, WA (US)

(**) Term: **15 Years**

(21) Appl. No.: **29/586,834**

(22) Filed: **Dec. 7, 2016**

(51) **LOC (11) Cl.** **09-07**

(52) **U.S. Cl.**
USPC **D9/440; D7/396.2**

(58) **Field of Classification Search**
USPC D7/316, 392, 392.1, 396.2, 397, 510,
D7/533; D9/434-436, 438, 439, 440,
D9/443, 444, 447-450, 452-454, 499,
D9/549, 715, 717-719; D23/260, 269,
D23/390

CPC B65D 2543/00046; B65D 47/08
See application file for complete search history.

(56) **References Cited**

U.S. PATENT DOCUMENTS

D192,192 S *	2/1962	Tupper	D7/392
D242,108 S *	11/1976	Dart	D7/392
D350,046 S *	8/1994	Zimmerman	D7/392
D485,759 S *	1/2004	Janky	D7/392.1
D562,065 S *	2/2008	Smaldone	D7/387
D644,060 S *	8/2011	Komeiji	D7/392.1
D647,753 S *	11/2011	Lin	D7/392.1
D651,898 S *	1/2012	Hess	D9/435
D677,118 S *	3/2013	Rosenfeld	D7/392
D691,416 S *	10/2013	Eyal	D7/396.2
D710,698 S *	8/2014	Giraud	D7/396.2

D719,023 S *	12/2014	Hu	D9/449
D751,338 S	3/2016	Seiders et al.		
D751,339 S	3/2016	Seiders et al.		
D751,340 S	3/2016	Seiders et al.		
D751,341 S	3/2016	Seiders et al.		
D761,619 S	7/2016	Seiders et al.		

(Continued)

OTHER PUBLICATIONS

Terapeak. Aladdin Mason Jar Hot Cold Drink-through Lid. 2017 [earliest online date], [site visited Jul. 31, 2017]. Available from Internet, <URL:https://www.terapeak.com/worth/aladdin-mason-jar-hot-cold-drink-through-lid-16oz-tumbler-mug-cup-accessory/201687007368/>.*

(Continued)

Primary Examiner — Robert M. Spear

Assistant Examiner — Darcey E Heflin

(74) *Attorney, Agent, or Firm* — George C. Rondeau, Jr.;
Davis Wright Tremaine LLP

(57) **CLAIM**

The ornamental design for a beverage container lid, as shown and described.

DESCRIPTION

FIG. 1 is a top perspective view of a beverage container lid showing our new design.

FIG. 2 is a bottom perspective view thereof.

FIG. 3 is a top plan view thereof.

FIG. 4 is a front elevational view thereof.

FIG. 5 is a right side elevational view thereof.

FIG. 6 is a left side elevational view thereof.

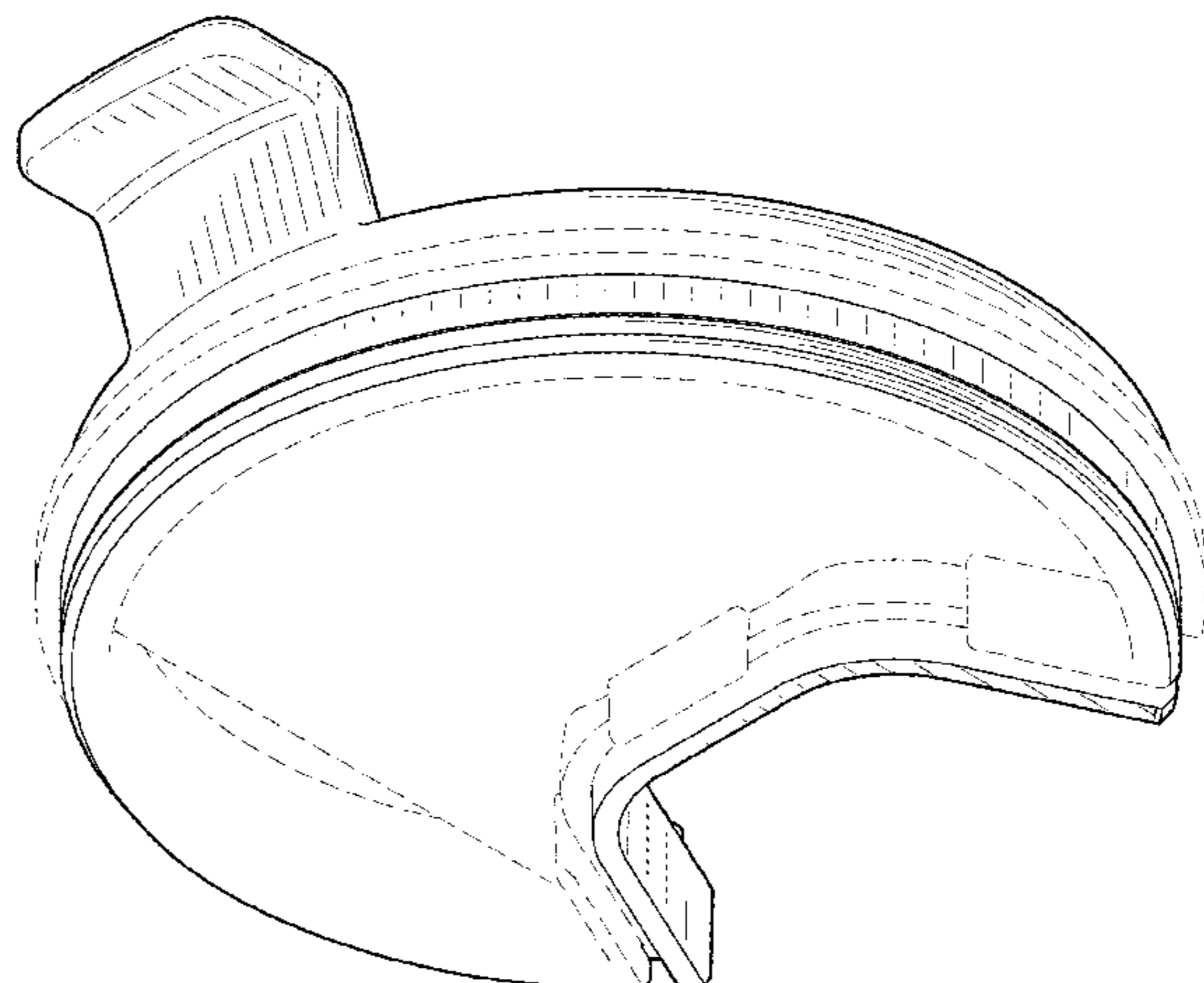
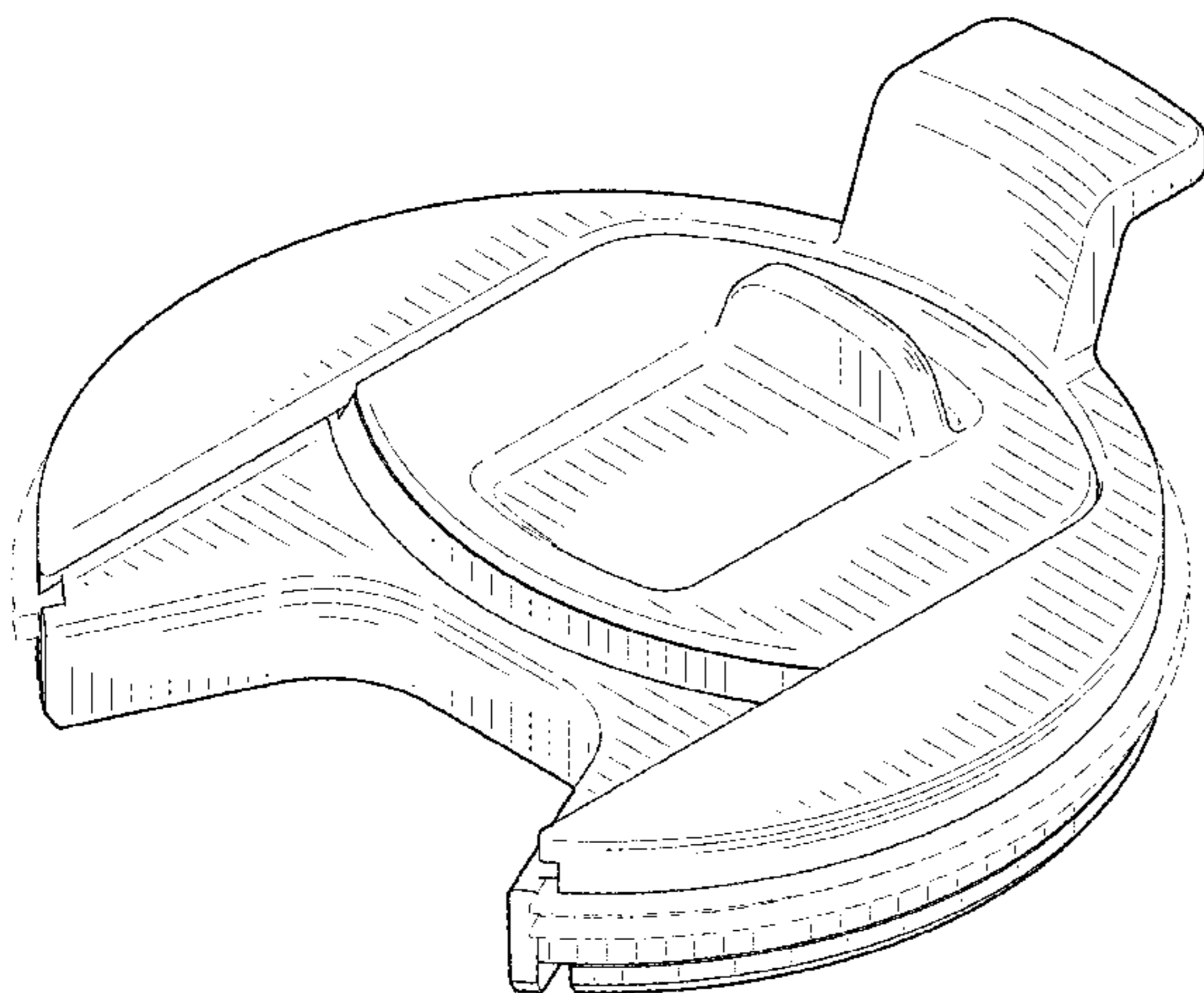
FIG. 7 is a rear elevational view thereof; and,

FIG. 8 is a bottom plan view thereof.

The claim is directed to the shaded surfaces only.

In the drawings, the broken lines showing portions of a beverage container lid depict environment and form no part of the claim.

1 Claim, 6 Drawing Sheets



(56)

References Cited

U.S. PATENT DOCUMENTS

D789,737 S * 6/2017 Eyal D7/300.1
D792,155 S * 7/2017 Stover D7/510

OTHER PUBLICATIONS

“YETI—Rambler™ 30 oz. Tumbler—Stainless Steel,” © 2016 YETI, <<http://www.yeti.com/rambler-30>> [retrieved Sep. 19, 2016], 4 pages. Yeti product offered for sale as least as early as Mar. 17, 2016.

Design U.S. Appl. No. 29/578,315, filed Sep. 20, 2016.

Design U.S. Appl. No. 29/577,480, filed Sep. 13, 2016.

* cited by examiner

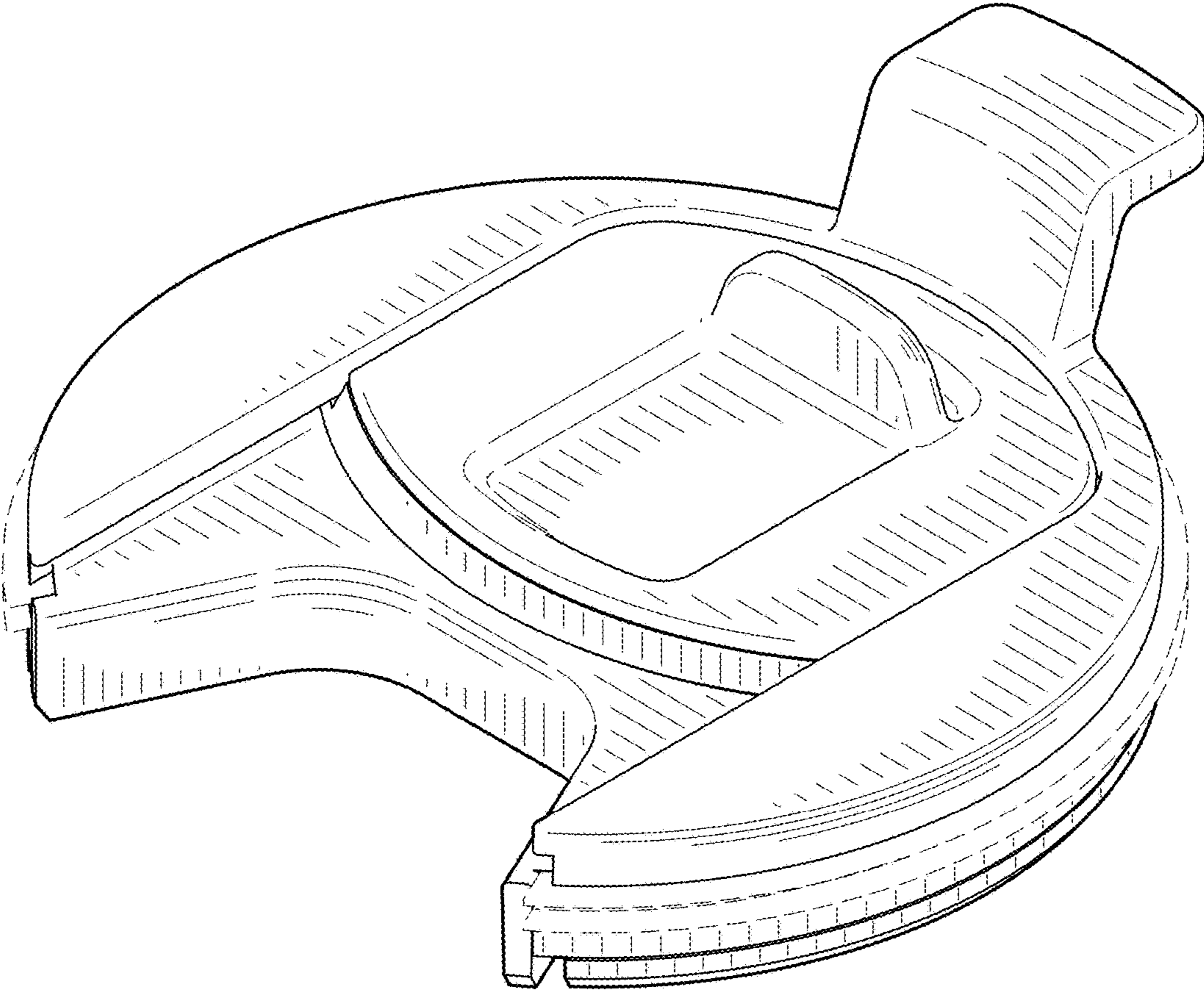


FIG. 1

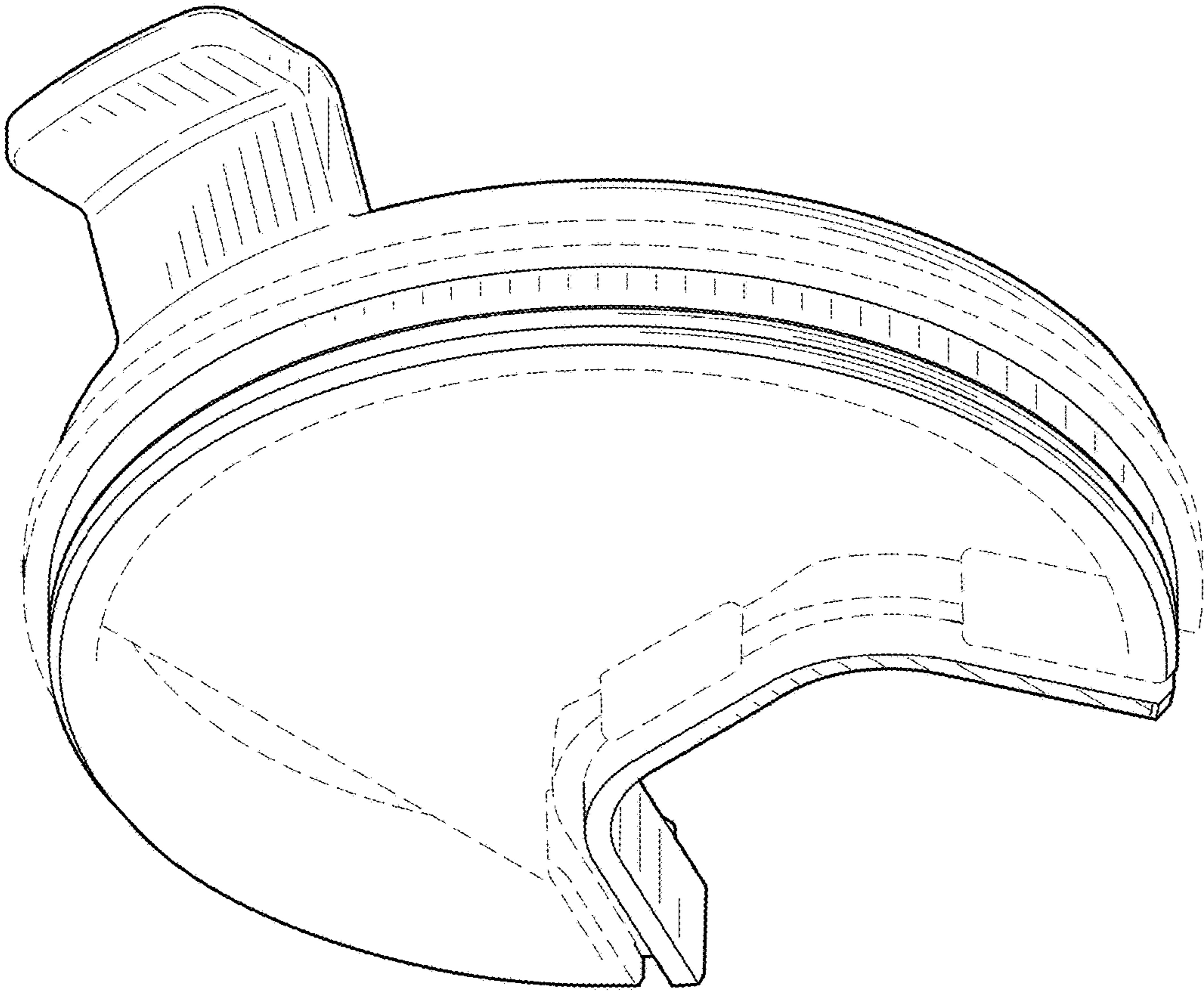


FIG. 2

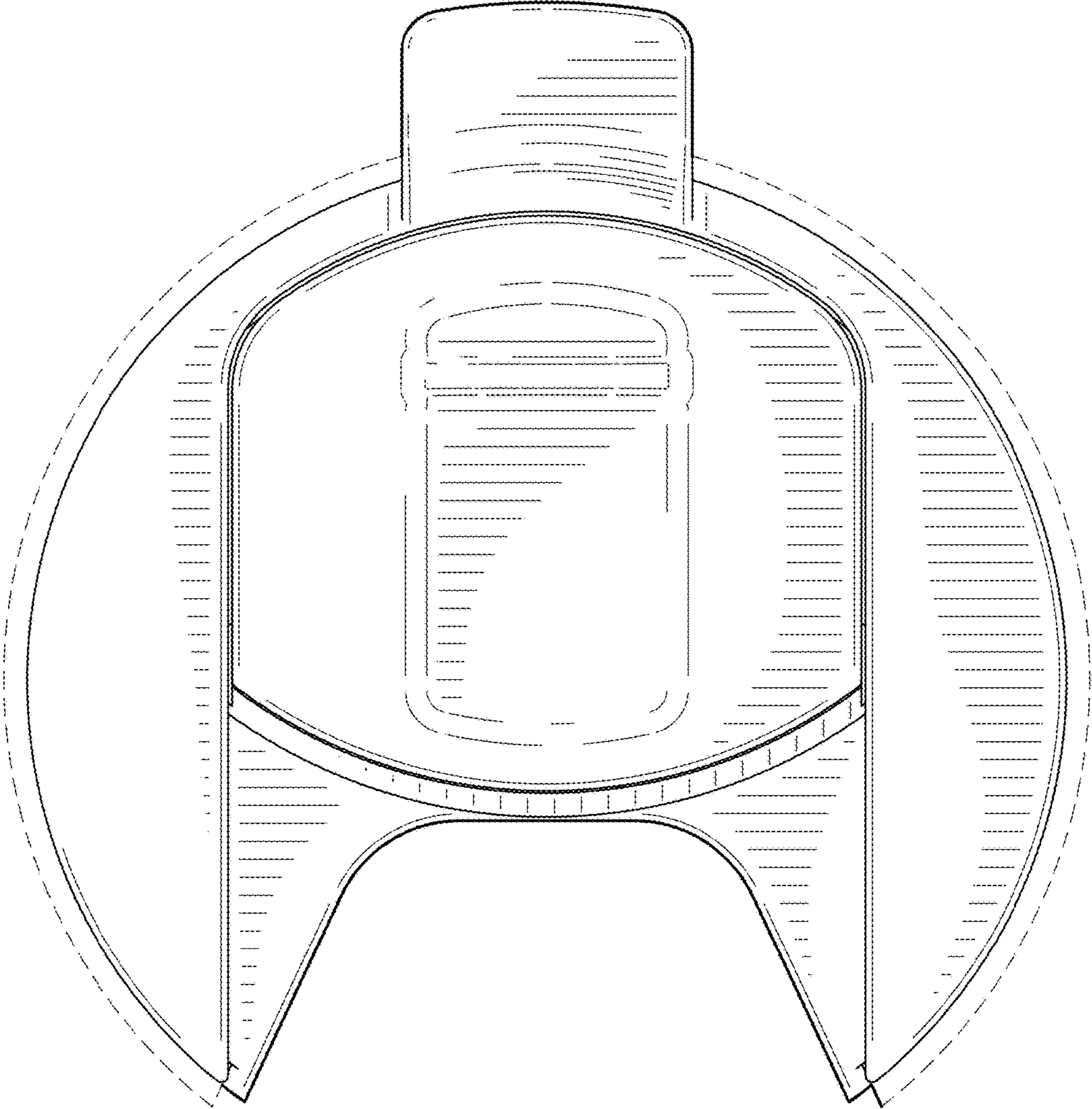


FIG. 3

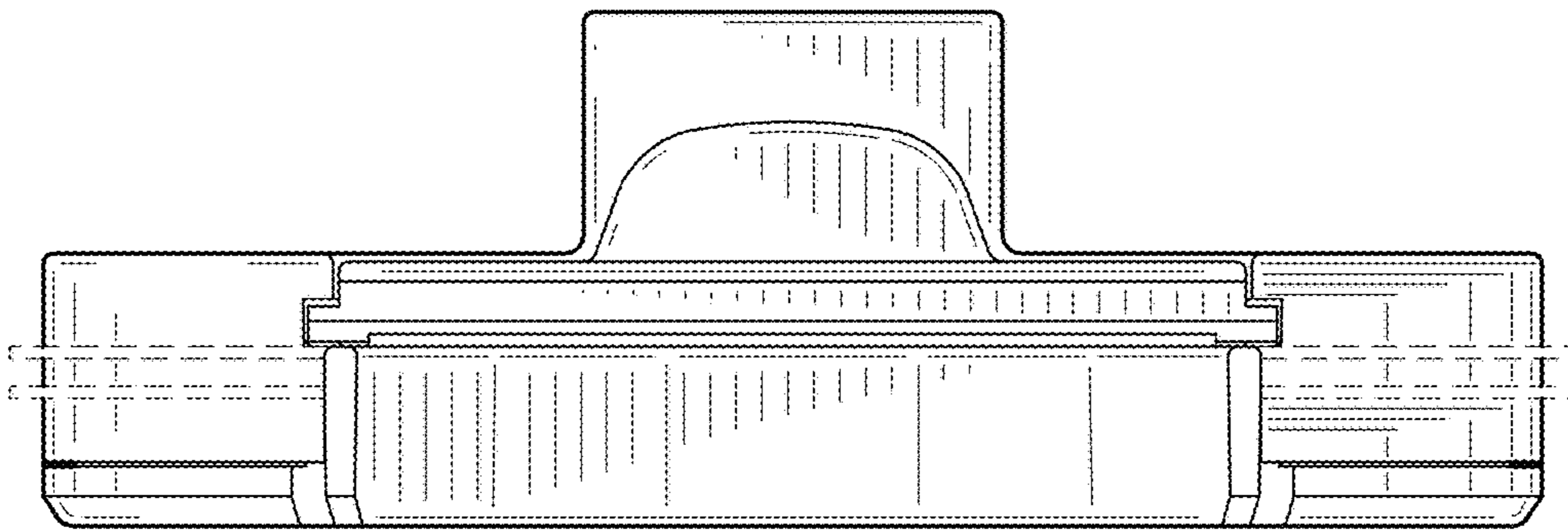


FIG. 4

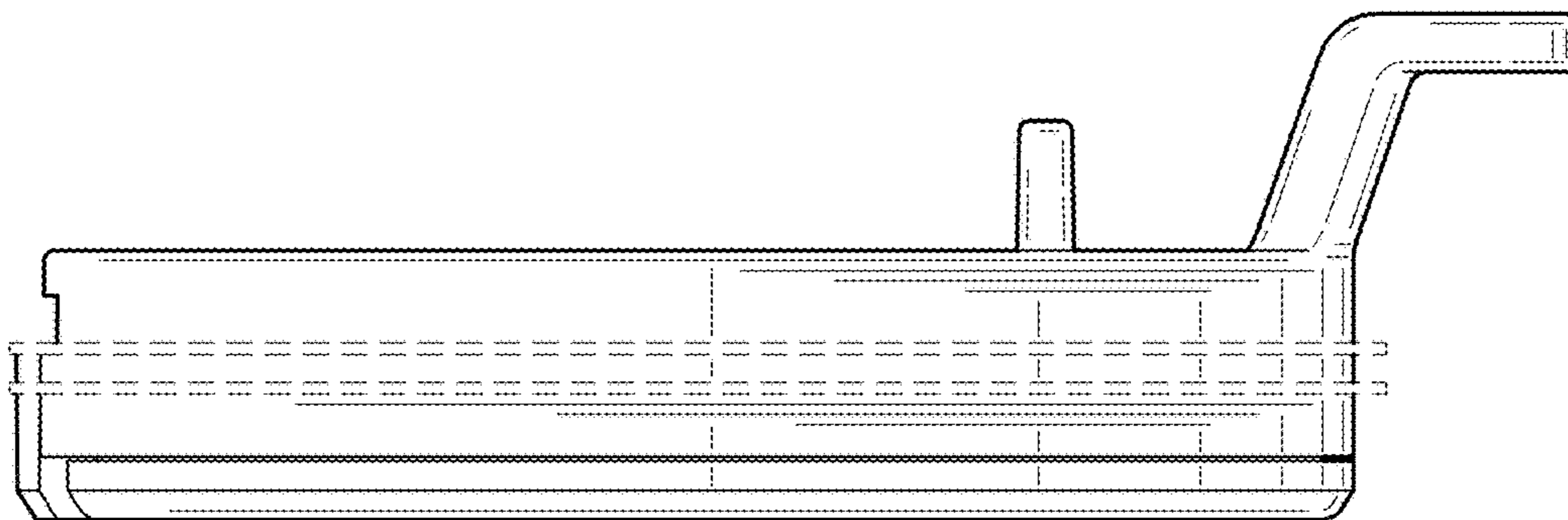


FIG. 5

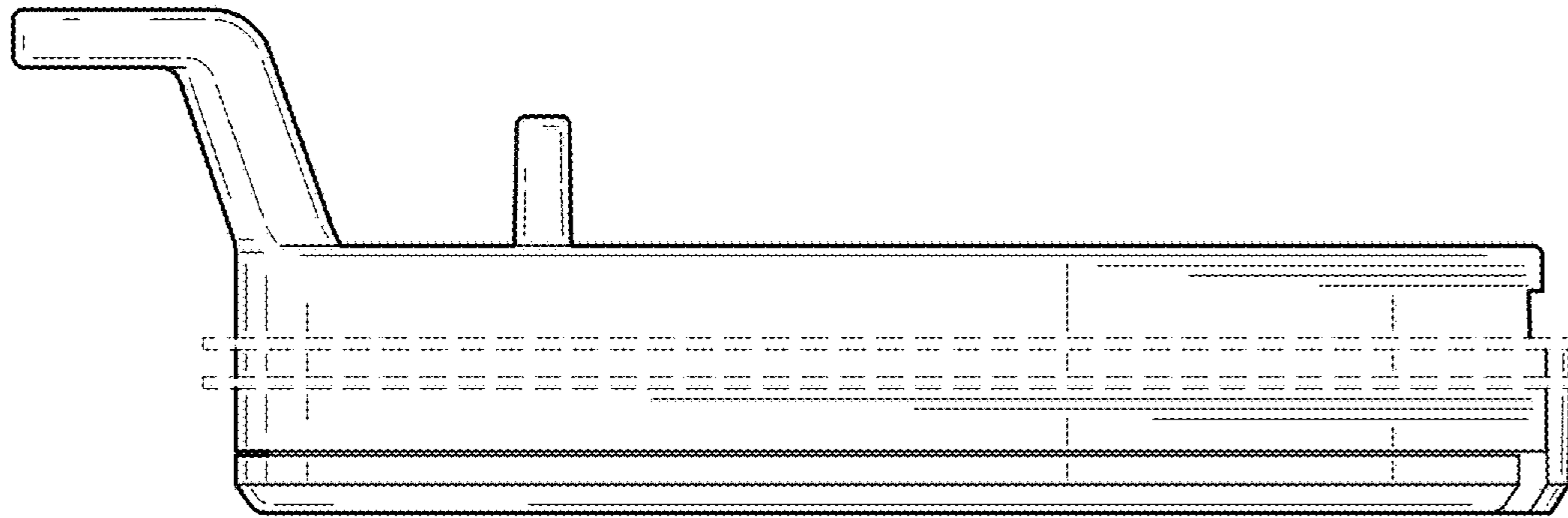


FIG. 6

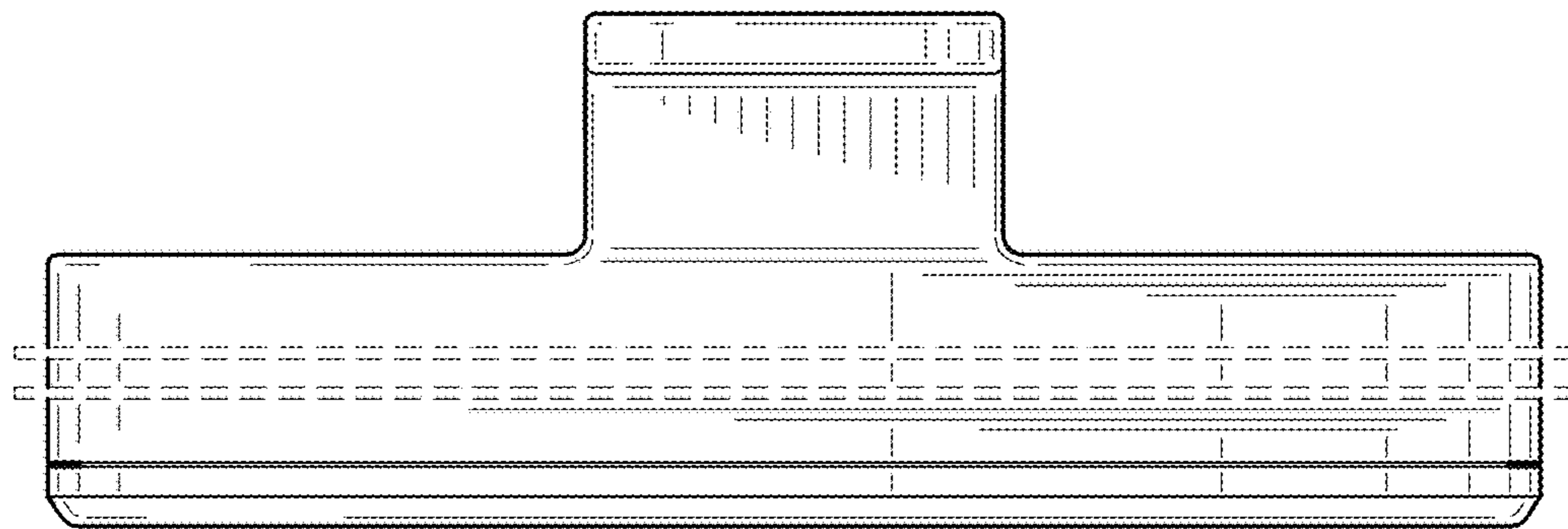


FIG. 7

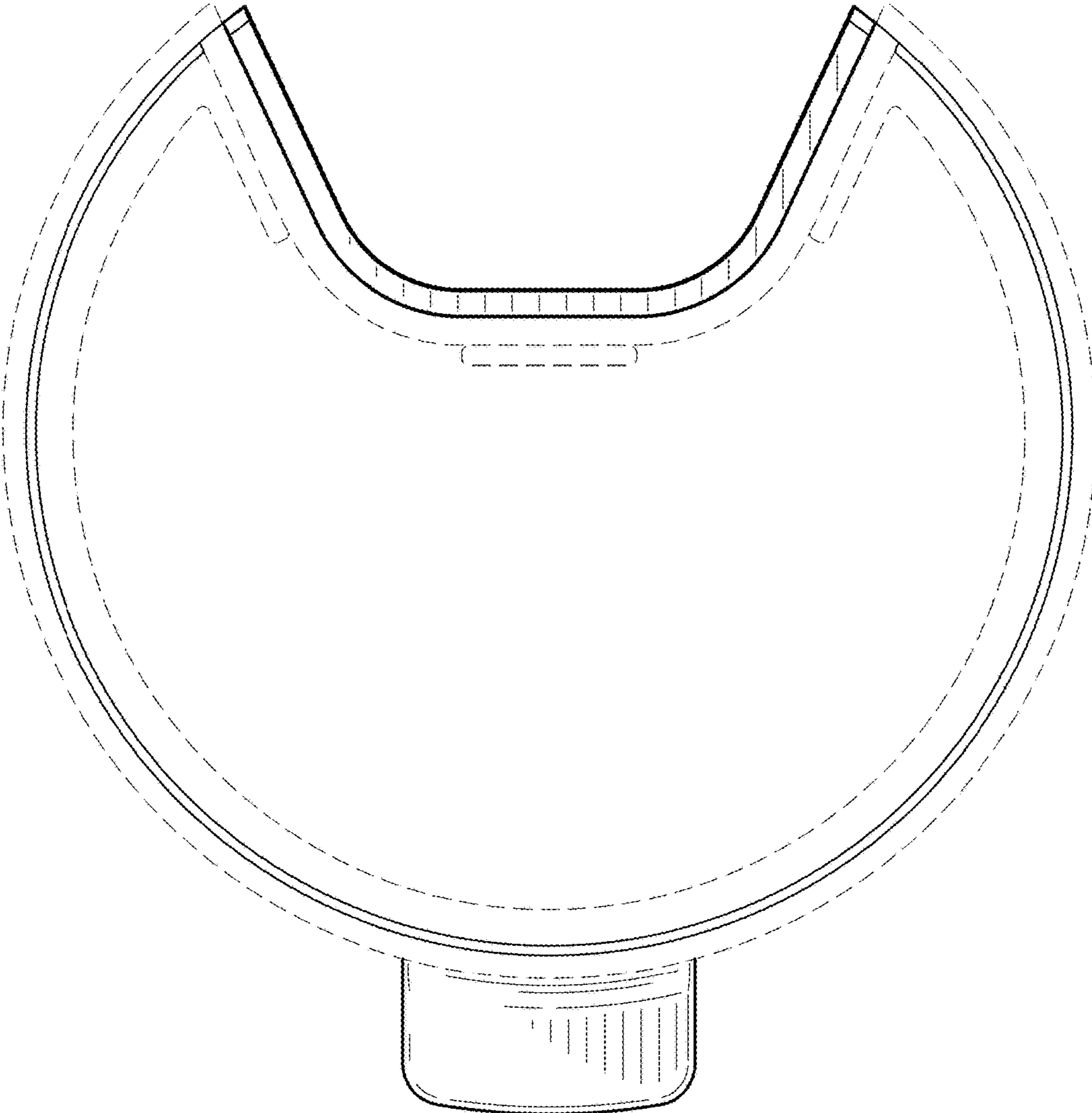


FIG. 8