



US00D814291S

(12) **United States Design Patent**  
**Taylor**

(10) **Patent No.:** **US D814,291 S**  
(45) **Date of Patent:** **\*\* Apr. 3, 2018**

(54) **EARRING BOX**  
(71) Applicant: **Jill Taylor**, Lakewood, CA (US)  
(72) Inventor: **Jill Taylor**, Lakewood, CA (US)  
(\*\*) Term: **15 Years**  
(21) Appl. No.: **29/596,293**  
(22) Filed: **Mar. 7, 2017**  
(51) **LOC (11) Cl.** ..... **09-03**  
(52) **U.S. Cl.**  
USPC ..... **D9/420**  
(58) **Field of Classification Search**  
USPC ..... D9/414-426, 428, 429, 432, 438, 439,  
D9/449, 503, 500, 501, 504, 517, 545,  
D9/546, 549-552, 564, 571, 574, 575,  
D9/645, 696, 901, 902, 904; D7/554.4;  
D6/634; 206/6.1; 211/85.2  
CPC ..... A45C 11/16; A45C 11/00; A47F 7/03;  
B65D 5/0281  
See application file for complete search history.

5,551,772 A 9/1996 Keffer  
5,692,605 A \* 12/1997 Lai ..... A45C 11/16  
206/566  
5,931,319 A \* 8/1999 Murphy ..... A47F 7/02  
211/85.2  
D417,843 S \* 12/1999 Srinual ..... D9/423  
D419,769 S \* 2/2000 Germano ..... D3/274  
6,334,536 B1 \* 1/2002 Kanning ..... B65D 5/48024  
206/419  
6,361,130 B1 3/2002 Kardy  
6,375,018 B1 \* 4/2002 Clement ..... A47F 7/02  
211/85.2  
D606,394 S \* 12/2009 Stewart ..... D9/423  
(Continued)

(56) **References Cited**

**U.S. PATENT DOCUMENTS**

D107,251 S \* 11/1937 Noren ..... D9/759  
2,950,003 A 8/1960 Simmons  
4,371,077 A \* 2/1983 Solitt ..... A47F 7/03  
206/458  
4,467,920 A \* 8/1984 Smith ..... B65D 77/006  
109/59 R  
D291,024 S \* 7/1987 Kikuchi ..... D6/634  
D310,488 S \* 9/1990 Callinan ..... D9/418  
5,067,617 A 11/1991 Caldwell et al.  
5,121,833 A 6/1992 Lindsay et al.  
5,141,300 A \* 8/1992 Ciesla ..... A47B 9/00  
206/566  
5,184,729 A \* 2/1993 Zalenski ..... A45F 3/48  
206/383  
D369,295 S \* 4/1996 Kobari ..... D9/423  
D372,380 S 8/1996 Montalbo et al.

**OTHER PUBLICATIONS**

Valdler-Jewelry-Earrings-Showcase-Display, announced May 15, 2014, [Amazon online], [site visited Jan. 17, 2018]. Available from Internet, URL: [https://www.amazon.com/Valdler-Jewelry-Earrings-Showcase-Display/dp/B00VUVG811/ref=cm\\_cr\\_arp\\_d\\_product\\_top?ie=UTF8](https://www.amazon.com/Valdler-Jewelry-Earrings-Showcase-Display/dp/B00VUVG811/ref=cm_cr_arp_d_product_top?ie=UTF8).  
(Continued)

*Primary Examiner* — Barbara Fox  
*Assistant Examiner* — Mehri F Bajoul

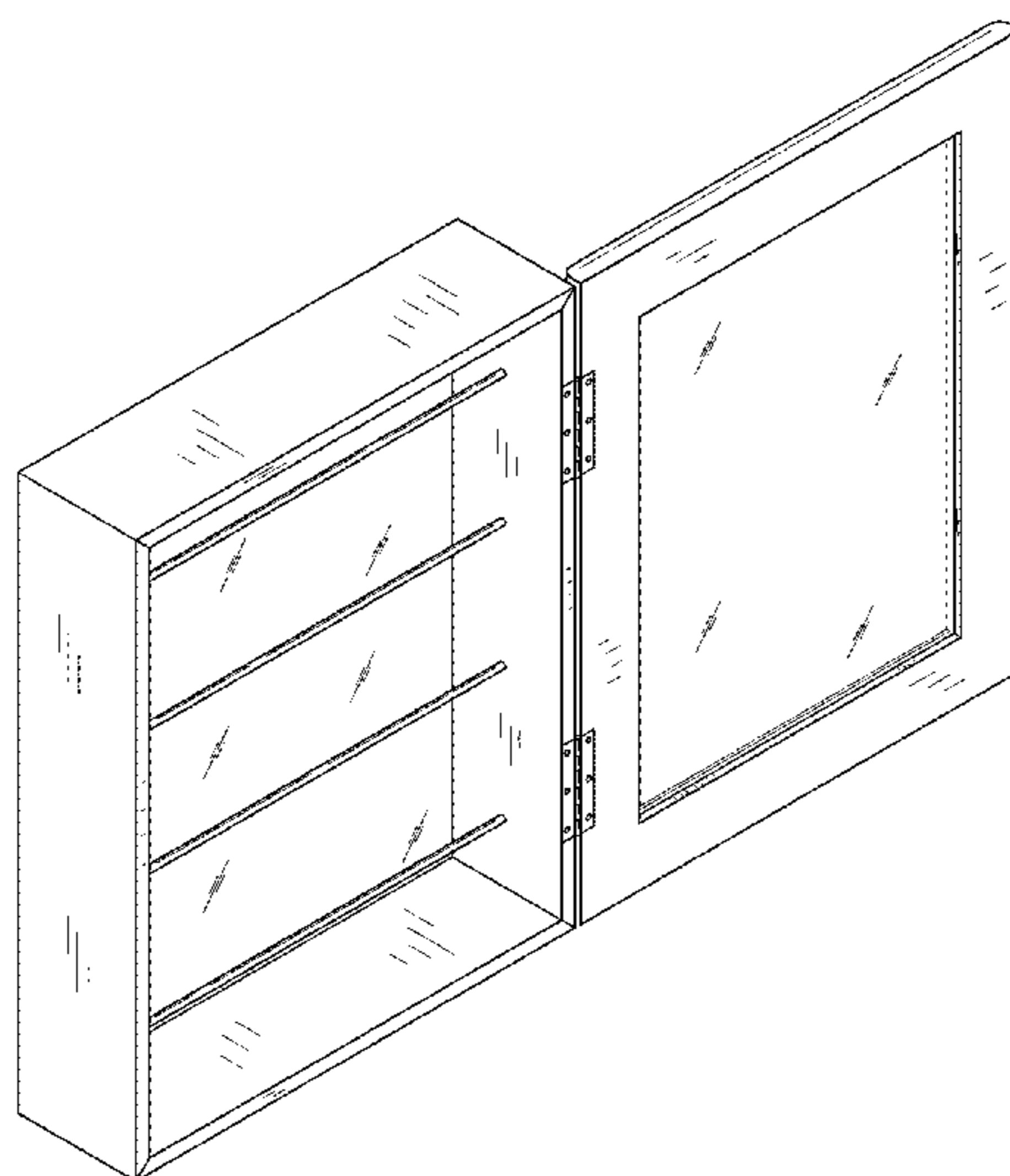
(57) **CLAIM**

The ornamental design for an earring box, as shown and described.

**DESCRIPTION**

FIG. 1 is a front view of an earring box showing my new design;  
FIG. 2 is a rear view of the earring box;  
FIG. 3 is a left side view of the earring box;  
FIG. 4 is a right side view of the earring box;  
FIG. 5 is a top view of the earring box, a bottom view being a mirror image thereof; and,  
FIG. 6 is a top front side perspective view of the earring box.

**1 Claim, 5 Drawing Sheets**



(56)

**References Cited**

U.S. PATENT DOCUMENTS

D692,261 S 10/2013 Sharp  
 8,800,789 B2 8/2014 Sharp  
 D716,649 S \* 11/2014 McAdam ..... D9/418  
 D728,358 S \* 5/2015 Belamich ..... D9/420  
 D730,728 S \* 6/2015 Fath ..... D9/432  
 2003/0205577 A1\* 11/2003 Au ..... A45C 11/10  
 220/9.1  
 2004/0164037 A1\* 8/2004 Phillips ..... A45C 11/16  
 211/85.3  
 2005/0274635 A1\* 12/2005 Hopper ..... A45C 11/24  
 206/308.1  
 2010/0200581 A1\* 8/2010 Maltz ..... A01K 97/06  
 220/4.22  
 2011/0121697 A1\* 5/2011 Greiner ..... A45C 11/16  
 312/224  
 2011/0266163 A1\* 11/2011 Mostowy ..... A45C 5/02  
 206/6.1

2012/0181191 A1\* 7/2012 Harris-Bowman .... A45C 11/16  
 206/6.1  
 2014/0069846 A1\* 3/2014 Chan ..... A47F 7/03  
 206/736  
 2014/0353177 A1\* 12/2014 Senate ..... A45C 11/16  
 206/6.1  
 2015/0113846 A1\* 4/2015 Nicholson ..... A47G 1/0616  
 40/723

OTHER PUBLICATIONS

SONGMICS-Lockable-Organizer-Display-UJWB12B, announced  
 Nov. 11, 2014, [Amazon online], [site visited Jan. 17, 2018].  
 Available from Internet, URL: [https://www.amazon.com/Songmics-Lockable-Organizer-Display-UJWB12B/dp/B00NHK4W8G/ref=cm\\_cr\\_arp\\_d\\_product\\_top?ie=UTF8](https://www.amazon.com/Songmics-Lockable-Organizer-Display-UJWB12B/dp/B00NHK4W8G/ref=cm_cr_arp_d_product_top?ie=UTF8).\*

\* cited by examiner

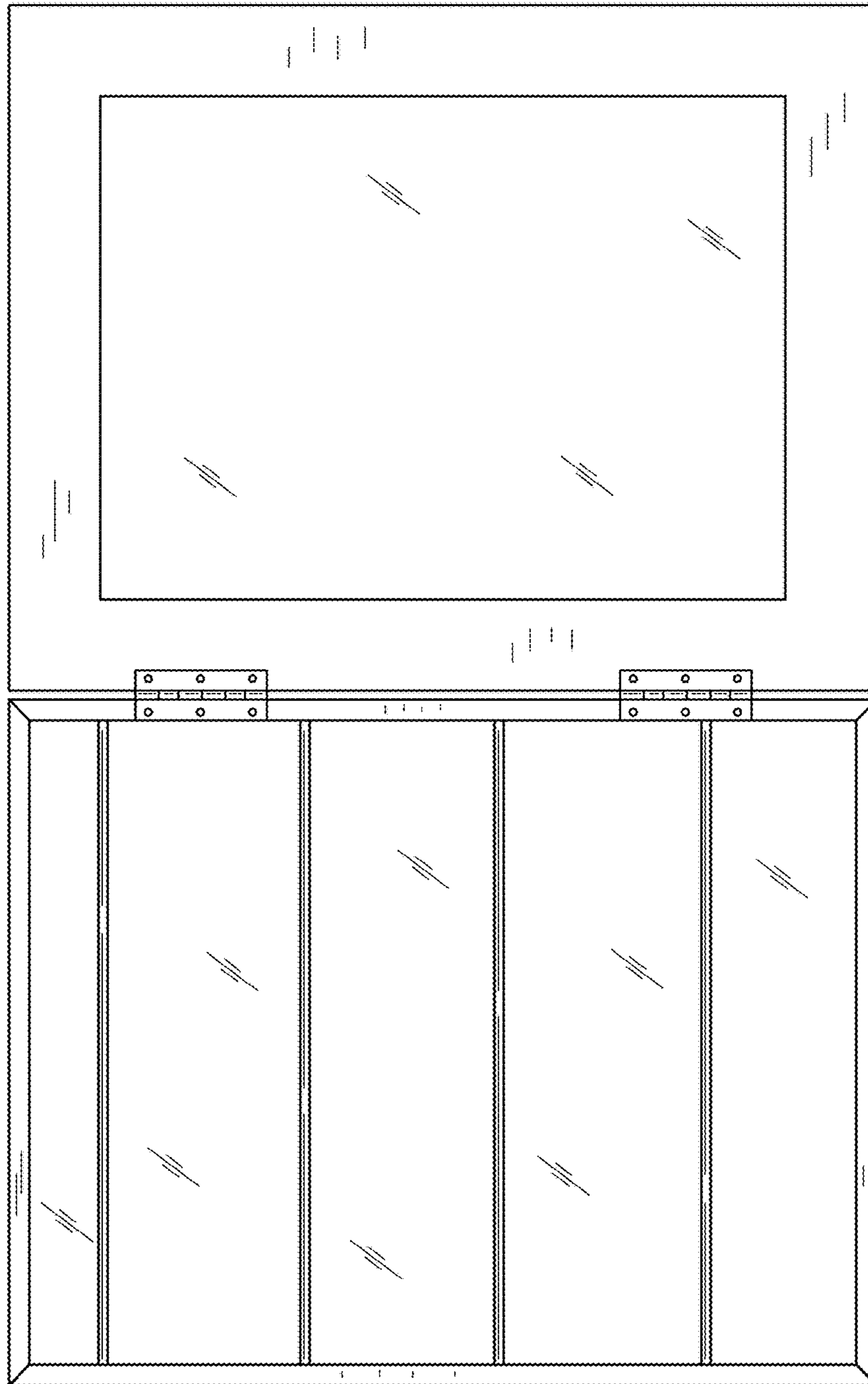


FIG. 1

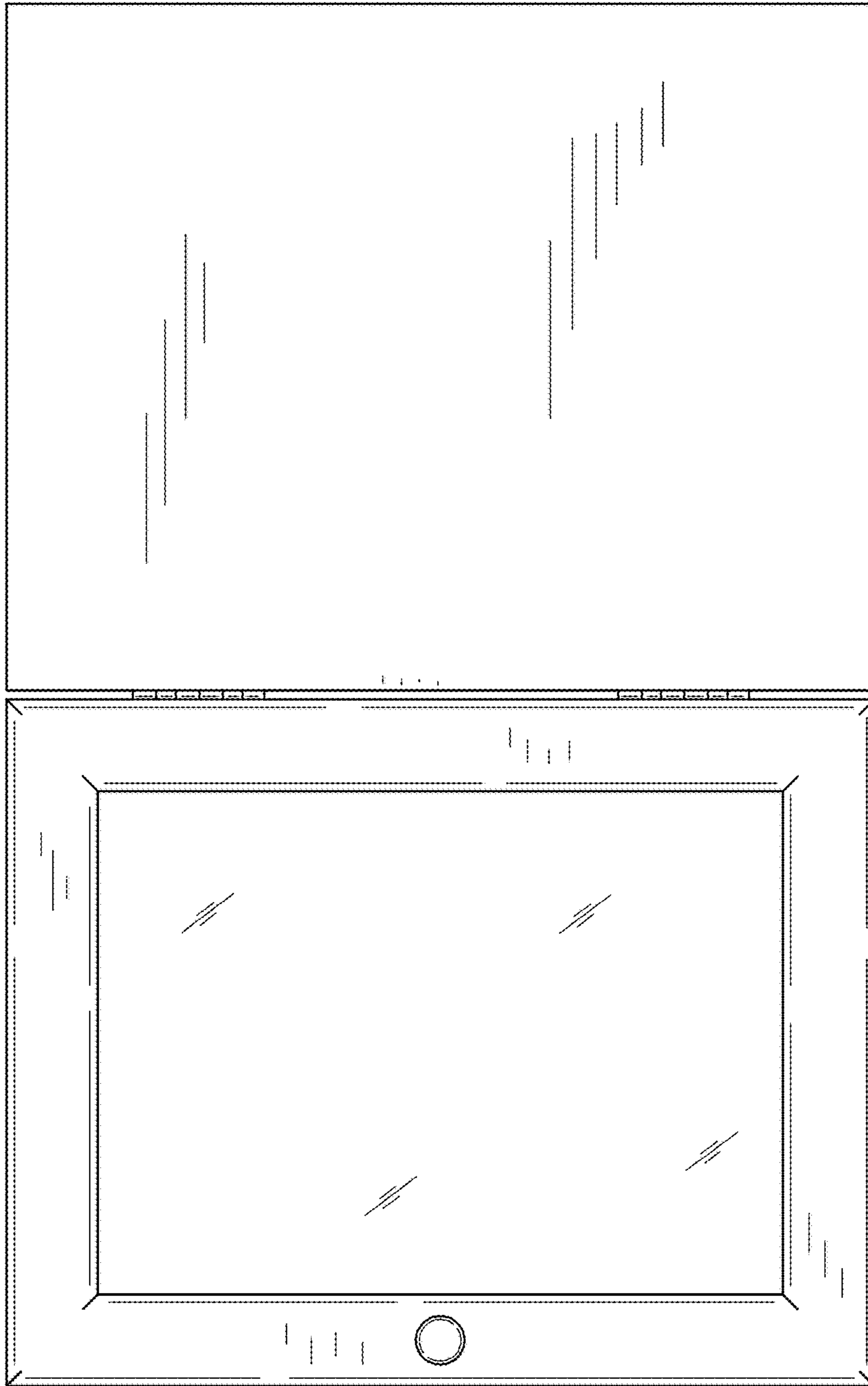


FIG. 2

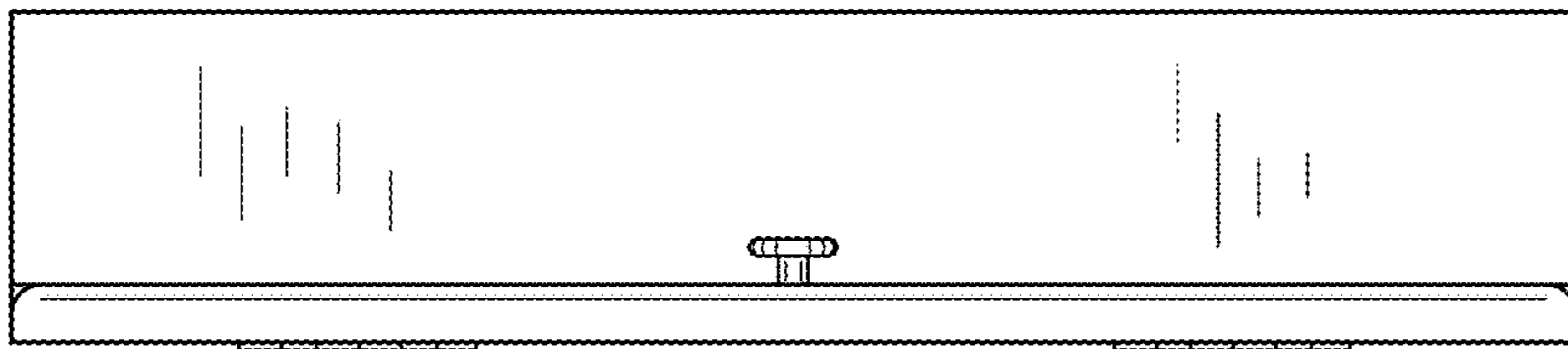


FIG. 4

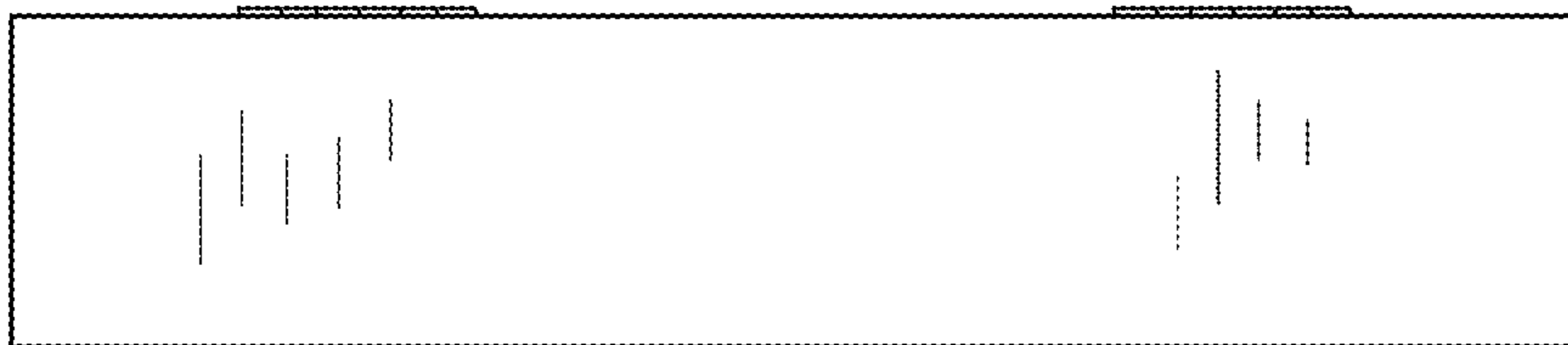


FIG. 3

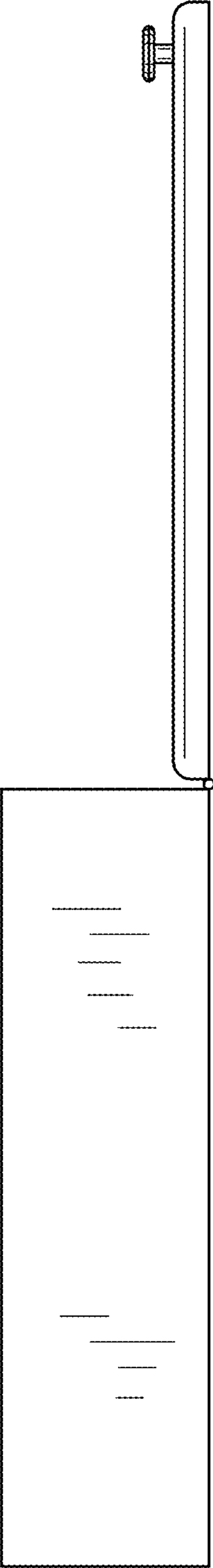


FIG. 5



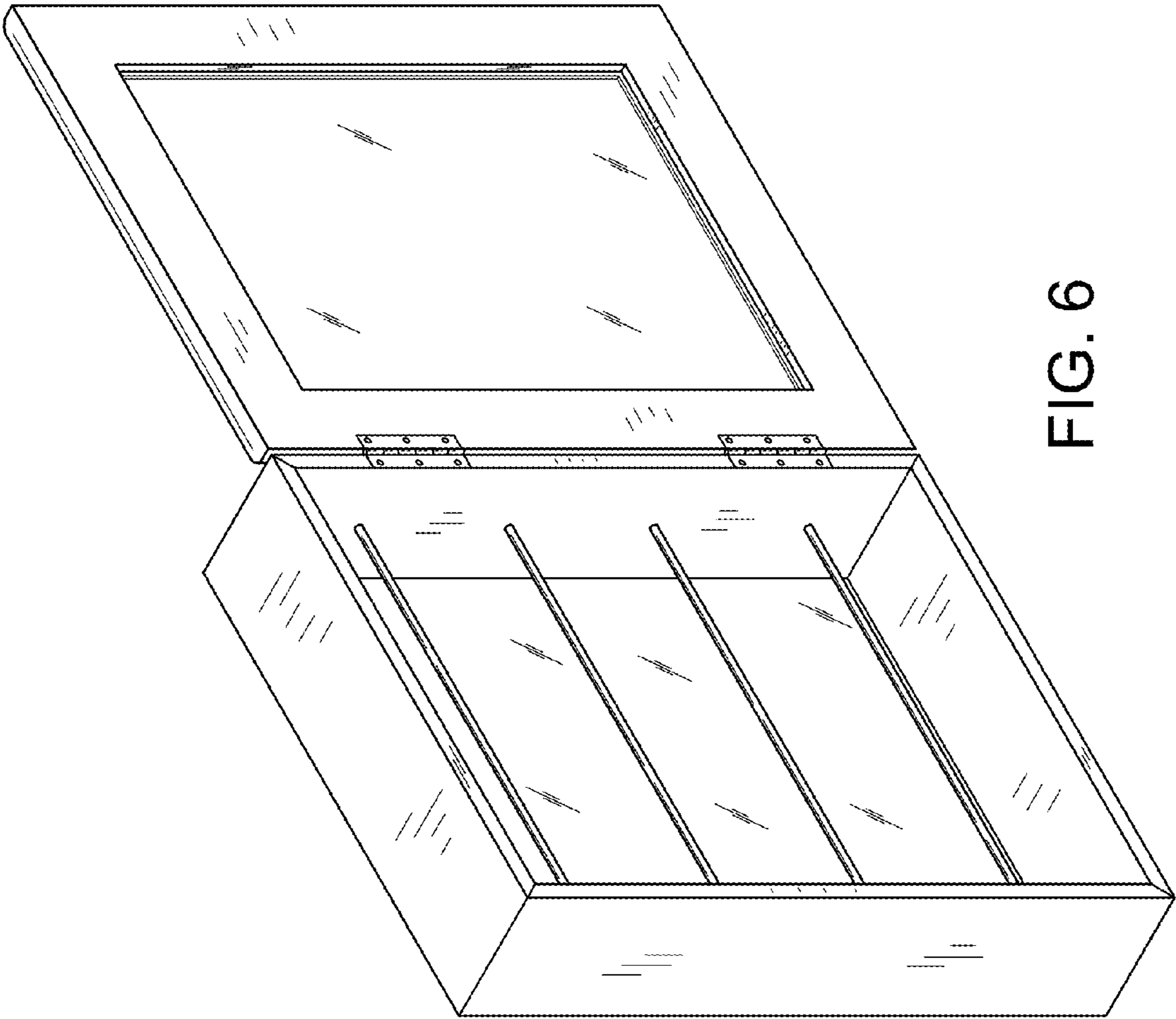


FIG. 6