



US00D814290S

(12) **United States Design Patent** (10) **Patent No.:** **US D814,290 S**  
**Doster** (45) **Date of Patent:** **\*\* Apr. 3, 2018**

(54) **TRAY**  
(71) Applicant: **Paradise Packaging Inc.**, Orchard Park, NY (US)  
(72) Inventor: **Gary Doster**, Orchard Park, NY (US)  
(73) Assignee: **Paradise Packaging Inc.**, Orchard Park, NY (US)  
(\*\*) Term: **15 Years**  
(21) Appl. No.: **29/596,544**  
(22) Filed: **Mar. 9, 2017**  
(51) **LOC (11) Cl.** ..... **09-03**  
(52) **U.S. Cl.**  
USPC ..... **D9/418; D9/432**  
(58) **Field of Classification Search**  
USPC ..... D9/414-426, 428, 429, 432, 438, 439, D9/449, 503, 500, 501, 504, 517, 518, D9/520, 522, 536-543, 545, 546, D9/549-552, 564, 571, 574, 575, 696, D9/742, 767, 770, 773, 776, 777-783, D9/901, 902, 904; D34/38  
CPC .... B65D 5/002; B65D 5/0025; B65D 5/0281; B65D 5/00; B65B 43/00  
See application file for complete search history.

D664,034 S \* 7/2012 Goto ..... D9/431  
D688,947 S \* 9/2013 Cummings ..... B65D 5/503  
D9/433  
D780,491 S \* 3/2017 Magargee ..... D6/349  
2004/0124111 A1\* 7/2004 Bevier ..... B65D 5/002  
206/509  
2006/0249565 A1\* 11/2006 Wood ..... B65D 5/002  
229/164

**OTHER PUBLICATIONS**

Flagma, [online], [site visited Jan. 17, 2018]. Available from Internet, URL: <https://brestbelar.flagma.by/realizuem-gofrirovanny-kleeny-lotok-pod-o1877074.html>.  
Komtrion, announced Sep. 2014, [online], [site visited Jan. 17, 2018]. Available from Internet, URL: [http://komtrion.by/gofrotara\\_dla\\_ovosei\\_fruktov\\_i\\_agod](http://komtrion.by/gofrotara_dla_ovosei_fruktov_i_agod).

\* cited by examiner

*Primary Examiner* — Barbara Fox  
*Assistant Examiner* — Mehri F Bajoul  
(74) *Attorney, Agent, or Firm* — Roach Brown McCarthy & Gruber, P.C.; Kevin D. McCarthy

(57) **CLAIM**

The ornamental design for a tray, as shown and described.

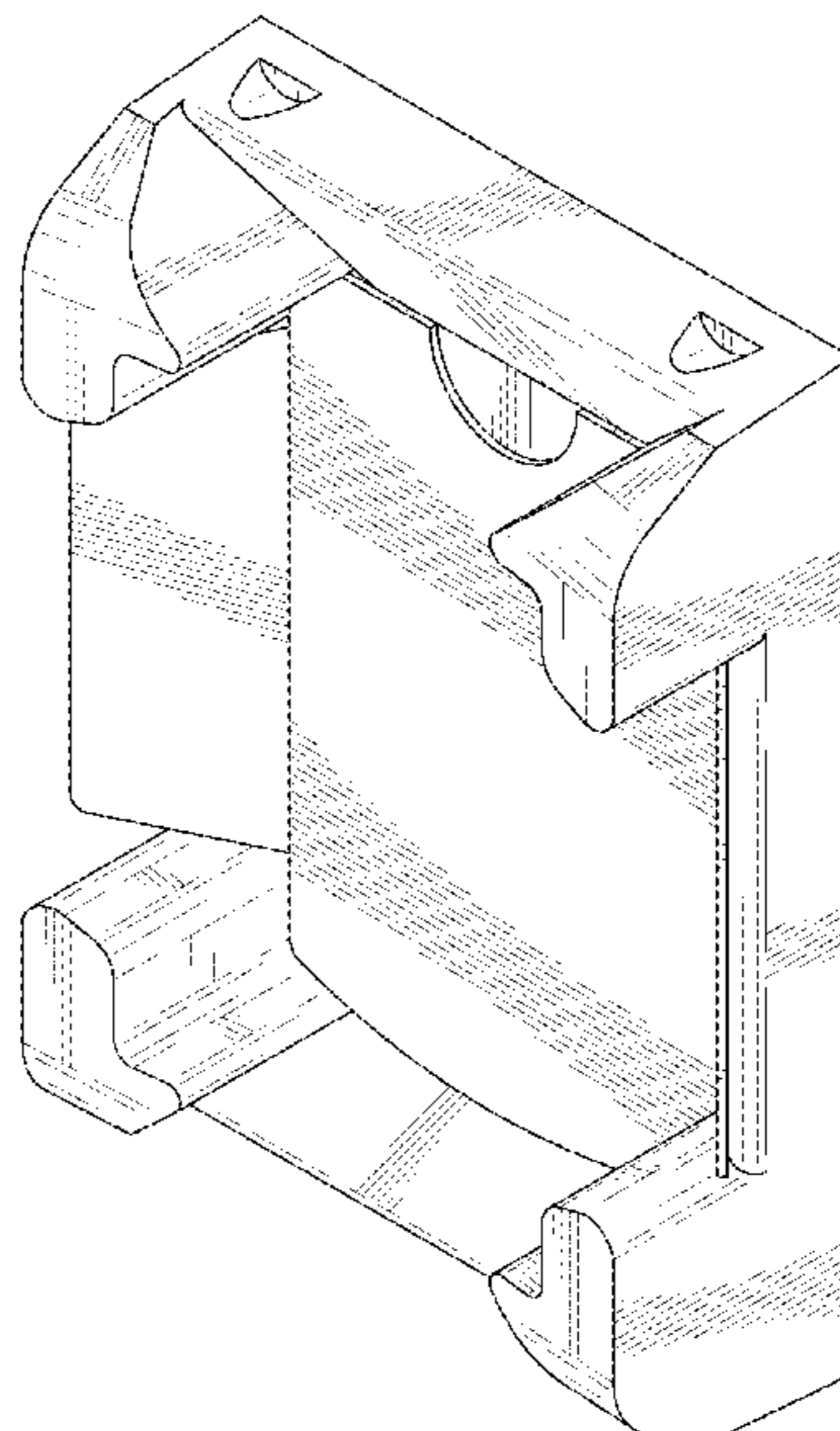
**DESCRIPTION**

FIG. 1 is a bottom, left and front perspective view of a tray showing the new design;  
FIG. 2 is a front view thereof;  
FIG. 3 is a left side view thereof;  
FIG. 4 is a rear view thereof;  
FIG. 5 is a right side view thereof;  
FIG. 6 is a top view thereof;  
FIG. 7 is a bottom view thereof;  
FIG. 8 is a view of FIG. 2 taken along the lines 8-8; and,  
FIG. 9 is a view of FIG. 2 taken along the lines 9-9.

**1 Claim, 7 Drawing Sheets**

(56) **References Cited**  
U.S. PATENT DOCUMENTS

D265,630 S \* 8/1982 Wahlberg ..... D9/432  
D281,484 S \* 11/1985 Dickes ..... D9/432  
D283,104 S \* 3/1986 Bigando ..... D6/634  
D317,070 S \* 5/1991 Ott ..... D3/314  
D328,535 S \* 8/1992 Dupre ..... D6/675  
D359,180 S \* 6/1995 Bedney ..... D30/161  
6,513,705 B1 \* 2/2003 Sheffer ..... B65D 5/0025  
206/509  
D479,062 S \* 9/2003 Meyer ..... D34/38



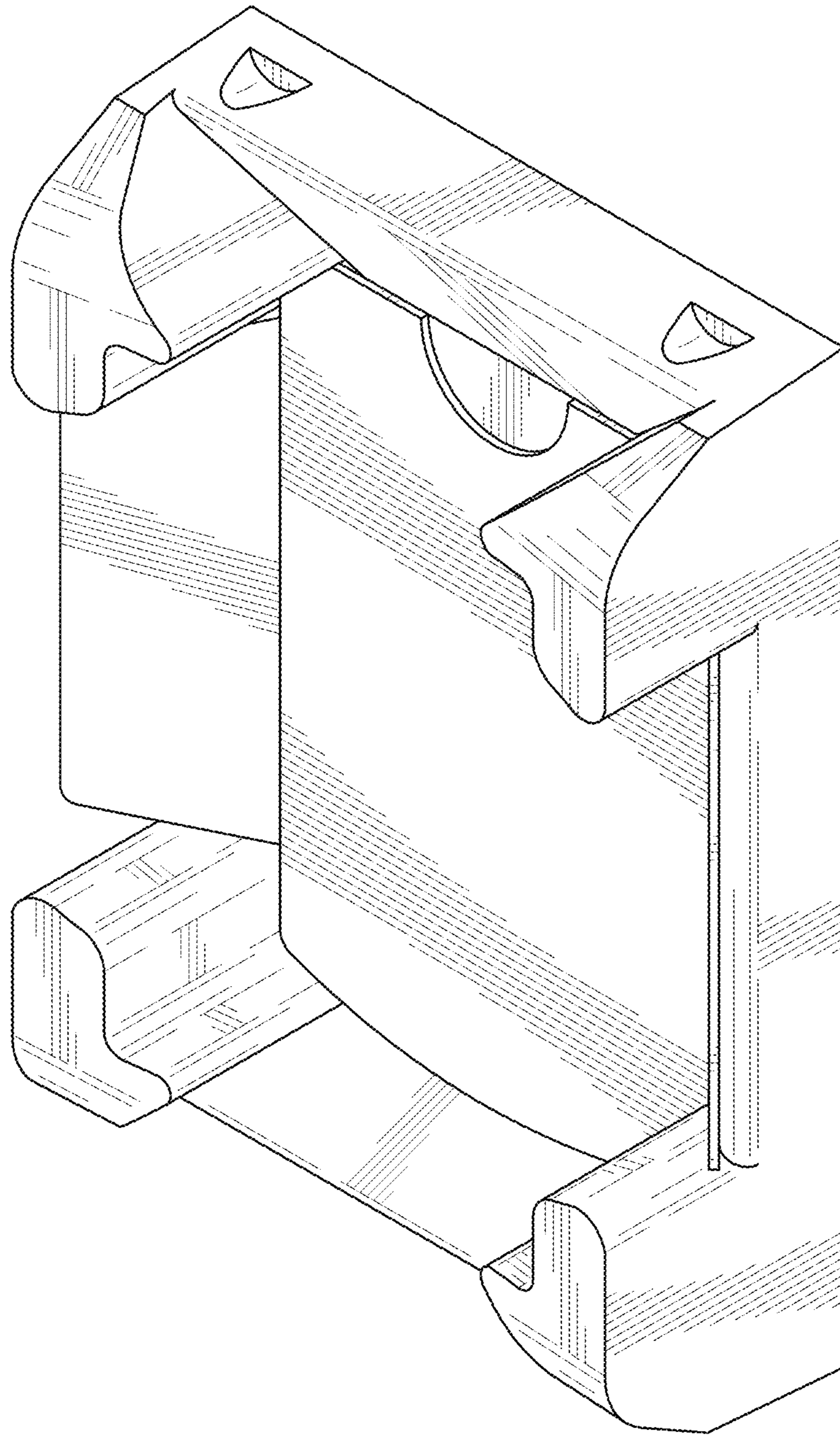


FIG. 1

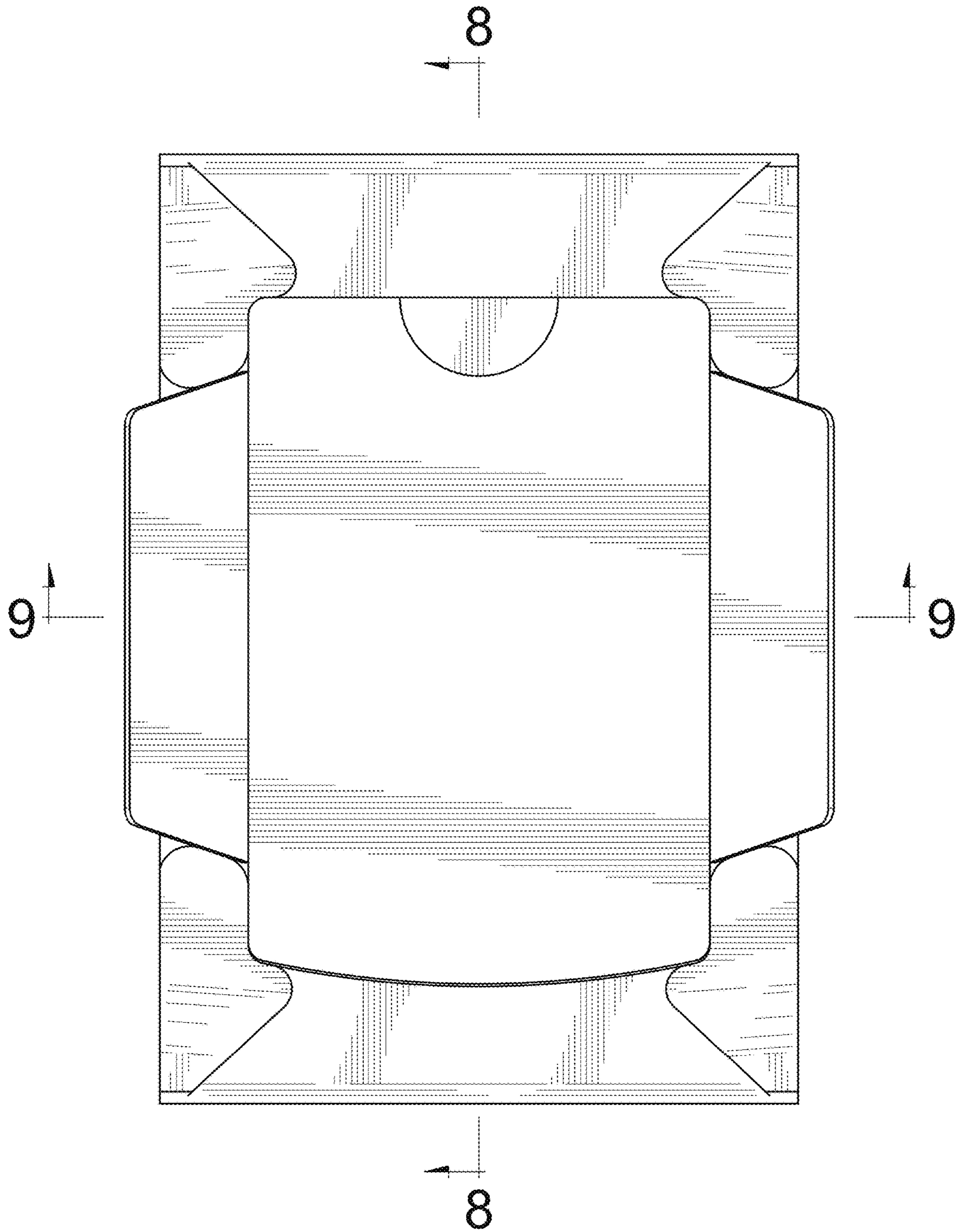


FIG. 2

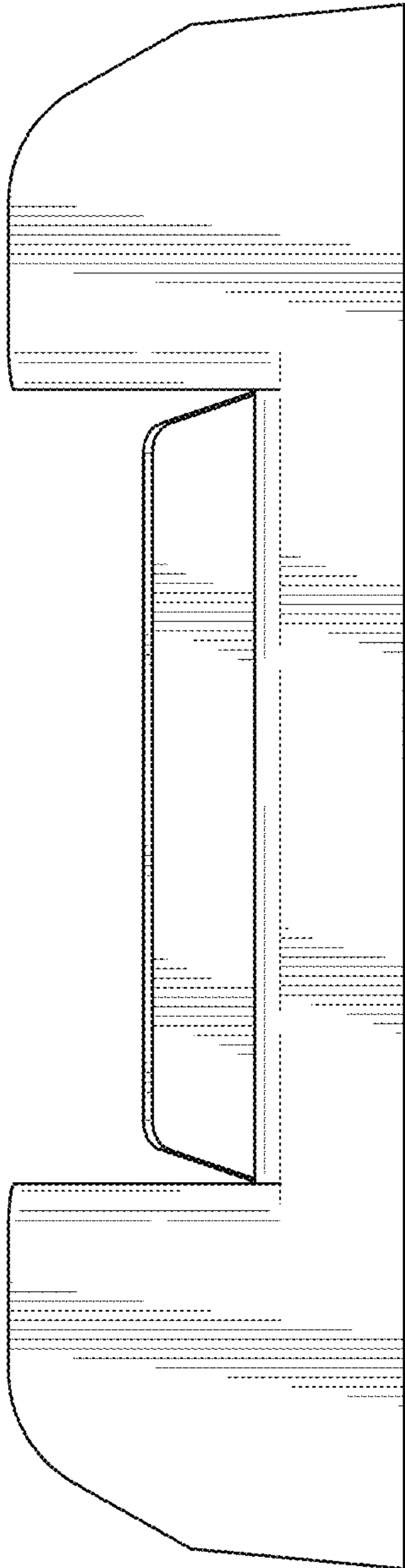


FIG. 3

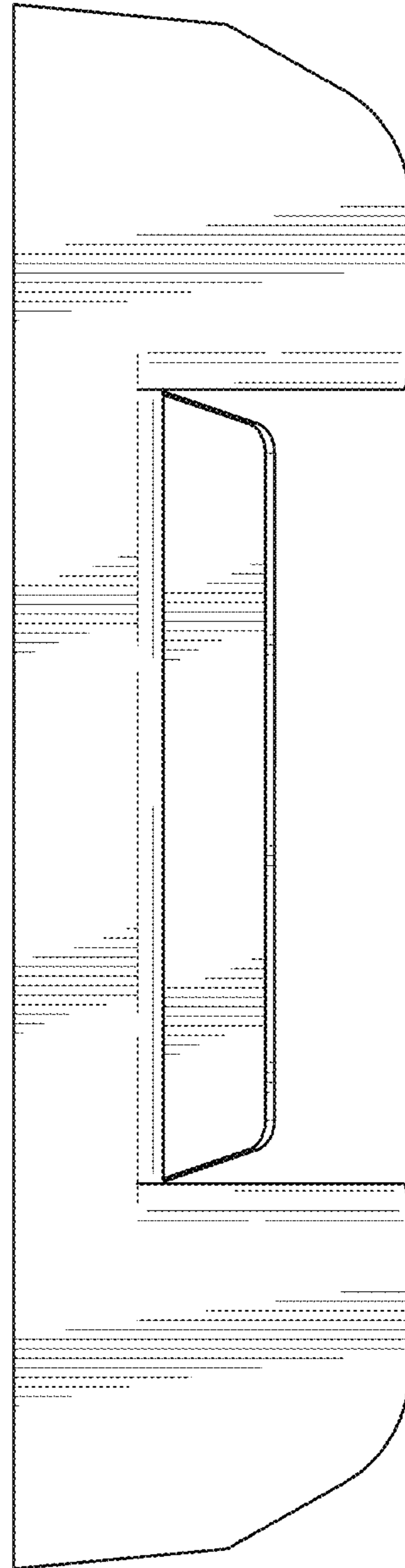


FIG. 5

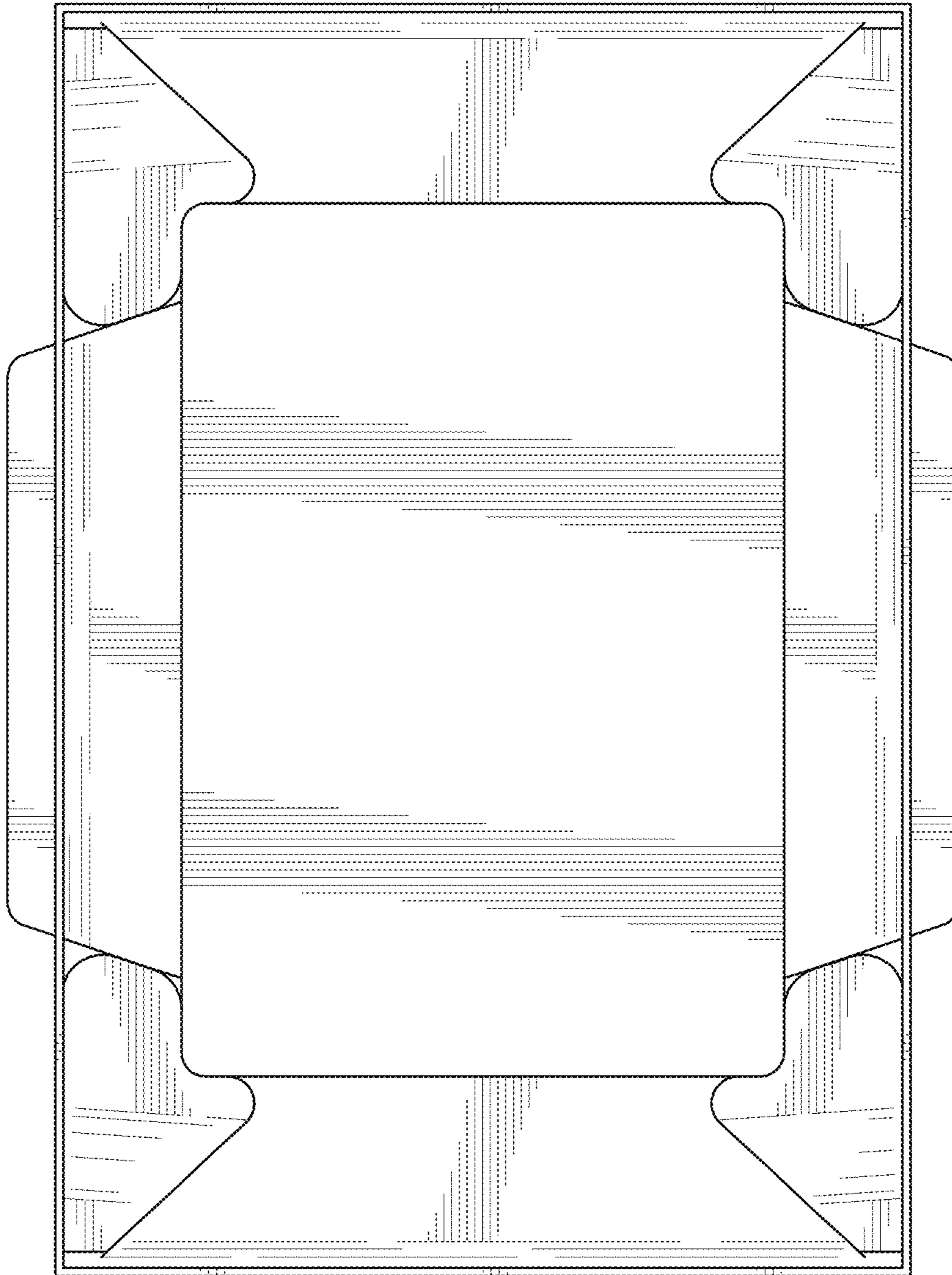


FIG. 4

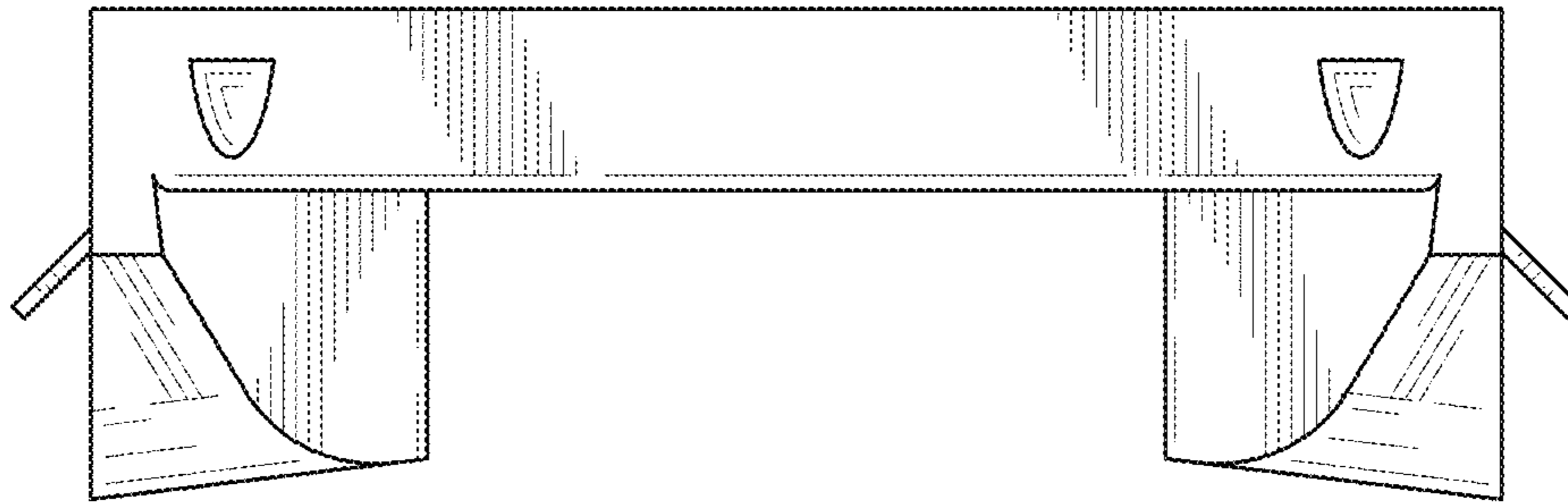


FIG. 6

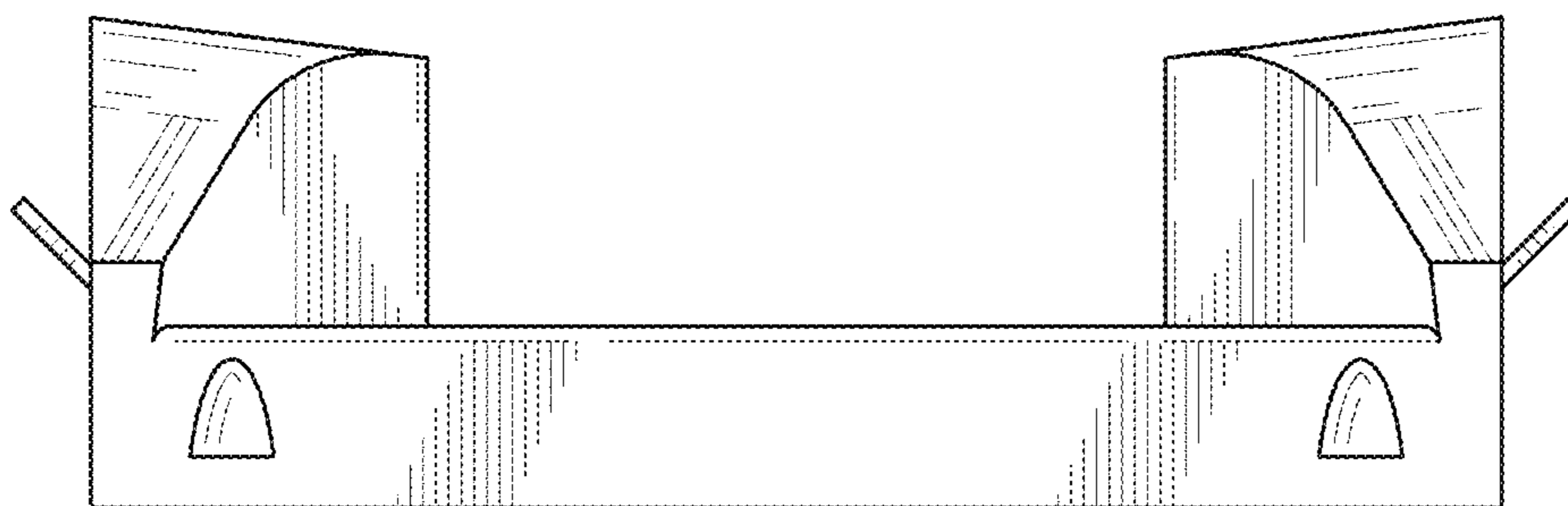


FIG. 7

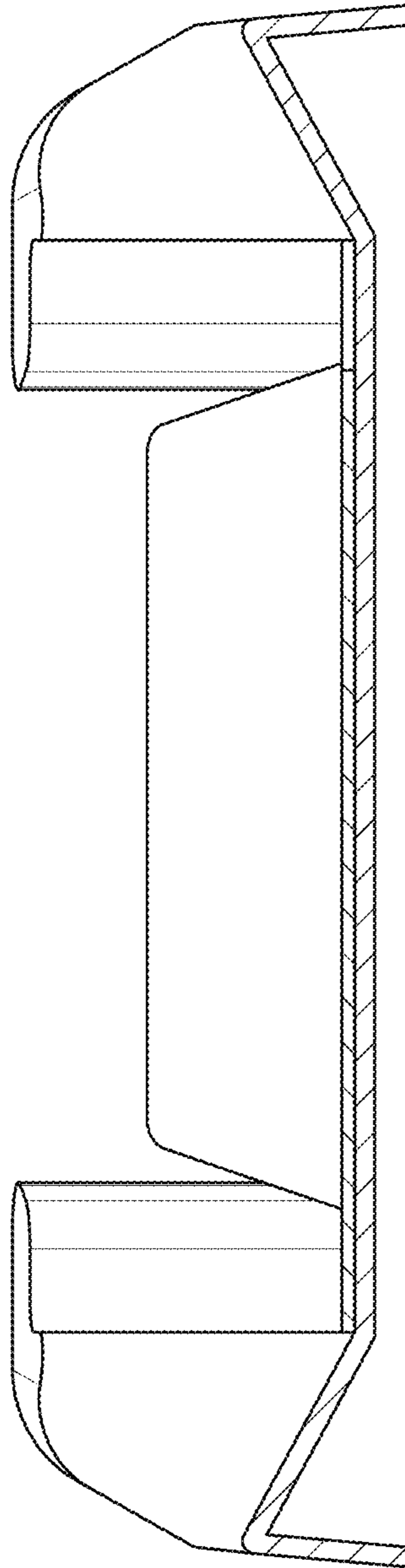


FIG. 8

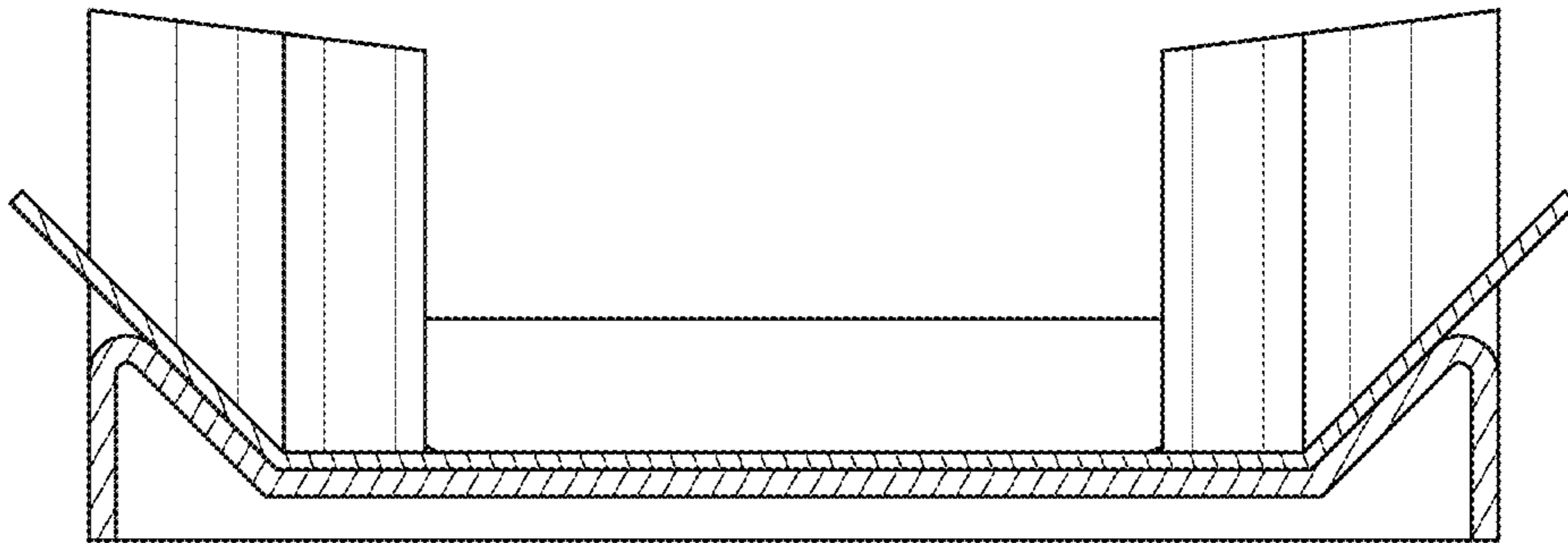


FIG. 9