



US00D814287S

(12) **United States Design Patent** (10) **Patent No.:** **US D814,287 S**
Smith (45) **Date of Patent:** **** Apr. 3, 2018**

(54) **SHOCK MOUNT**
(71) Applicant: **Steeda Autosports, Inc.**, Valdosta, GA (US)
(72) Inventor: **Brandon Lee Smith**, Valdosta, GA (US)
(73) Assignee: **STEEDA AUTOSPORTS, INC.**, Pompano Beach, FL (US)

D625,977 S * 10/2010 Watson D23/262
D658,046 S * 4/2012 Austin, III D8/385
D672,639 S * 12/2012 Pawluk D8/398
D794,760 S * 8/2017 Morlet D23/265
D795,399 S * 8/2017 Morlet D23/265
D798,422 S * 9/2017 Yarborough D23/261

* cited by examiner

Primary Examiner — Cynthia Underwood
(74) *Attorney, Agent, or Firm* — Jon Gibbon; Fleit Gibbons Gutman Bongini & Bianco P.L.

(**) Term: **15 Years**

(21) Appl. No.: **29/598,118**

(22) Filed: **Mar. 23, 2017**

(51) **LOC (11) Cl.** **08-08**

(52) **U.S. Cl.**
USPC **D8/398**

(58) **Field of Classification Search**
USPC D8/398, 394, 382, 349; 411/435, 437, 411/510, 427, 337, 429
CPC F16B 15/00
See application file for complete search history.

(56) **References Cited**

U.S. PATENT DOCUMENTS

D155,997 S * 11/1949 Gries 411/435
D484,786 S * 1/2004 O'Connor D8/398
D510,260 S * 10/2005 Jennings D8/398
D563,213 S * 3/2008 Sato D8/382

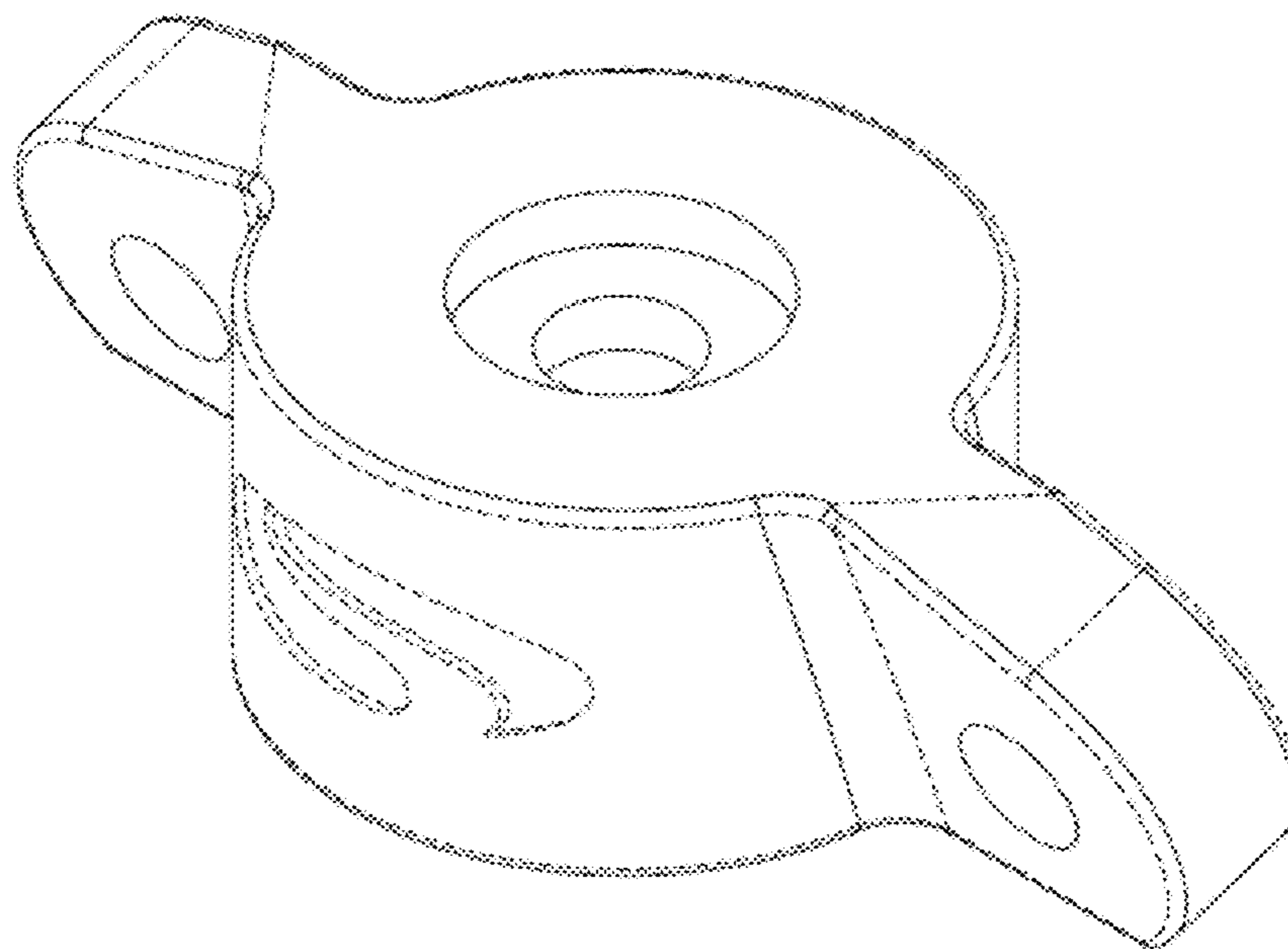
(57) **CLAIM**

The ornamental design for a shock mount, as shown and described.

DESCRIPTION

FIG. 1 is a first perspective view of an example of the camber mount;
FIG. 2 is a second perspective view thereof;
FIG. 3 is a first elevational view thereof;
FIG. 4 is a second elevational view thereof;
FIG. 5 is a first side elevational view thereof;
FIG. 6 is a second side elevational view thereof;
FIG. 7 is a top plan view thereof; and,
FIG. 8 is a bottom plan view thereof.
The broken lines represent environment that forms no part of the claim.

1 Claim, 8 Drawing Sheets



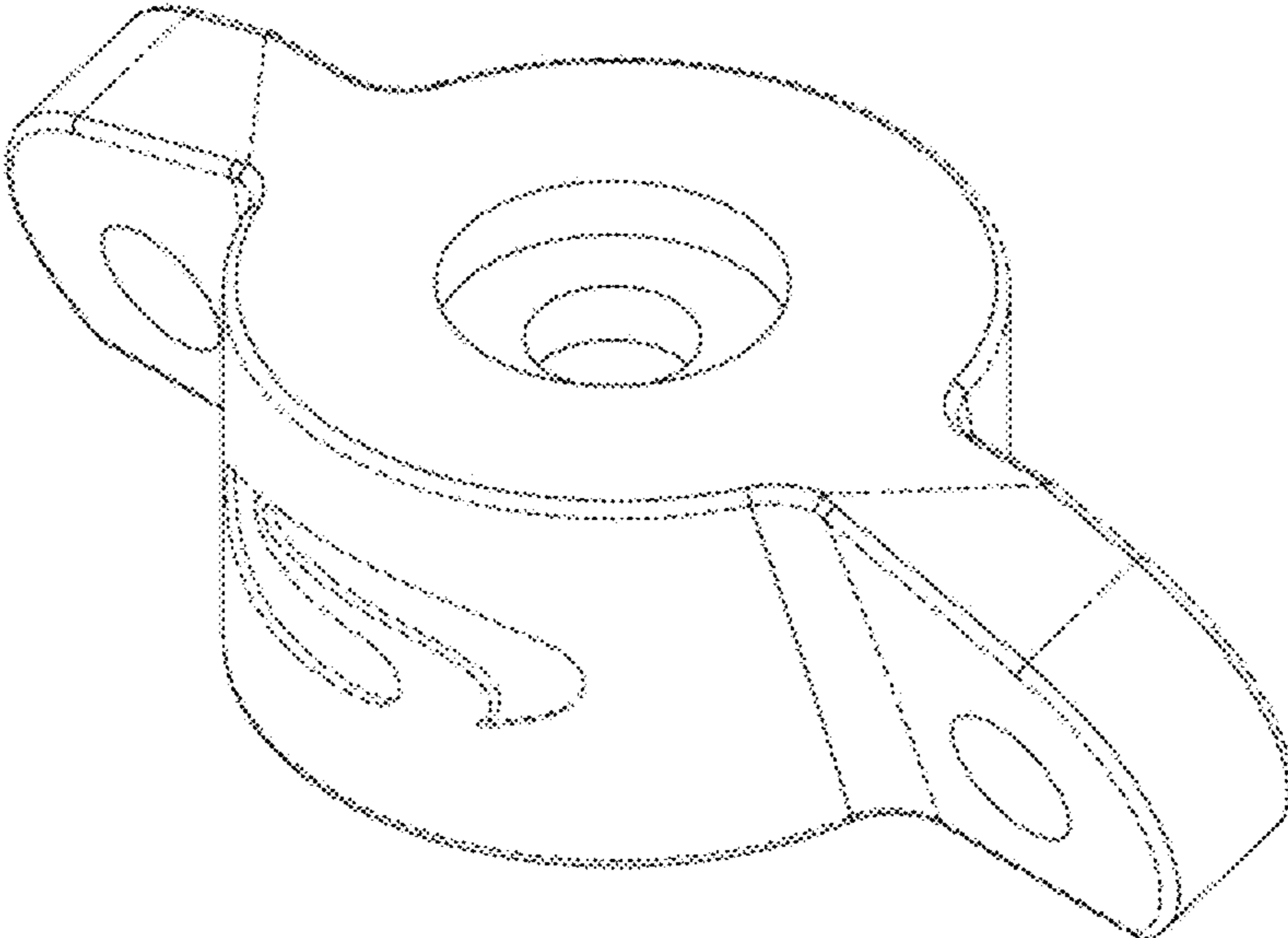


FIG. 1

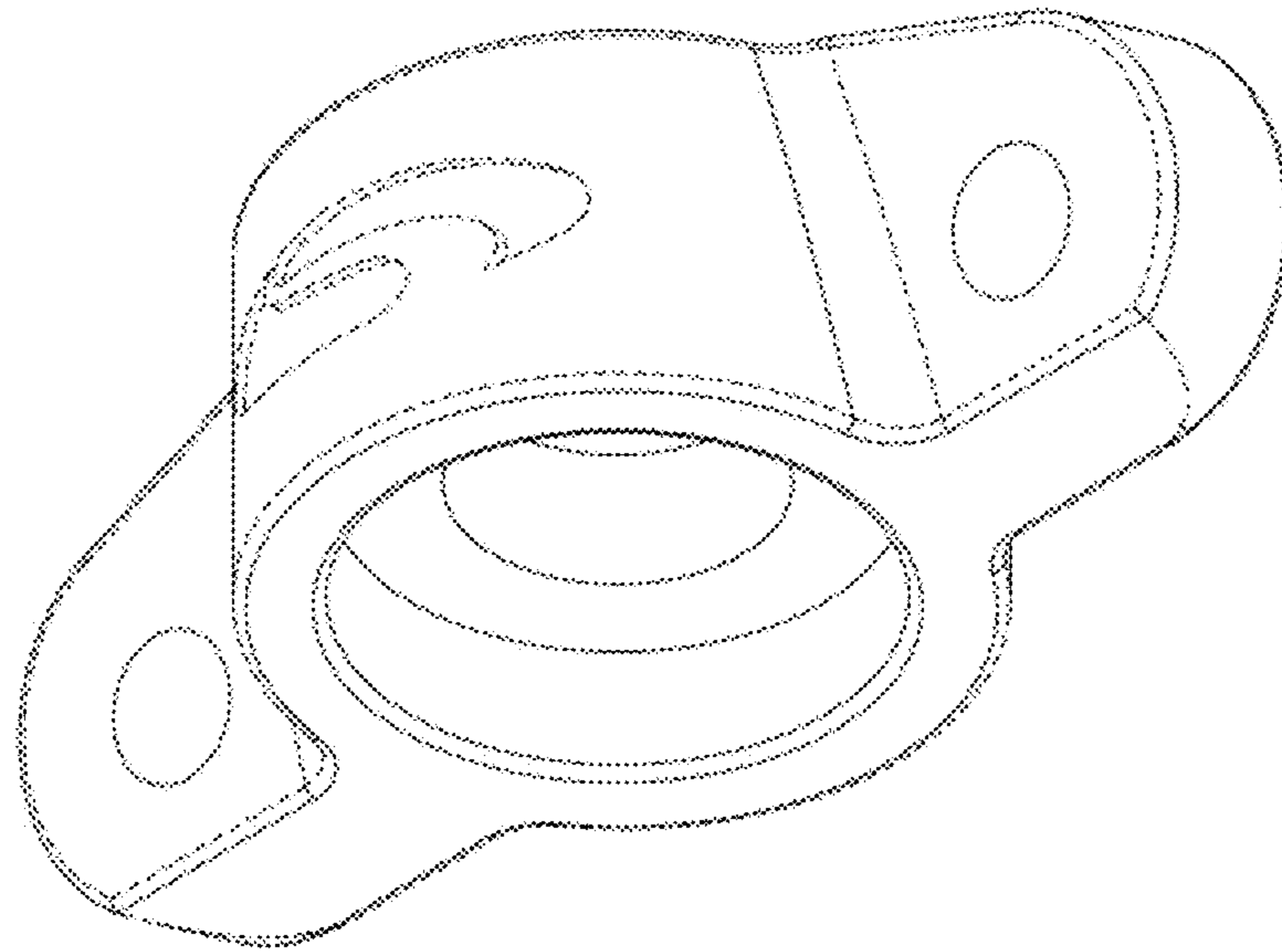


FIG. 2

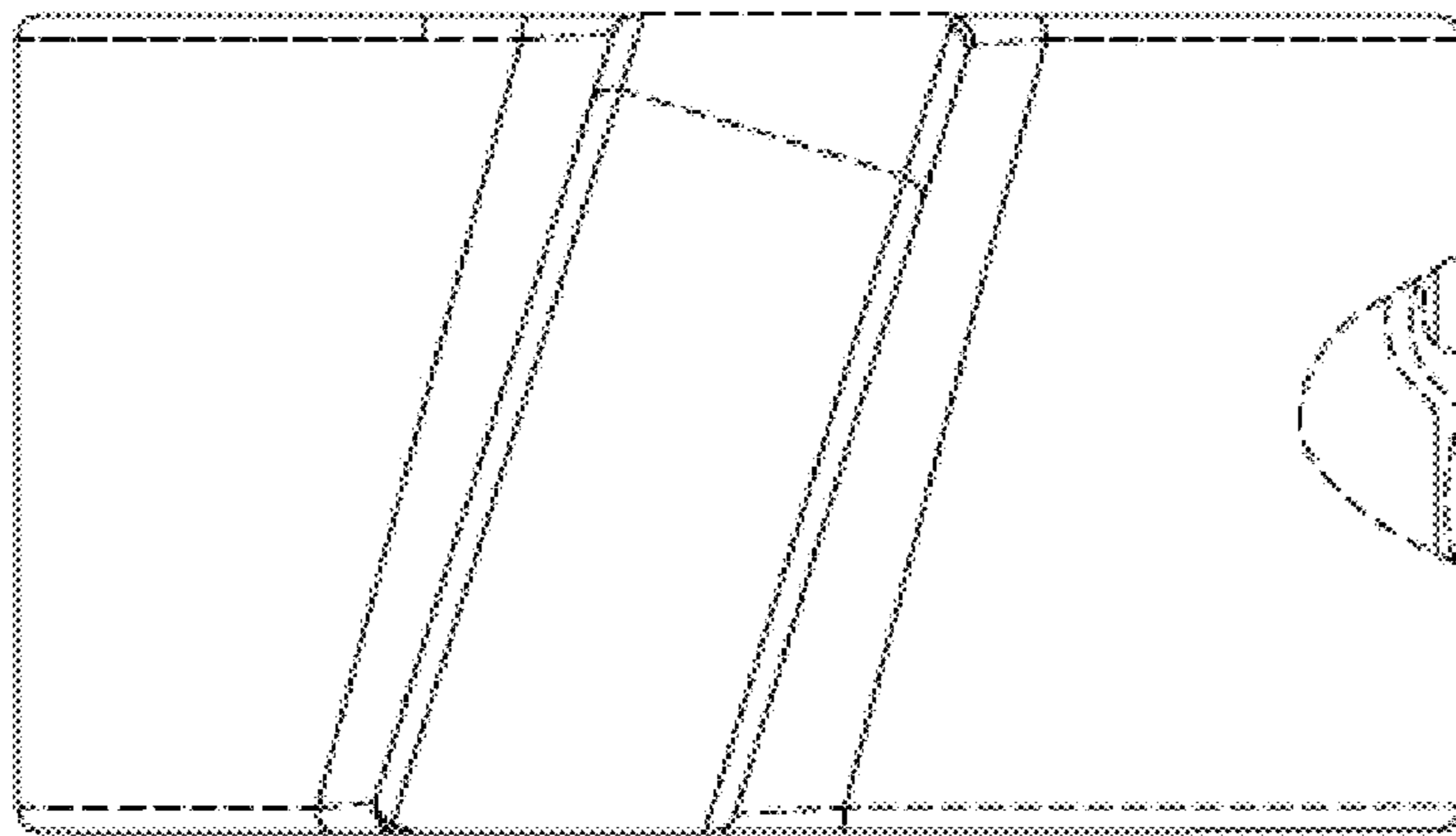


FIG. 3

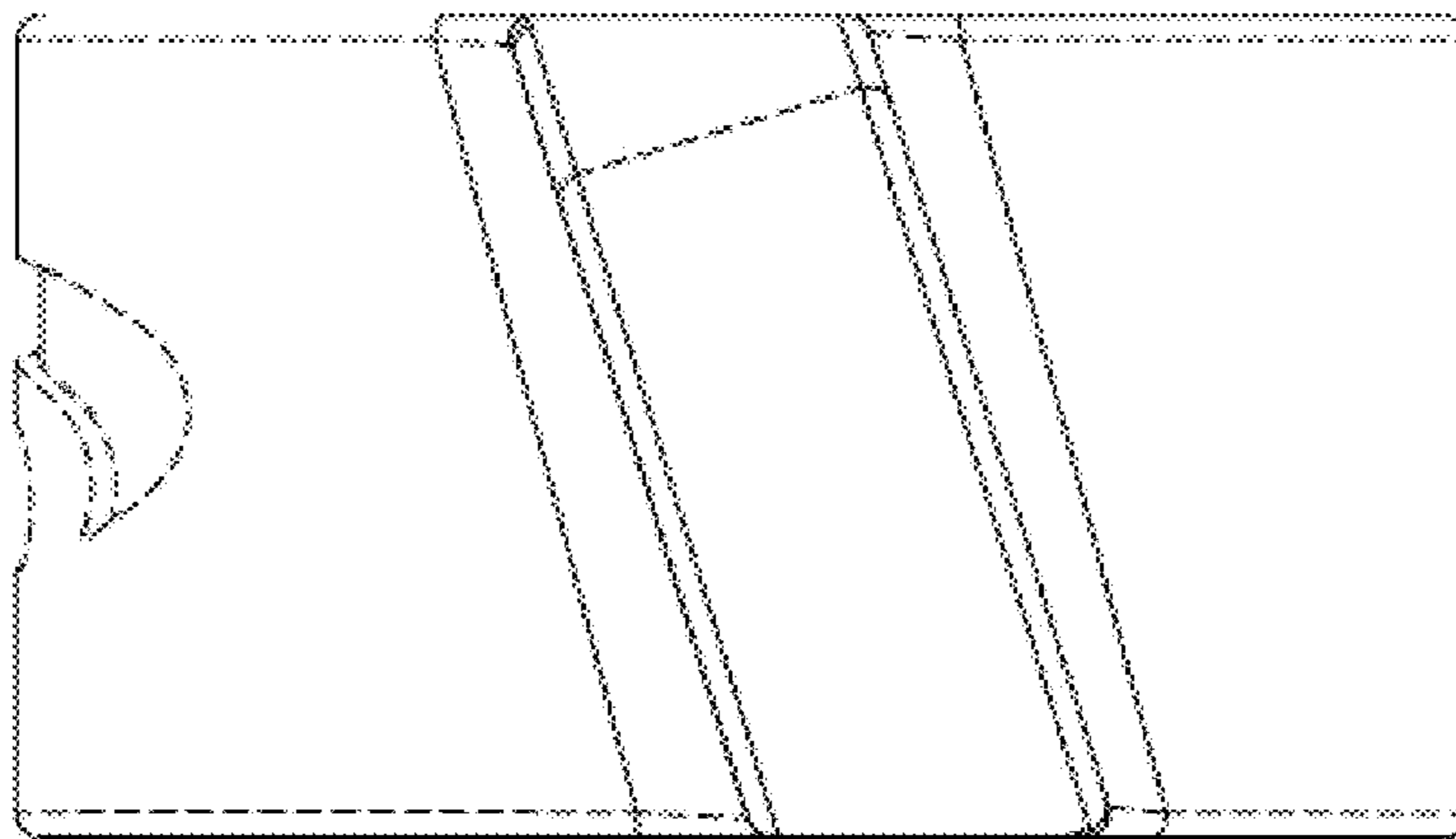


FIG. 4

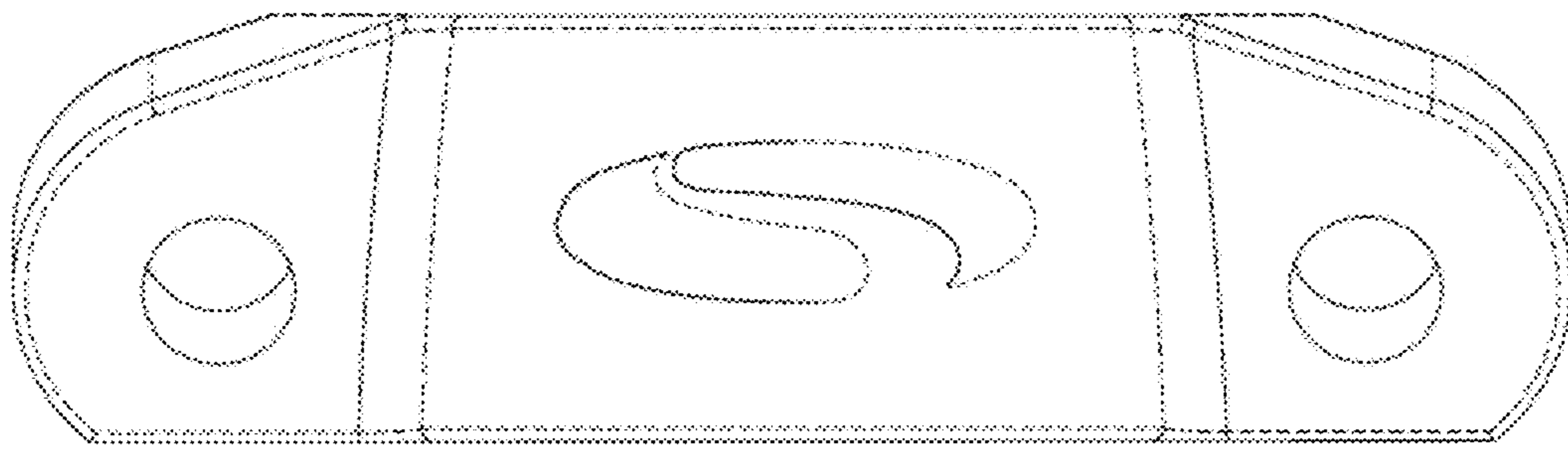


FIG. 5

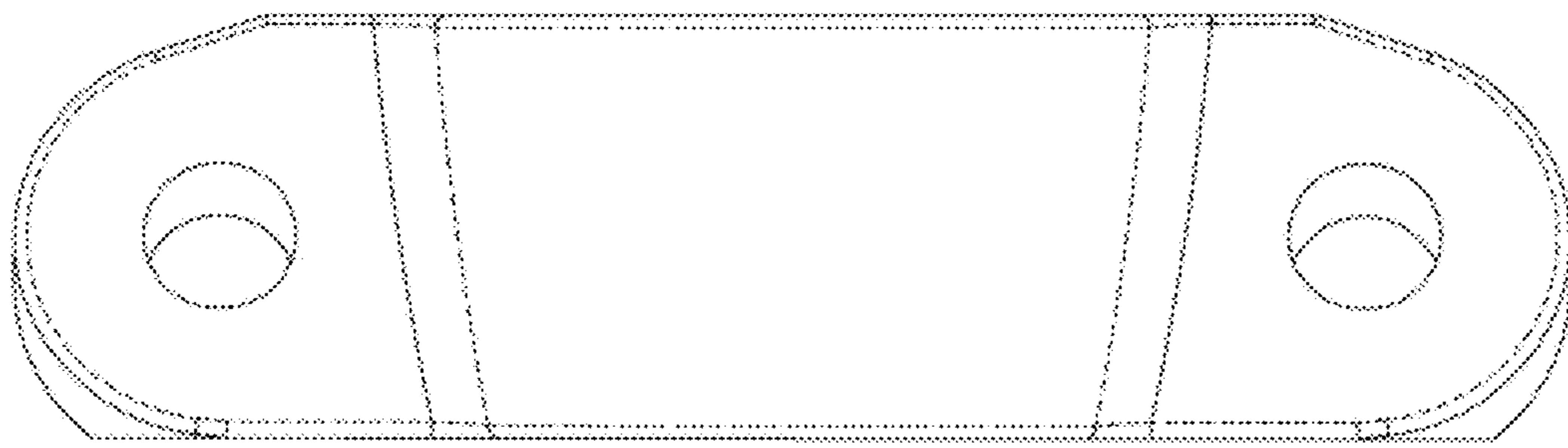


FIG. 6

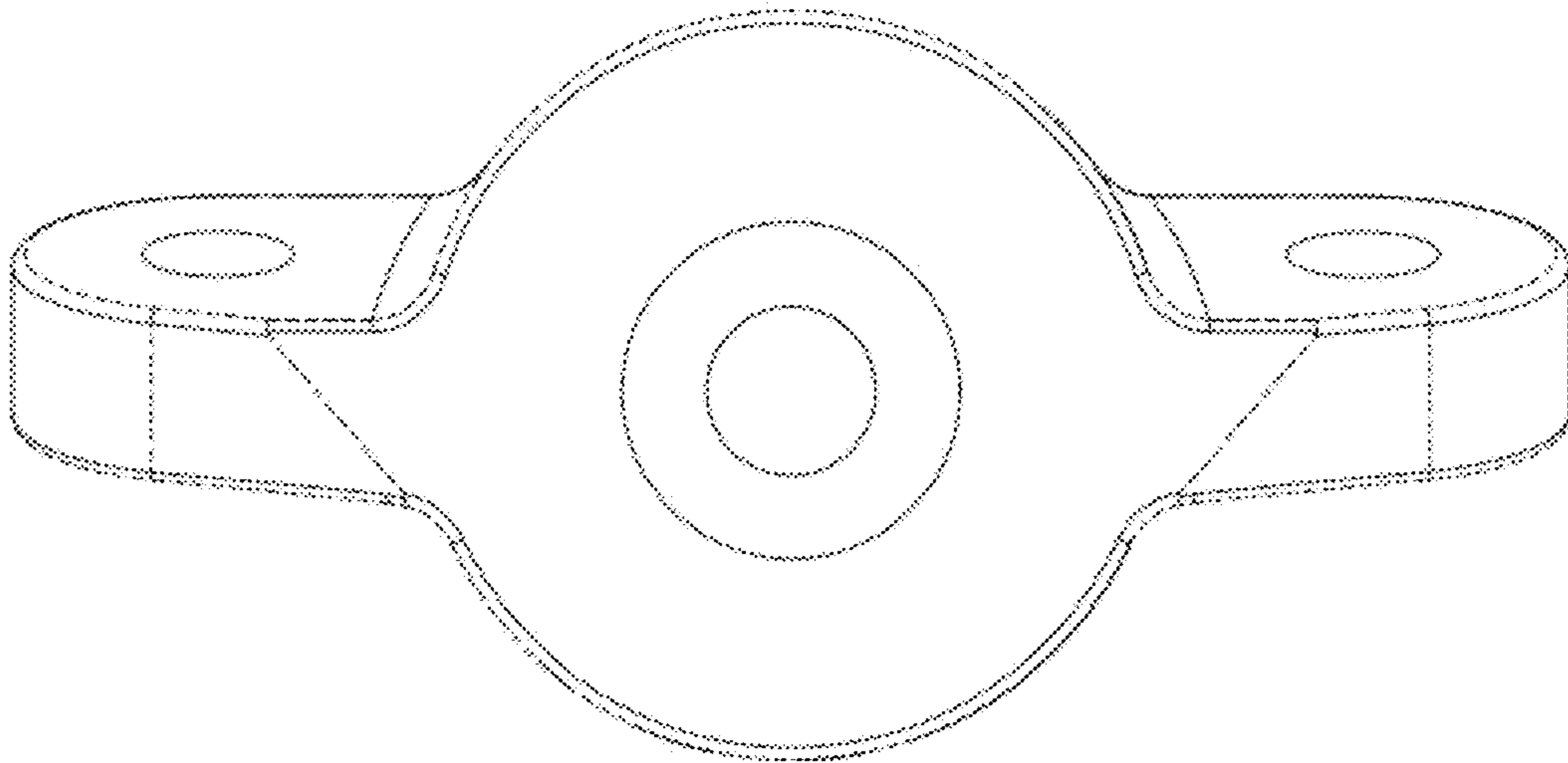


FIG. 7

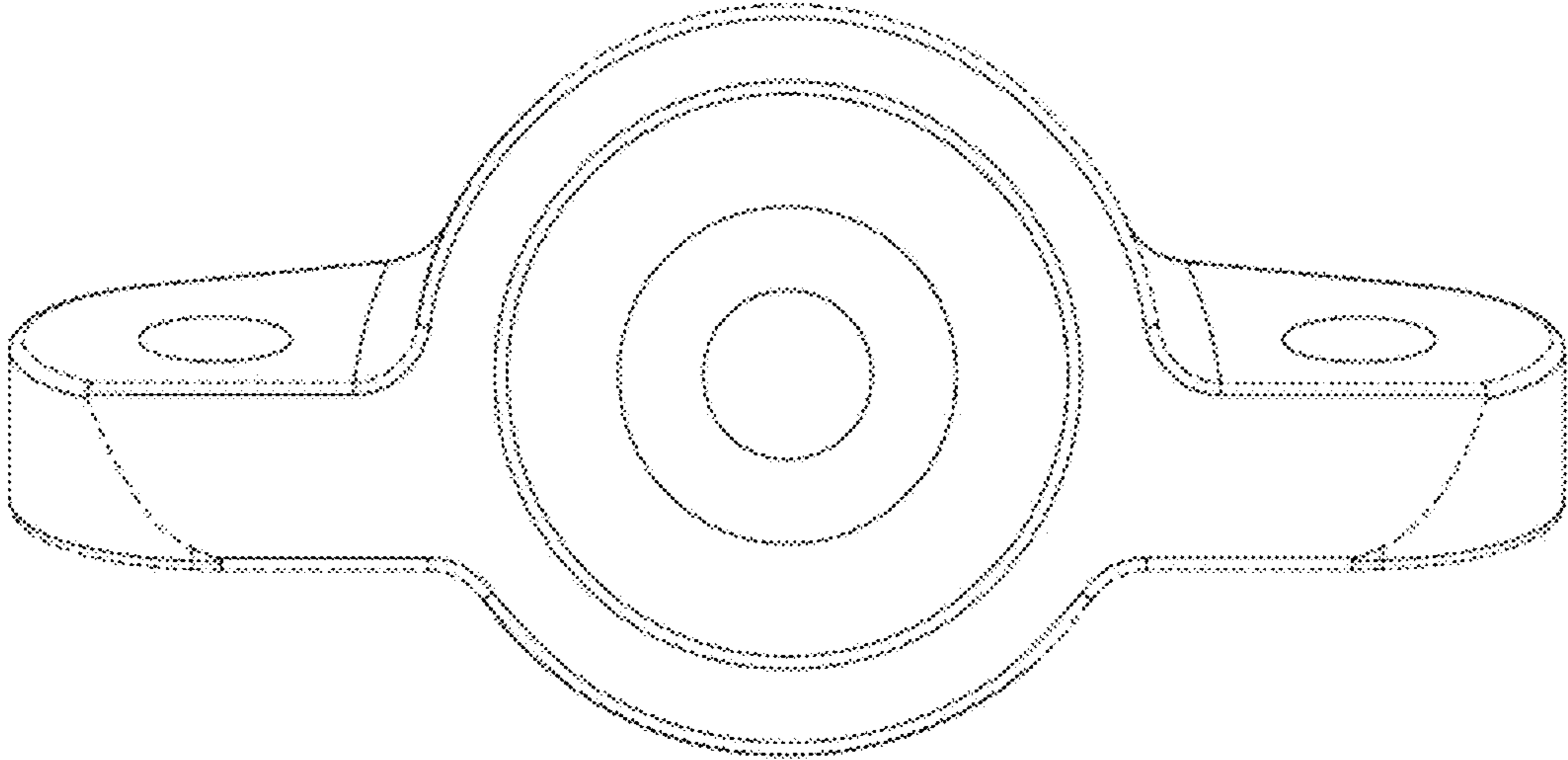


FIG. 8