



US00D814286S

(12) **United States Design Patent**
Chapman

(10) **Patent No.:** **US D814,286 S**

(45) **Date of Patent:** **** Apr. 3, 2018**

- (54) **YOKE COLLAR**
- (71) Applicant: **OREGON HEALTH & SCIENCE UNIVERSITY**, Portland, OR (US)
- (72) Inventor: **Mark A. Chapman**, Portland, OR (US)
- (73) Assignee: **Oregon Health & Science University**, Portland, OR (US)

- 5,141,207 A * 8/1992 Meglino E04F 11/18
256/1
- D536,607 S * 2/2007 Bekkevold D8/396
- D539,639 S * 4/2007 Nagle D8/396
- D681,440 S * 5/2013 Yu D8/396
- D708,053 S * 7/2014 Marini D24/127
- D735,025 S * 7/2015 Mathien D8/396
- D803,757 S * 11/2017 Giordano D12/223
- D804,936 S * 12/2017 Smith D8/356

(**) Term: **15 Years**

(21) Appl. No.: **29/597,966**

(22) Filed: **Mar. 21, 2017**

(51) **LOC (11) Cl.** **08-08**

(52) **U.S. Cl.**
USPC **D8/396**

(58) **Field of Classification Search**
USPC D8/349–356, 358, 359, 363, 365, 366,
D8/371, 373, 374, 375, 380, 381, 382,
D8/387, 391, 393, 394, 396, 370, 367;
D14/239, 126, 451; D13/153, 154, 120,
D13/137.4

CPC .. F16B 7/0466; F16B 7/04; F16B 1/00; F16L
3/00; F16L 11/00; E04B 2001/405; B60B
33/0089; B60B 33/0097; F16M 13/02;
F16M 13/025; B65H 54/00; B65H 75/00;
E04H 17/06; E05B 65/00; E05C 5/00

See application file for complete search history.

(56) **References Cited**

U.S. PATENT DOCUMENTS

- 3,022,044 A * 2/1962 Gugino E04H 17/06
256/47
- 3,857,593 A * 12/1974 Lening E05B 65/0007
292/5
- D308,116 S * 5/1990 Vandergriff D26/149

* cited by examiner

Primary Examiner — Rosemary K Tarcza

Assistant Examiner — Christy Nemeth

(74) *Attorney, Agent, or Firm* — Schwabe, Williamson & Wyatt, P.C.

(57) **CLAIM**

I claim the ornamental design for a yoke collar, as shown and described.

DESCRIPTION

FIG. 1 is a top perspective view of a yoke collar, showing my new design;

FIG. 2 is a bottom perspective view thereof;

FIG. 3 is a front view thereof;

FIG. 4 is a back view thereof;

FIG. 5 is a right side view thereof;

FIG. 6 is a left side view thereof;

FIG. 7 is a top view thereof;

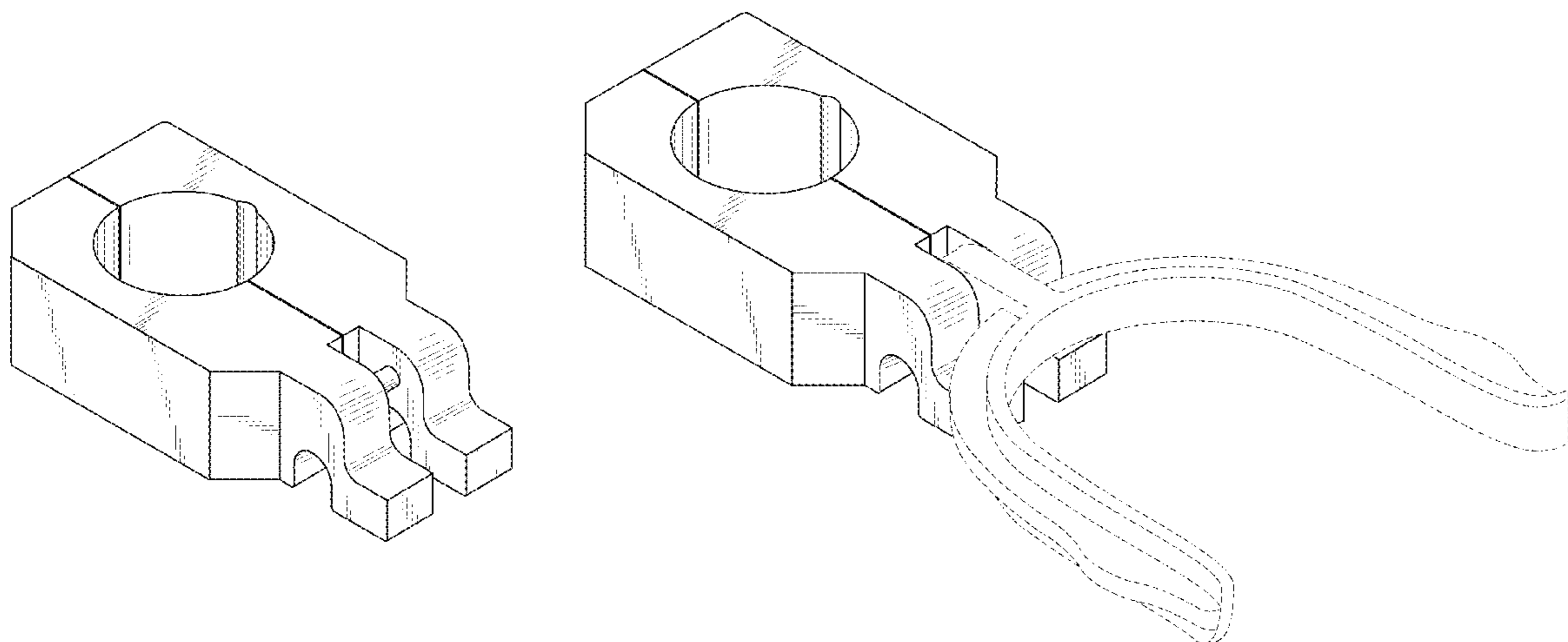
FIG. 8 is a bottom view thereof;

FIG. 9 is a top perspective view of the yoke collar shown in the environment of a yoke;

FIG. 10 is a left side view of the yoke collar shown in the environment of a yoke; and,

FIG. 11 is a left side view of the yoke collar in a state of use. The dashed lines are included for illustrating environmental structure and form no part of the claimed design.

1 Claim, 6 Drawing Sheets



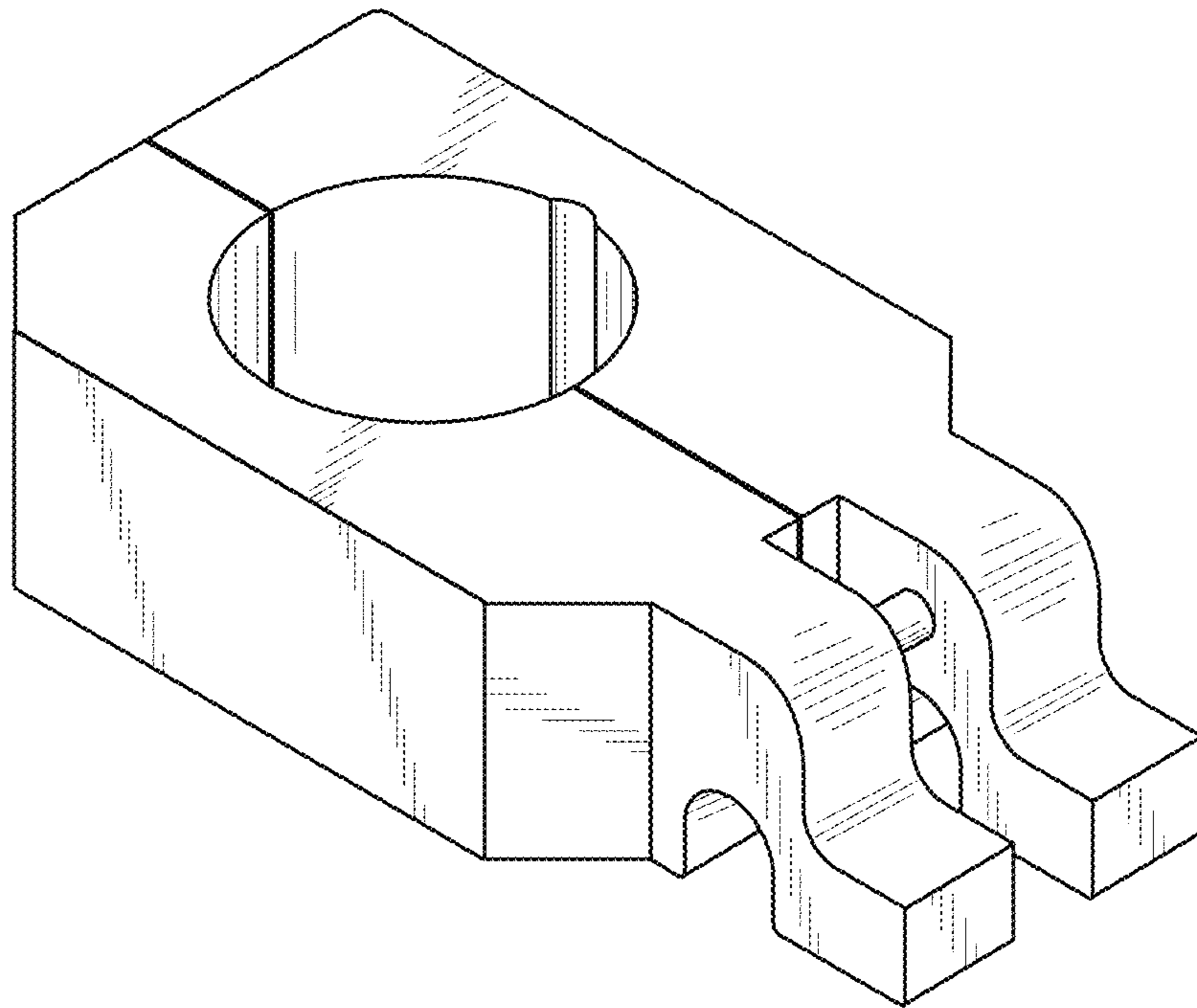


FIG. 1

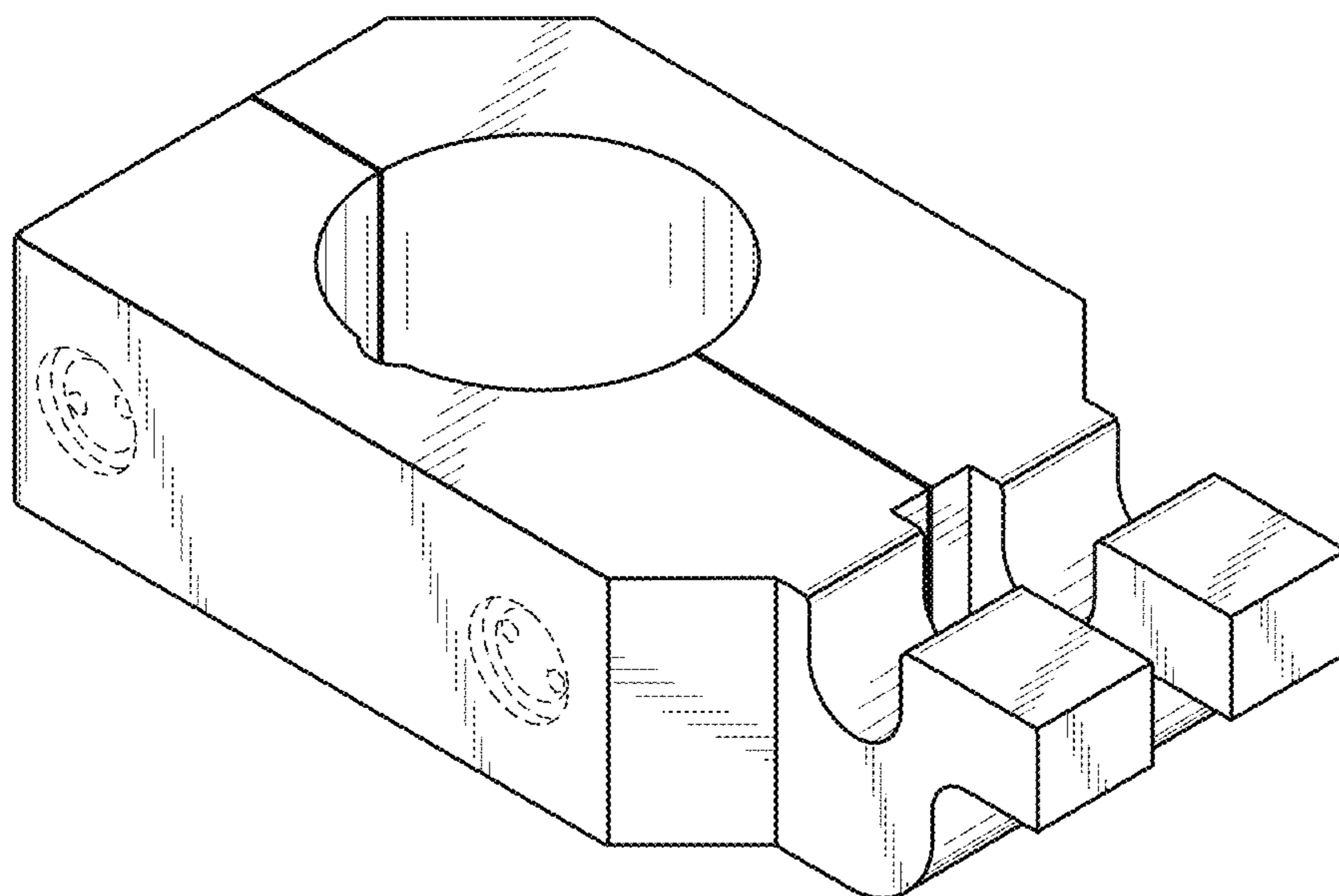


FIG. 2

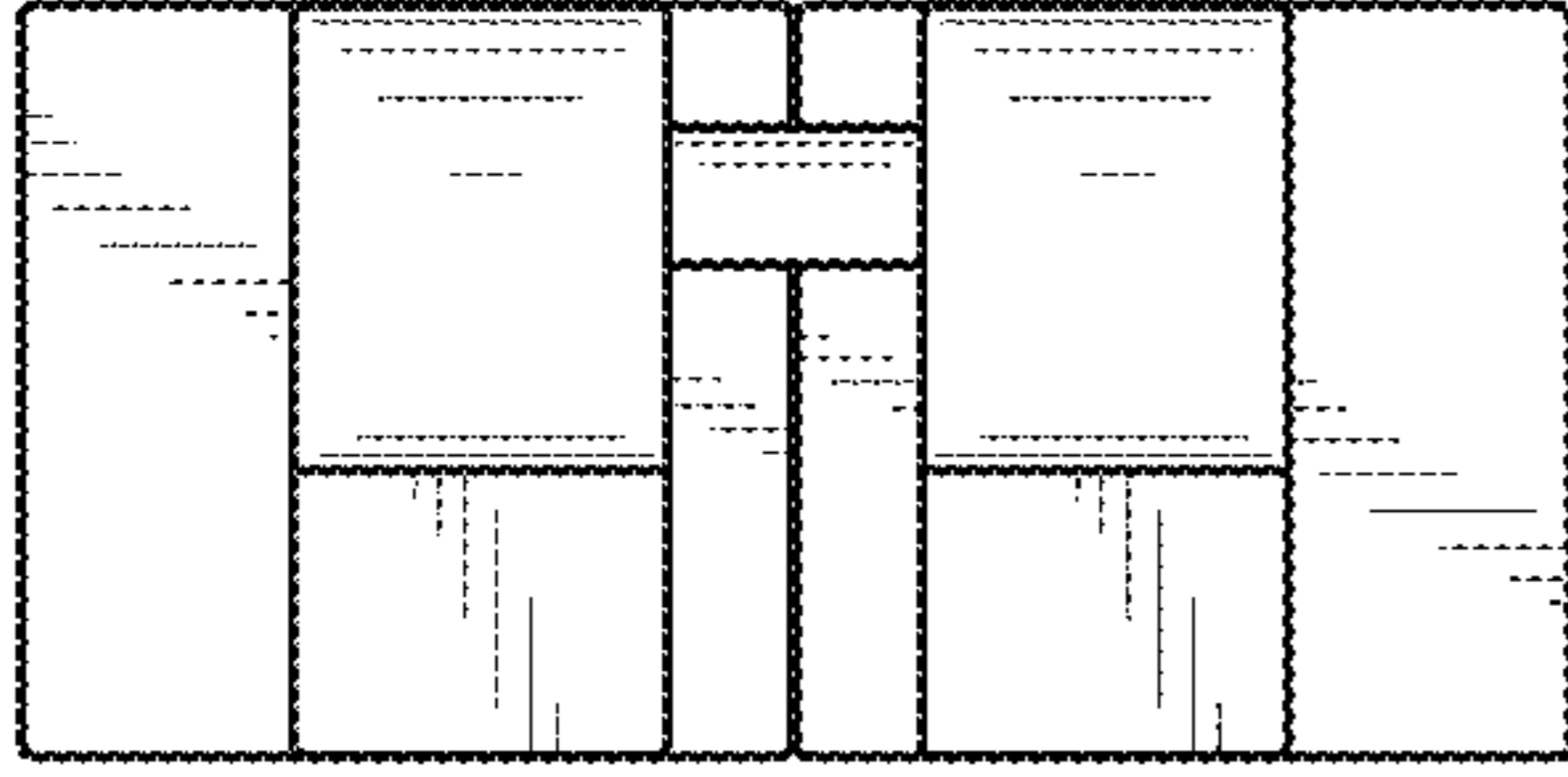


FIG. 3

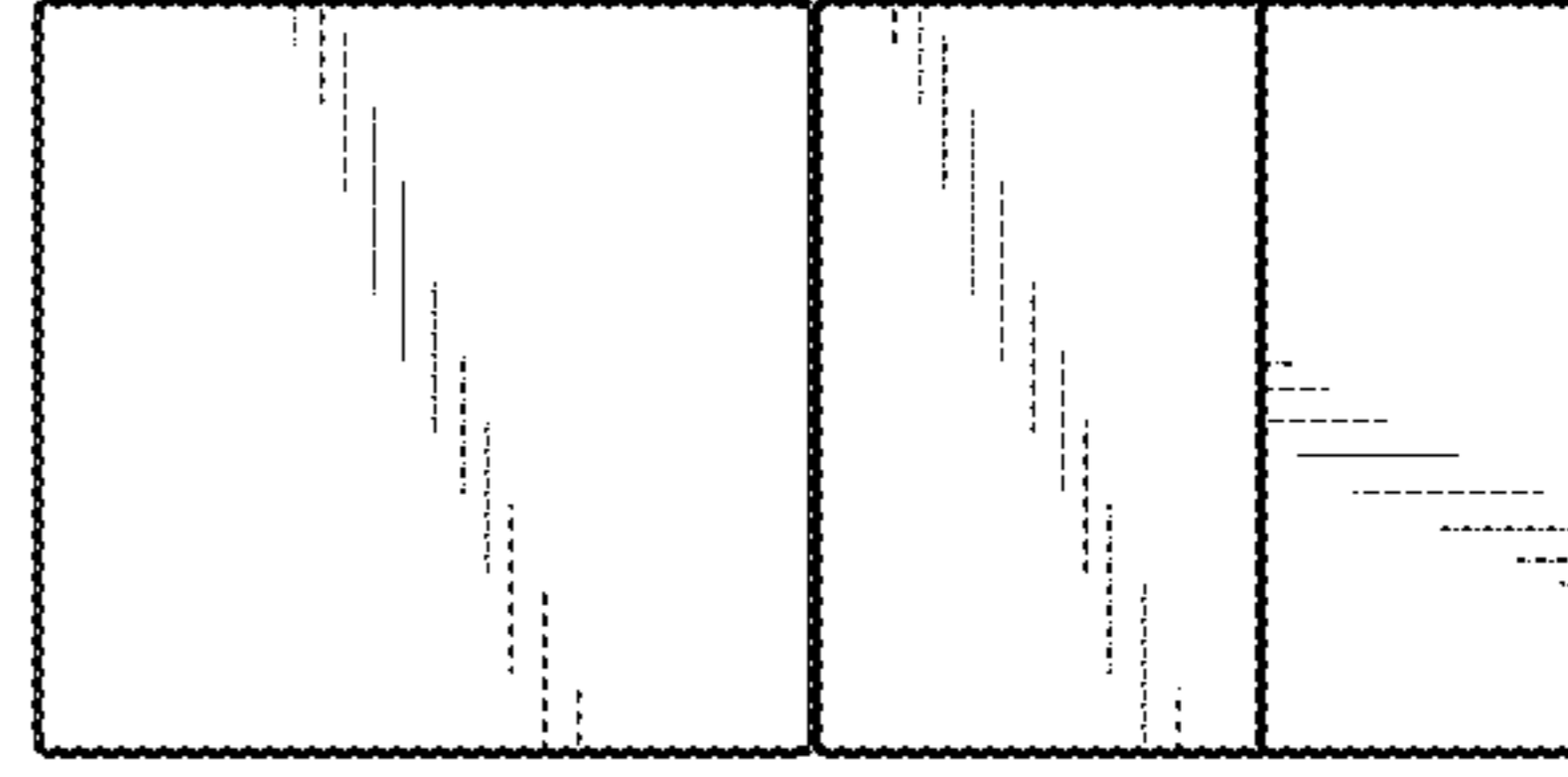


FIG. 4

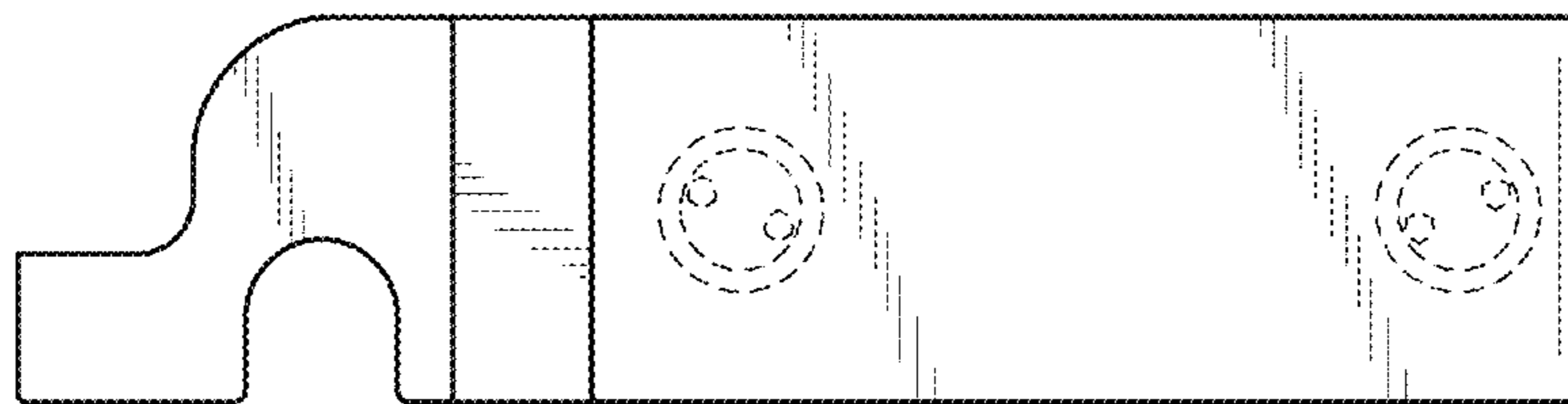


FIG. 5

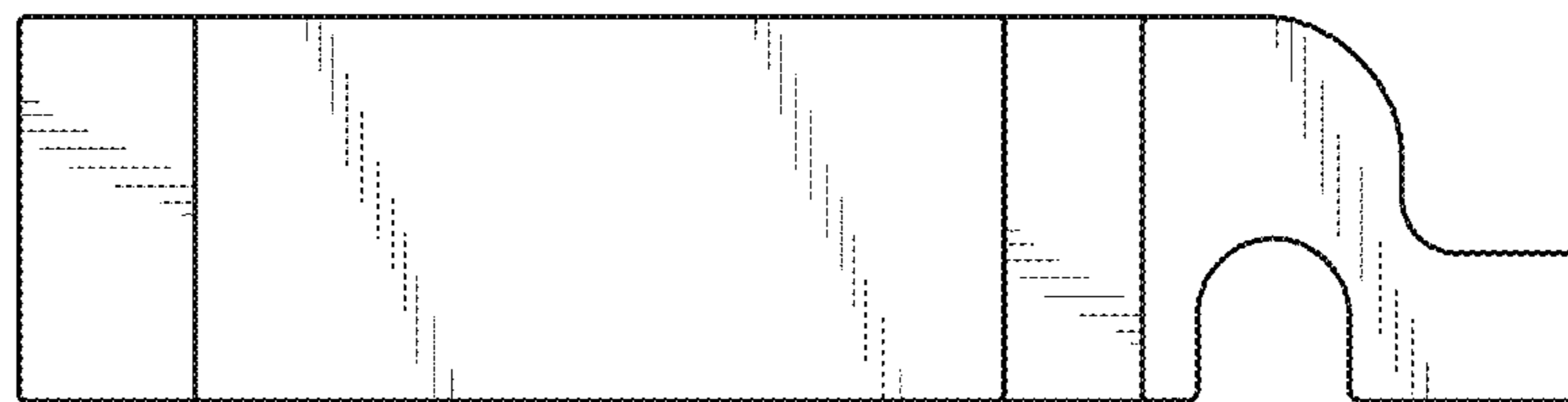


FIG. 6

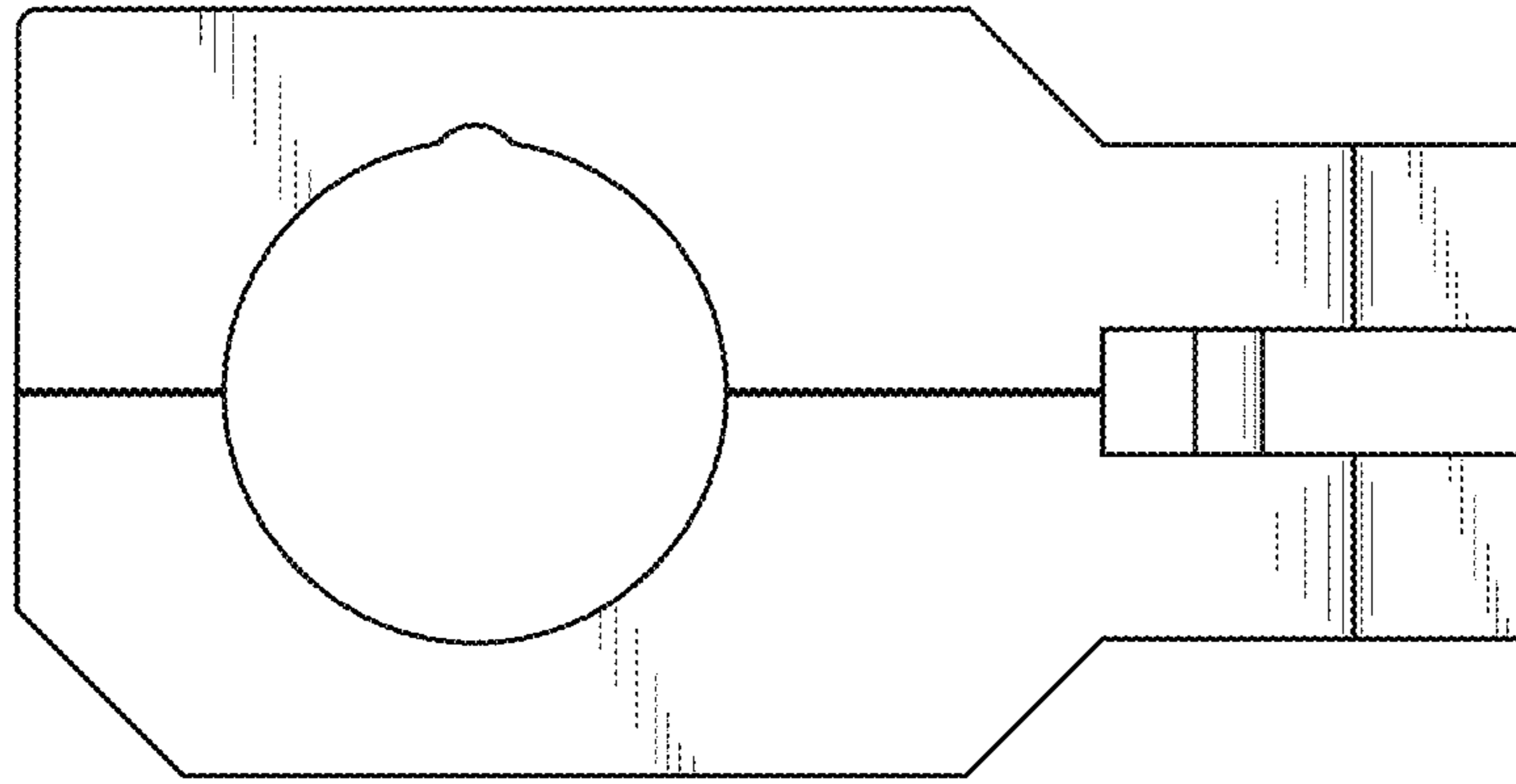


FIG. 7

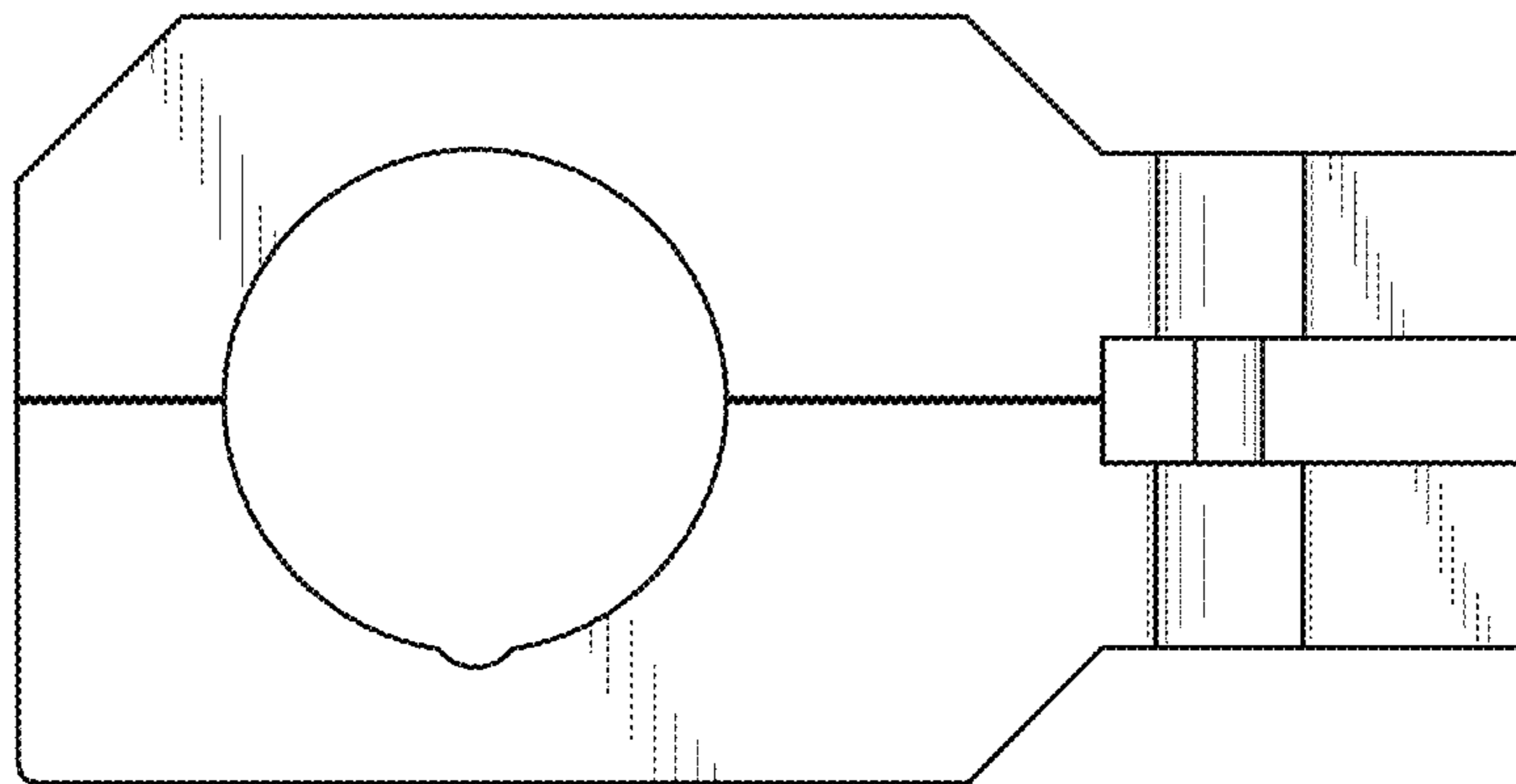


FIG. 8

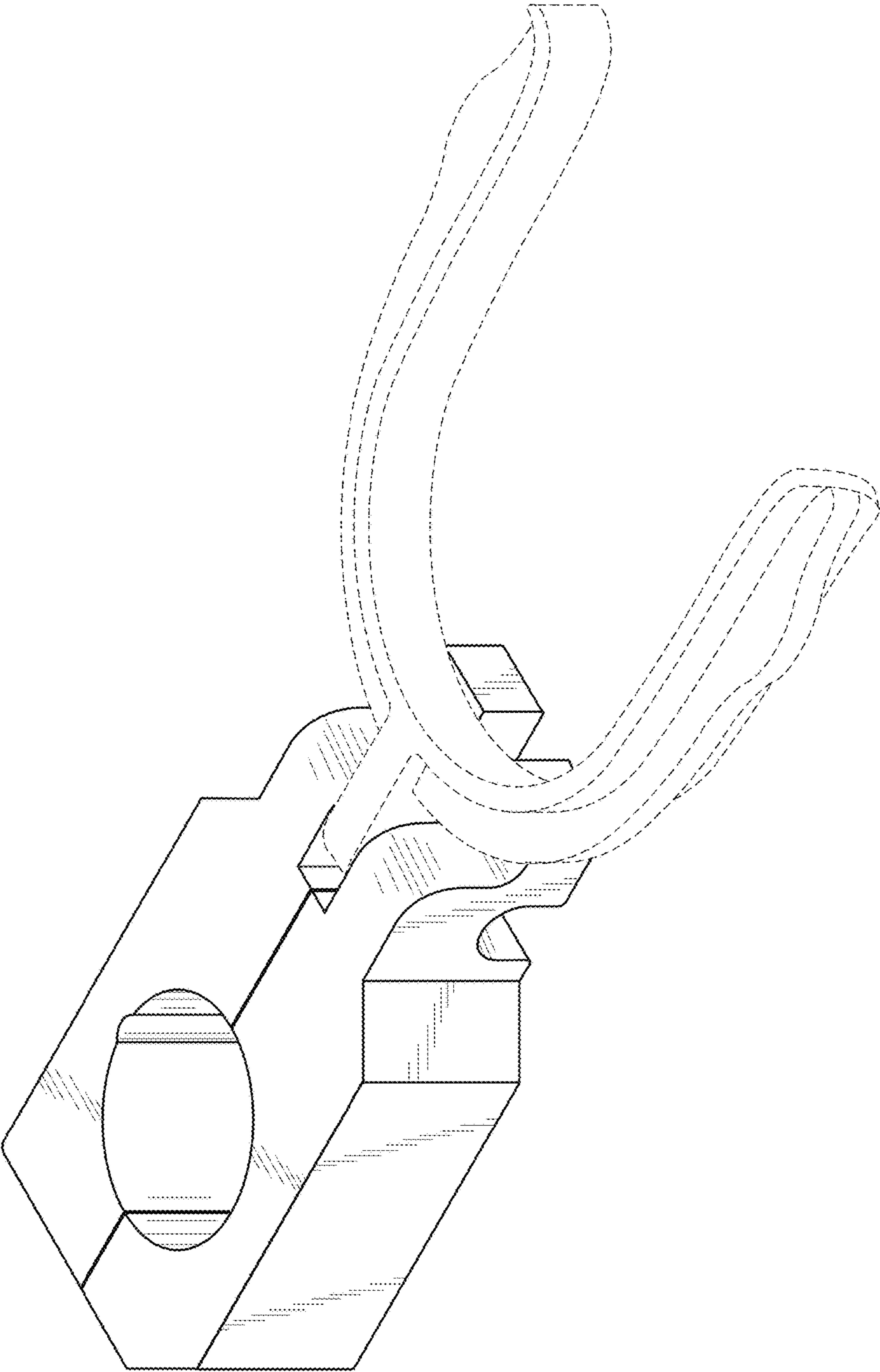


FIG. 9

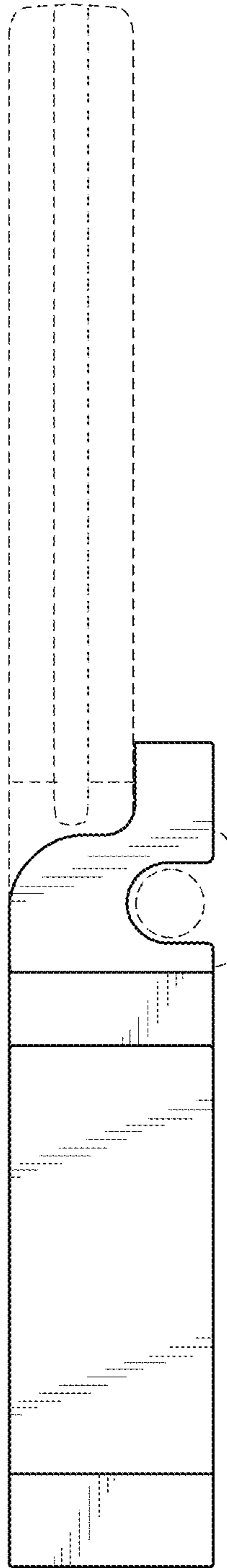


FIG. 10

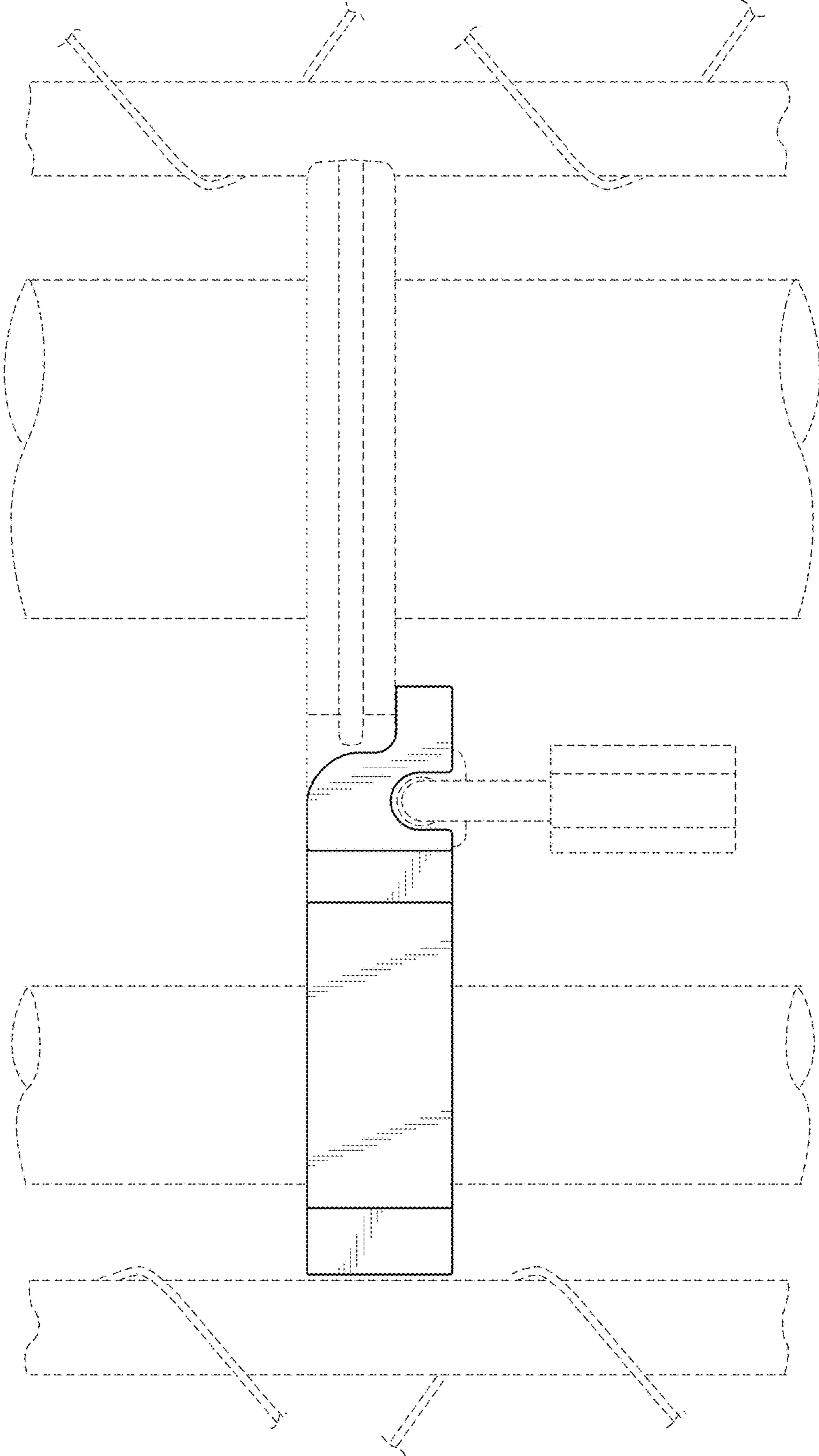


FIG. 11