



US00D814284S

(12) **United States Design Patent**  
**Howard**

(10) **Patent No.:** **US D814,284 S**

(45) **Date of Patent:** **\*\* \*Apr. 3, 2018**

(54) **CLOTHES PIN**

(71) Applicant: **Michael Paul Howard**, Rochdale (GB)

(72) Inventor: **Michael Paul Howard**, Rochdale (GB)

(73) Assignee: **Vale Mills (Rochdale), Limited** (GB)

(\*) Notice: This patent is subject to a terminal disclaimer.

(\*\*) Term: **14 Years**

(21) Appl. No.: **29/467,094**

(22) Filed: **Sep. 16, 2013**

(51) **LOC (11) Cl.** ..... **08-08**

(52) **U.S. Cl.**  
USPC ..... **D8/395**

(58) **Field of Classification Search**  
USPC ..... D8/394-396, 71-74, 499, 354-355;  
D19/65, 164, 166, 196; D11/164, 78.1;  
D32/35  
CPC . D06F 55/00; A44D 2203/00; A61B 17/0664;  
A61B 17/04; A61B 17/1265; A43D  
79/00; A41B 3/08; A41F 15/02; A62F  
2/0063

See application file for complete search history.

(56) **References Cited**

**U.S. PATENT DOCUMENTS**

2,667,678	A *	2/1954	Hargrave et al. ....	24/508
2,782,482	A *	2/1957	Baril et al. ....	24/501
3,317,973	A *	5/1967	Finkle ....	24/564
3,453,700	A *	7/1969	Teague, Jr. et al. ....	24/557
3,456,262	A *	7/1969	Herb ....	24/501
D251,345	S *	3/1979	Bigelow et al. ....	D6/328
D302,379	S *	7/1989	Strand ....	D8/72
D302,654	S *	8/1989	Cetrone ....	D8/395
D317,116	S *	5/1991	Nimtz ....	D32/64
D322,390	S *	12/1991	Nimtz et al. ....	D8/395
D367,223	S *	2/1996	Adams ....	D8/395
D433,318	S *	11/2000	Chang ....	D8/395
D457,409	S *	5/2002	Noniewicz ....	D8/72

D477,029	S *	7/2003	Korowitz .....	D19/65
D514,926	S *	2/2006	Wu .....	D8/395
D565,662	S *	4/2008	Reardon .....	D19/65

(Continued)

**FOREIGN PATENT DOCUMENTS**

CN	3318266	*	9/2003
CN	301002457	*	9/2009

(Continued)

**OTHER PUBLICATIONS**

Amazon.com—Moerman Laundry Solutions 24 Soft Grip Pegs, review date Jul. 11, 2010, online, site visited May 8, 2015, [http://www.amazon.com/Moerman-Laundry-Solutions-88355-Soft/dp/B003DTKUJ6/ref=sr\\_1\\_109?ie=UTF8&qid=1431140702&sr=8-109&keywords=clips.\\*](http://www.amazon.com/Moerman-Laundry-Solutions-88355-Soft/dp/B003DTKUJ6/ref=sr_1_109?ie=UTF8&qid=1431140702&sr=8-109&keywords=clips.*)

(Continued)

*Primary Examiner* — John Windmuller  
*Assistant Examiner* — John R Yeh  
(74) *Attorney, Agent, or Firm* — Clifford H. Kraft

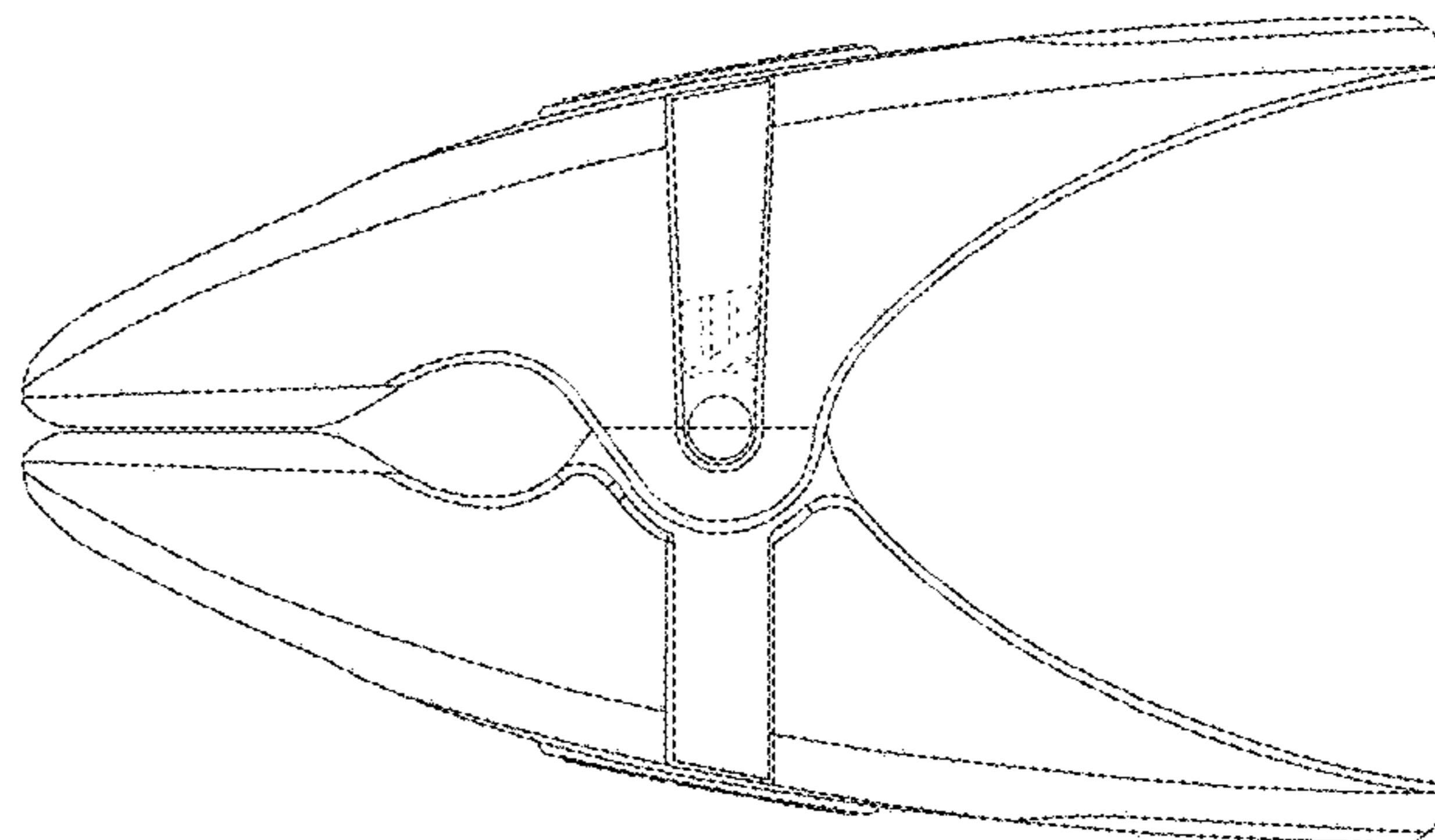
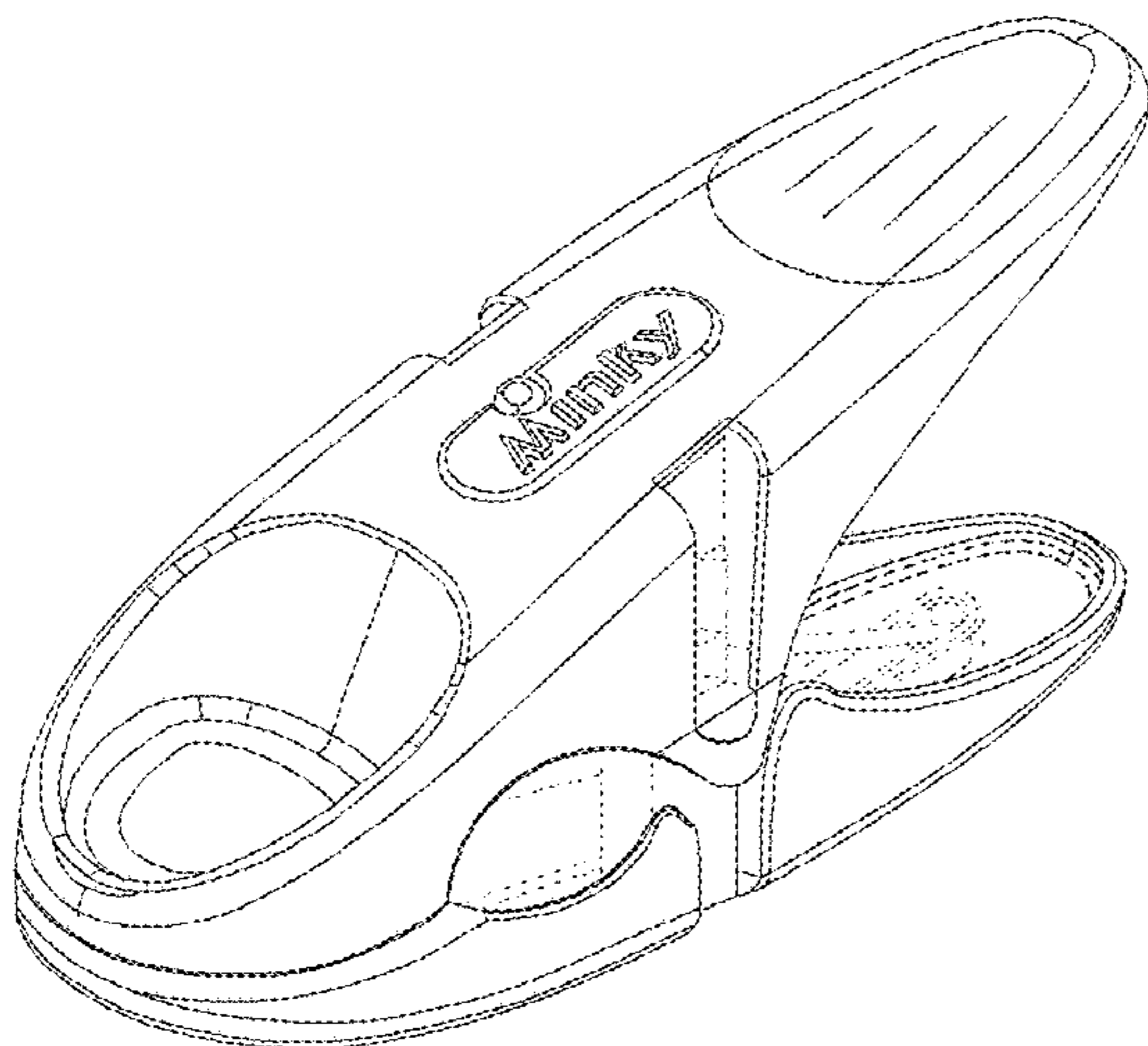
(57) **CLAIM**

The ornamental design for a clothes pin, as shown and described.

**DESCRIPTION**

FIG. 1 is a front perspective view of my new design for a clothes pin;  
FIG. 2 is a rear perspective view thereof;  
FIG. 3 is a top plan view thereof, the bottom plan view being a mirror image thereof;  
FIG. 4 is a right side elevation view thereof;  
FIG. 5 is a left side elevation view thereof;  
FIG. 6 is a front elevation view thereof; and,  
FIG. 7 is a rear elevation view thereof.  
The broken lines represent portions of the clothes pin that form no part of the claimed design.  
MINKY is a Registered Trademark of Vale Mills Ltd.

**1 Claim, 6 Drawing Sheets**



(56)

References Cited

U.S. PATENT DOCUMENTS

D571,179	S	*	6/2008	Ahlgren	.....	D8/72
D611,334	S	*	3/2010	Lambert	.....	D8/395
D665,246	S	*	8/2012	Laguelle	.....	D8/395
D667,724	S	*	9/2012	Mangano	.....	D8/395
D758,839	S	*	6/2016	Kaalberg	.....	D8/395
D795,050	S	*	8/2017	Kim	.....	D8/395
2010/0269309	A1	*	10/2010	Boesi et al.	.....	24/303

FOREIGN PATENT DOCUMENTS

CN	301211510	*	5/2010
CN	301408486	*	12/2010
CN	303529060	*	12/2015

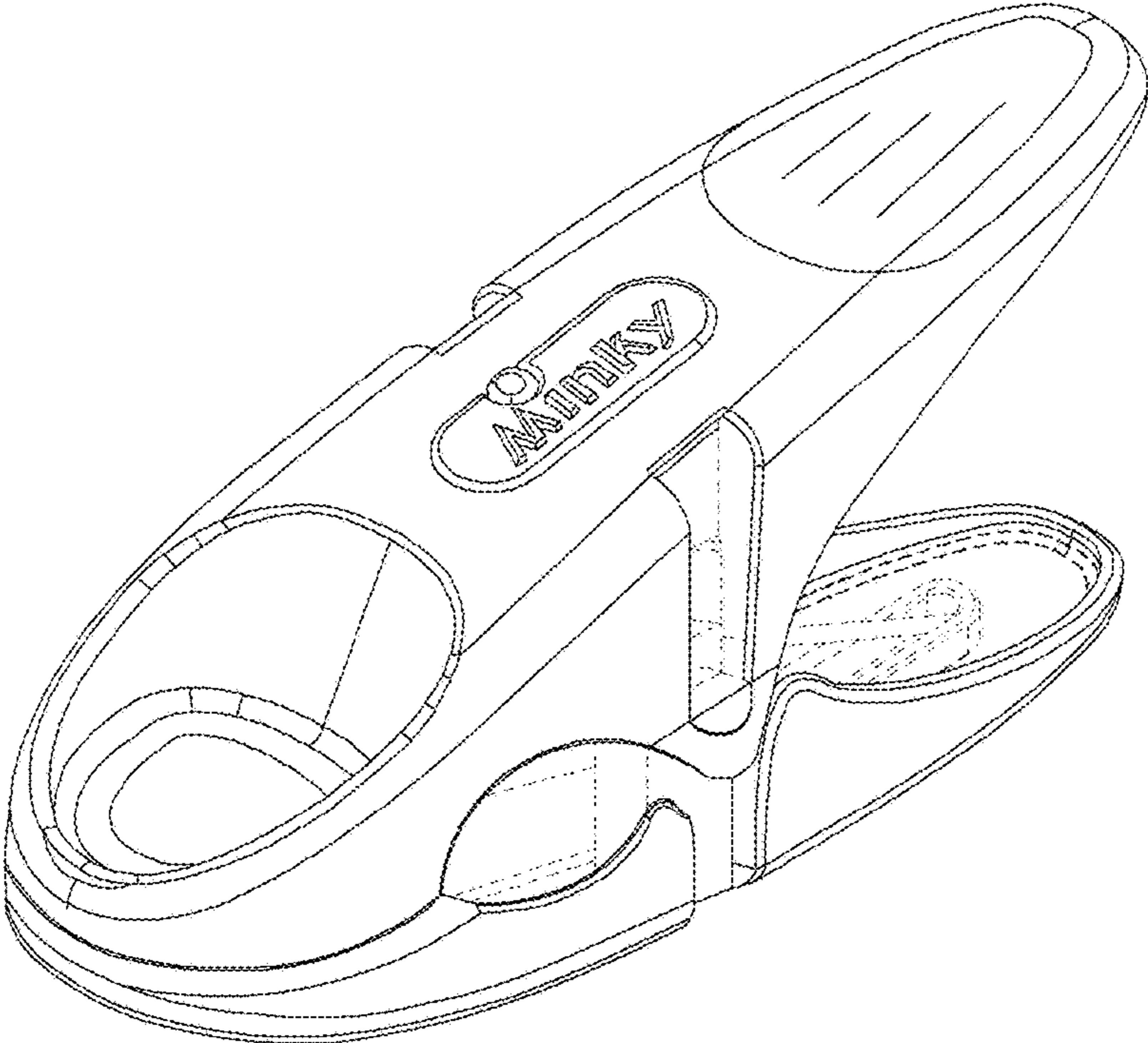
OTHER PUBLICATIONS

Amazon.com: Customer Reviews: Set of 10 Color-Coded 2" Steel Spring Clips Clamps, review date Dec. 16, 2012, online, site visited May 8, 2015, [http://www.amazon.com/Color-Coded-Steel-Spring-Clips-Clamps/product-reviews/B003JSV5W2/ref=cm\\_cr\\_pr\\_btm\\_link\\_2?ie=UTF8&showViewpoints...](http://www.amazon.com/Color-Coded-Steel-Spring-Clips-Clamps/product-reviews/B003JSV5W2/ref=cm_cr_pr_btm_link_2?ie=UTF8&showViewpoints...).\*

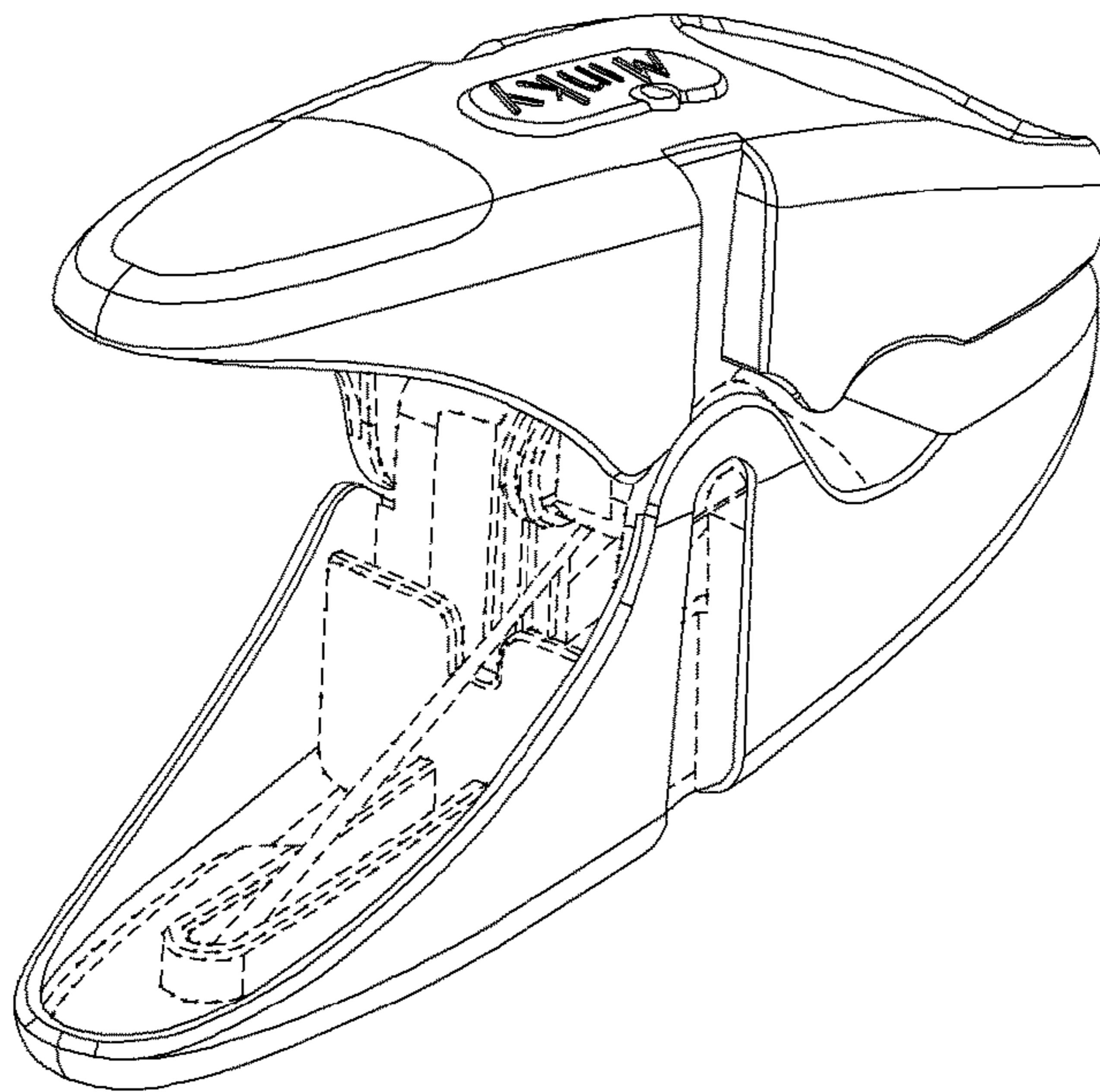
Amazon.com—Household Essentials Soft Grip Plastic Clothespins, review date Aug. 22, 2008, online, site visited May 14, 2015, [http://www.amazon.com/Household-Essentials-Plastic-Clothespins-Assorted/dp/B002UQD1S0/ref=sr\\_1\\_16?ie=UTF8&qid=1431644764&sr=8-16&key...](http://www.amazon.com/Household-Essentials-Plastic-Clothespins-Assorted/dp/B002UQD1S0/ref=sr_1_16?ie=UTF8&qid=1431644764&sr=8-16&key...).\*

AmazonSmile: Minky Suregrip Pegs, oldest review Oct. 26, 2016, [https://smile.amazon.com/Minky-Suregrip-Pegs-24-Pack/dp/B00F4UE1NI/ref=sr\\_1\\_5?ie=UTF8&qid=1503551001&sr=8-5&keywords=Minky+Clothes+pin#customerReviews](https://smile.amazon.com/Minky-Suregrip-Pegs-24-Pack/dp/B00F4UE1NI/ref=sr_1_5?ie=UTF8&qid=1503551001&sr=8-5&keywords=Minky+Clothes+pin#customerReviews), site visited Aug. 24, 2017.\*

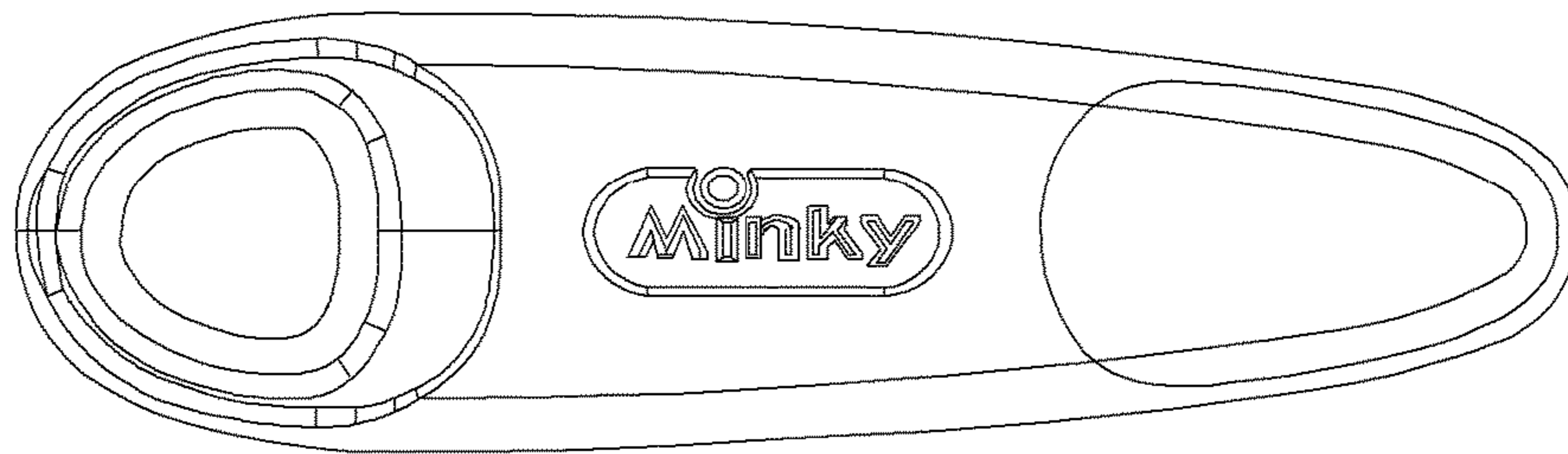
\* cited by examiner



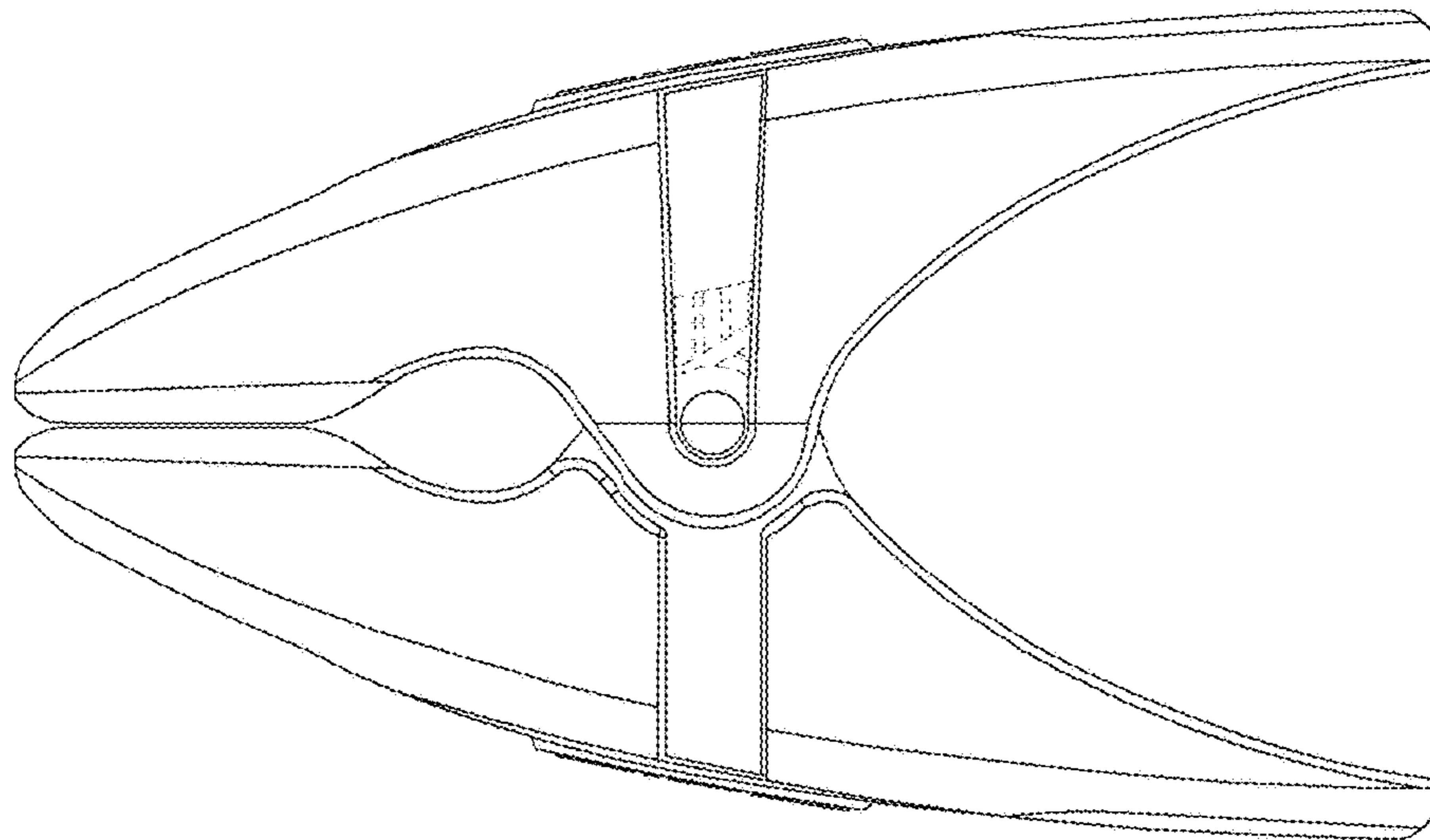
**Fig. 1**



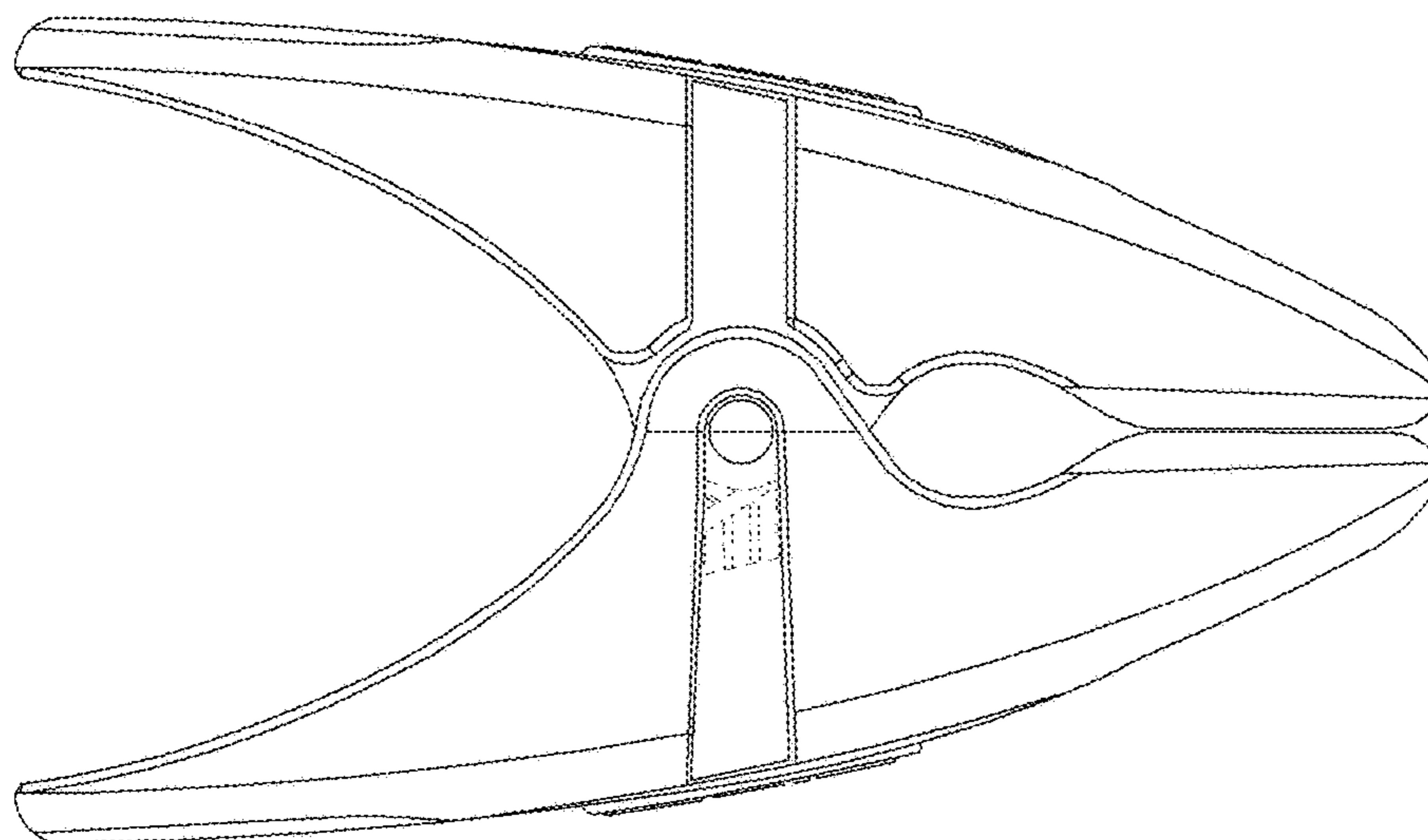
**Fig. 2**



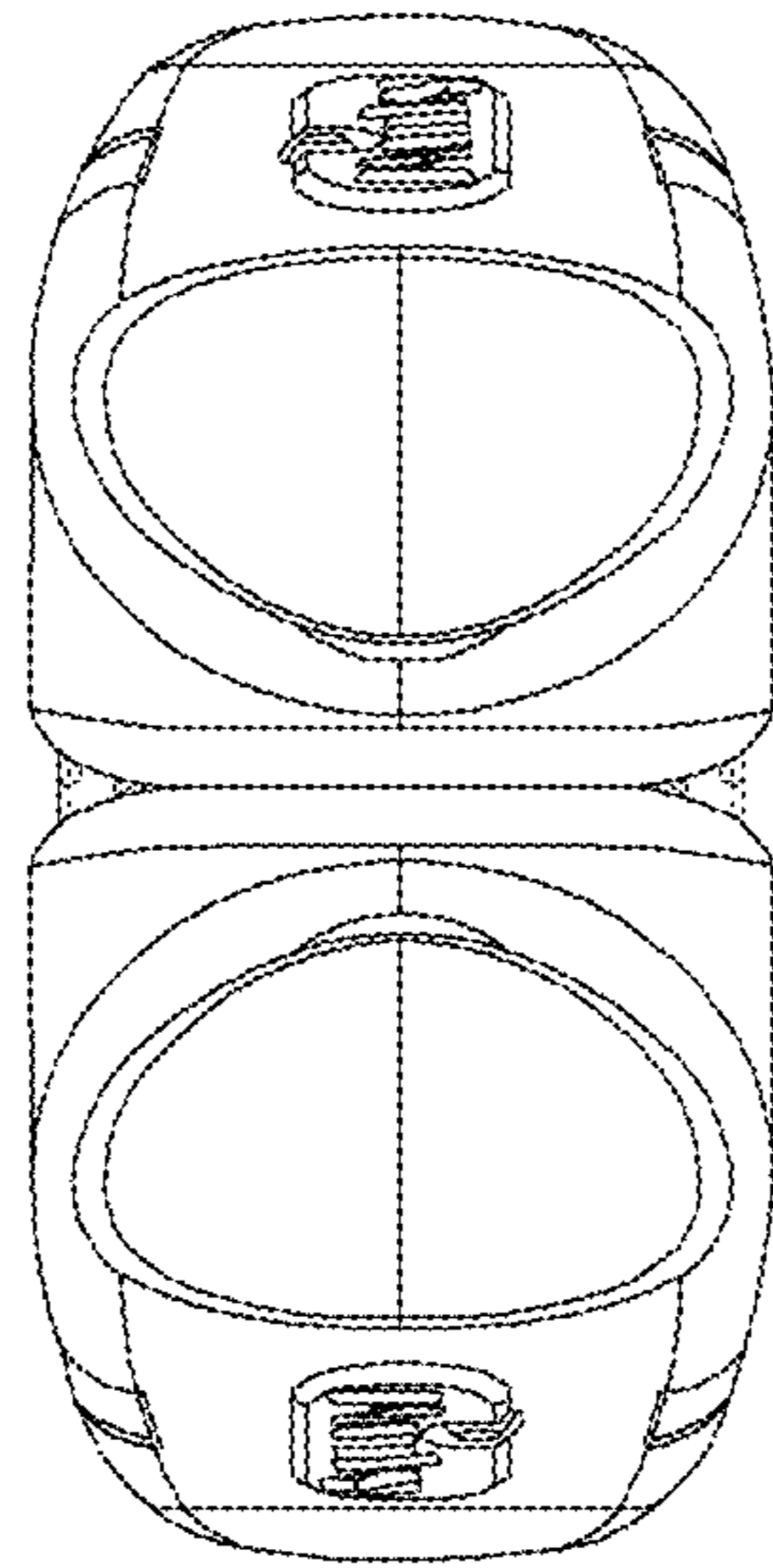
**Fig. 3**



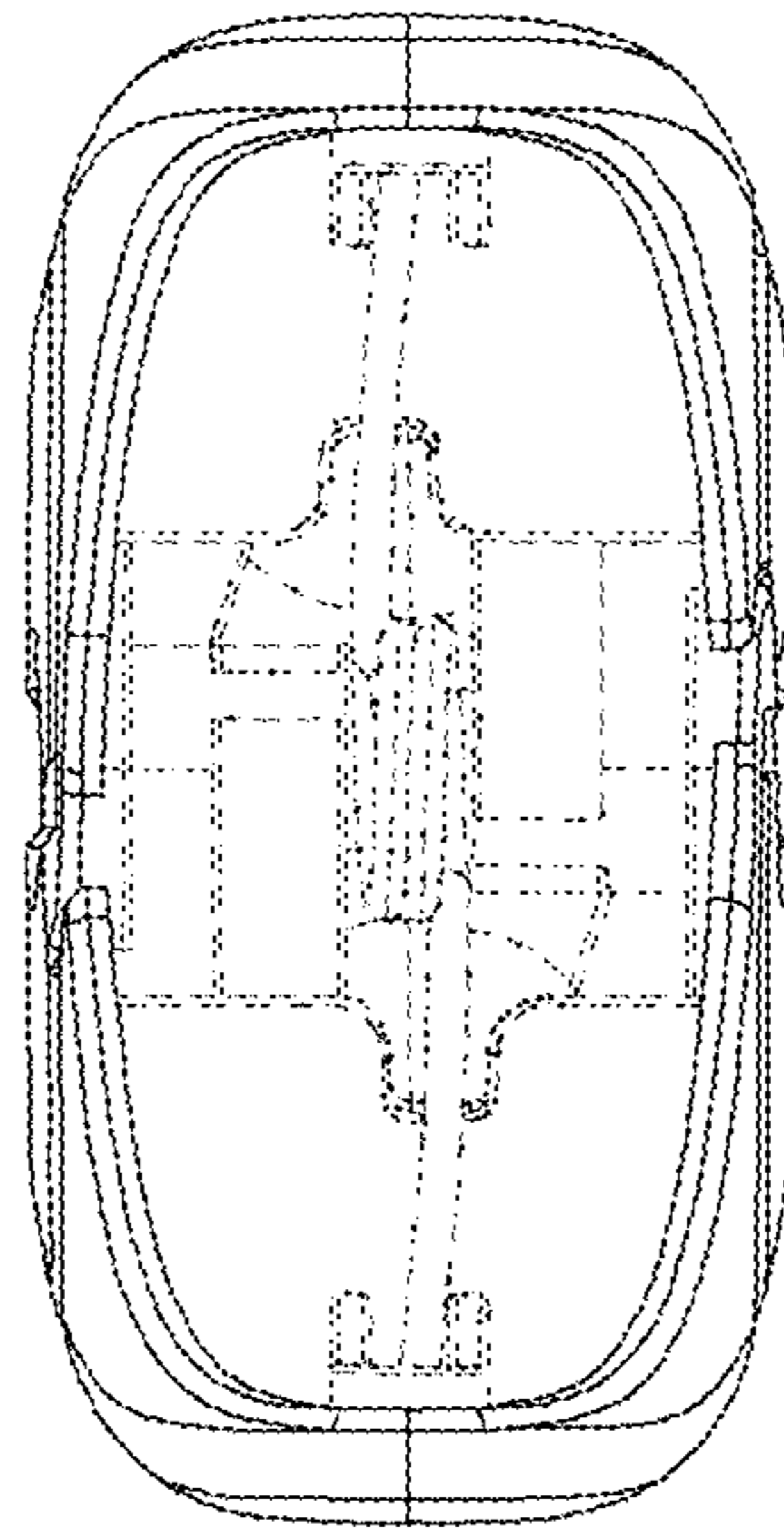
**Fig. 4**



**Fig. 5**



**Fig. 6**



**Fig. 7**