



US00D814282S

(12) **United States Design Patent**
Baiz et al.

(10) **Patent No.:** **US D814,282 S**
(45) **Date of Patent:** **** Apr. 3, 2018**

- (54) **LUG NUT WITH SLEEVE**
- (71) Applicants: **Enrique J. Baiz**, Miami, FL (US);
Oswaldo Izquierdo, Homestead, FL (US)
- (72) Inventors: **Enrique J. Baiz**, Miami, FL (US);
Oswaldo Izquierdo, Homestead, FL (US)
- (**) Term: **15 Years**
- (21) Appl. No.: **29/601,121**
- (22) Filed: **Apr. 19, 2017**

4,764,070	A *	8/1988	Baltzell	F16B 37/14
					411/375
4,813,835	A *	3/1989	Toth	B60B 7/00
					411/429
4,850,776	A *	7/1989	Toth	B23K 11/14
					411/376
5,302,069	A *	4/1994	Toth	B60B 7/00
					411/373
D420,897	S *	2/2000	Fuller	D8/397
6,036,420	A *	3/2000	Somers	F16B 37/14
					411/375
D484,785	S *	1/2004	Plumer	D8/397
D488,715	S *	4/2004	Plumer	D8/397
D510,259	S *	10/2005	Yoshimoto	D8/397
7,252,471	B1 *	8/2007	Manyoky	F16B 37/00
					411/427
8,016,535	B1 *	9/2011	Roberts	F16B 41/005
					411/373
D711,732	S *	8/2014	Schermer	D8/397

(Continued)

Related U.S. Application Data

- (62) Division of application No. 29/574,667, filed on Aug. 17, 2016.
- (51) **LOC (11) Cl.** **08-08**
- (52) **U.S. Cl.**
USPC **D8/387**
- (58) **Field of Classification Search**
USPC D8/382, 387, 388, 391, 393, 397, 399;
D12/202, 213, 223, 400, 207, 208
CPC F16B 37/00; F16B 37/14; F16B 37/145;
F16B 35/04; F16B 35/06; F16B 41/00;
F16B 41/002; F16B 41/005; F16B 23/00;
B60B 23/06; B60B 23/08; B60B 3/16;
B60B 3/165; B60B 27/065; Y10S 411/91;
Y10S 411/914; Y10S 411/915; Y10T
70/5867
See application file for complete search history.

Primary Examiner — Sandra S Snapp
Assistant Examiner — Ieisha N Price
 (74) *Attorney, Agent, or Firm* — Quickpatents, LLC;
 Kevin Prince

(57) **CLAIM**

We claim the ornamental design for a lug nut with sleeve, as shown and described.

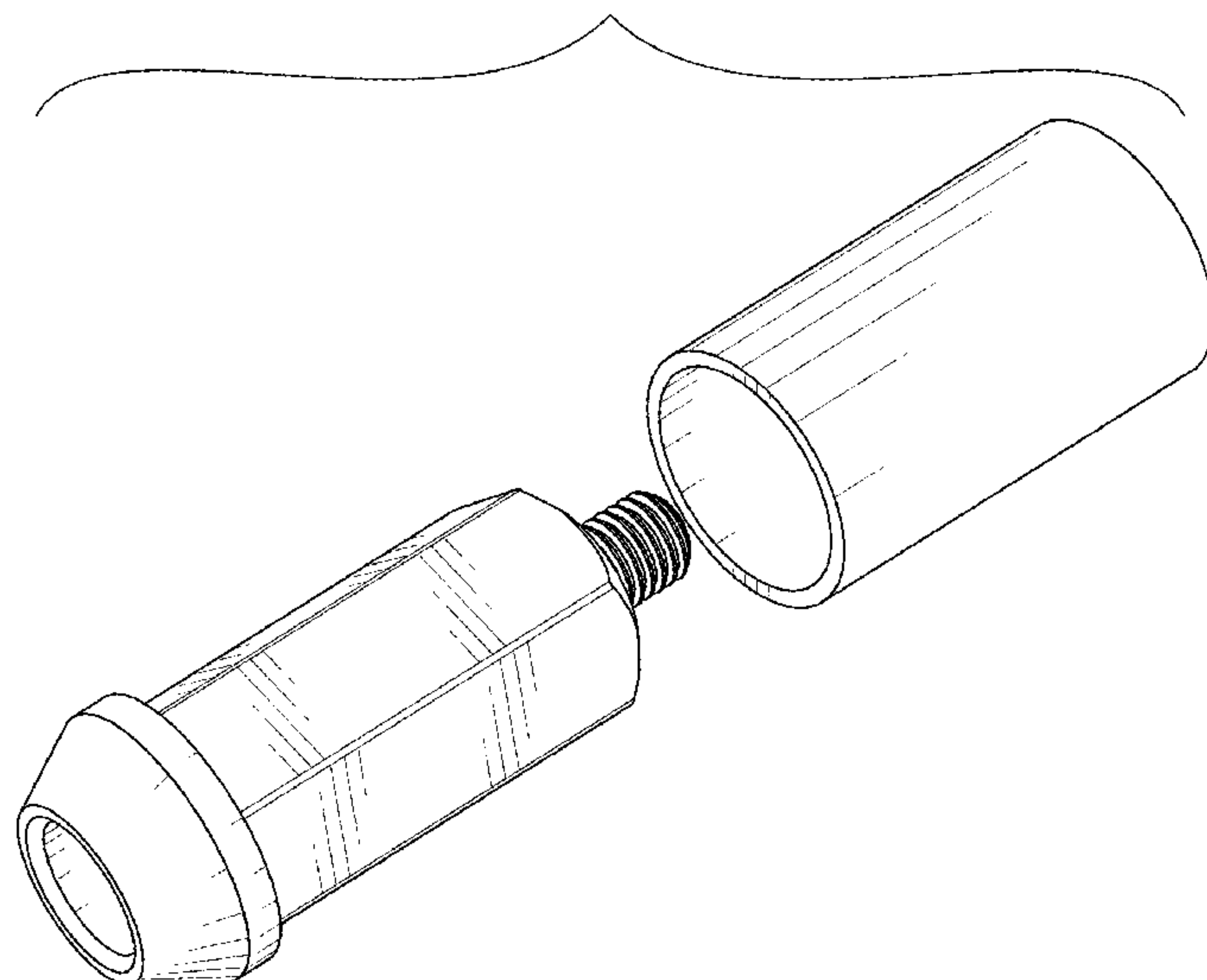
DESCRIPTION

FIG. 1 is a perspective view of a lug nut with sleeve, showing our new design;
 FIG. 2 is an exploded perspective view thereof;
 FIG. 3 is a front elevational view thereof;
 FIG. 4 is a rear elevational view thereof;
 FIG. 5 is a left-side elevational view thereof;
 FIG. 6 is a right-side elevational view thereof;
 FIG. 7 is a top plan view thereof;
 FIG. 8 is a bottom plan view thereof; and,
 FIG. 9 is a cross-sectional view thereof, taken along line 9-9 of FIG. 7.

(56) **References Cited**
U.S. PATENT DOCUMENTS

- 2,867,143 A * 1/1959 Appleton H01R 4/58
29/751
- D268,565 S * 4/1983 Mortus D8/397

1 Claim, 5 Drawing Sheets



(56)

References Cited

U.S. PATENT DOCUMENTS

D727,720	S	*	4/2015	Schermer	D8/397
D746,129	S	*	12/2015	Kishida	D8/399
D780,562	S	*	3/2017	Baiz	D8/387
D781,691	S	*	3/2017	Baiz	D8/387
D786,056	S	*	5/2017	Baiz	D8/387
D792,202	S	*	7/2017	Baiz	D8/387
D796,310	S	*	9/2017	Baiz	D8/397
2003/0165371	A1	*	9/2003	Notaro	F16B 23/0007 411/402
2004/0126202	A1	*	7/2004	Somers	F16B 37/14 411/429
2004/0208723	A1	*	10/2004	Stawarski	F16B 37/14 411/349
2013/0071204	A1	*	3/2013	Hunter	F16B 37/14 411/373

* cited by examiner

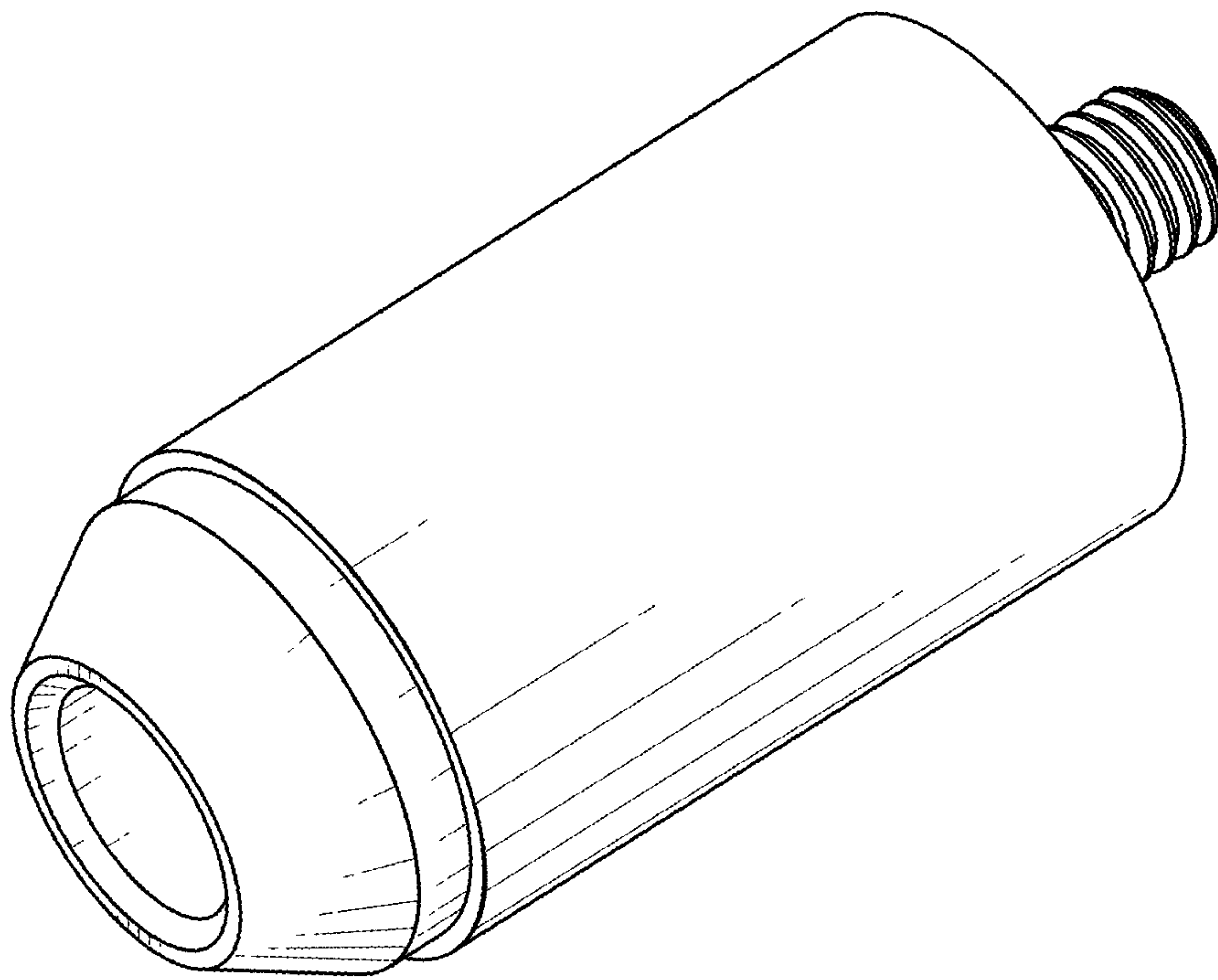


FIG. 1

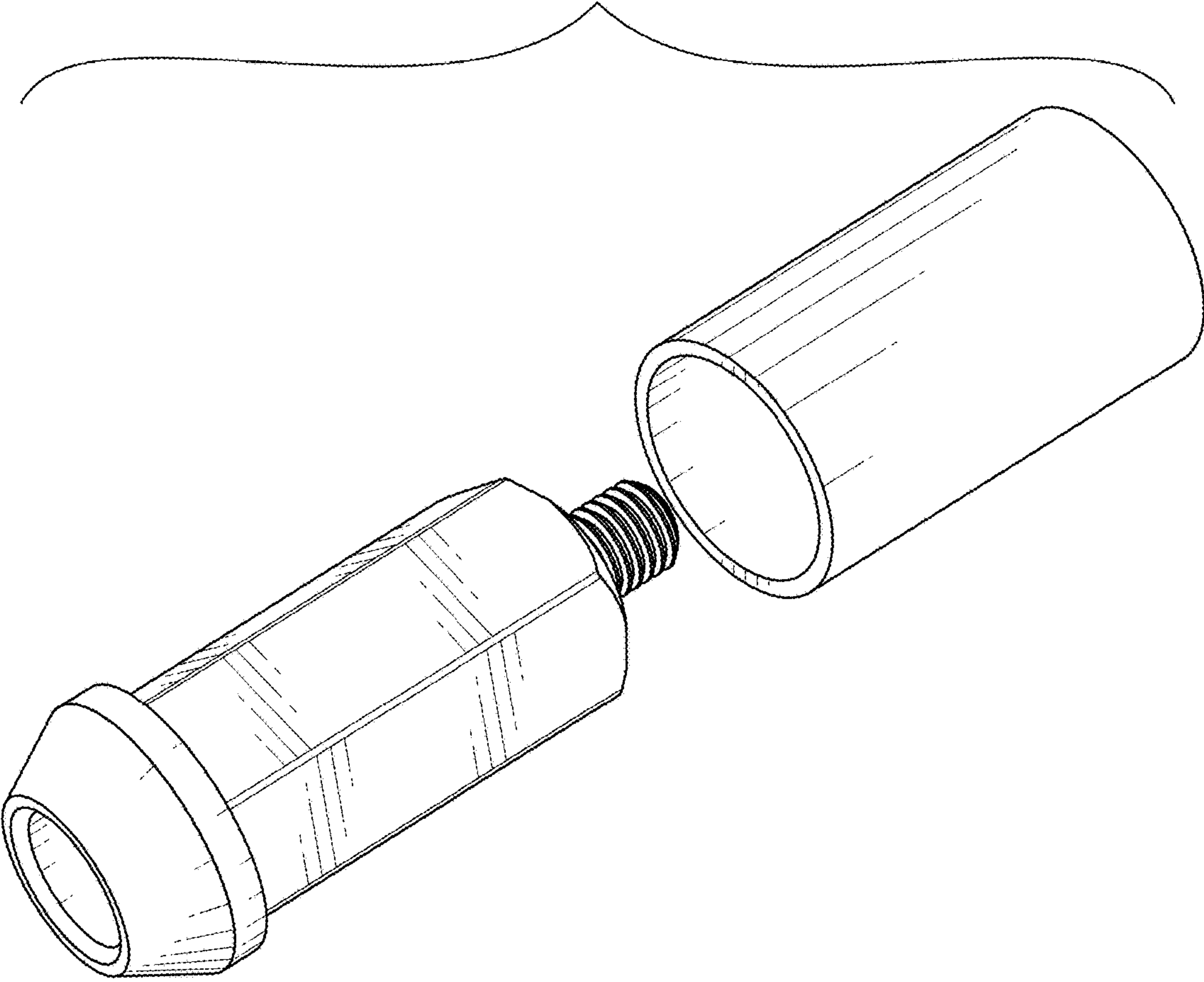


FIG. 2

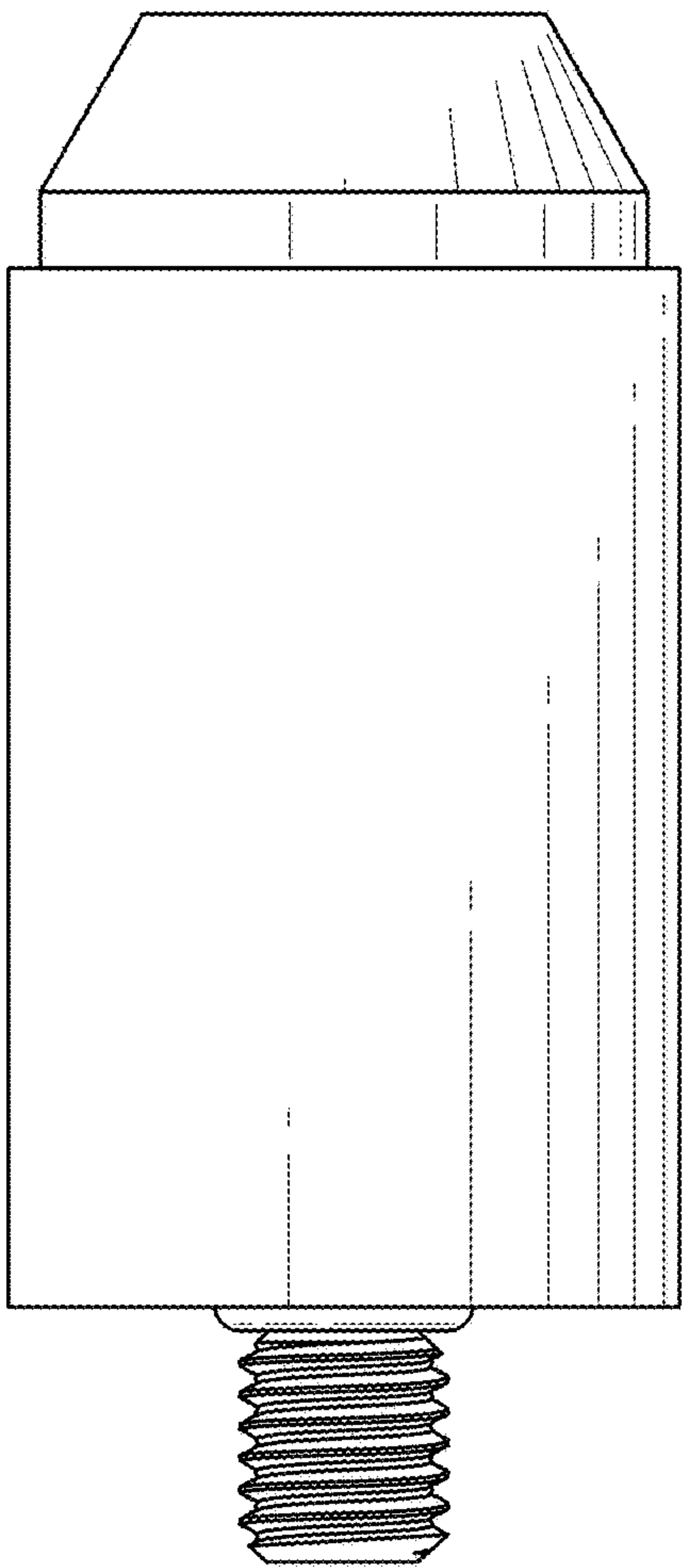


FIG. 3

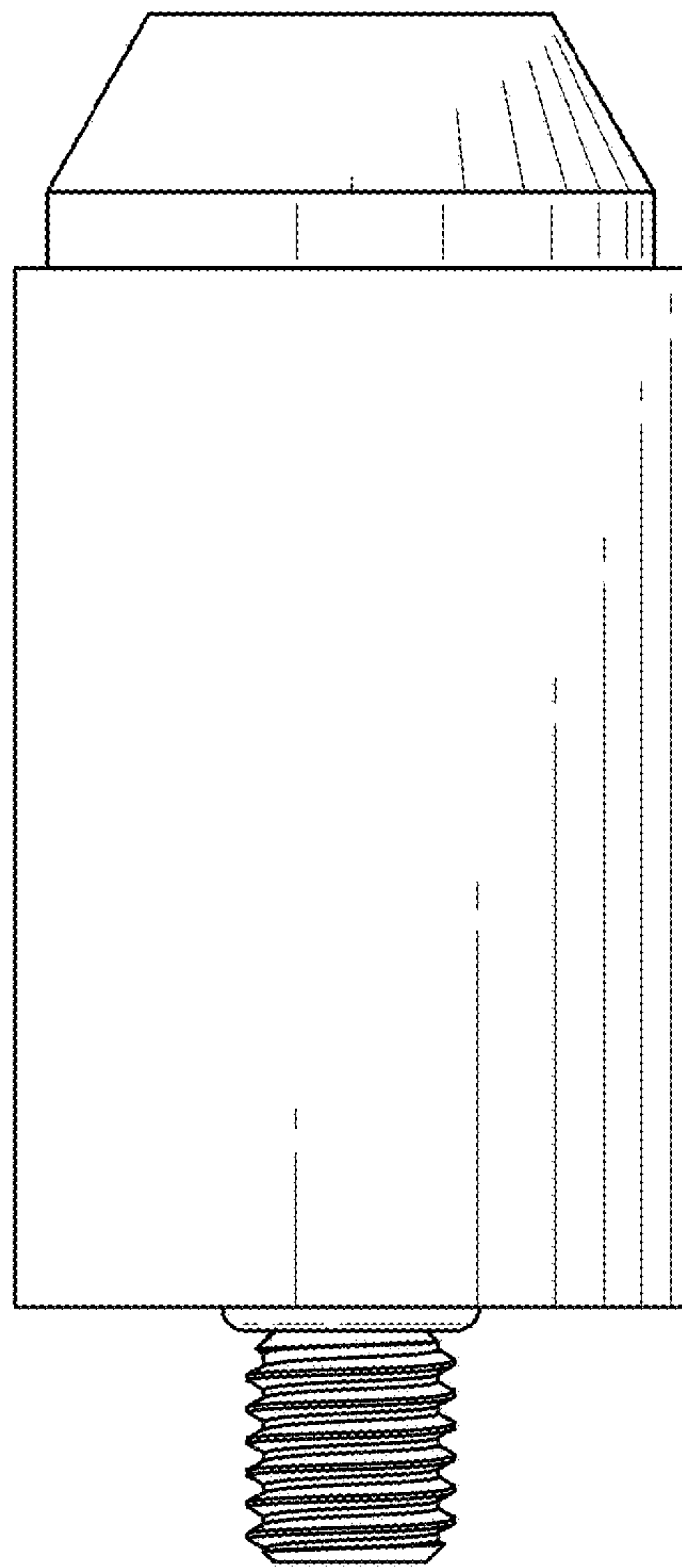


FIG. 4

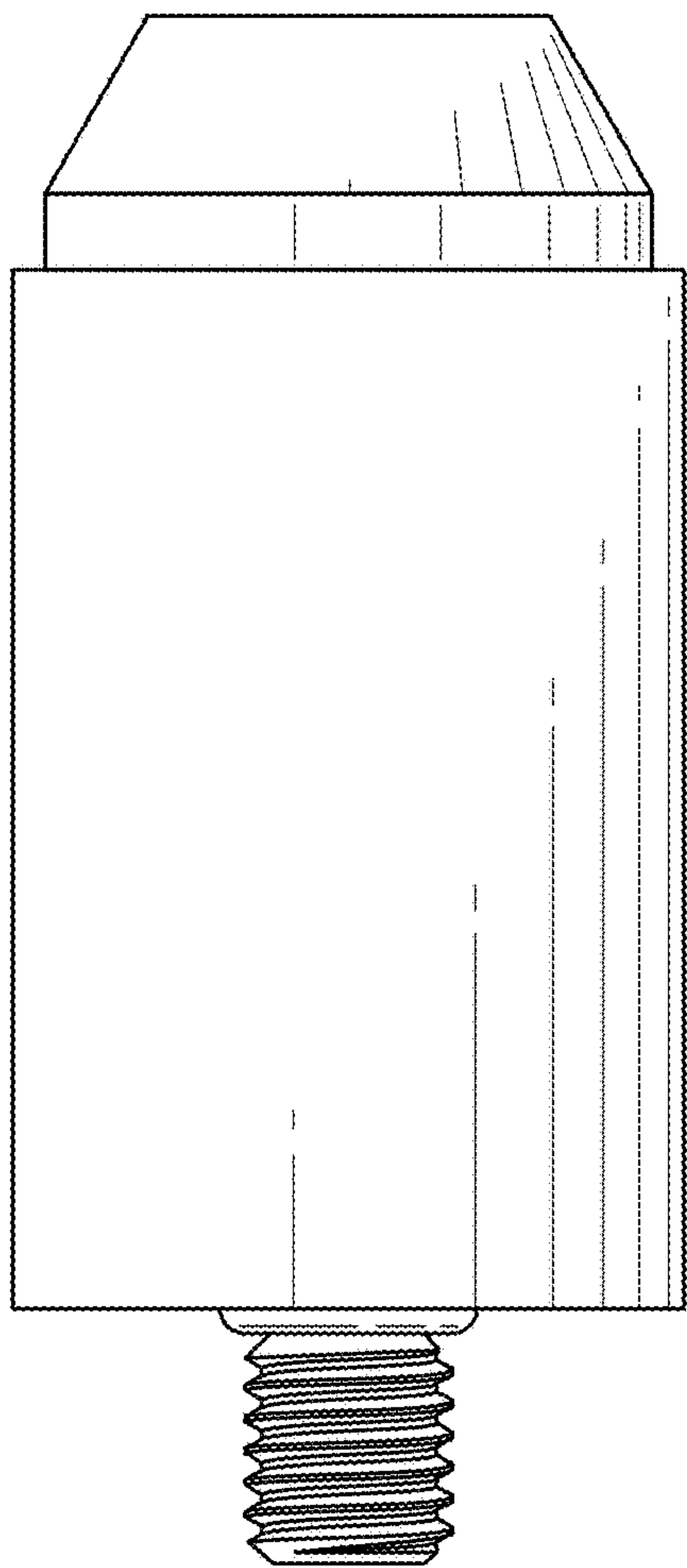


FIG. 5

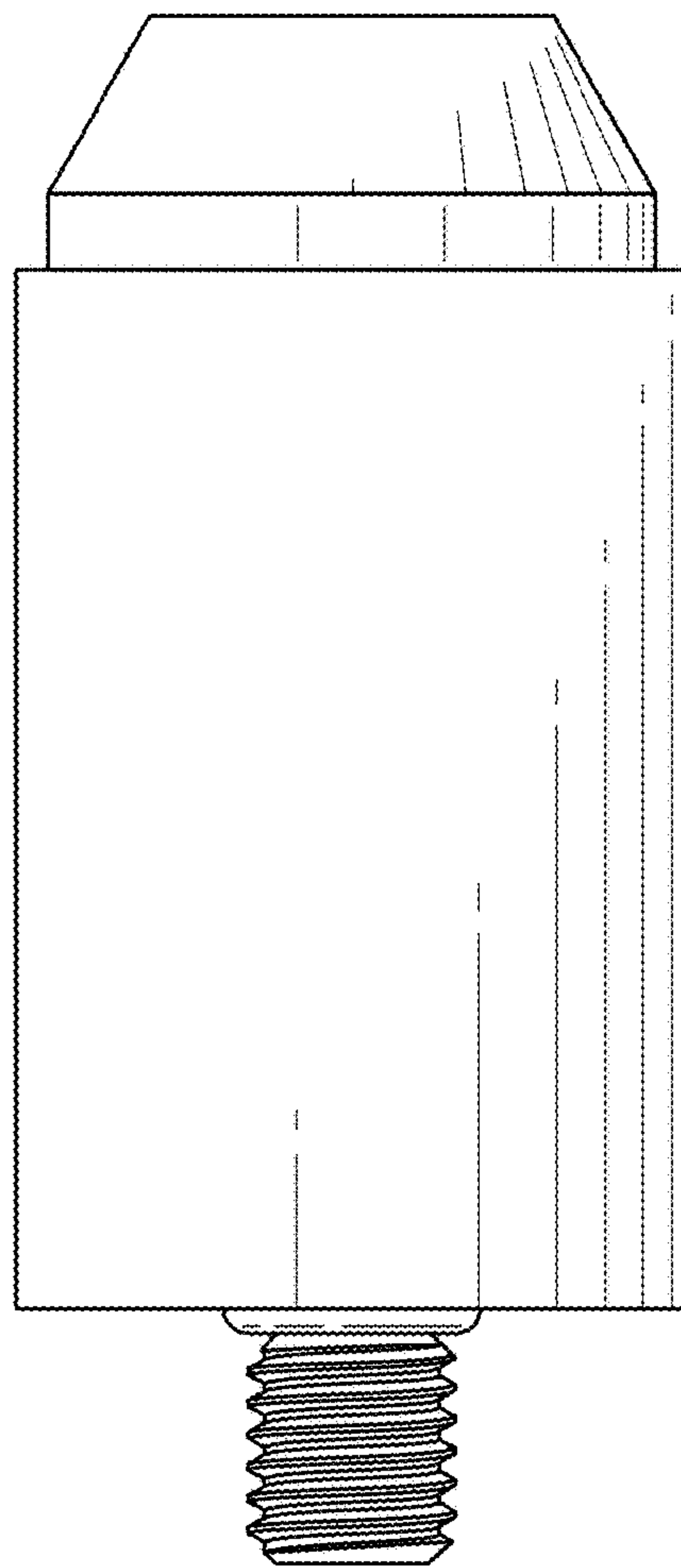


FIG. 6

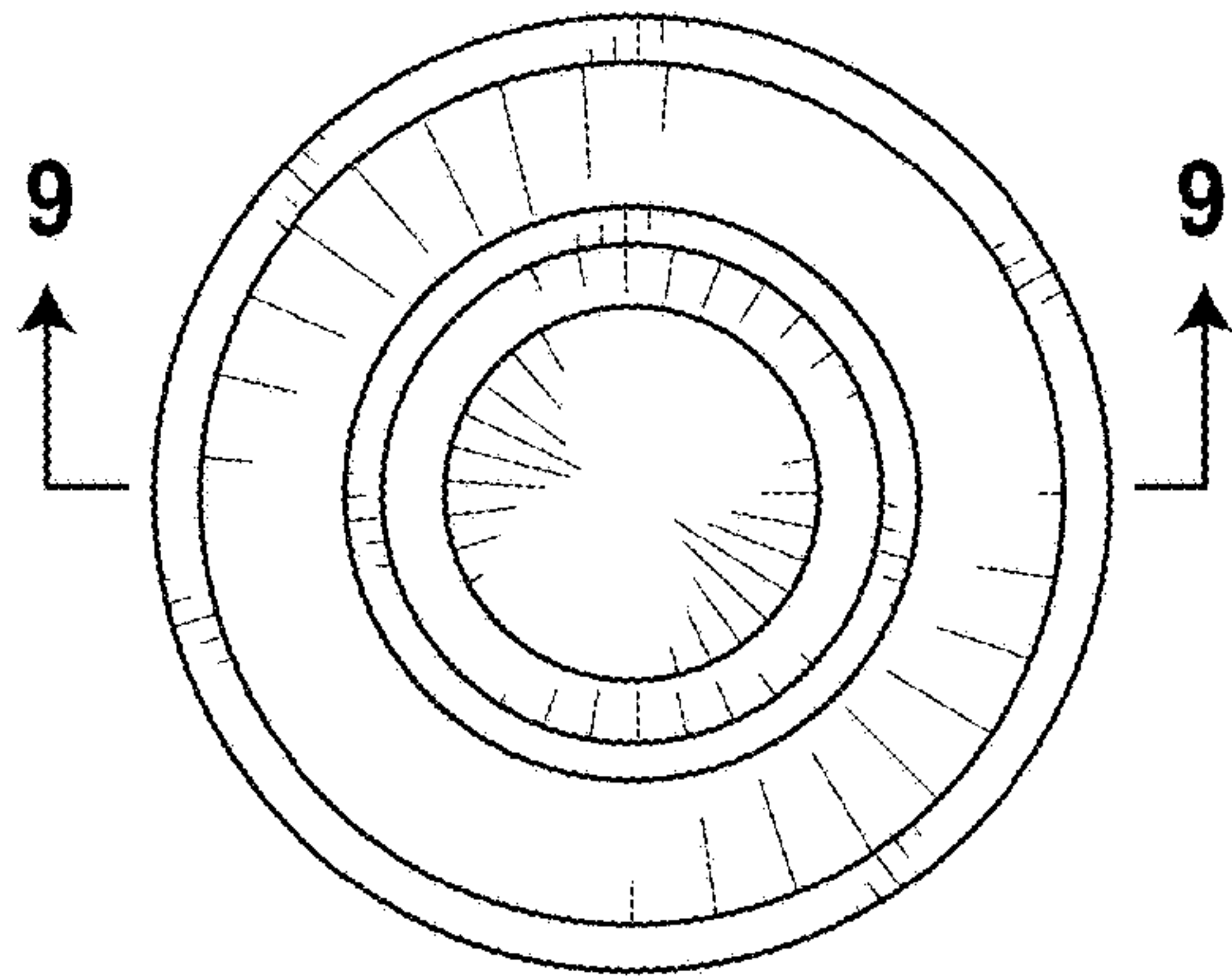


FIG. 7

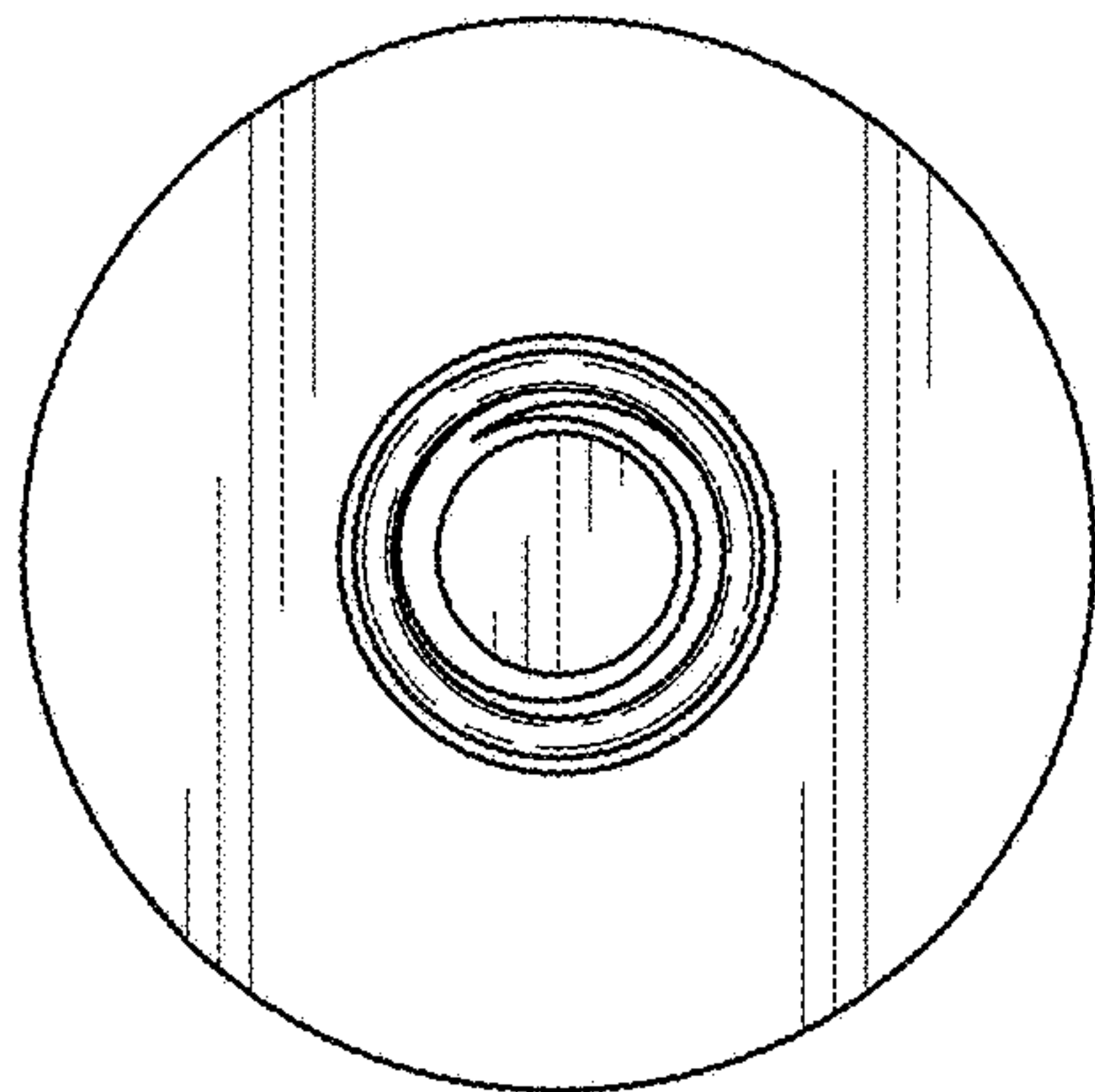


FIG. 8

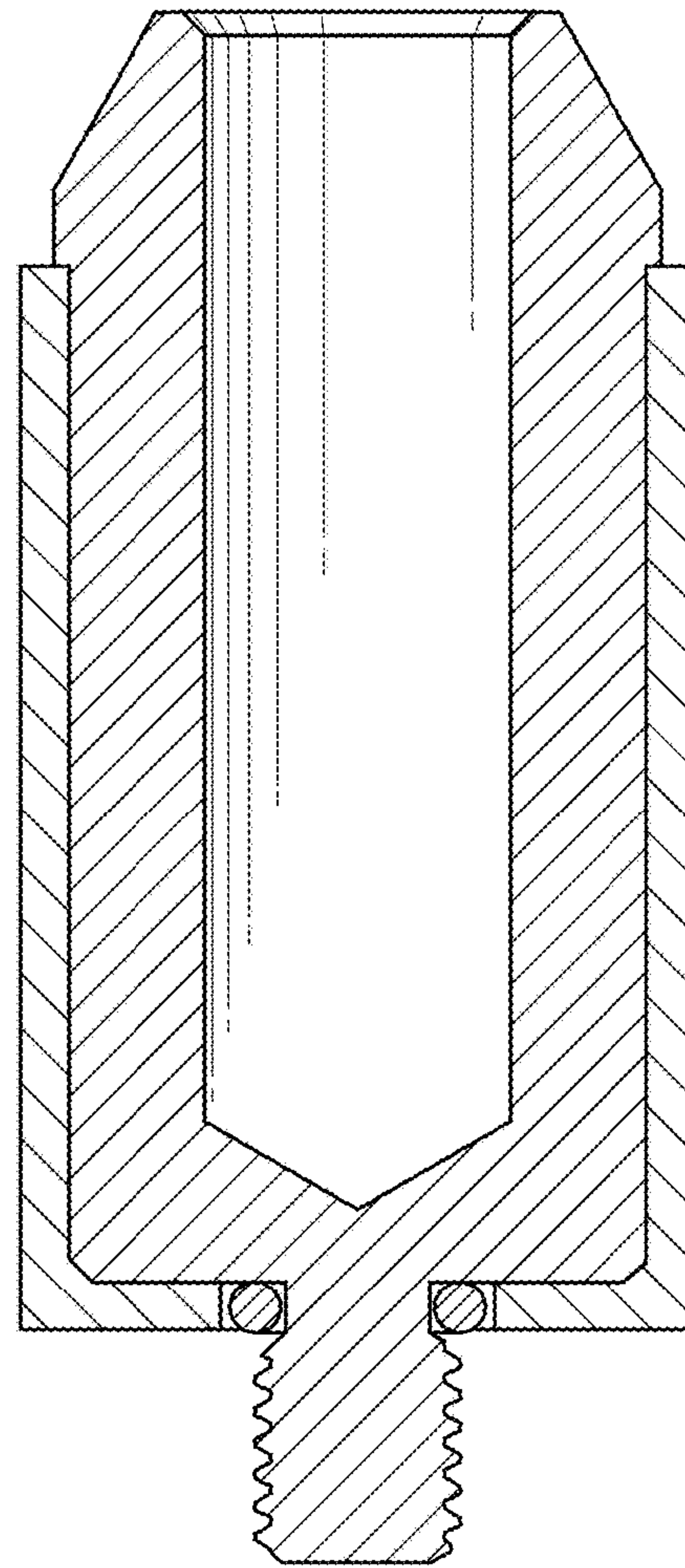


FIG. 9