



US00D814281S

(12) **United States Design Patent** (10) **Patent No.:** **US D814,281 S**  
**Kanter** (45) **Date of Patent:** **\*\* Apr. 3, 2018**

(54) **STABILIZATION DEVICE**  
(71) Applicant: **HumanCentric Ventures LLC**, Skokie, IL (US)  
(72) Inventor: **Simcha Kanter**, Chicago, IL (US)  
(73) Assignee: **HUMANCENTRIC VENTURES LLC**, Skokie, IL (US)  
(\*\*) Term: **15 Years**  
(21) Appl. No.: **29/587,010**  
(22) Filed: **Dec. 8, 2016**  
(51) **LOC (11) Cl.** ..... **08-08**  
(52) **U.S. Cl.**  
USPC ..... **D8/387; D8/375**  
(58) **Field of Classification Search**  
USPC ..... D8/349, 354, 355, 374, 375, 382, 387, D8/396, 399, 373, 366, 499; D6/709.18, D6/710; D14/432, 433  
CPC ..... Y10T 16/18; Y10T 292/1099; Y10T 292/218; Y10T 292/221; Y10T 403/4691; Y10T 403/56; A47B 91/022; A47B 91/026; B60B 33/0007; F16B 5/02; F16M 13/02; F16M 13/022  
See application file for complete search history.

(56) **References Cited**  
U.S. PATENT DOCUMENTS  
1,647,992 A \* 11/1927 Hartman ..... A47B 91/024 248/188.4  
3,104,493 A \* 9/1963 Nalle ..... A47B 91/028 248/188.4  
3,288,418 A \* 11/1966 Hinrichs ..... E04B 2/824 52/632  
D363,657 S \* 10/1995 Kassardjian ..... D8/354  
D376,713 S \* 12/1996 Kelso ..... D6/709.18  
D617,627 S \* 6/2010 Tawil ..... D8/349

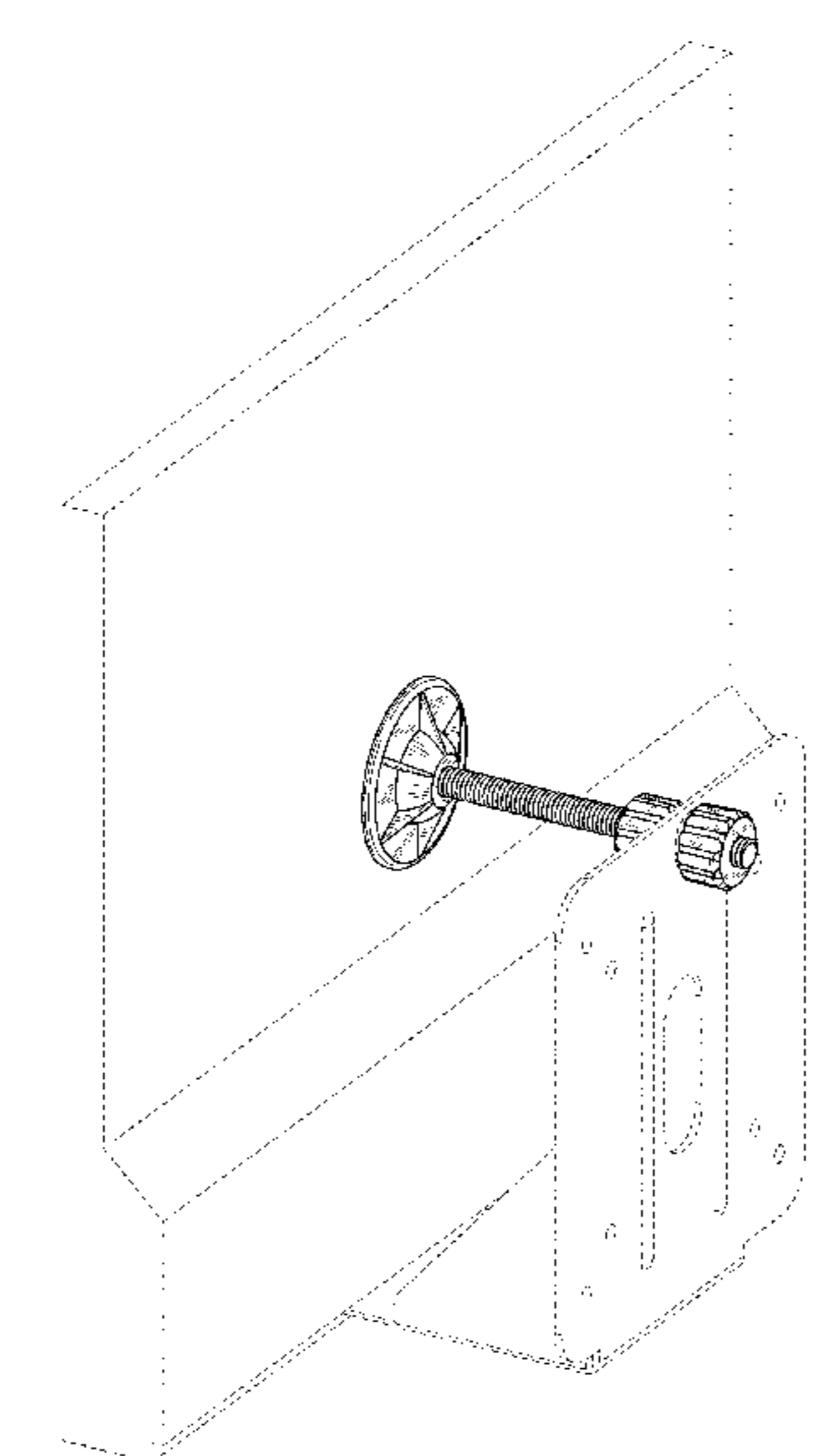
D634,168 S \* 3/2011 Ghatikar ..... D8/10  
8,262,038 B1 \* 9/2012 Hallet ..... A47B 91/022 248/188.2  
2002/0174512 A1 \* 11/2002 Sorensen ..... B60B 33/0002 16/18 R  
2004/0031902 A1 \* 2/2004 Davis, Jr. .... F16M 7/00 248/519  
2007/0277350 A1 \* 12/2007 Hines ..... B60B 33/0007 16/35 R  
2016/0169442 A1 \* 6/2016 Storjohann ..... F16M 11/24 248/125.2  
2017/0146180 A1 \* 5/2017 Lillienkjold ..... F16M 7/00  
2017/0224112 A1 \* 8/2017 Devereux ..... A47B 91/024  
\* cited by examiner

*Primary Examiner* — Sandra S Snapp  
*Assistant Examiner* — Ieisha N Price  
(74) *Attorney, Agent, or Firm* — DLA Piper LLP (US); Jennifer Lacroix

(57) **CLAIM**  
The ornamental design for a stabilization device, as shown and described.

**DESCRIPTION**  
FIG. 1 is a perspective view of the stabilization device. FIG. 2 is a left elevational view of the stabilization device. FIG. 3 is a right elevational view of the stabilization device. FIG. 4 is a back view of the stabilization device. FIG. 5 is a front view of the stabilization device. FIG. 6 is a top view of the stabilization device. FIG. 7 is a bottom view of the stabilization device. FIG. 8 is a perspective view of the stabilization device in combination with a monitor mounting bracket; and, FIG. 9 is a perspective view of the stabilization device in combination with a monitor mounting bracket and a monitor. The features shown in broken lines in the Figures form no part of the claimed design.

**1 Claim, 4 Drawing Sheets**



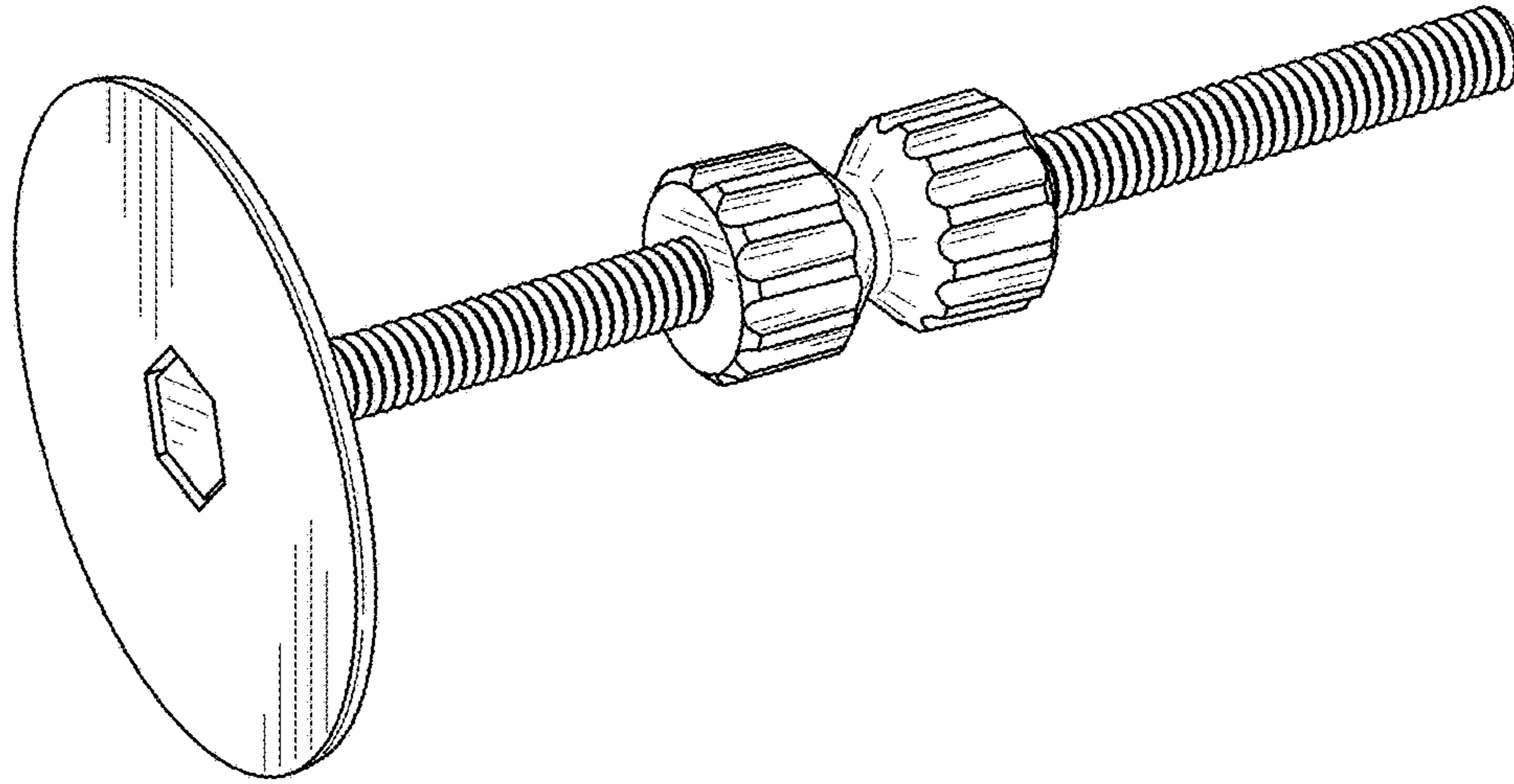


FIG. 1

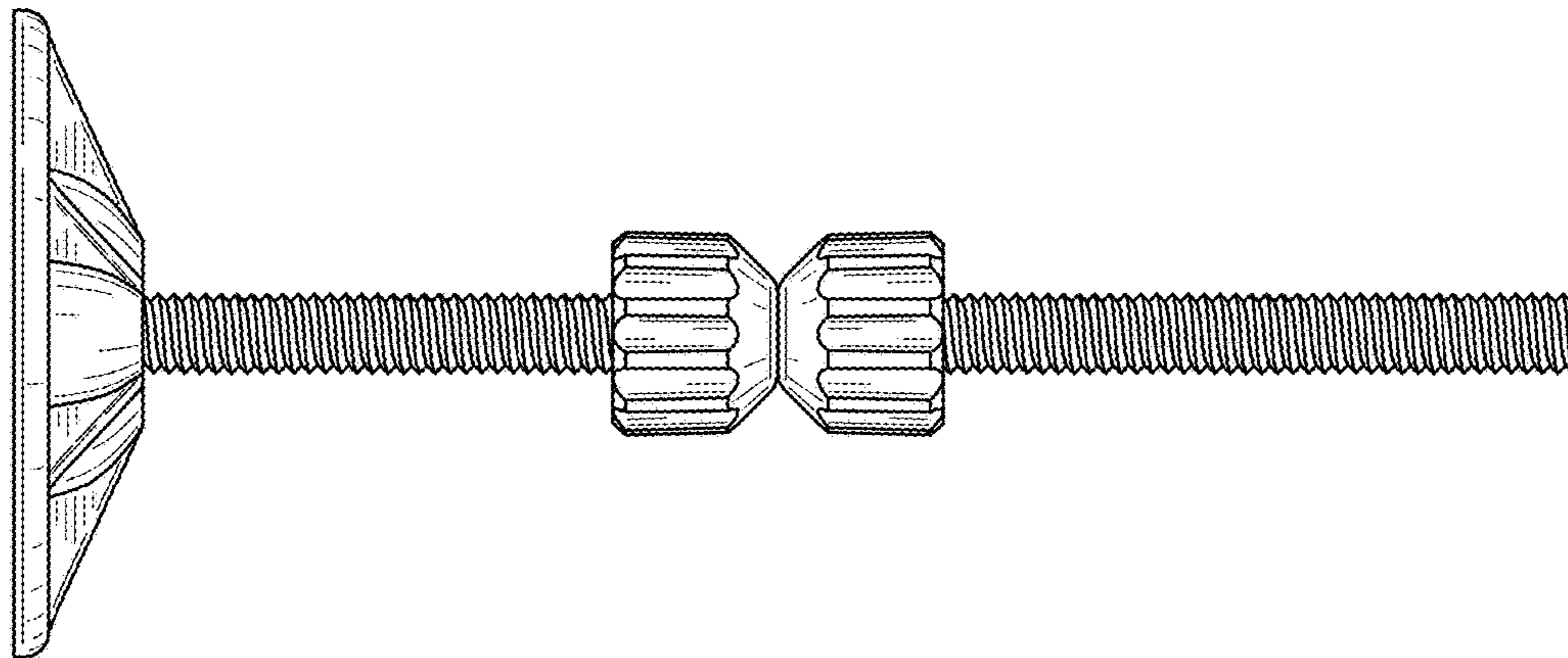


FIG. 2

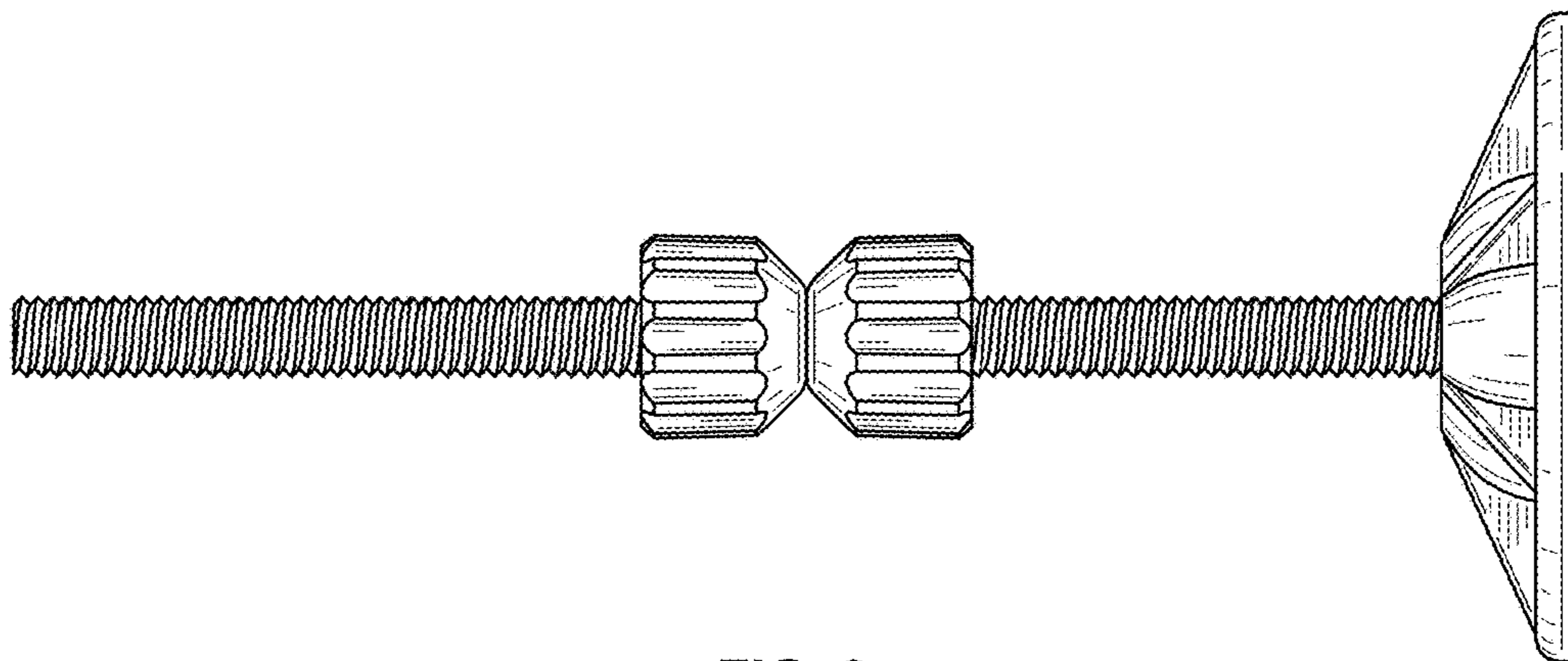


FIG. 3

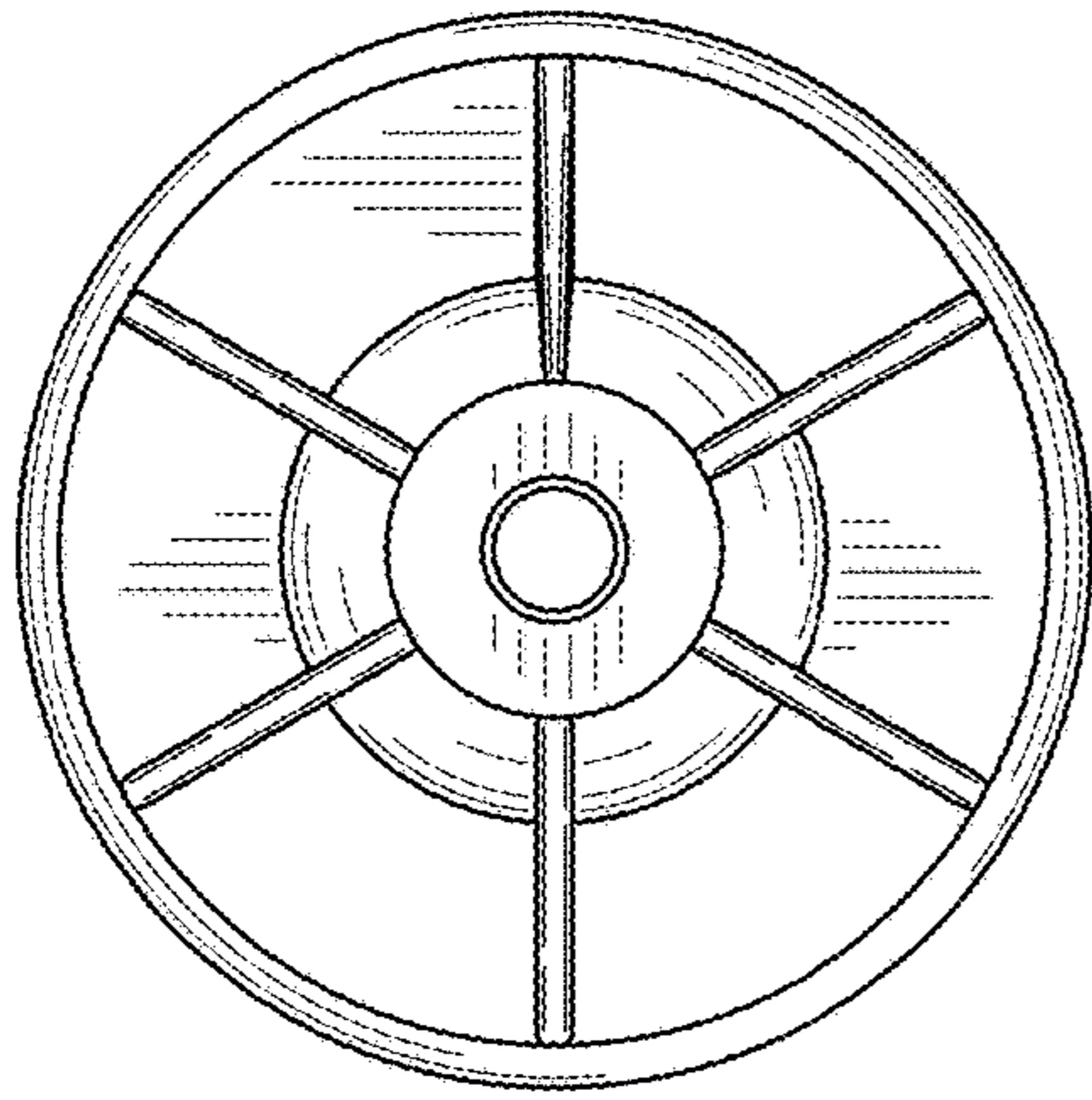


FIG. 4

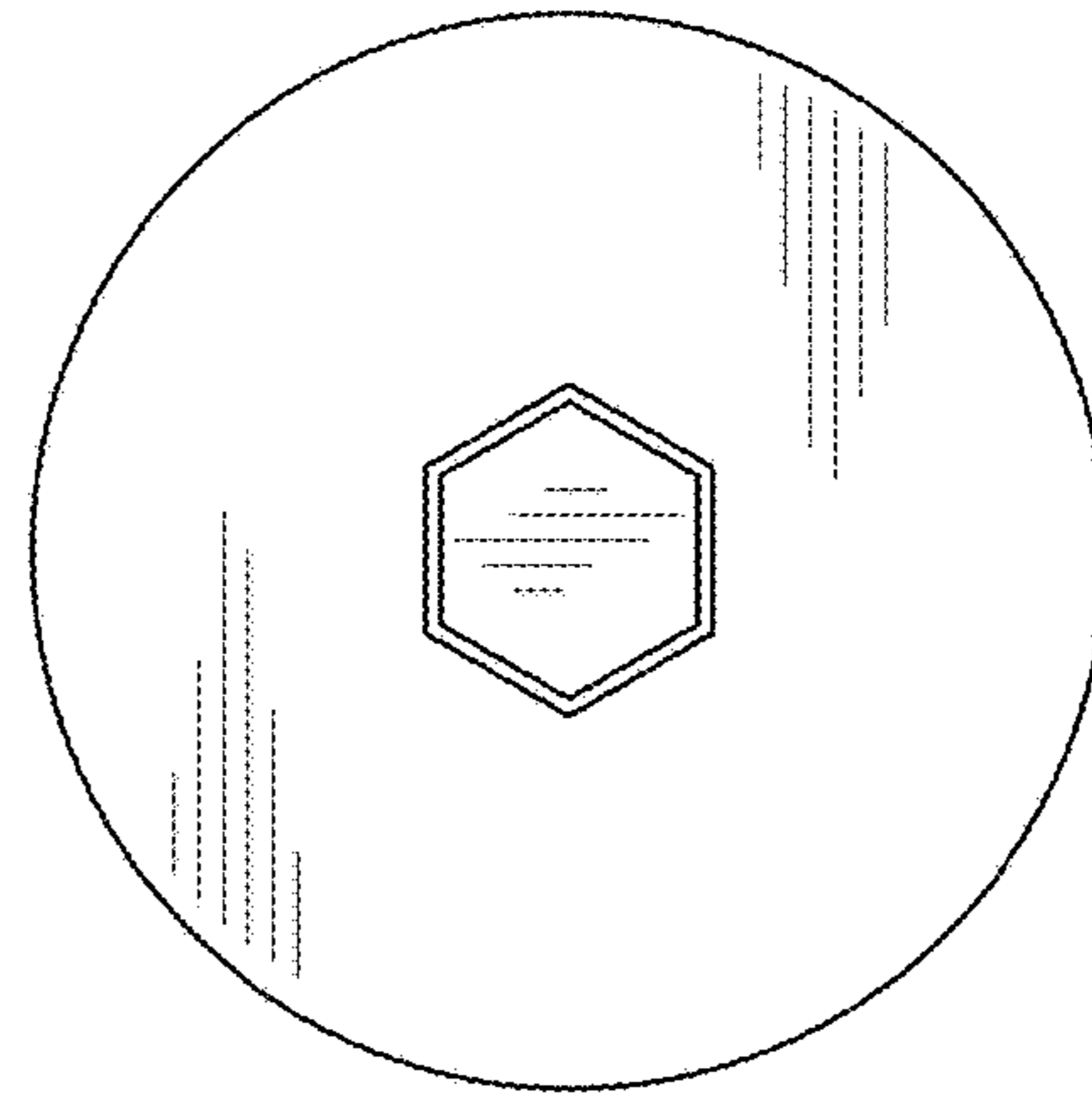


FIG. 5

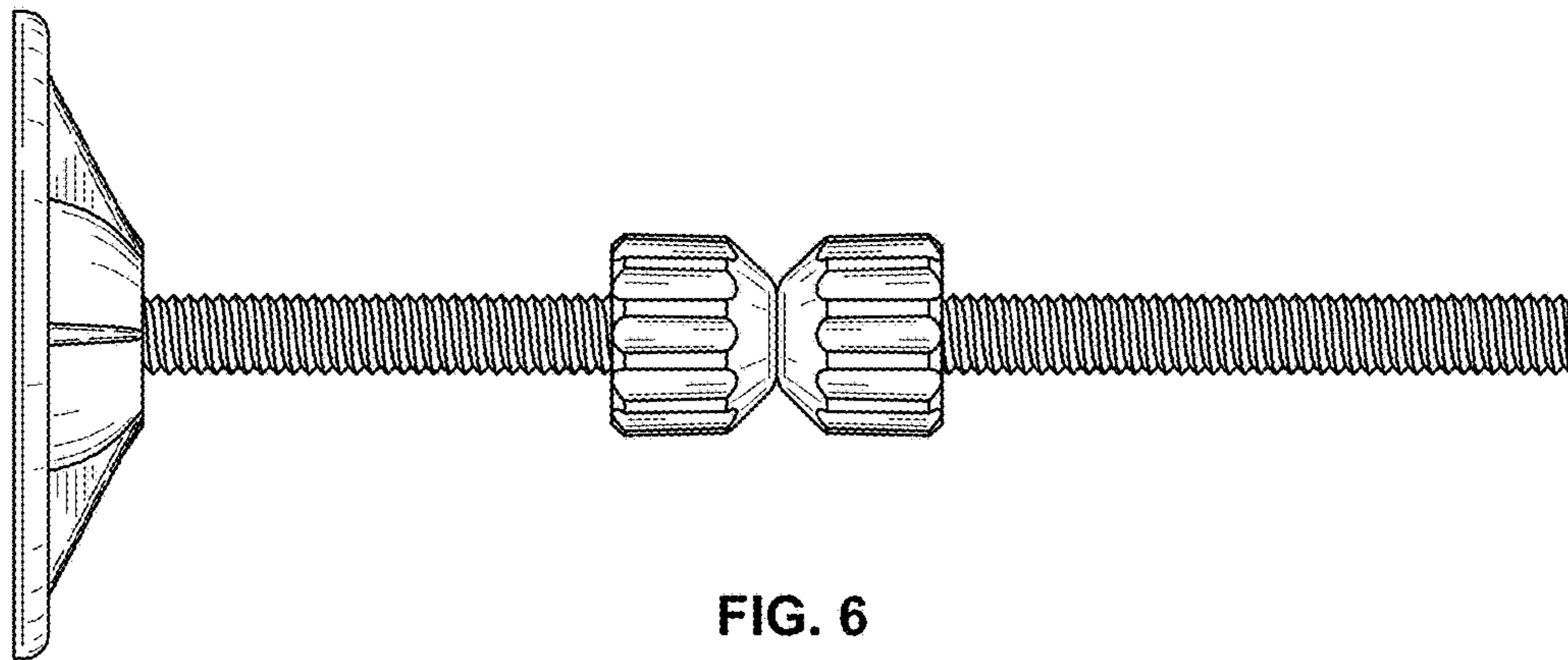


FIG. 6

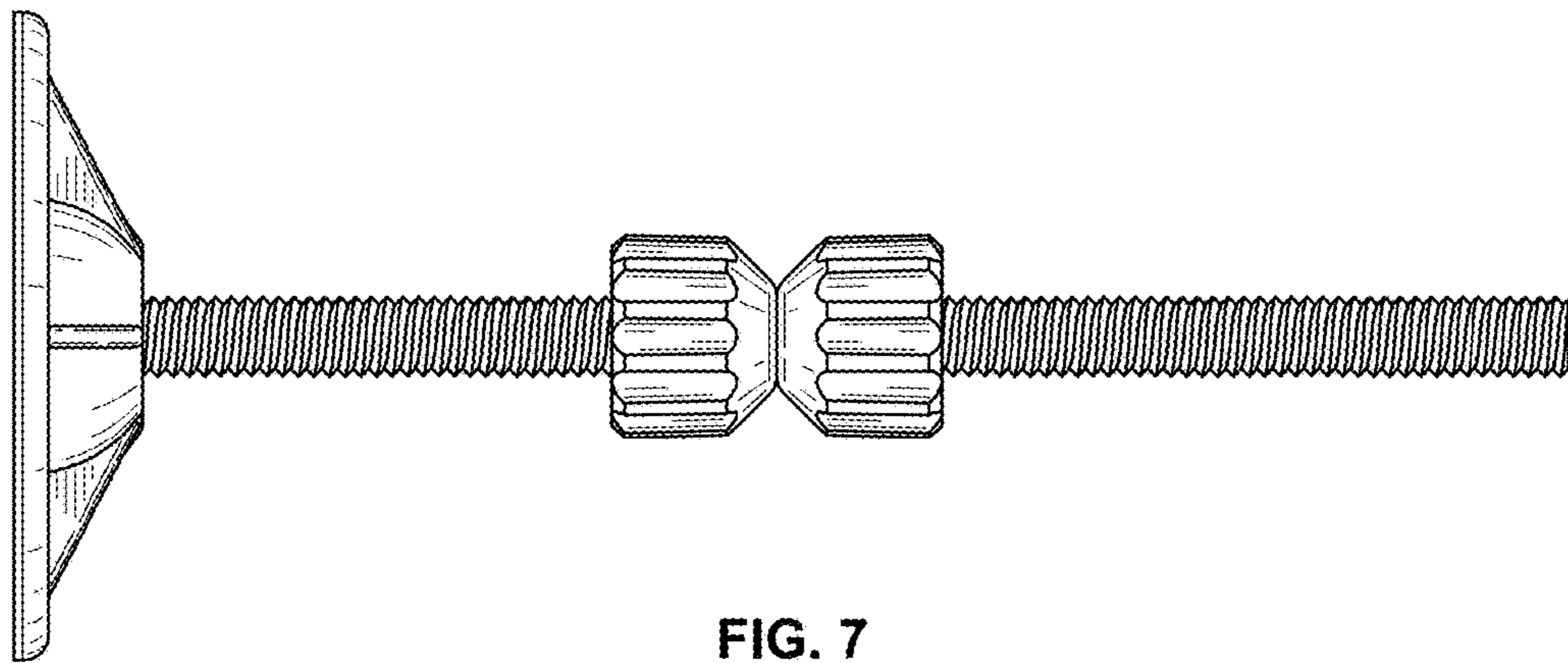


FIG. 7



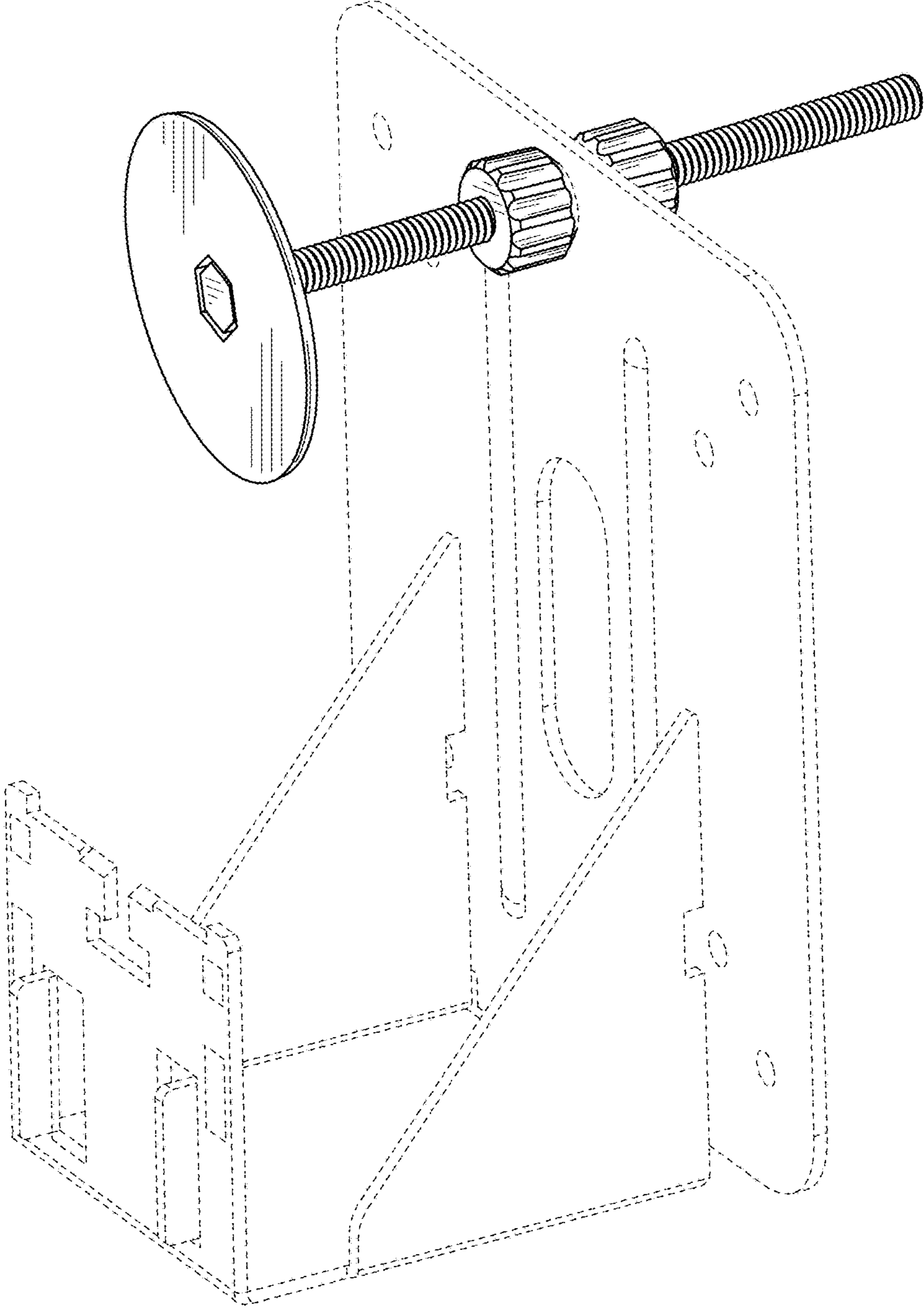


FIG. 8

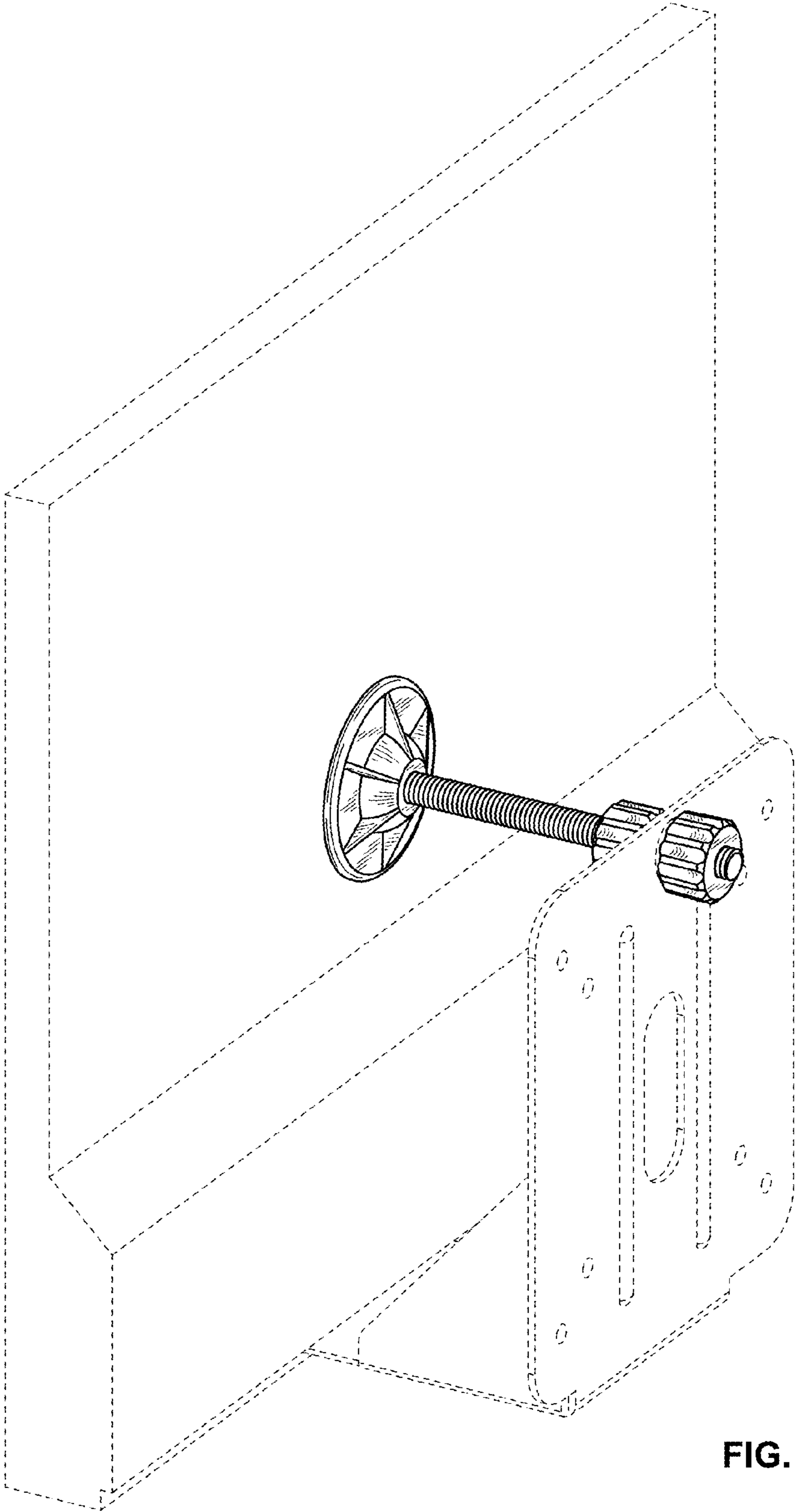


FIG. 9