



US00D814280S

(12) **United States Design Patent**
Tarbell et al.

(10) **Patent No.:** **US D814,280 S**

(45) **Date of Patent:** **** Apr. 3, 2018**

- (54) **FASTENER**
- (71) Applicant: **GENERAL ELECTRIC COMPANY**,
Schenectady, NY (US)
- (72) Inventors: **Gregory Lynn Tarbell**, Erie, PA (US);
Steven Owens, Erie, PA (US); **Dennis Richter**,
Erie, PA (US); **Gregory Hecker**, Erie, PA (US)
- (73) Assignee: **General Electric Company**,
Schenectady, NY (US)

- 4,258,607 A * 3/1981 McKewan F16B 25/0021
411/2
- 4,867,625 A * 9/1989 Dixon F16B 19/05
29/437
- 4,877,364 A * 10/1989 Sorrentino F16B 5/0275
403/408.1
- 4,995,777 A * 2/1991 Warmington F16B 19/05
411/361
- 5,090,852 A * 2/1992 Dixon F16B 19/05
411/361
- D336,844 S * 6/1993 Hozapfel D8/387
- 6,125,526 A * 10/2000 Wierzchon F16B 5/0275
29/525.02

(Continued)

(**) Term: **15 Years**

Primary Examiner — Sandra S Snapp

Assistant Examiner — Ieisha N Price

(21) Appl. No.: **29/579,045**

(74) *Attorney, Agent, or Firm* — GE Global Patent
Operation; John A. Kramer

(22) Filed: **Sep. 27, 2016**

(51) **LOC (11) Cl.** **08-08**

(52) **U.S. Cl.**

USPC **D8/387**

(58) **Field of Classification Search**

USPC D8/382, 387, 388, 391, 393, 397, 399

CPC F16B 33/02; F16B 33/00; F16B 33/002;

F16B 33/006; F16B 2033/025; F16B

5/0275; F16B 35/00

See application file for complete search history.

(56) **References Cited**

U.S. PATENT DOCUMENTS

- 2,407,586 A * 9/1946 Summers F16B 31/04
411/107
- 2,531,048 A * 11/1950 Huck B21J 15/022
29/520
- 3,398,625 A * 8/1968 Ansingh B21H 3/027
411/416
- 3,455,587 A * 7/1969 Gallois F16B 33/02
403/408.1
- 3,822,952 A * 7/1974 Johansson E21B 17/0426
403/307
- 4,018,132 A * 4/1977 Abe F16B 5/0275
411/413

(57) **CLAIM**

The ornamental design for a fastener, as shown and described.

DESCRIPTION

FIG. 1 is a perspective view of a fastener depicting an embodiment of a new design;

FIG. 2 is a top view thereof;

FIG. 3 is a bottom view thereof;

FIG. 4 is a first side view thereof;

FIG. 5 is a second side view thereof; and,

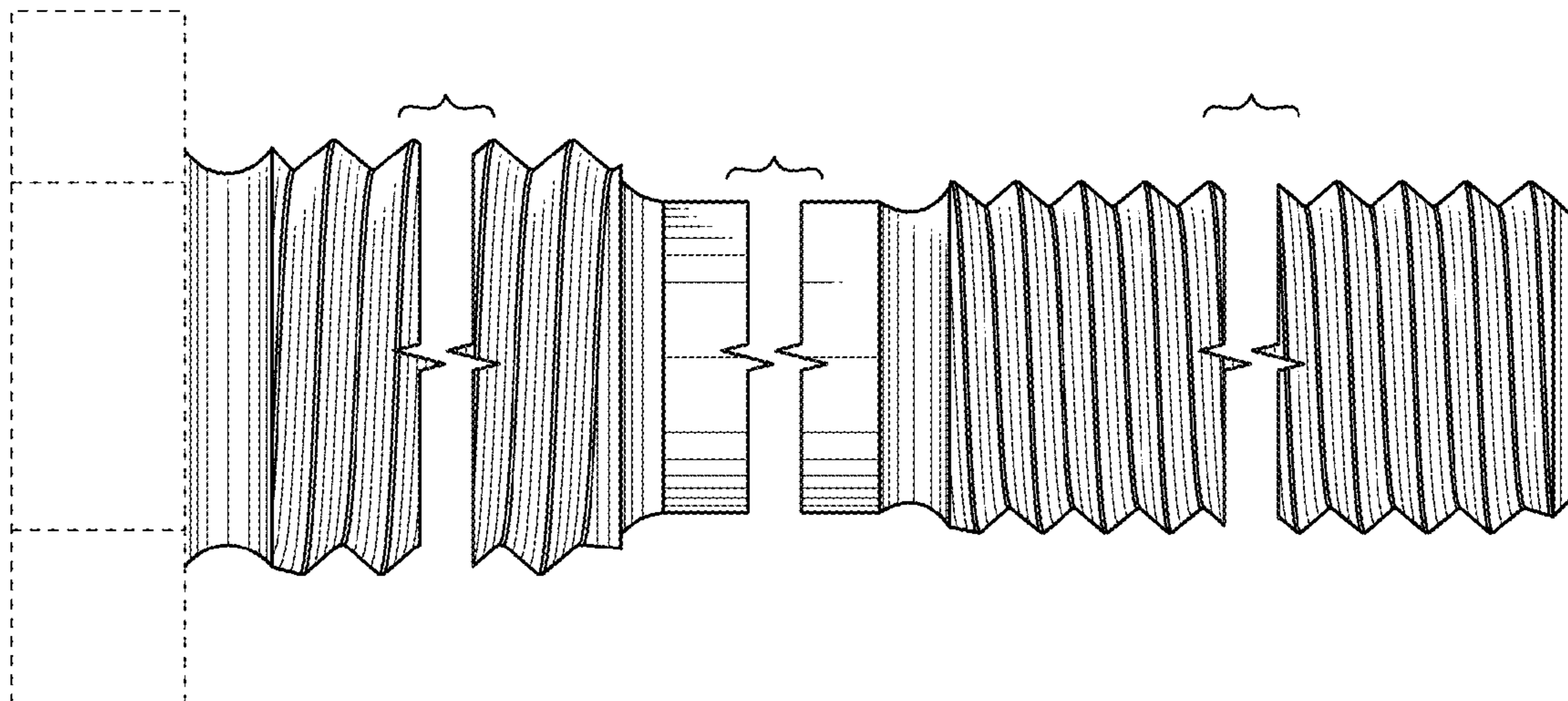
FIG. 6 is a front view thereof.

The broken line portion of the figure drawings is included to show unclaimed subject matter only and forms no part of the claimed design.

All portions of the fastener located between the break lines form no part of the claimed design.

The fastener is shown with a symbolic break in its length. The appearance of any portion of the article between the break lines forms no part of the claimed design.

1 Claim, 3 Drawing Sheets



(56)

References Cited

U.S. PATENT DOCUMENTS

D612,713 S * 3/2010 Konecnik D8/387
8,118,527 B2 * 2/2012 Schultz B21J 15/022
411/361
9,011,505 B2 * 4/2015 Prandi A61B 17/863
411/387.8
D741,159 S * 10/2015 Campbell D8/387
9,644,659 B2 * 5/2017 Woods F16B 19/008
2005/0207869 A1 * 9/2005 Haas F16B 5/0275
411/412
2008/0075555 A1 * 3/2008 March F16B 5/02
411/361
2009/0104001 A1 * 4/2009 Kochheiser F16B 5/0275
411/383
2010/0232872 A1 * 9/2010 Kato E04B 1/2604
403/306
2013/0251475 A1 * 9/2013 Schraer B60J 5/0431
411/366.1

* cited by examiner

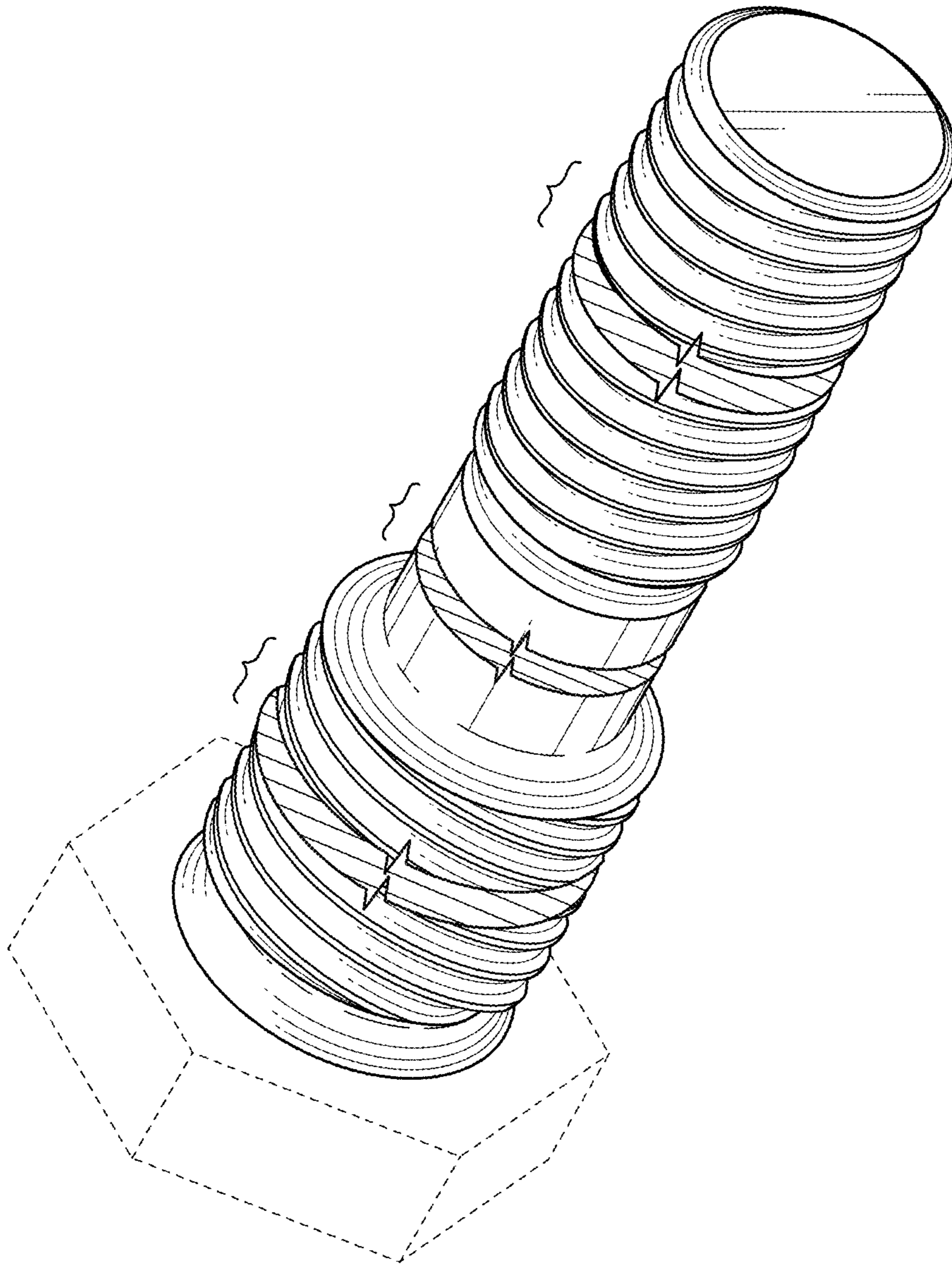


FIG. 1

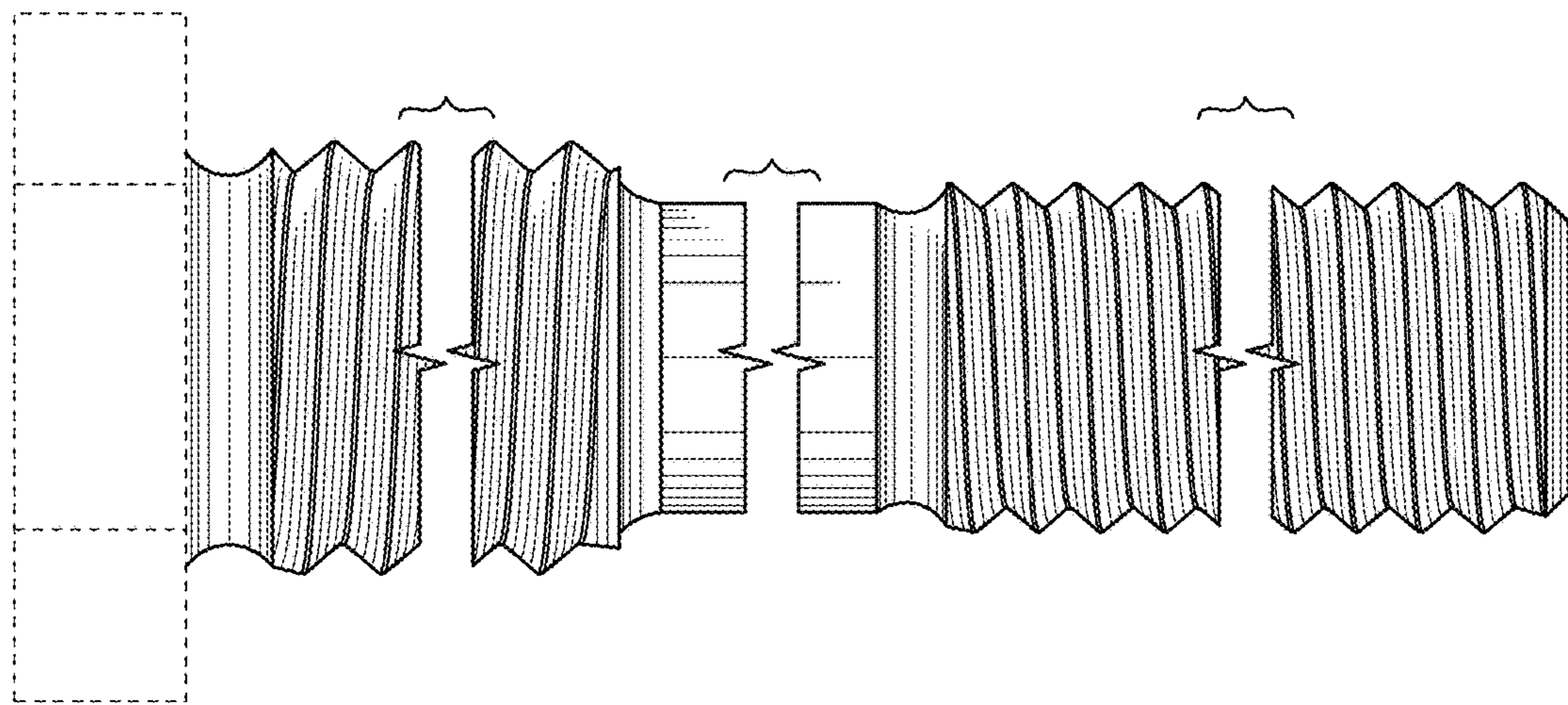


FIG. 2

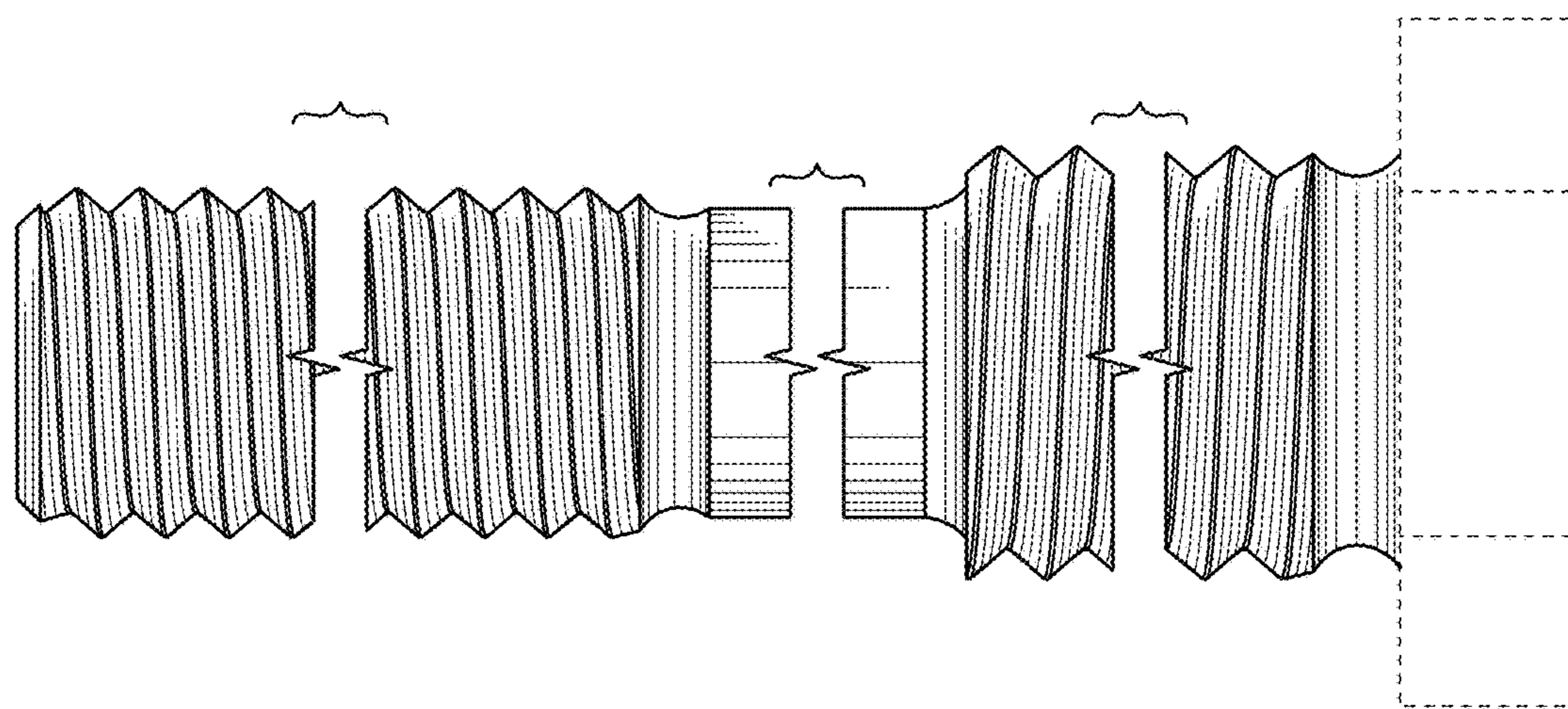


FIG. 3

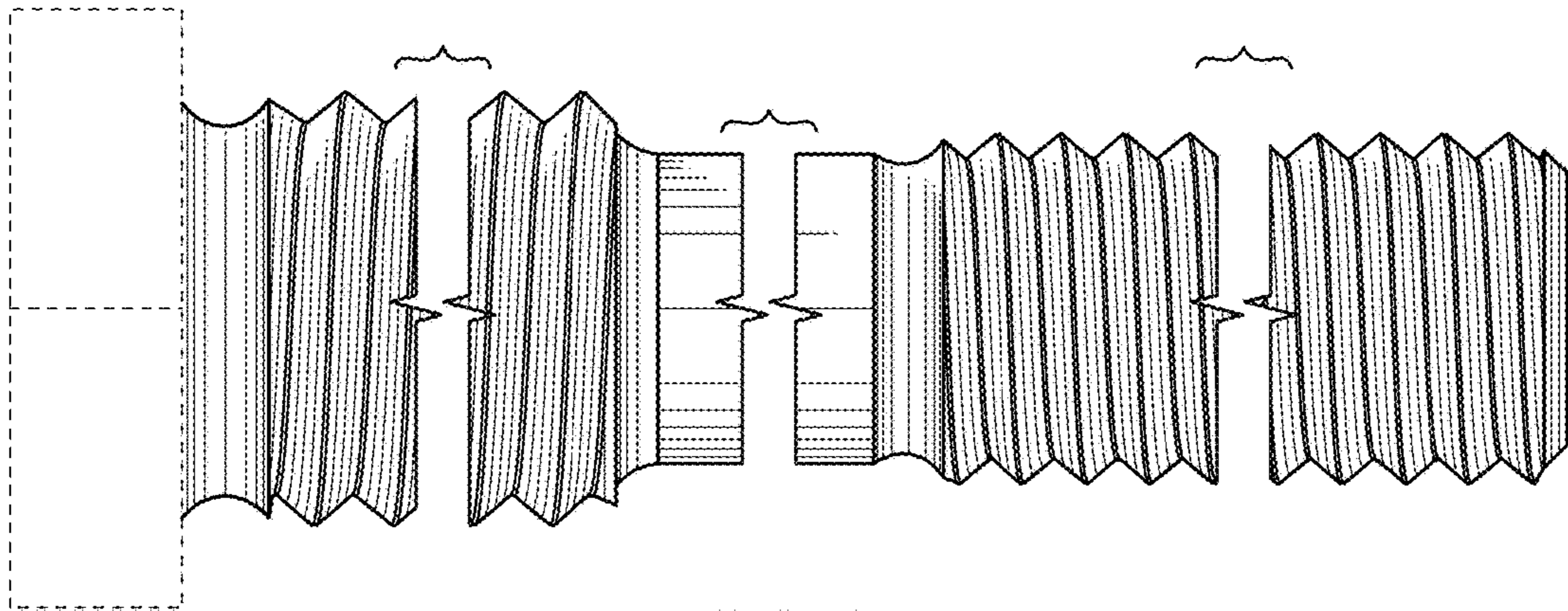


FIG. 4

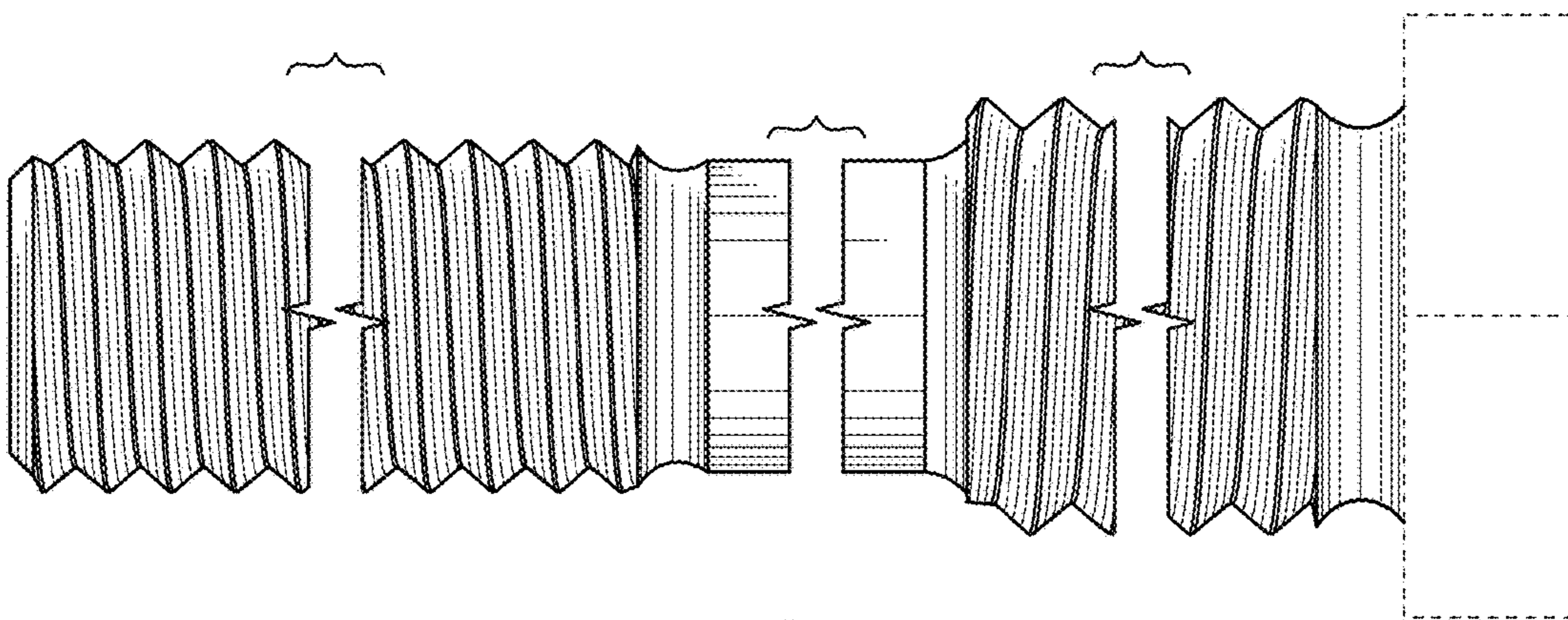


FIG. 5

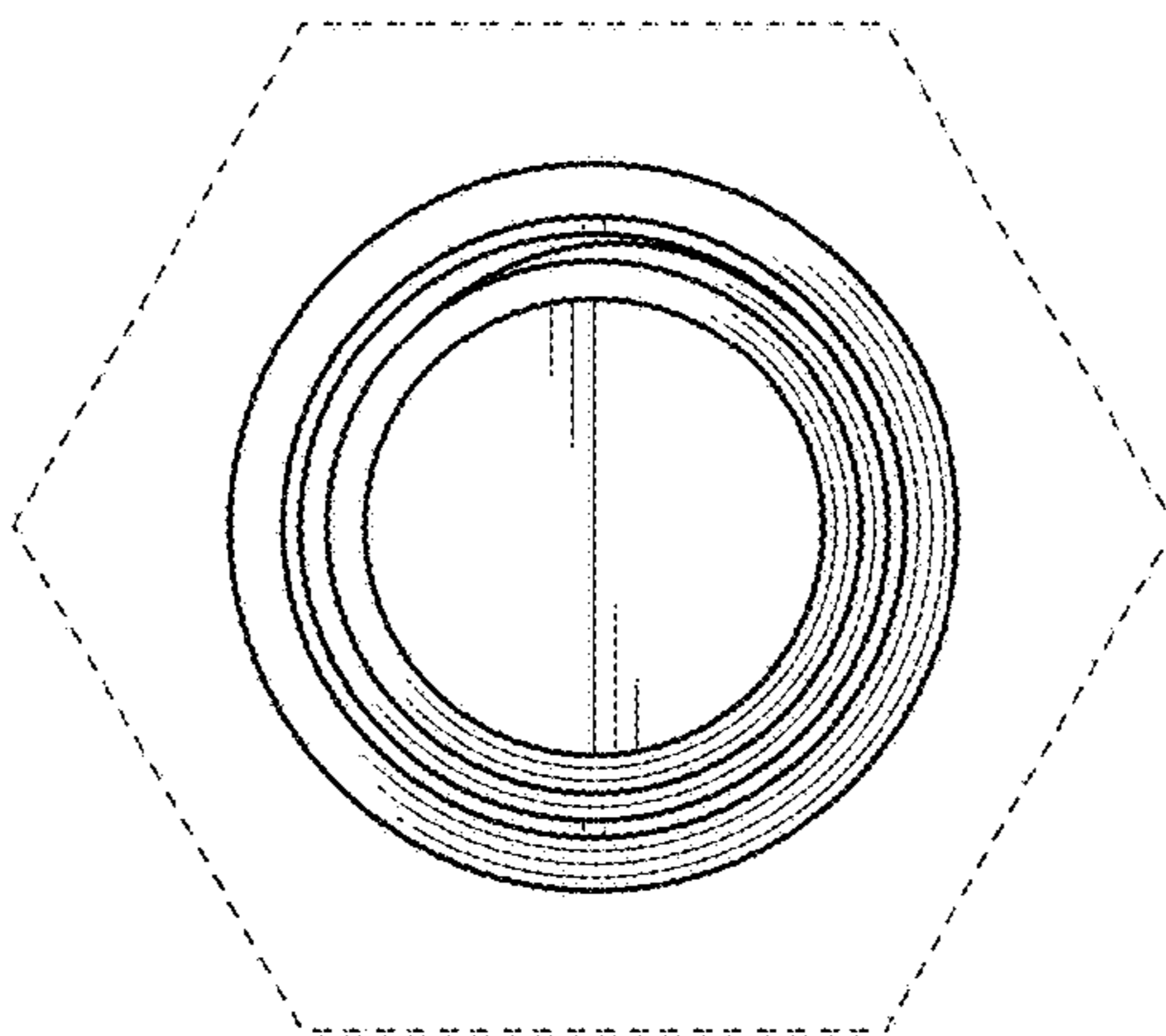


FIG. 6