



US00D814277S

(12) **United States Design Patent** (10) **Patent No.:** **US D814,277 S**
Partridge et al. (45) **Date of Patent:** **** Apr. 3, 2018**

(54) **LIGHTNING PROTECTION MOUNT**

OTHER PUBLICATIONS

(71) Applicant: **LIGHTNING PROTECTION SYSTEMS, LLC**, North Salt Lake, UT (US)

<http://www.youtube.com/watch?v=U2vbR34jBzk&feature=related>, Sep. 26, 2012.

(Continued)

(72) Inventors: **Kirk Partridge**, Park City, UT (US);
Todd Vought, Park City, UT (US);
Travis Vought, Salt Lake City, UT (US)

Primary Examiner — Sandra Snapp

Assistant Examiner — Ieisha Price

(74) *Attorney, Agent, or Firm* — Pate Baird, PLLC

(73) Assignee: **LIGHTNING PROTECTION SYSTEMS, LLC**, North Salt Lake, UT (US)

(57) **CLAIM**

(*) Notice: This patent is subject to a terminal disclaimer.

The ornamental design for a lightning protection mount, as shown and described.

(**) Term: **14 Years**

DESCRIPTION

(21) Appl. No.: **29/525,927**

(22) Filed: **May 5, 2015**

Related U.S. Application Data

(60) Division of application No. 14/448,684, filed on Jul. 31, 2014, now Pat. No. 9,263,864, and a (Continued)

(51) **LOC (11) Cl.** **08-08**

(52) **U.S. Cl.**
USPC **D8/382**

(58) **Field of Classification Search**
USPC D6/300, 301, 302, 309, 328, 553;
D8/307, 310, 349, 354, 382, 387, 388,
D8/499

(Continued)

(56) **References Cited**

U.S. PATENT DOCUMENTS

D295,258 S * 4/1988 Niwa 174/138 D
D295,368 S * 4/1988 Niwa 174/138 D

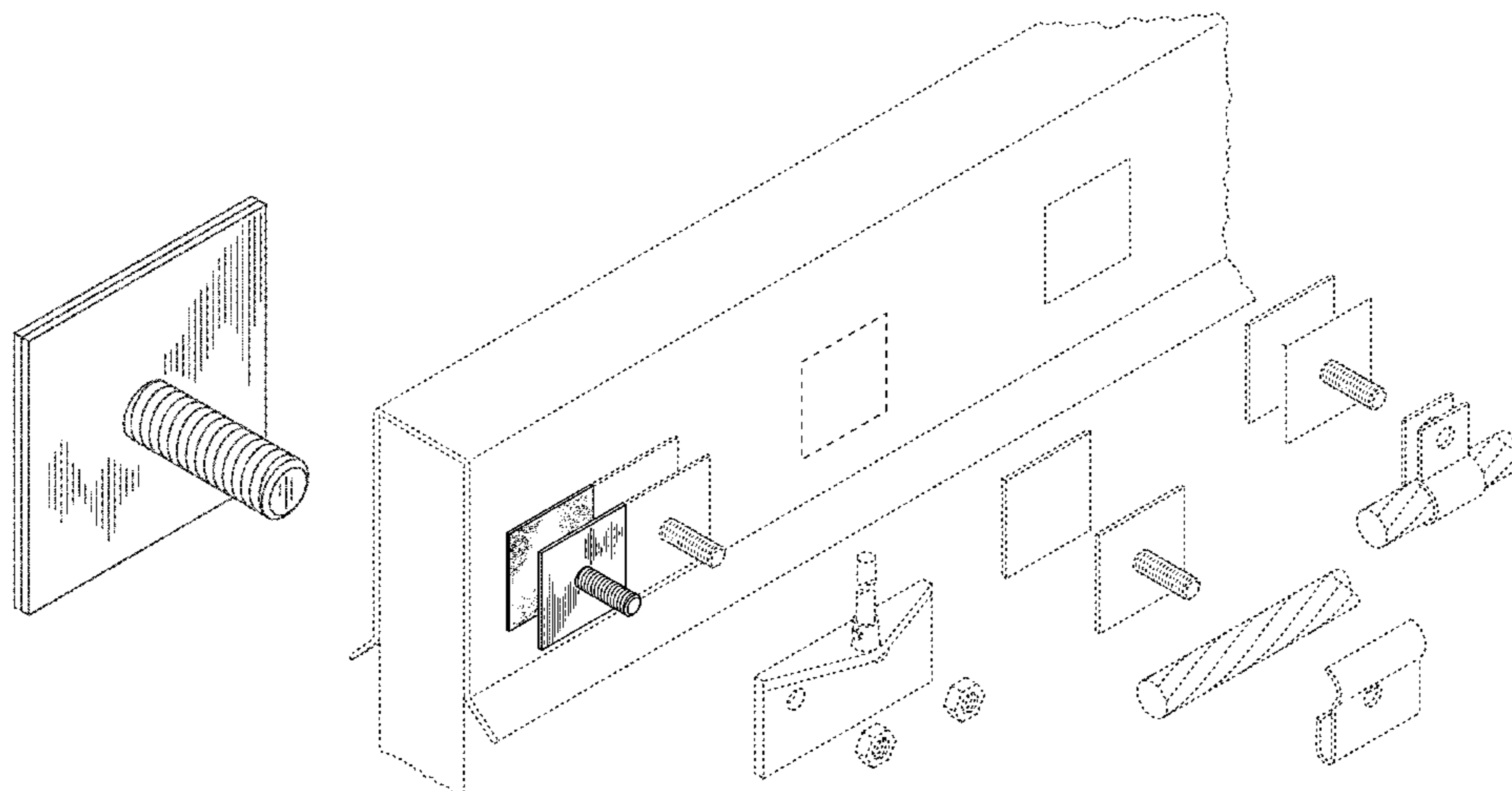
(Continued)

FIG. 1 is a front perspective view of a lightning protection mount in accordance with the invention;
FIG. 2 is a rear perspective view thereof;
FIG. 3 is a partially cut away rear perspective view thereof;
FIG. 4 is a front elevation view thereof;
FIG. 5 is a rear elevation view thereof;
FIG. 6 is a top plan view thereof;
FIG. 7 is a bottom plan view thereof;
FIG. 8 is a left side elevation view thereof;
FIG. 9 is a right side elevation view thereof;
FIG. 10 is an exploded environmental perspective view of the lightning protection mount in accordance with the invention; and,
FIG. 11 is an exploded environmental perspective view of the lightning protection mount in accordance with the invention.

The stippling shown in FIGS. 2, 3, 5, 10 and 11 represents a polymeric material surface.

The broken lines shown in FIGS. 10 and 11 represents the environment of the claimed design and forms no part thereof.

1 Claim, 4 Drawing Sheets



Related U.S. Application Data

continuation-in-part of application No. 14/600,270, filed on Jan. 20, 2015, which is a continuation of application No. 13/676,292, filed on Nov. 14, 2012, now Pat. No. 8,950,055.

(58) **Field of Classification Search**

CPC ... H02G 13/00; H02G 1/14; F16L 3/06; F16L 3/1008; F16M 13/02; Y10T 29/49869; Y10T 29/49947; Y10T 29/49117; Y10T 29/49966

See application file for complete search history.

(56)

References Cited

U.S. PATENT DOCUMENTS

5,050,836	A	9/1991	Makous	
D431,176	S *	9/2000	Zarnoti	D8/354
D678,039	S *	3/2013	Psaila	D8/354
8,950,055	B2 *	2/2015	Partridge	H02G 13/00 29/525.13
D734,133	S *	7/2015	Spindler	D8/367
9,096,284	B2 *	8/2015	Meulemans	B62D 55/286
2011/0253579	A1 *	10/2011	Chong	B65D 73/0014 206/493
2011/0286785	A1	11/2011	Brouwer et al.	

2015/0014015	A1 *	1/2015	Partridge	H02G 13/00 174/3
2015/0188299	A1 *	7/2015	Partridge	H02G 13/00 29/825
2016/0268793	A1 *	9/2016	Partridge	H02G 13/40

OTHER PUBLICATIONS

<http://www.youtube.com/watch?v=hNgtoI3lsQ4>, Sep. 26, 2012.
http://www.uline.com/Grp_240/3M-VHB-Tapes?pricode=WI849&AdKeyword=3m%20vhb%20tape&AdMatchtype=e&gclid=COvctNuh58QCFViUfgodHY8APA&gclsrc=aw.ds, Apr. 8, 2015.
http://www.lightningrodsupply.com/index_files/page0001.htm Lightning Rod Parts Equipment, pp. 1-5, Apr. 8, 2015.
<http://www.erico.com/products/LP302.asp> Erico® Eritech® Universal Air Terminal Base LP302 pp. 1-2, Apr. 7, 2015.
<http://www.enrico.com/products/SR000E.asp> Erico® Eritech® System 2000 Lightning Protection System-America pp. 1-2, Apr. 7, 2015.
http://www.kuefler-lightning.com/series800-fasteners.htm?gclid=CKfk_vSk5cQCFY-Tfgod Lightning Protection Copper, Aluminum Cable Straps, Holders for Standing Seam Roofing Series 800-Lightning Protection Conductor Fasteners pp. 1-5, Apr. 7, 2015.

* cited by examiner

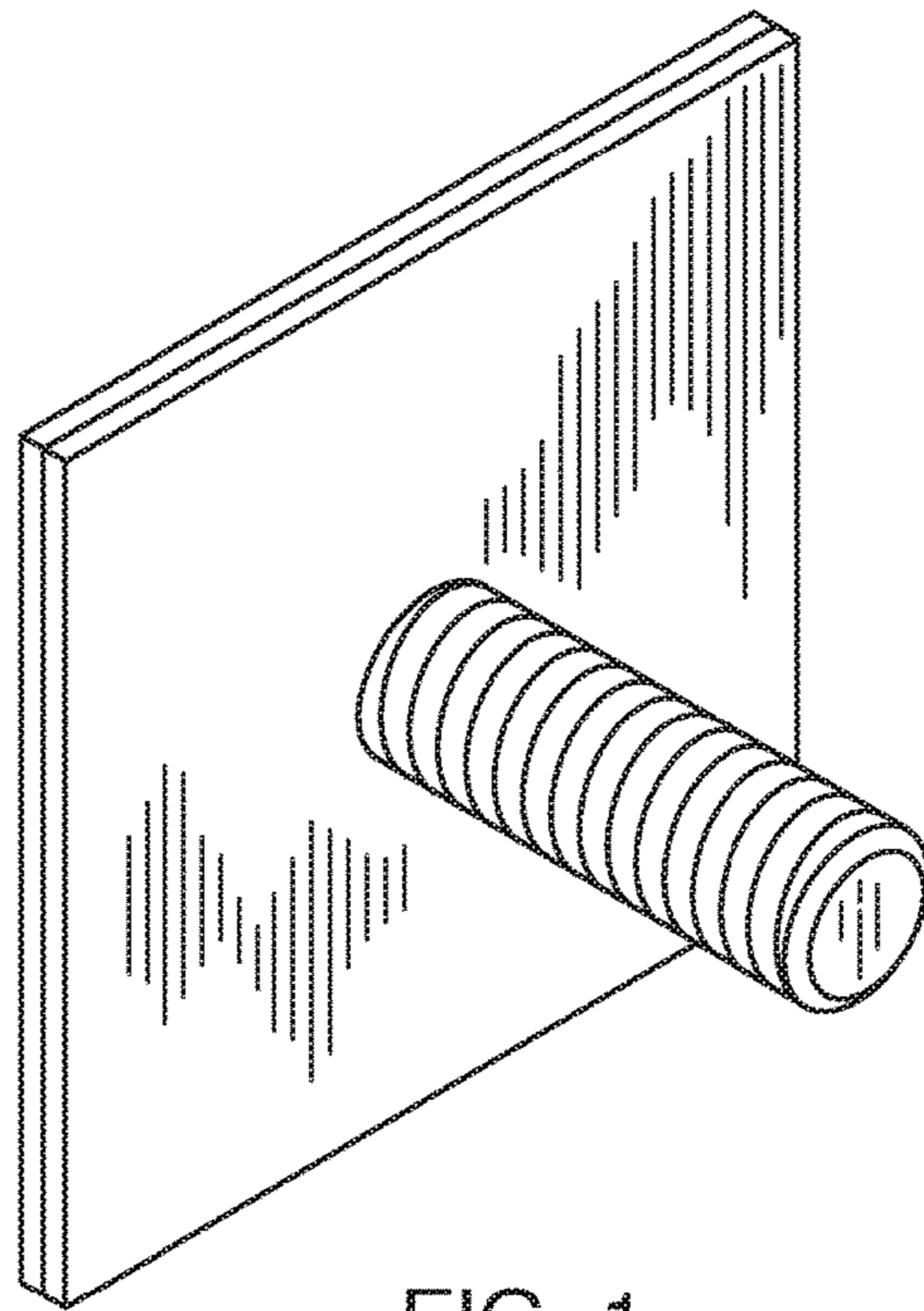


FIG. 1

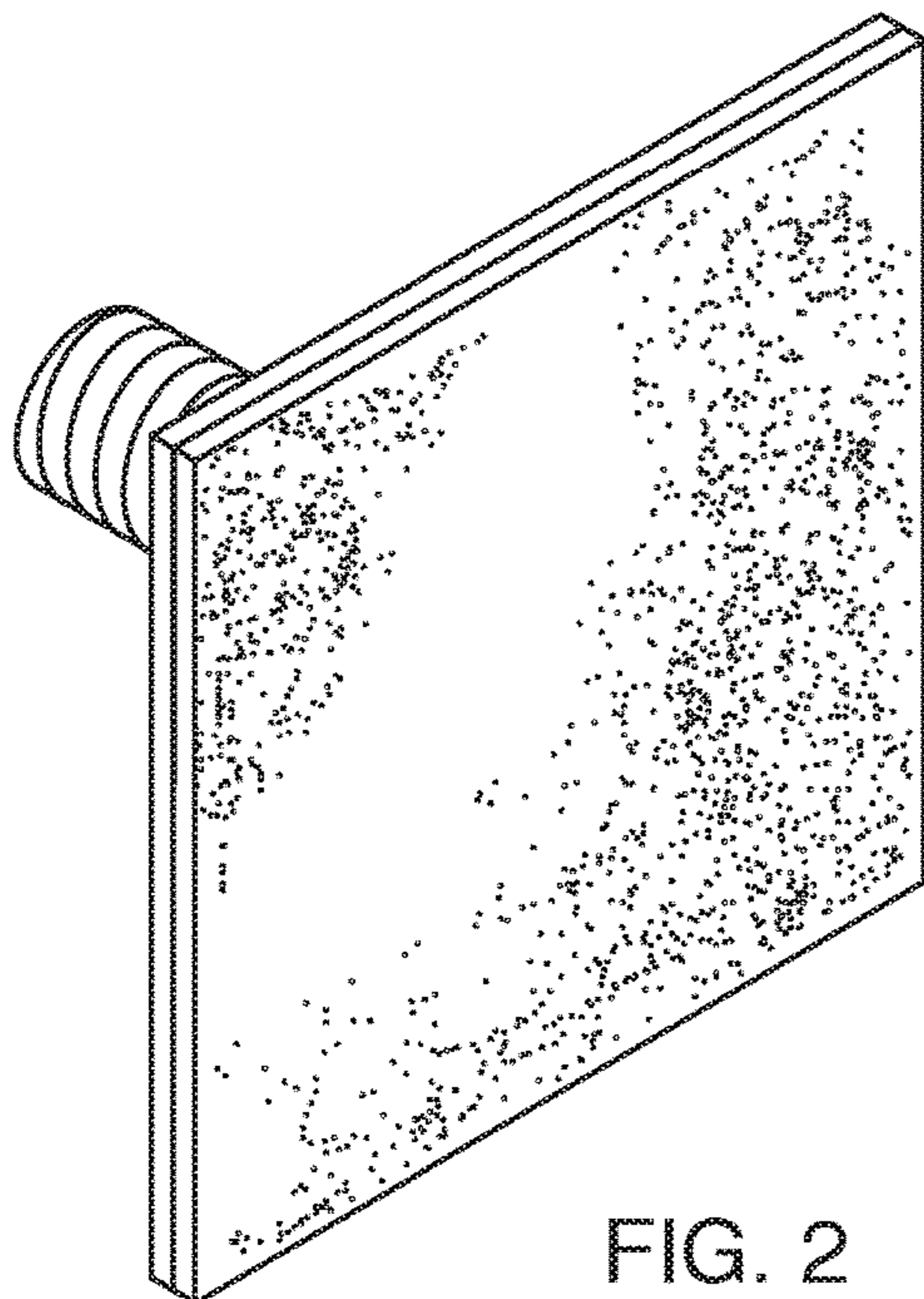


FIG. 2

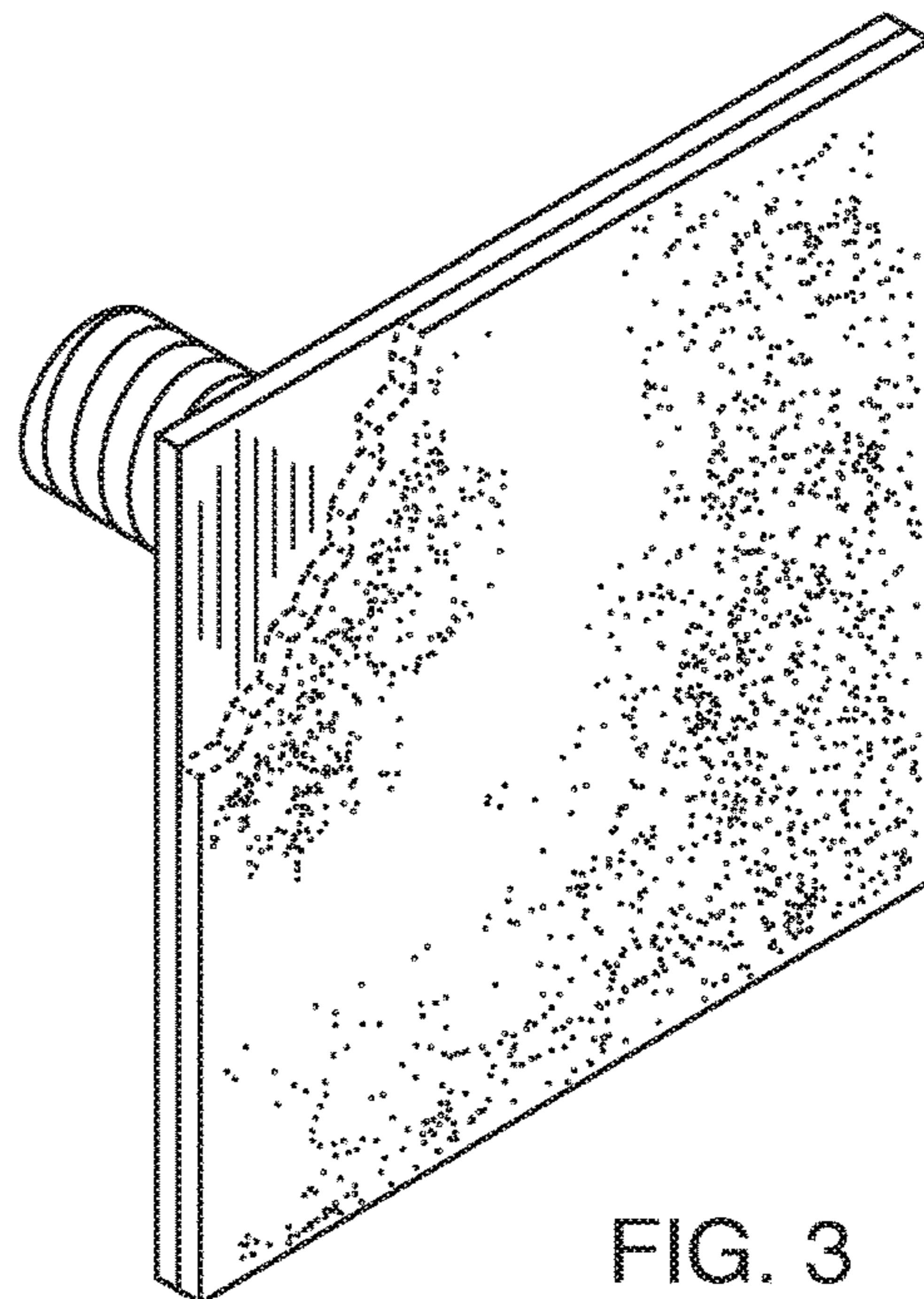


FIG. 3

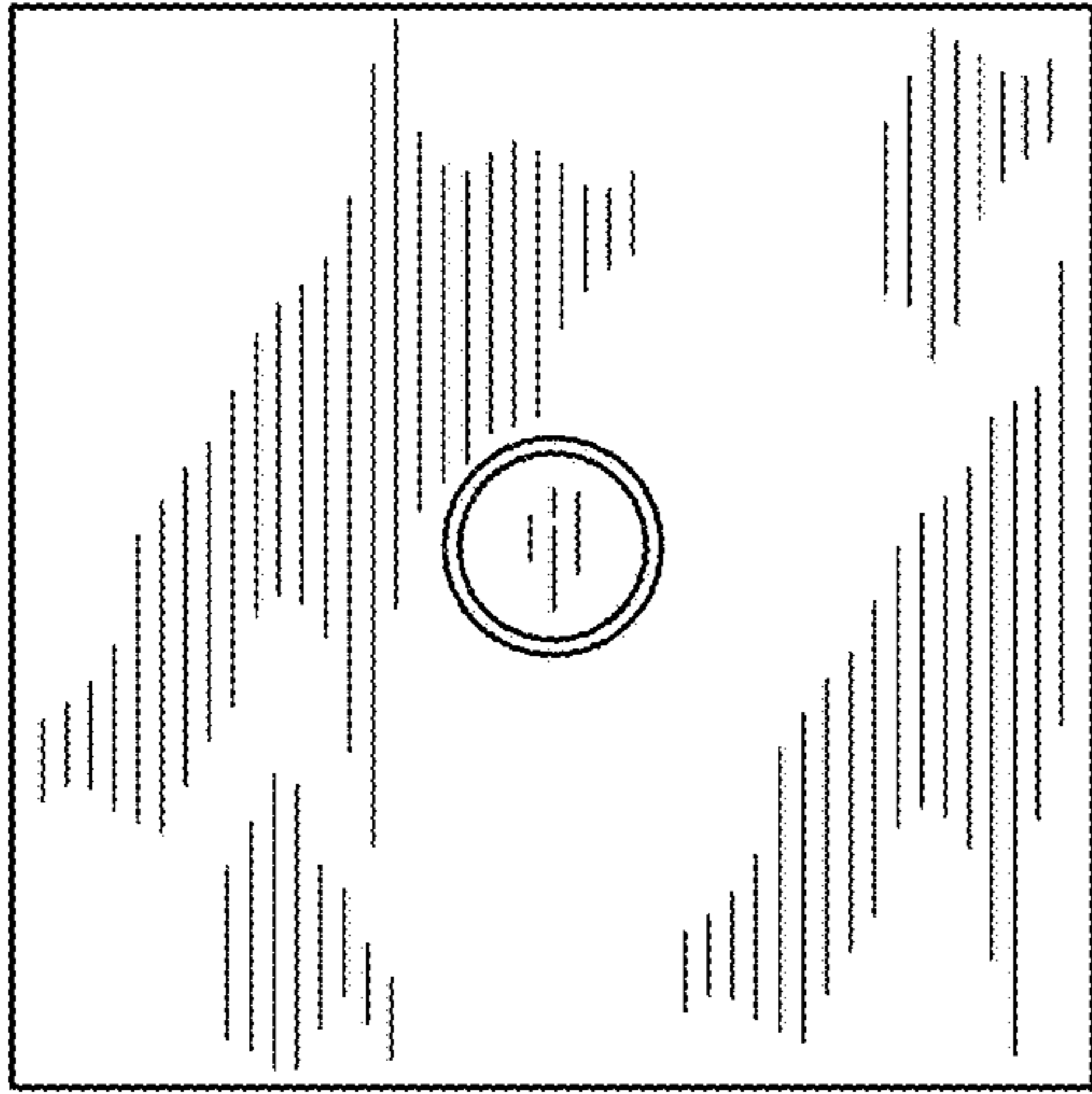


FIG. 4

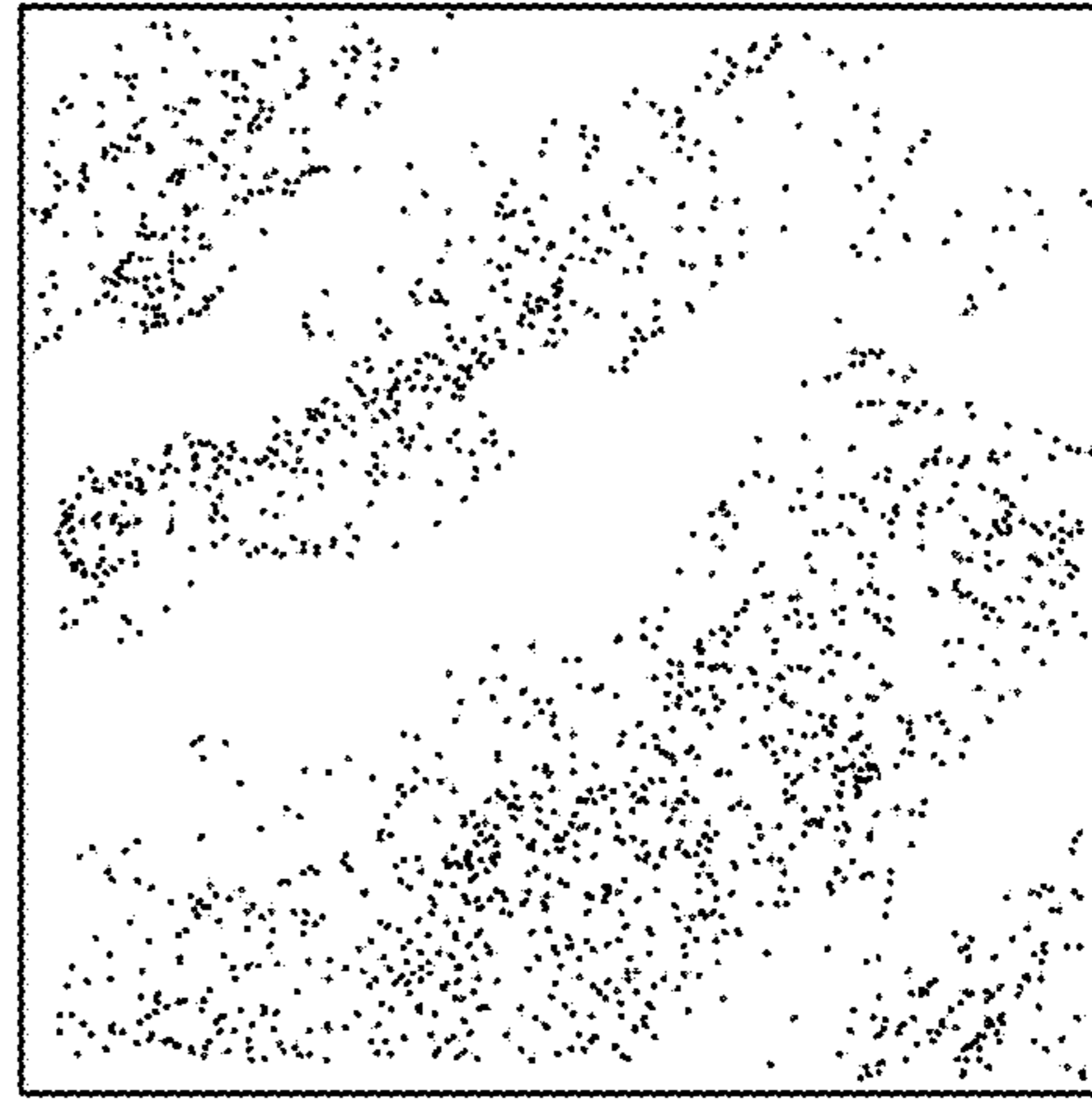


FIG. 5

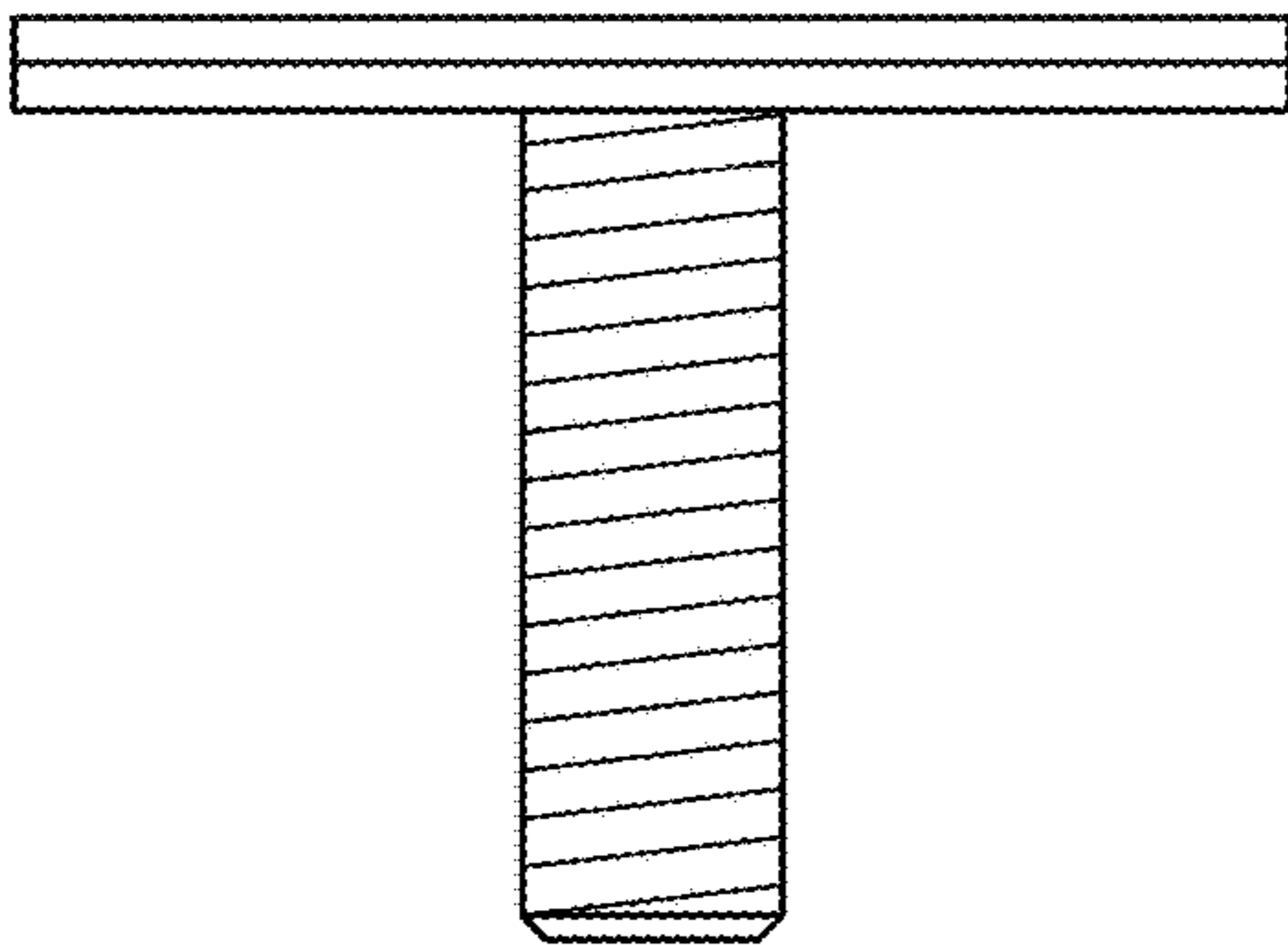


FIG. 6

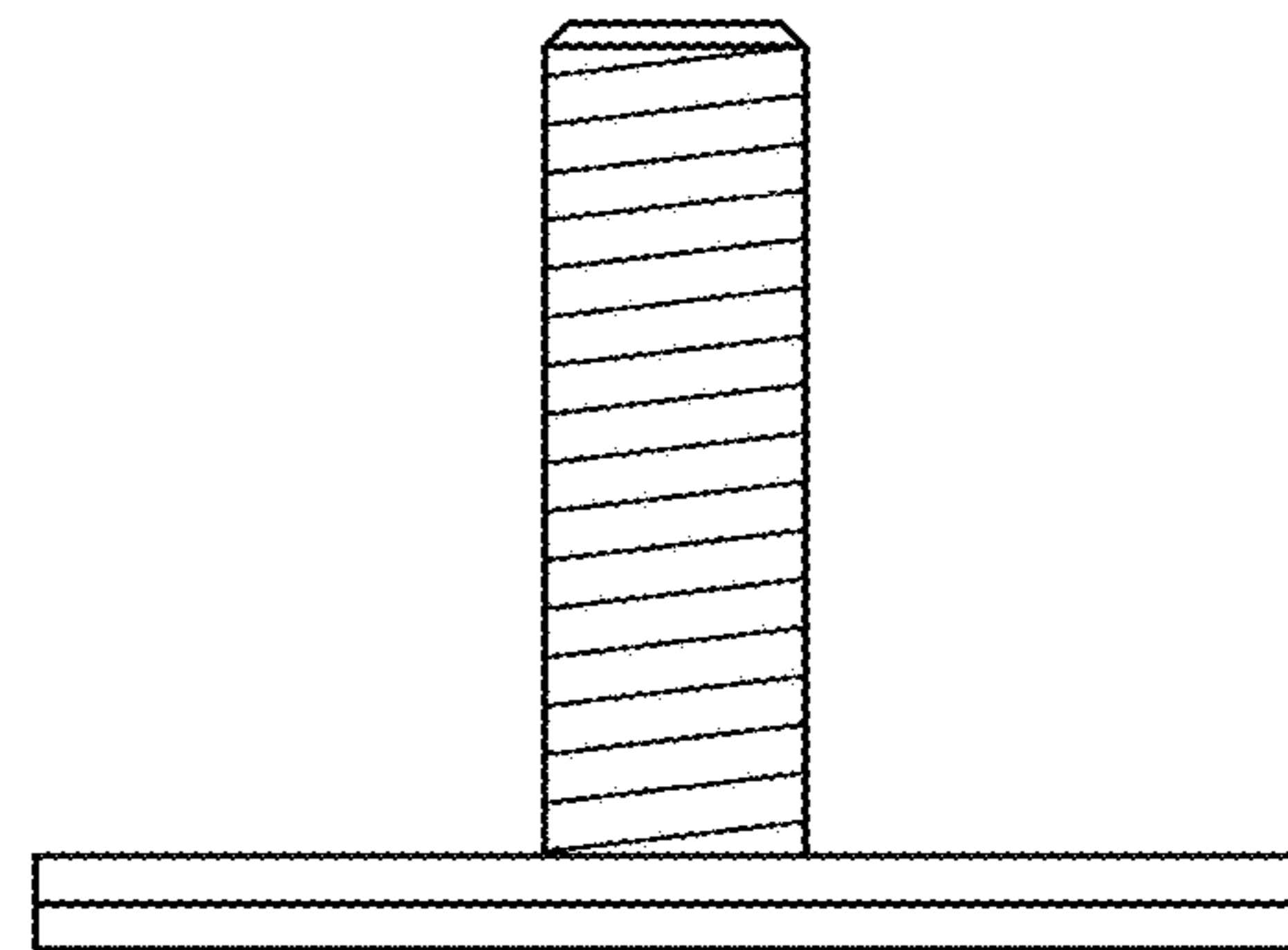


FIG. 7

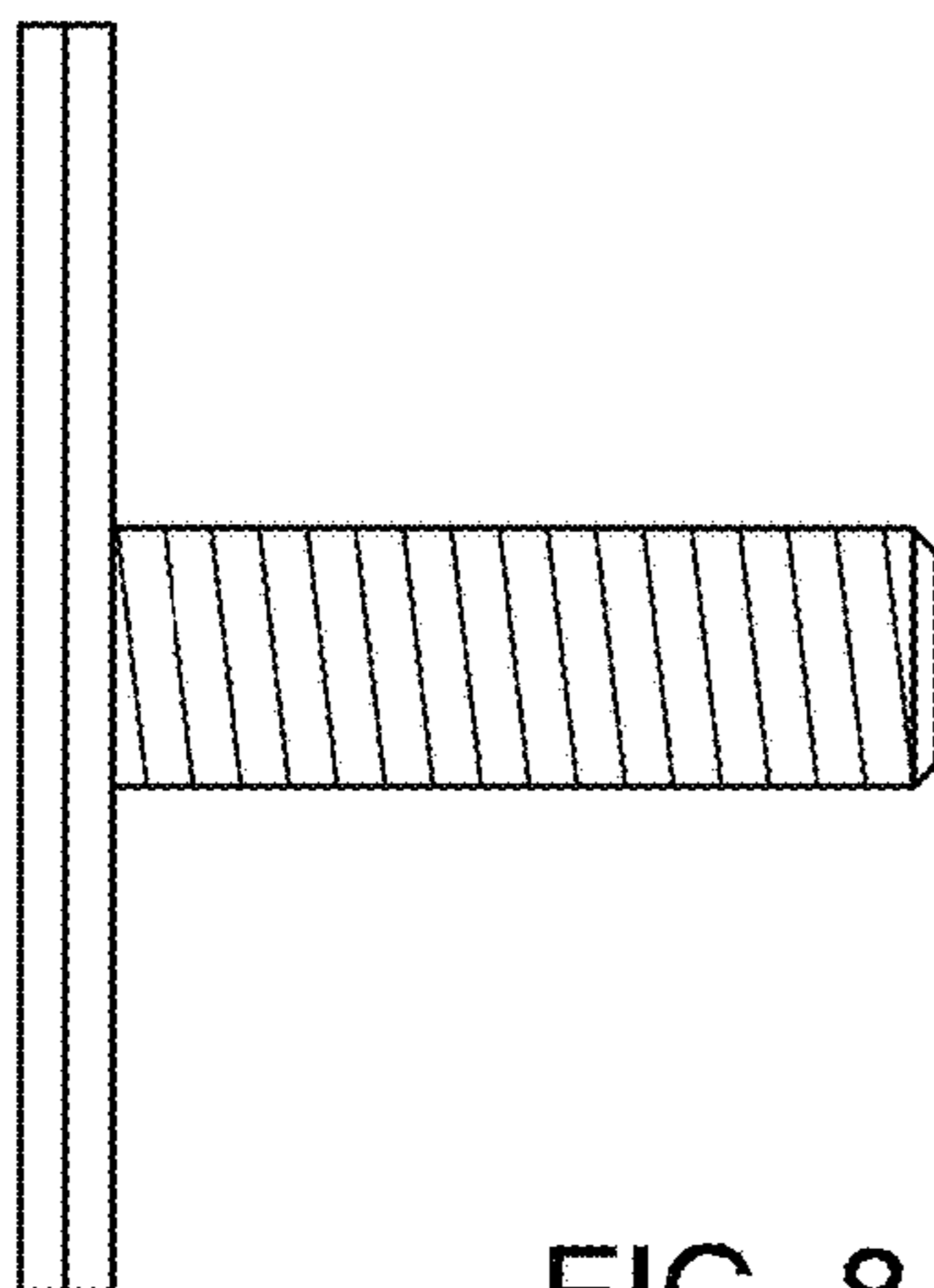


FIG. 8

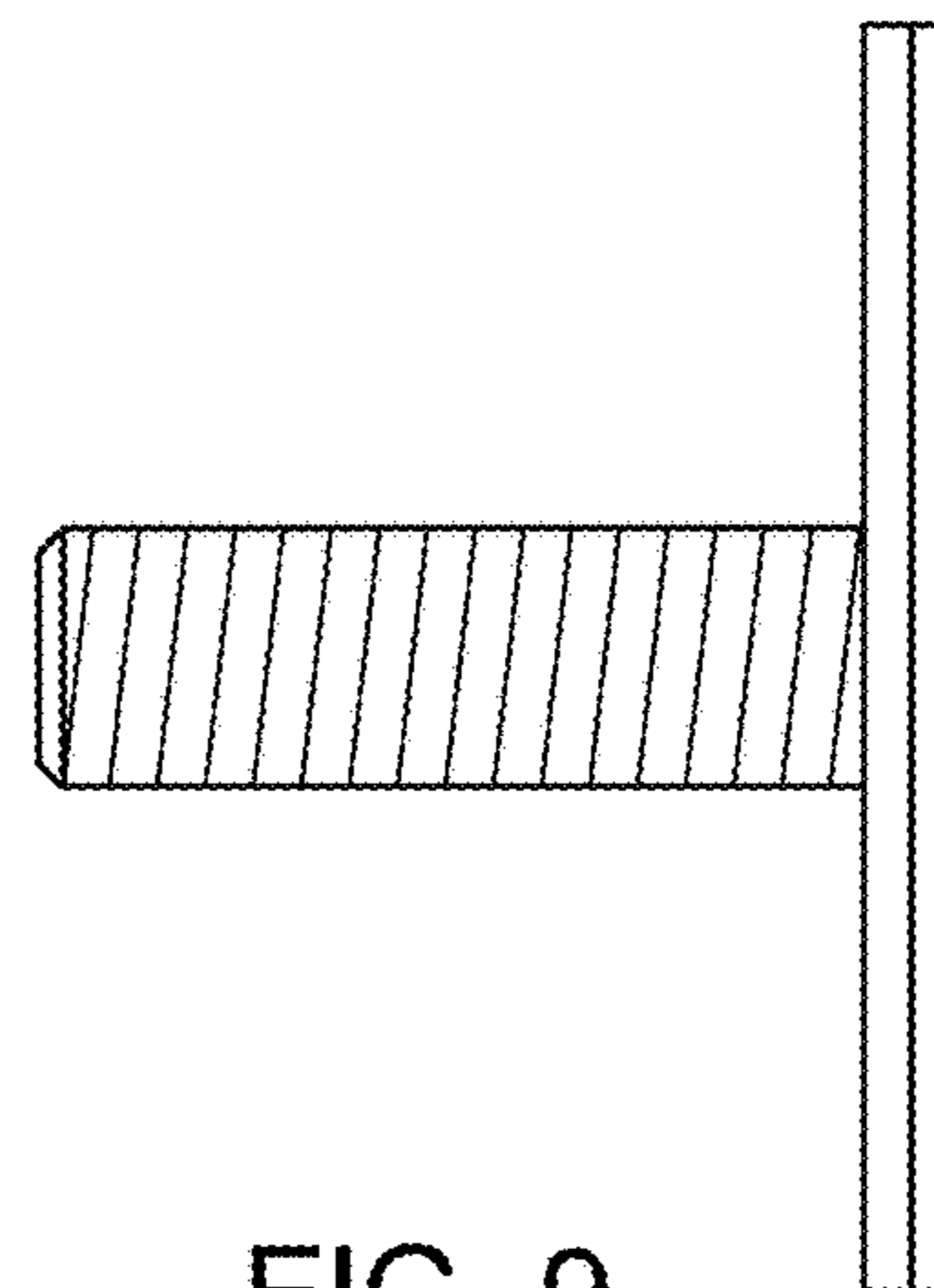


FIG. 9

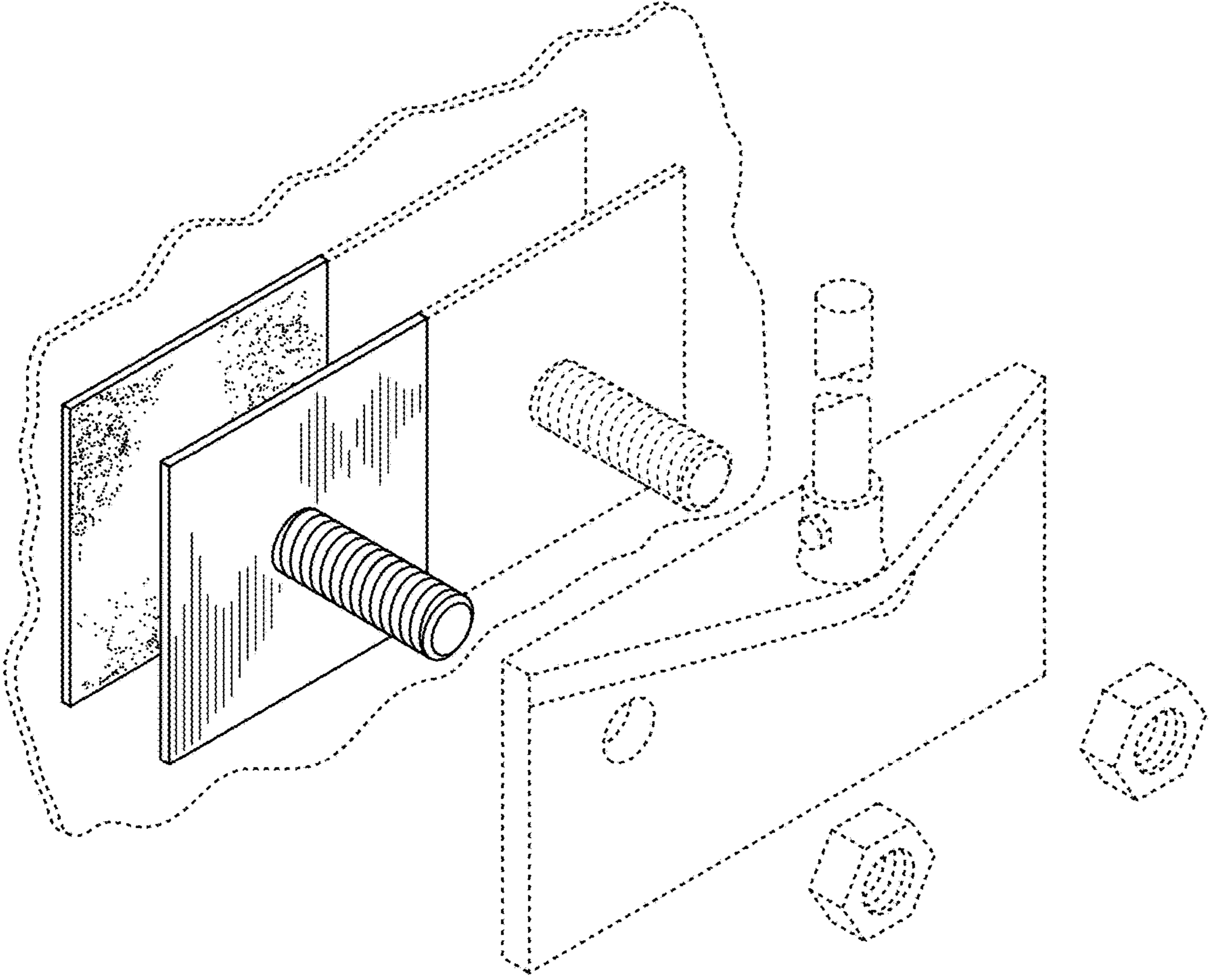


FIG. 10

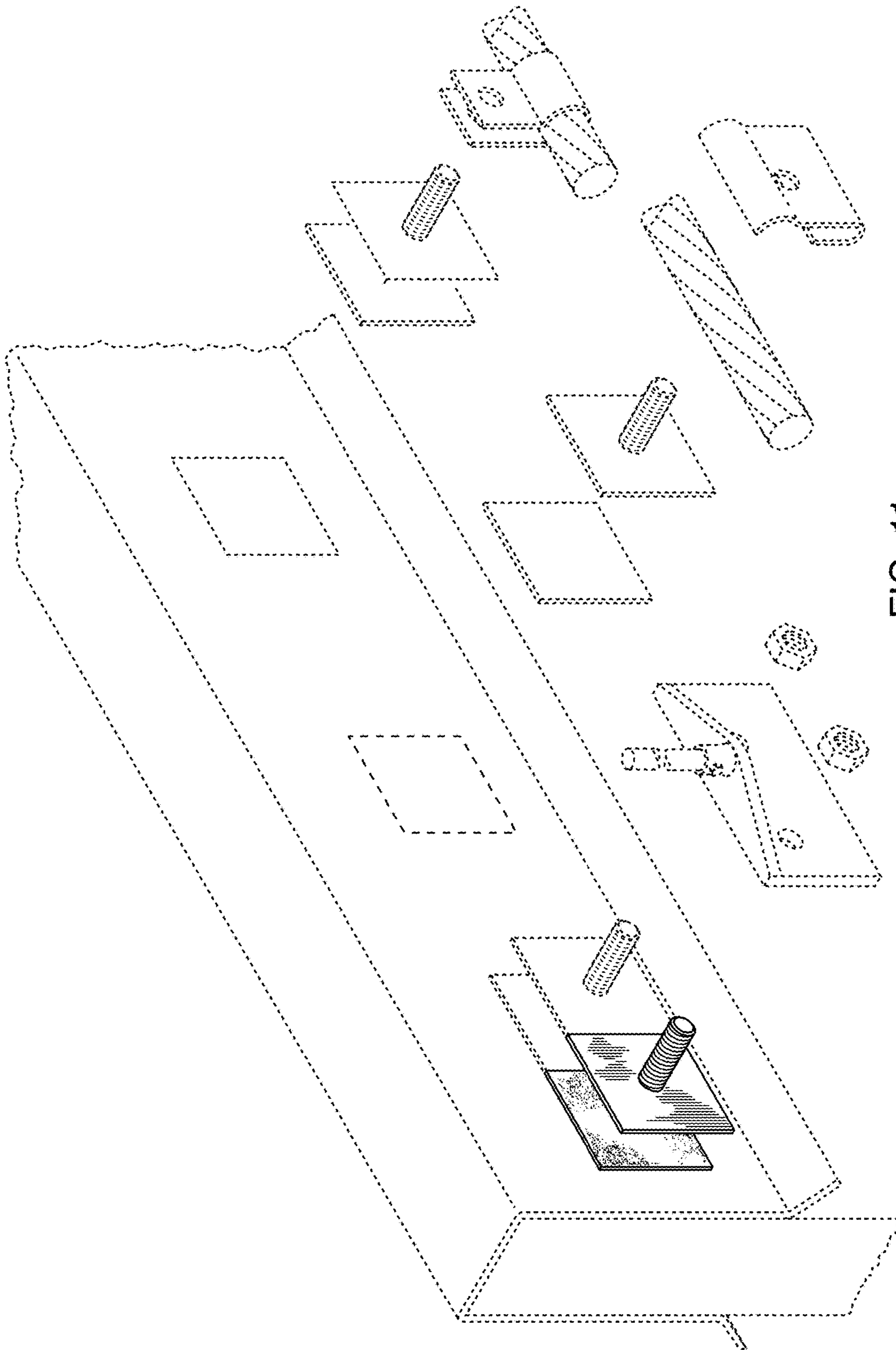


FIG. 11