



US00D814273S

(12) **United States Design Patent** (10) **Patent No.:** **US D814,273 S**
Karpanty et al. (45) **Date of Patent:** **** Apr. 3, 2018**

(54) **HALYARD LINE ORGANIZER**
(71) Applicant: **Rupp Marine, Inc.**, Port Salerno, FL (US)
(72) Inventors: **Ronald Karpanty**, Port Salerno, FL (US); **Scott Rupp**, Port Salerno, FL (US)
(73) Assignee: **Rupp Marine, Inc.**, Port Salerno, FL (US)

5,234,185 A * 8/1993 Hoffman F16L 5/14 248/56
5,316,246 A * 5/1994 Scott A61M 5/1418 248/68.1
D353,990 S * 1/1995 Alfreds D8/356
D354,904 S * 1/1995 Halsten D8/356
D372,188 S * 7/1996 Van Dyke D8/358
D390,447 S * 2/1998 Colen, Jr. D8/356
5,992,802 A * 11/1999 Campbell F16L 3/2235 248/68.1
6,012,940 A * 1/2000 Wheeler H01R 13/6392 439/369
D430,005 S * 8/2000 Stearns D8/380
(Continued)

(**) Term: **15 Years**

Primary Examiner — Cynthia Underwood
(74) *Attorney, Agent, or Firm* — McHale & Slavin, P.A.

(21) Appl. No.: **29/595,047**

(57) **CLAIM**

(22) Filed: **Feb. 24, 2017**

The ornamental design for a halyard line organizer, as shown and described.

(51) **LOC (11) Cl.** **09-06**

(52) **U.S. Cl.**
USPC **D8/356**

DESCRIPTION

(58) **Field of Classification Search**
USPC D8/356, 354, 349
CPC B65H 57/16; E02D 5/803; B63B 21/045; B63B 59/02; B60D 1/18; B60P 1/103; Y10T 24/3918; H02G 7/12
See application file for complete search history.

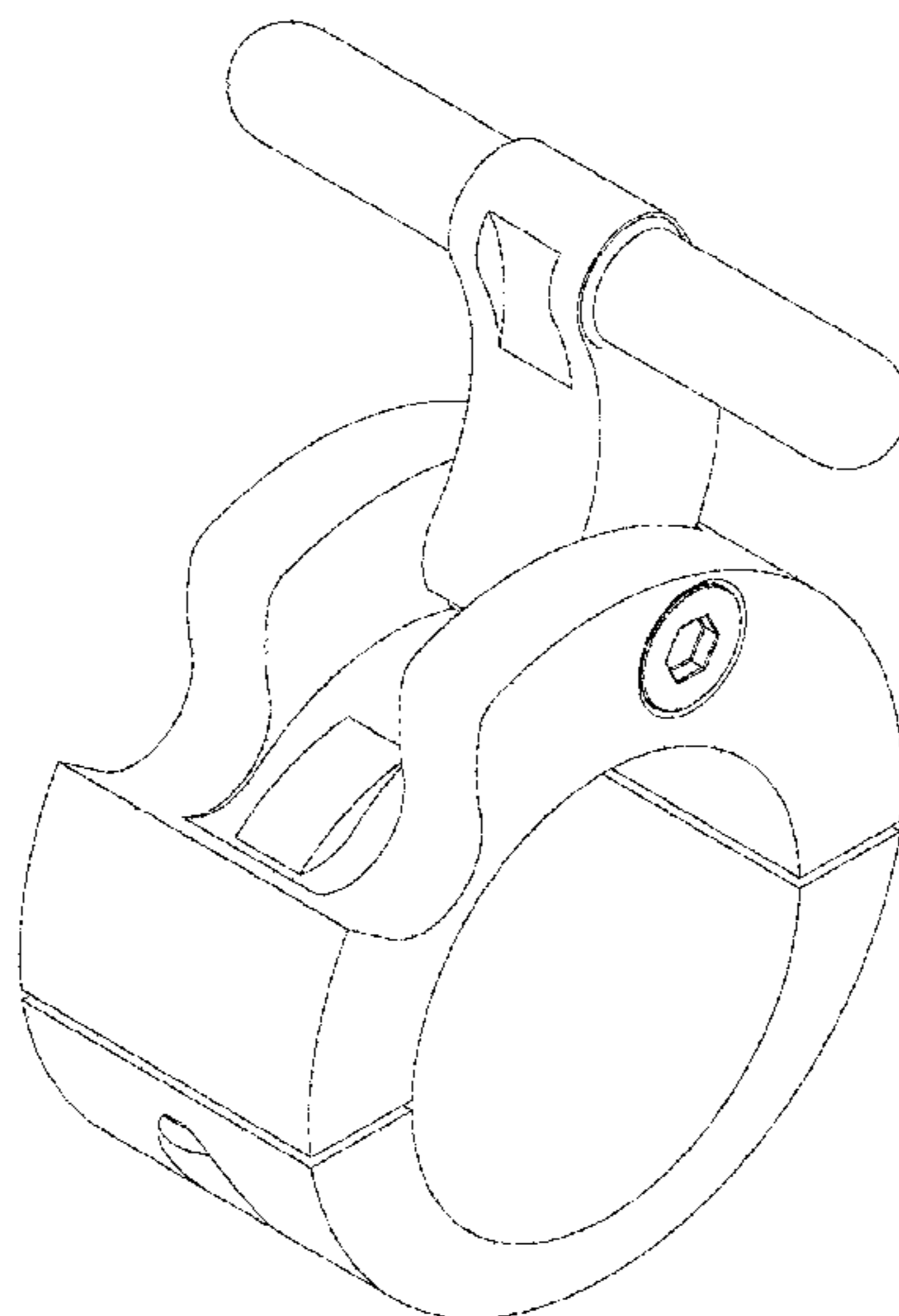
FIG. 1 - Perspective view of a halyard line organizer in an open position;
FIG. 2 - Right side thereof;
FIG. 3 - Left side thereof;
FIG. 4 - Top view thereof;
FIG. 5 - Bottom view thereof;
FIG. 6 - Front view thereof;
FIG. 7 - Rear view thereof;
FIG. 8 - Perspective view of said halyard line organizer in a closed position;
FIG. 9 - Top view of FIG. 8;
FIG. 10 - Side view of FIG. 8; and,
FIG. 11 is a left side view of FIG. 1 shown in an environment of use with the broken lines representing an outrigger and halyard line.
The portions of the halyard line organizer illustrated in broken lines form no part of the claim for the halyard line organizer.

(56) **References Cited**

U.S. PATENT DOCUMENTS

2,396,836 A * 3/1946 Ellinwood F16L 3/2235 174/135
2,937,833 A * 5/1960 Sachs F16L 3/2235 248/49
3,546,364 A * 12/1970 O'Neel H01R 11/03 174/72 R
3,740,692 A * 6/1973 Filhaber H01R 4/38 174/72 R
4,099,626 A * 7/1978 Magnussen, Jr. A47B 63/02 211/194
D258,864 S * 4/1981 Muller D8/356
D265,052 S * 6/1982 Husted D8/356

1 Claim, 11 Drawing Sheets



(56)

References Cited

U.S. PATENT DOCUMENTS

6,203,384 B1 * 3/2001 DeFrance H01R 4/36
 439/797
 6,227,502 B1 * 5/2001 Derman F16L 3/2235
 248/68.1
 D448,650 S * 10/2001 Vrame D8/354
 6,571,854 B1 * 6/2003 Palmer E06B 9/324
 160/173 R
 D485,161 S * 1/2004 Hutchinson D8/383
 D494,450 S * 8/2004 Schultz D8/356
 D537,332 S * 2/2007 Nagle D8/396
 D537,709 S * 3/2007 Thorner D8/396
 D569,718 S * 5/2008 Nakamura D8/394
 D576,867 S * 9/2008 Kretz D8/356
 7,610,661 B2 * 11/2009 Sween B65H 75/06
 24/129 R
 D644,501 S * 9/2011 Chen D8/356
 D647,387 S * 10/2011 Pawluk D8/356

8,294,030 B2 * 10/2012 Pollard, Jr. H02G 3/24
 174/155
 D691,875 S * 10/2013 Ganski D8/356
 D707,106 S * 6/2014 Crouse D8/356
 D707,107 S * 6/2014 Crouse D8/356
 D731,296 S * 6/2015 Nelson D8/356
 D733,534 S * 7/2015 Altrichter D8/356
 D741,701 S * 10/2015 McNeil D8/356
 D753,985 S * 4/2016 Nelson D8/356
 9,314,013 B2 * 4/2016 Mancuso, Jr. A01M 31/006
 D756,752 S * 5/2016 Dentener D8/356
 D774,002 S * 12/2016 Hsieh D13/155
 D791,582 S * 7/2017 Nelson D8/356
 D794,434 S * 8/2017 McCoy D8/354
 9,755,354 B1 * 9/2017 Aumiller H01R 13/60
 D801,784 S * 11/2017 Simon D8/356
 D803,666 S * 11/2017 Morley D8/356
 2009/0324188 A1 * 12/2009 Berglund G02B 6/4441
 385/135

* cited by examiner

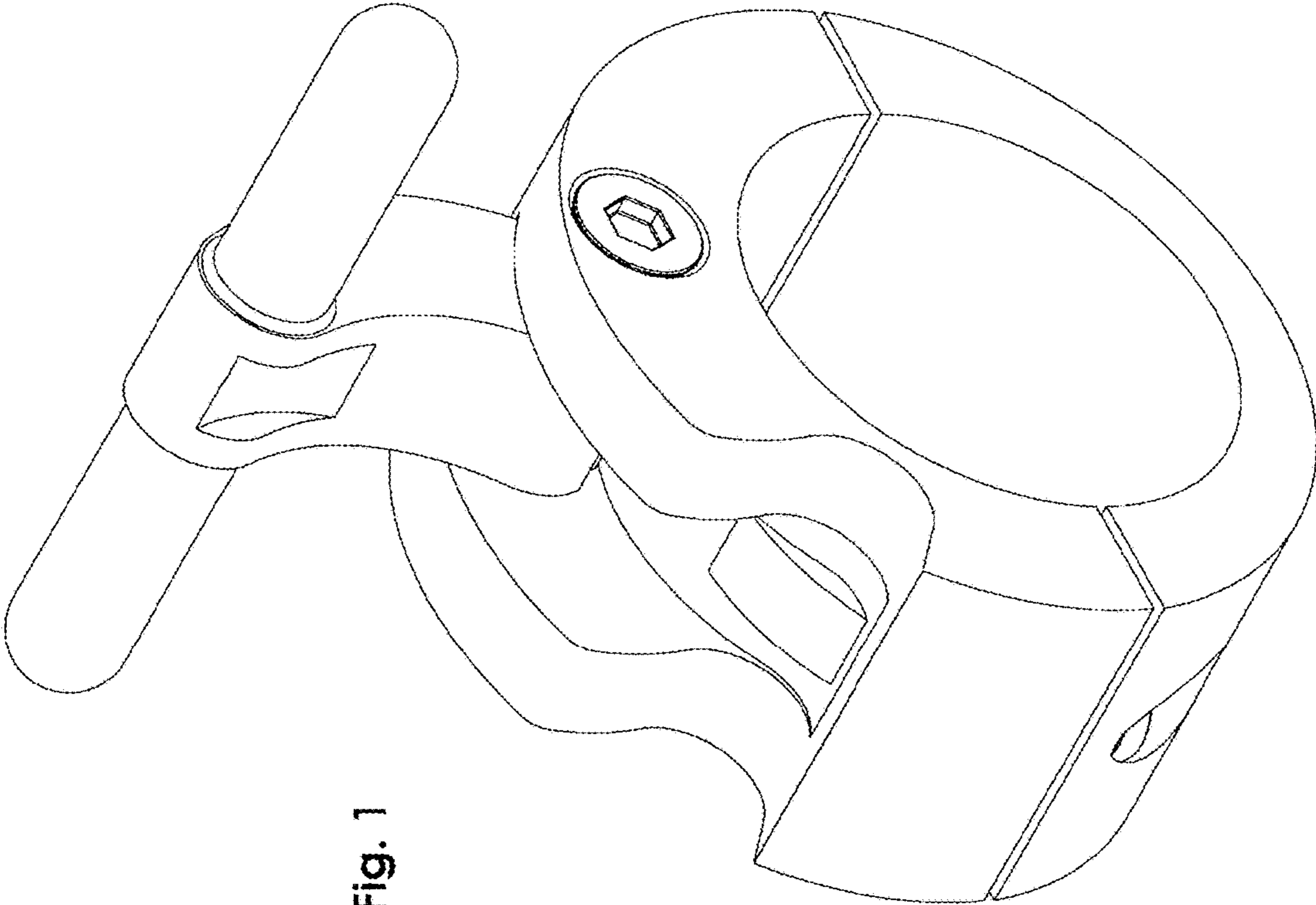


Fig. 1

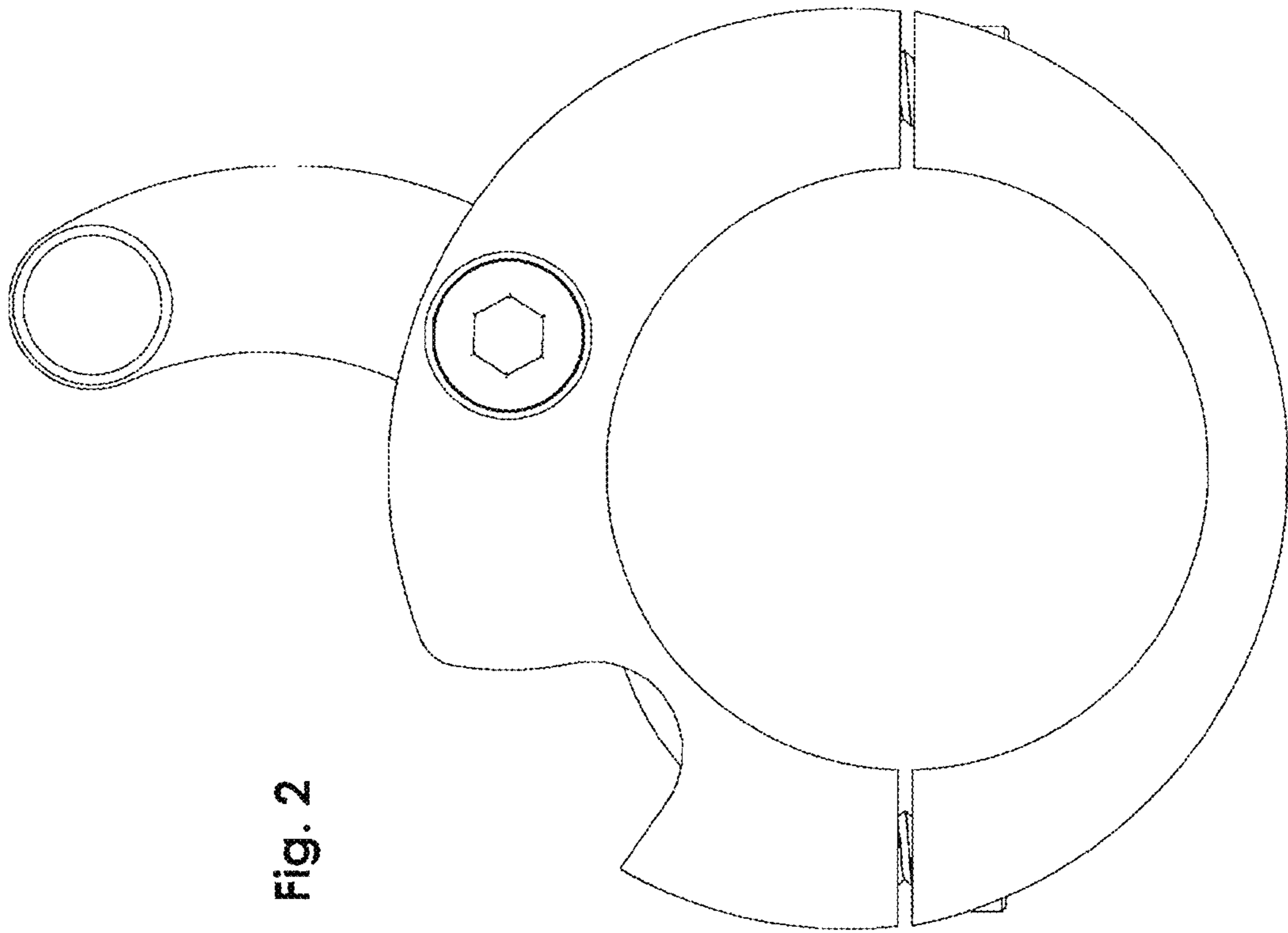


Fig. 2

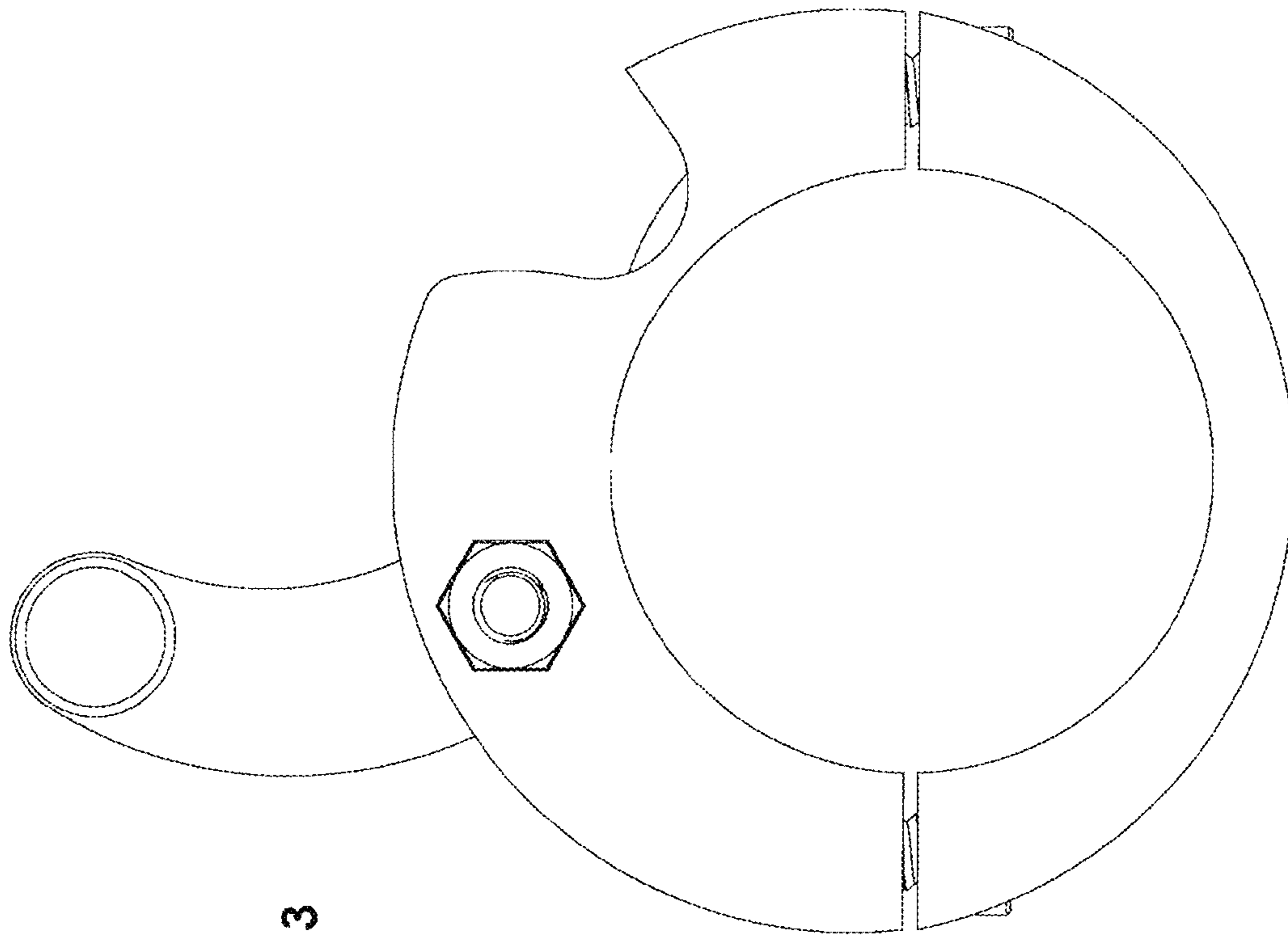


Fig. 3

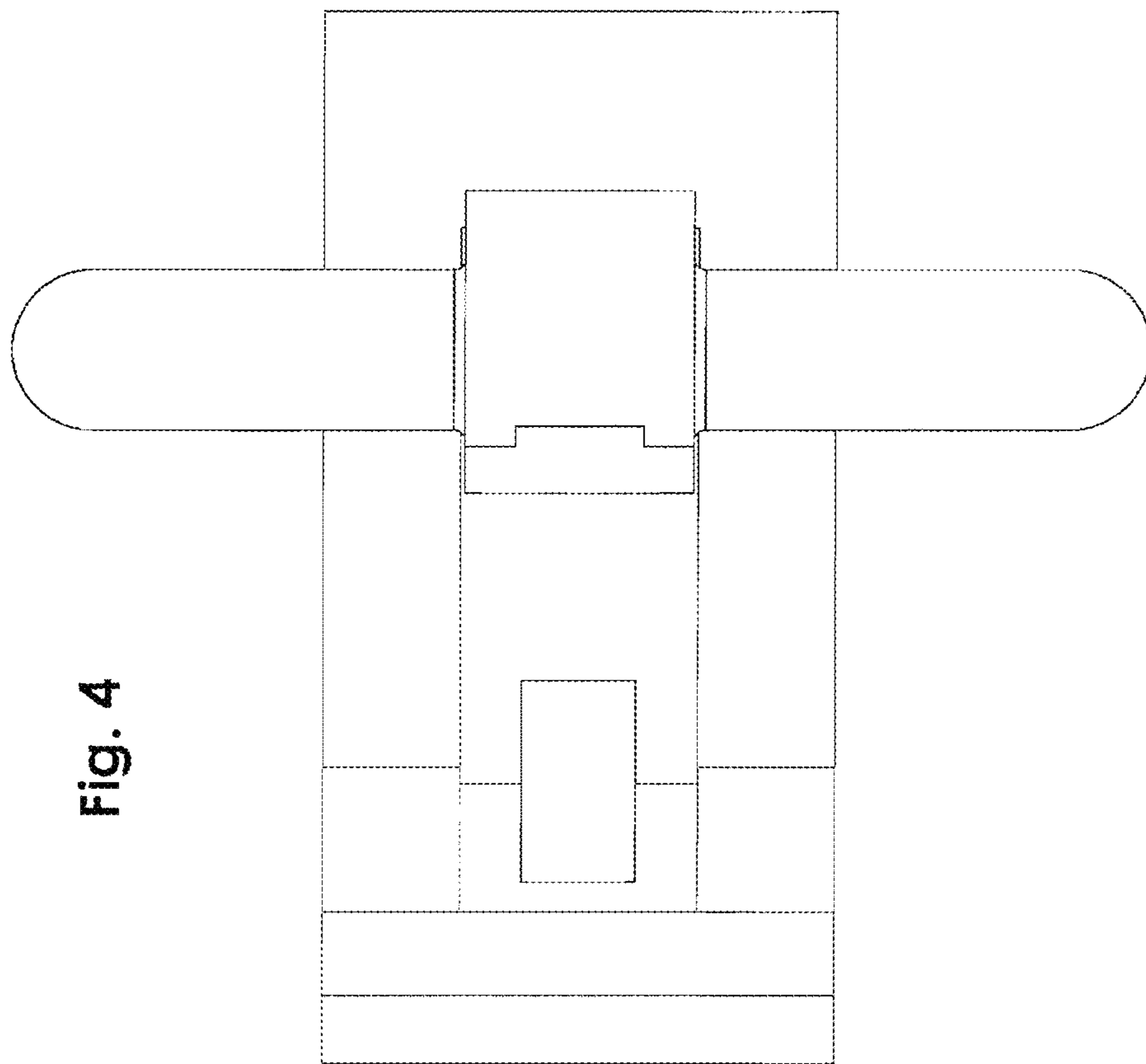


Fig. 4

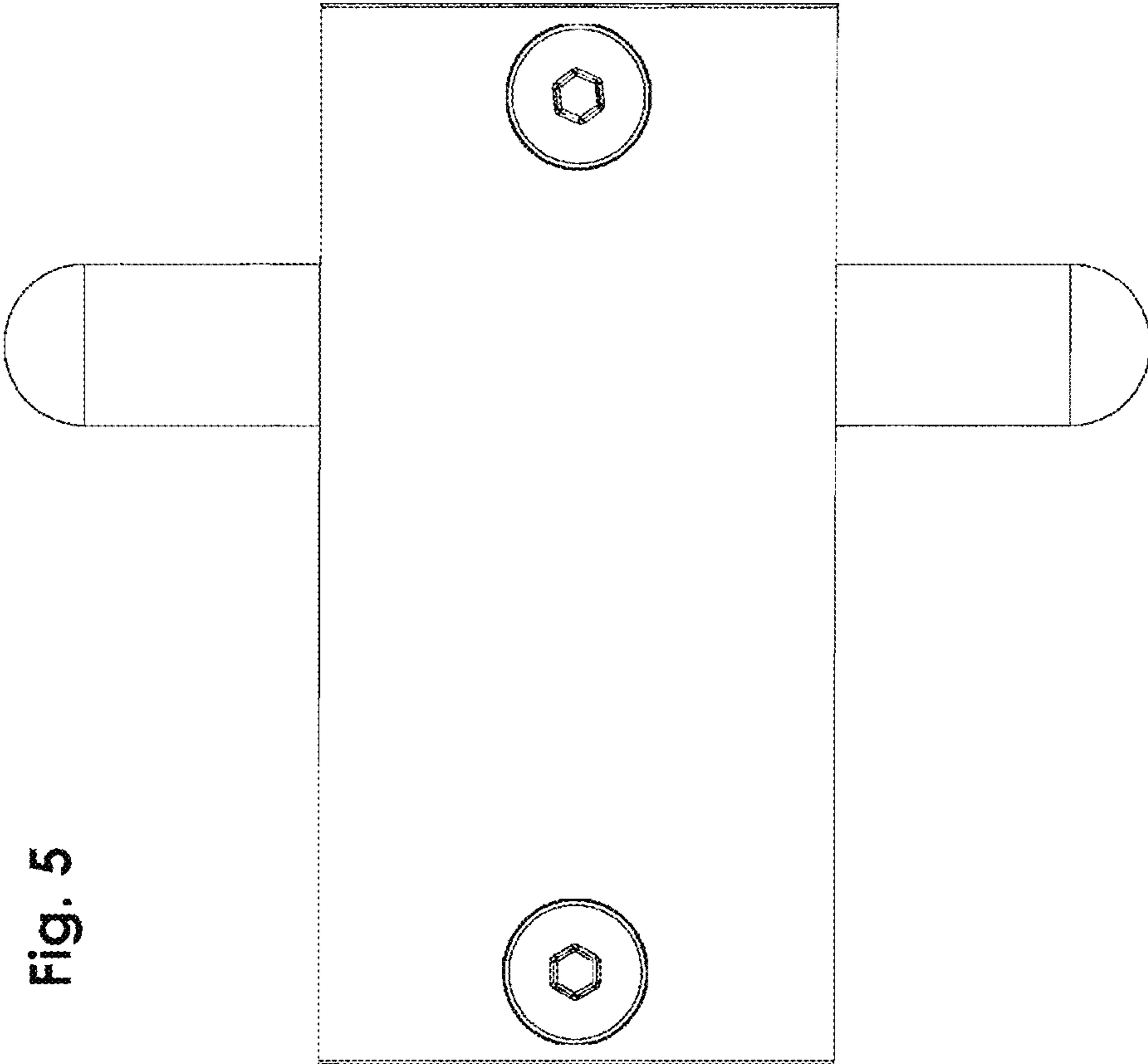


Fig. 5

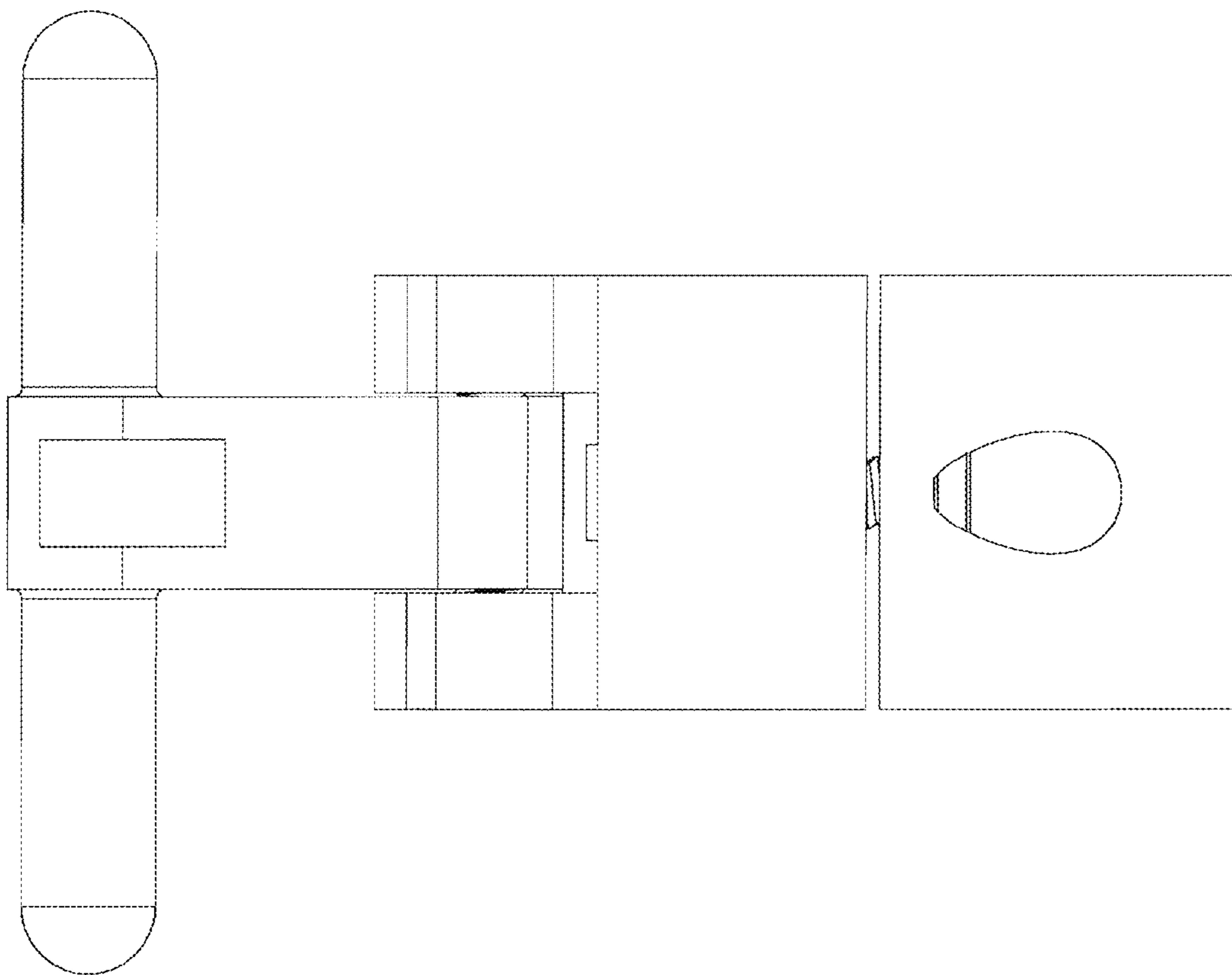


Fig. 6

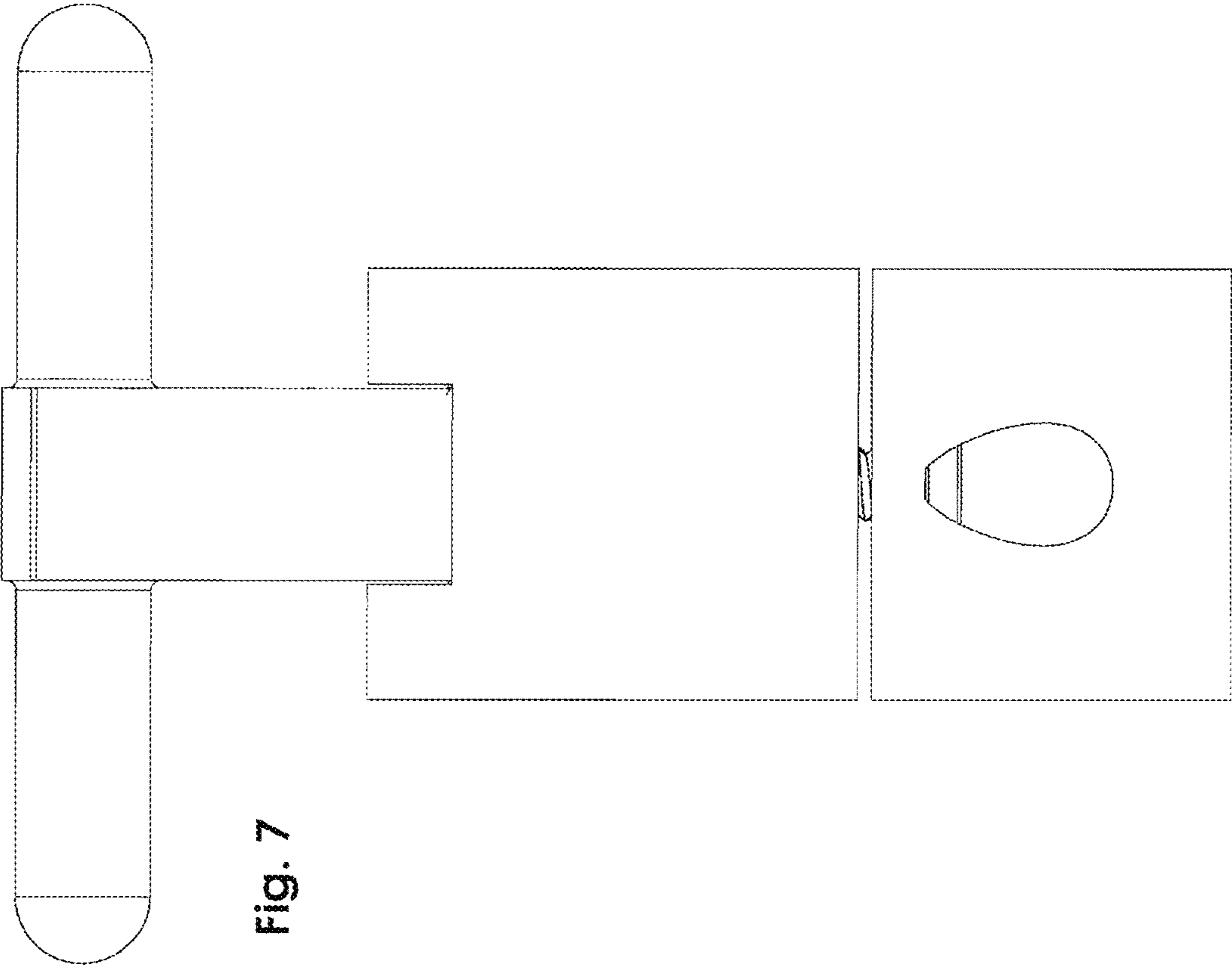


Fig. 7

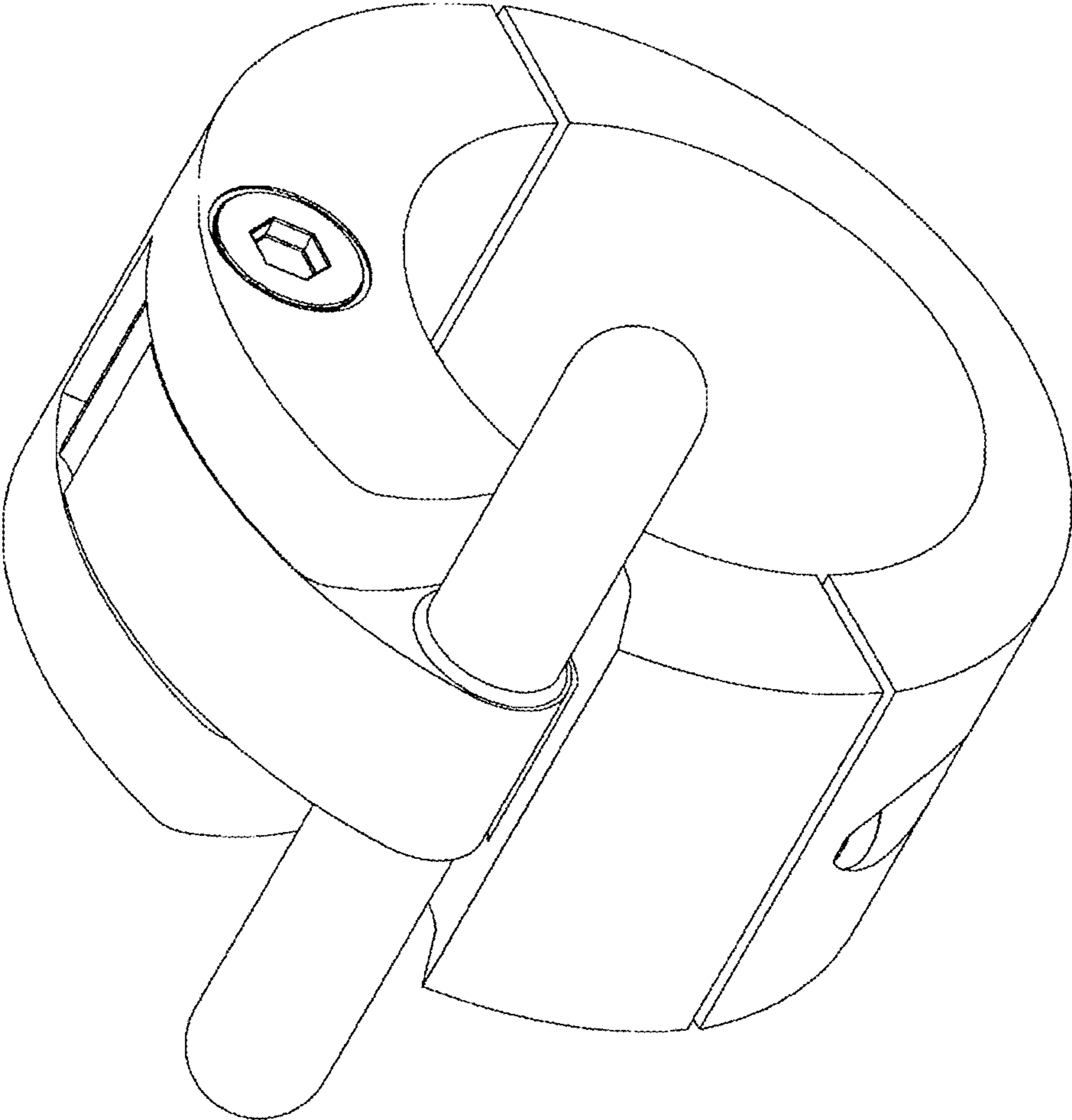


Fig. 8

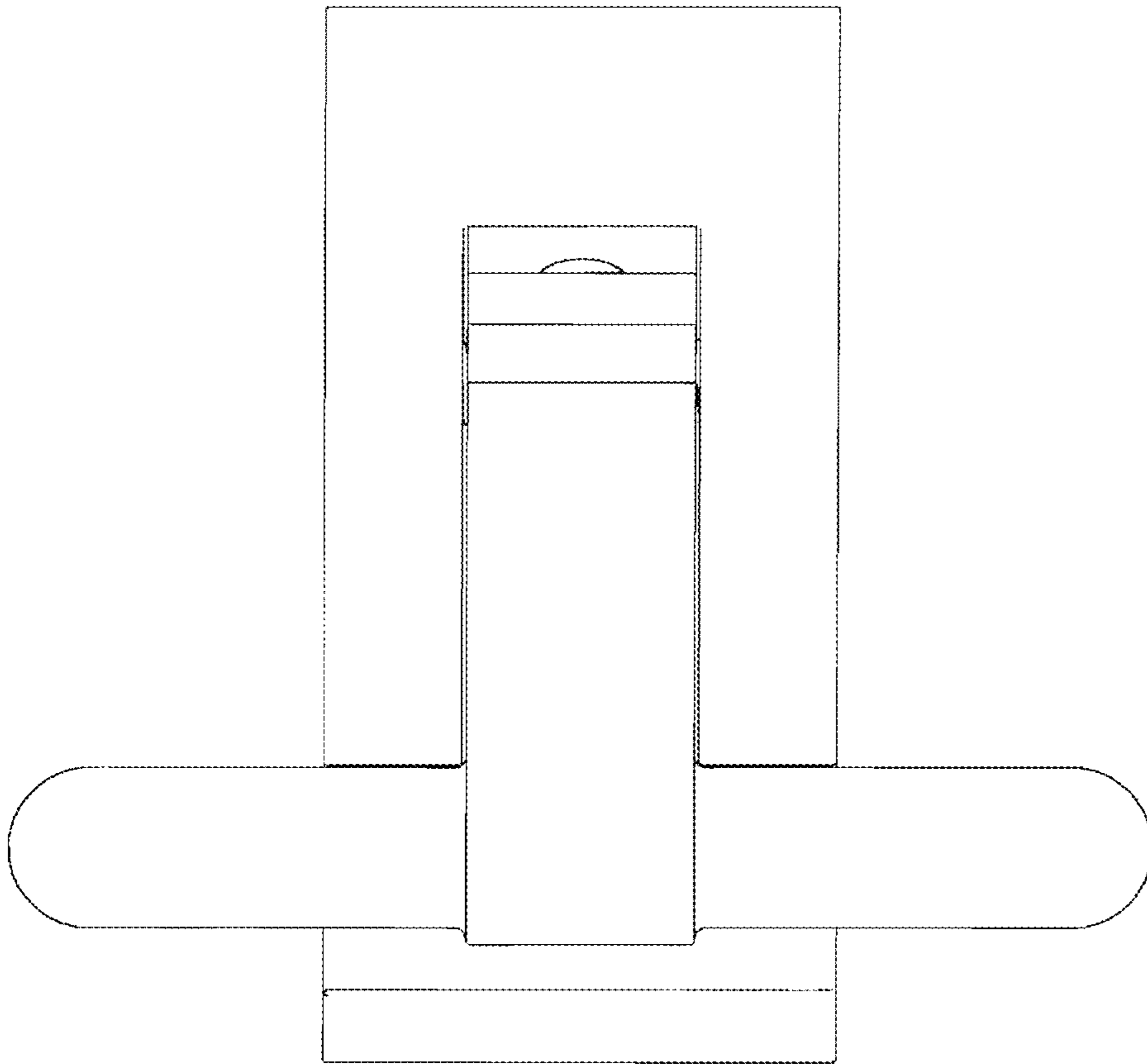


Fig. 9

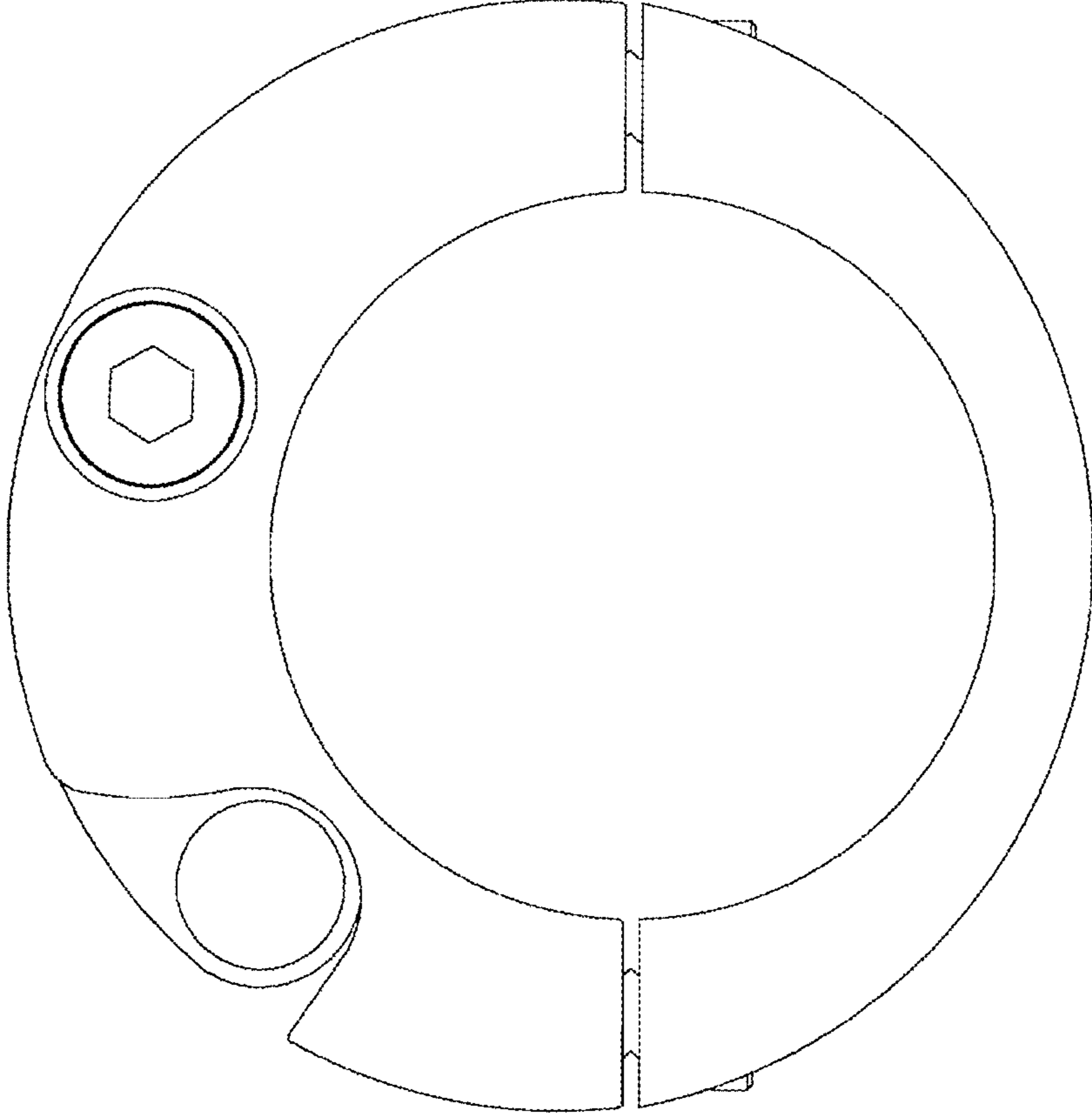


Fig. 10

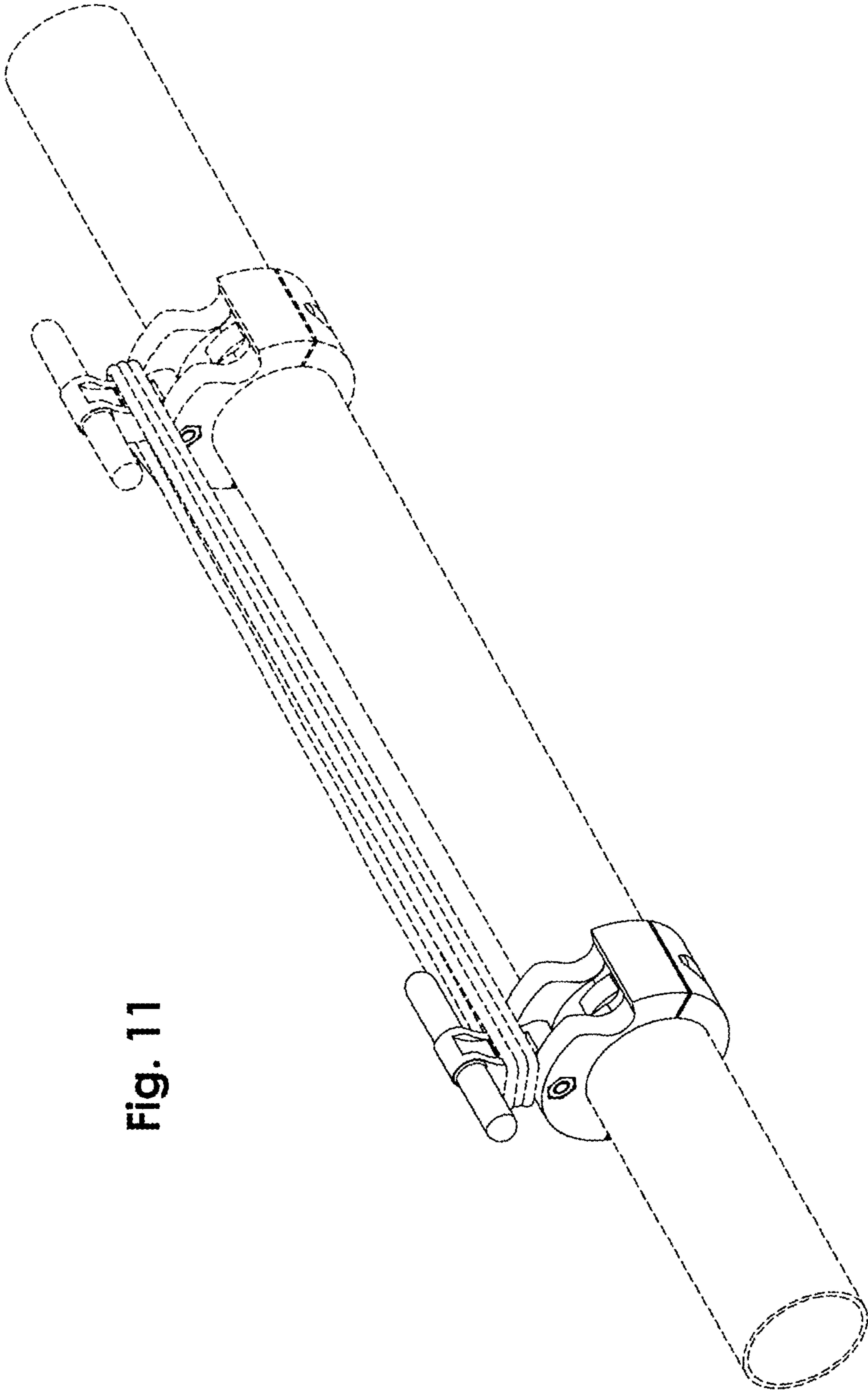


Fig. 11