



US00D814272S

(12) **United States Design Patent** (10) **Patent No.:** **US D814,272 S**
Berman (45) **Date of Patent:** **** Apr. 3, 2018**

(54) **CLIP**
(71) Applicant: **True Brands Limited**, Poole (GB)
(72) Inventor: **Lee Berman**, Bournemouth (GB)
(73) Assignee: **True Brands Limited**, Poole (GB)
(**) Term: **15 Years**
(21) Appl. No.: **29/582,136**
(22) Filed: **Oct. 25, 2016**
(51) **LOC (11) Cl.** **08-05**
(52) **U.S. Cl.**
USPC **D8/356**
(58) **Field of Classification Search**
USPC D8/356, 367; D3/208
CPC F16L 3/13; F16L 3/26; A47G 23/0225;
A47G 25/06; A47G 1/16; A47F 5/0846;
D06F 55/00; E04H 17/10; H02G 11/003;
F16B 45/02
See application file for complete search history.

D625,988 S * 10/2010 Chan D8/367
D626,393 S * 11/2010 Ormsbee D8/18
D637,473 S * 5/2011 Mitchell D8/336
D646,556 S * 10/2011 Kelleghan D8/356
D669,764 S * 10/2012 Kelleghan D8/356
D702,106 S * 4/2014 Weinberg D8/356
D762,460 S * 8/2016 Gobbi D8/356
D775,513 S * 1/2017 Kelleghan D8/356
D792,922 S * 7/2017 Benson D17/22
2016/0153487 A1 * 6/2016 Hollinger F16B 45/02
24/376

* cited by examiner

Primary Examiner — Cynthia Underwood
(74) *Attorney, Agent, or Firm* — Thorpe North & Western LLP

(57) **CLAIM**

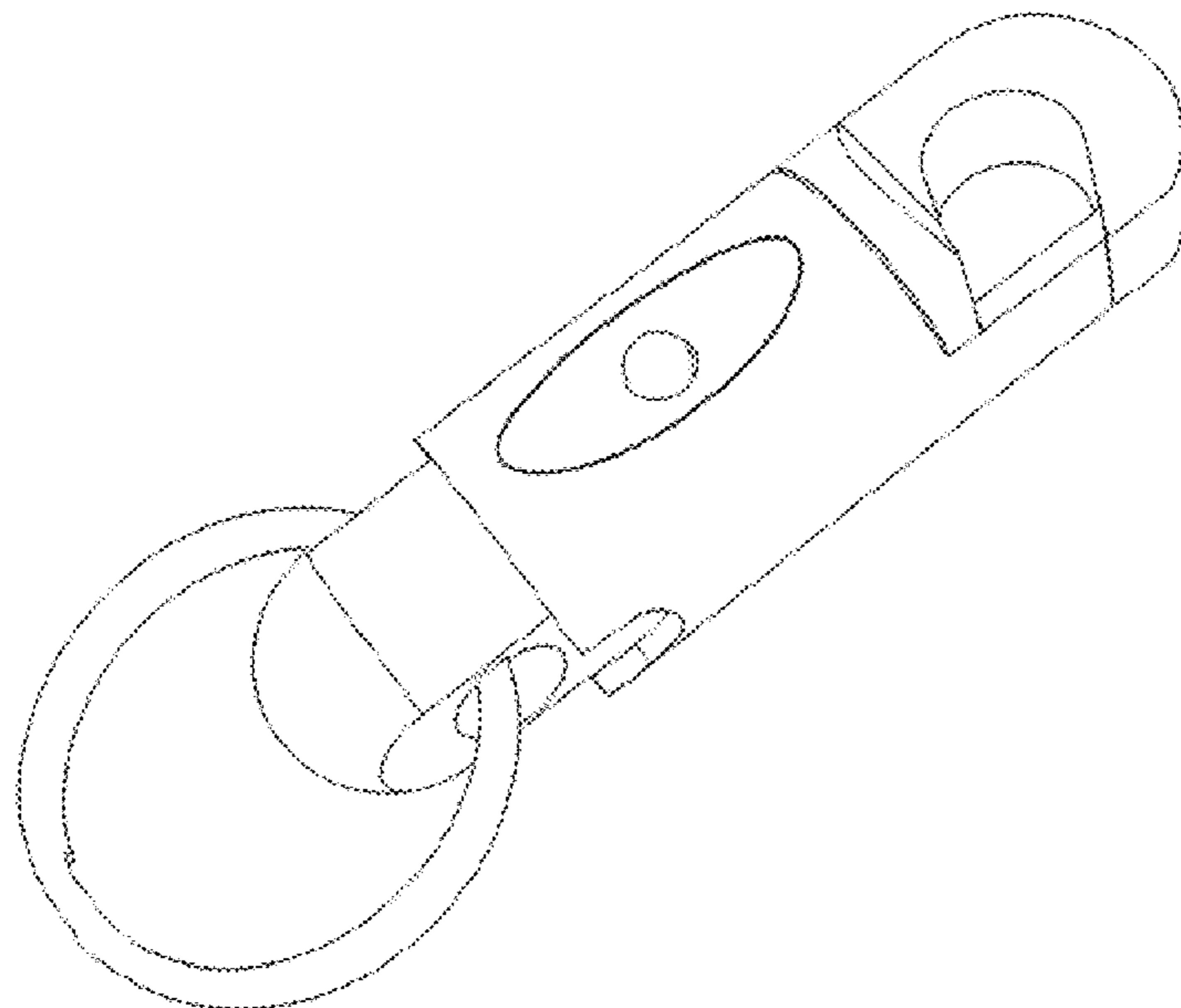
The ornamental design for the clip, as shown and described herein.

DESCRIPTION

FIG. 1 is a side view of a clip in accordance with my invention with a portion of the clip retracted;
FIG. 2 is a top view of the clip with a portion of the clip retracted;
FIG. 3 is a top perspective view of the clip;
FIG. 4 is the side view of the clip of FIG. 1 with the portion of the clip extended;
FIG. 5 is a perspective top view of the clip with a portion of the clip extended; and,
FIG. 6 is a side view of the clip with a portion of the clip extended.

1 Claim, 3 Drawing Sheets

(56) **References Cited**
U.S. PATENT DOCUMENTS
1,709,235 A * 4/1929 Shaffer F16B 45/02
24/375
D348,214 S * 6/1994 Girardin D8/367
D408,581 S * 4/1999 Barmes D27/163
D443,757 S * 6/2001 Chan D19/89
D564,341 S * 3/2008 Kelleghan D8/356
D577,574 S * 9/2008 Liang D8/356
D607,712 S * 1/2010 Kelleghan D8/356
D608,184 S * 1/2010 Kelleghan D8/356
D608,187 S * 1/2010 Baron D8/367
D624,307 S * 9/2010 Case D3/207



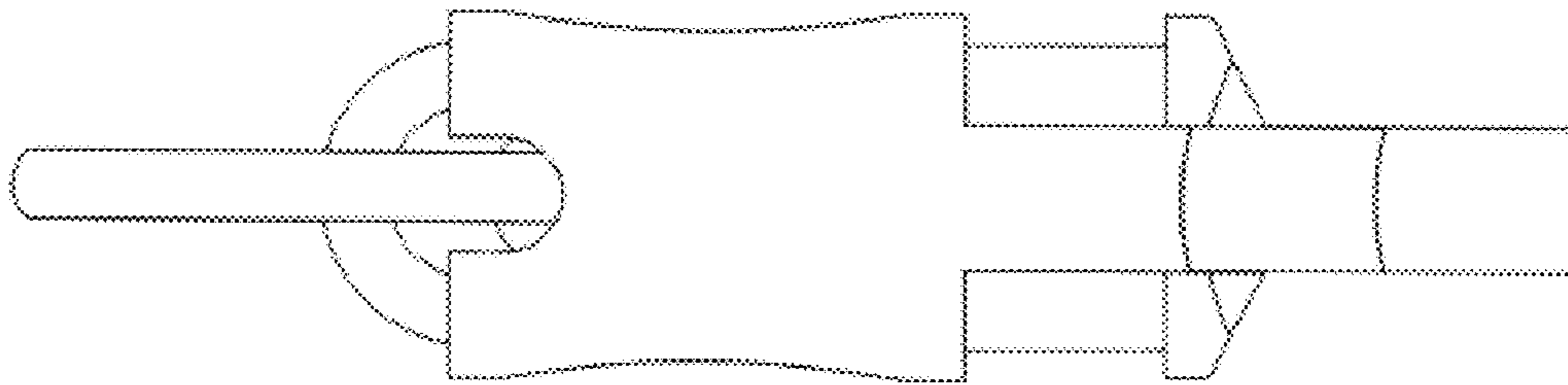


FIG. 1

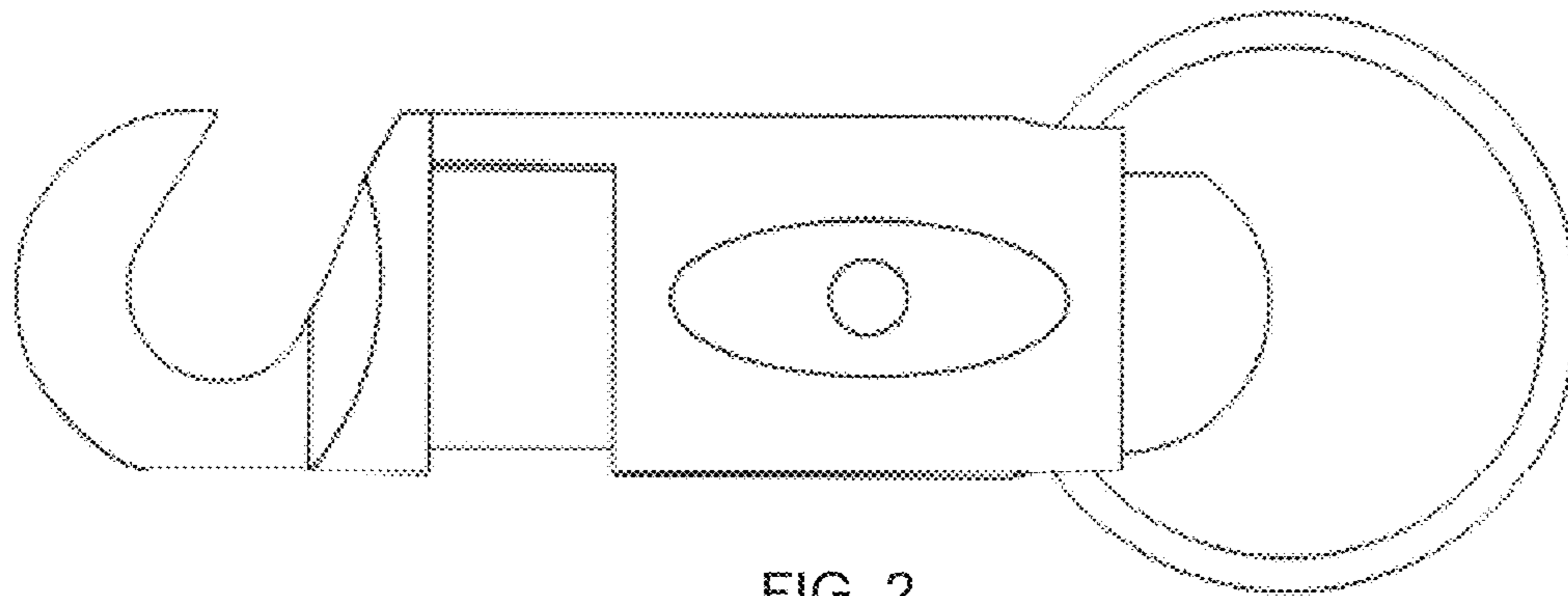


FIG. 2

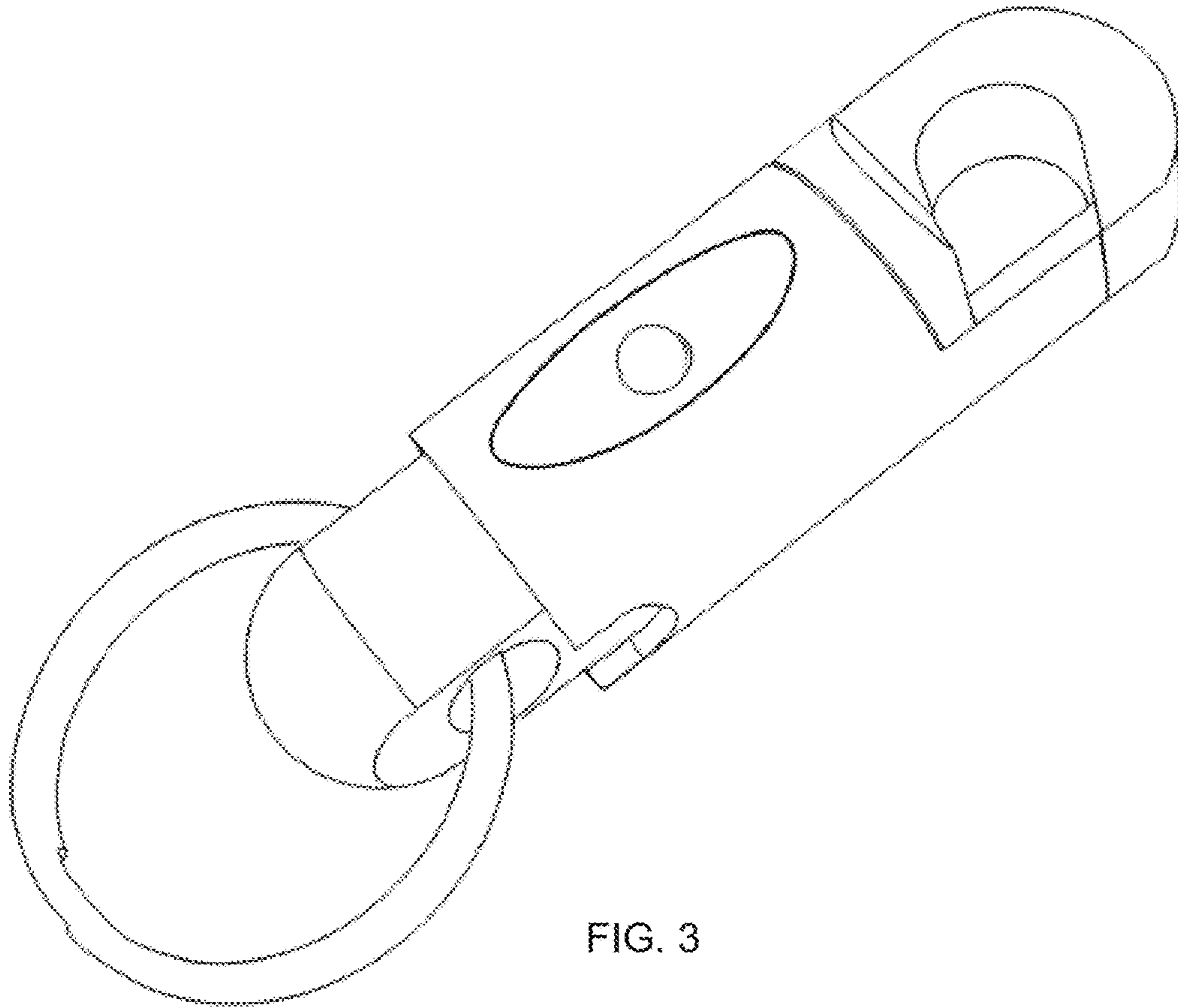


FIG. 3

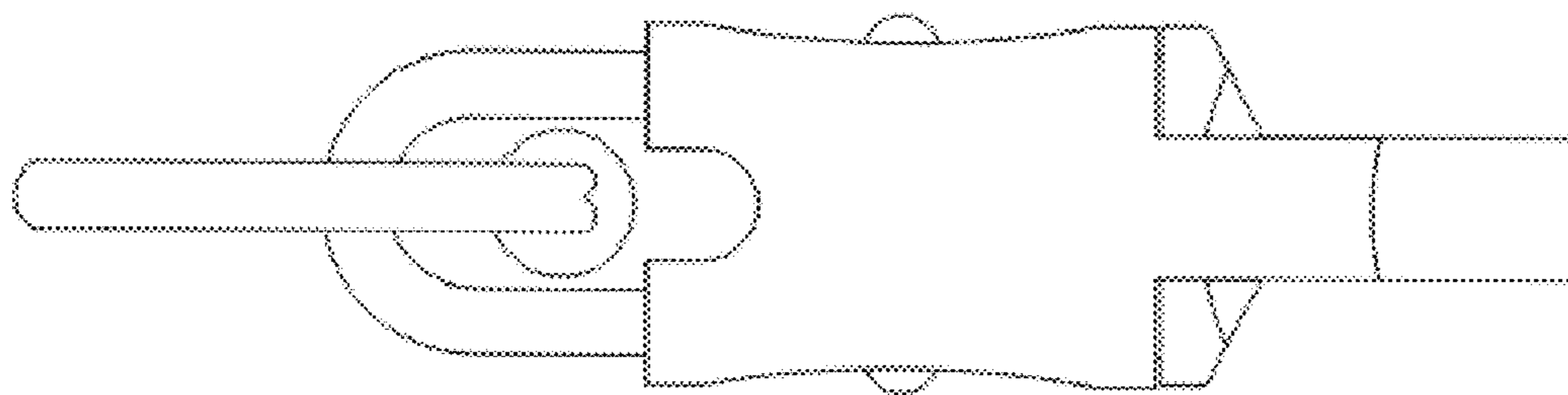


FIG. 4

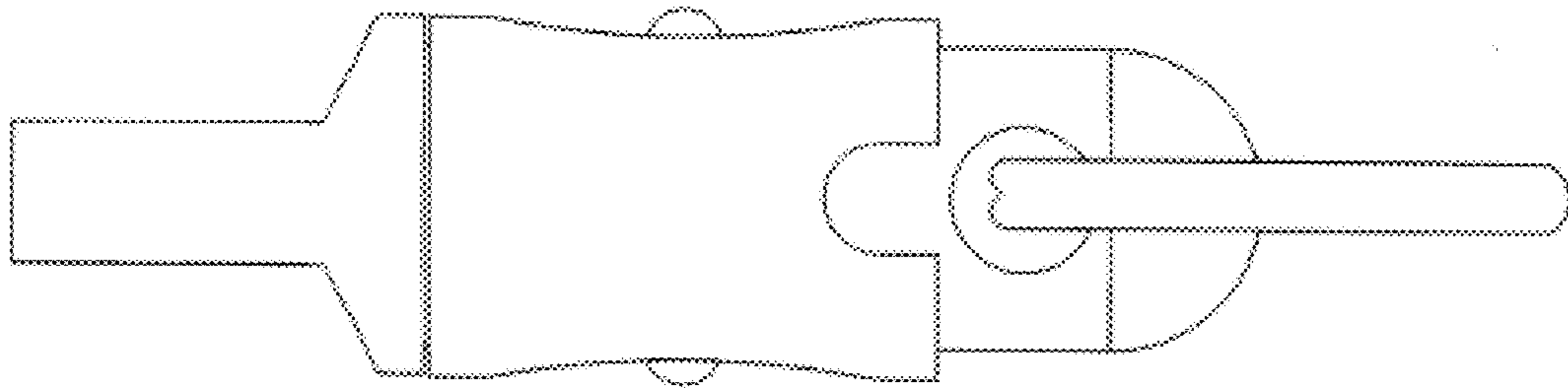


FIG. 5

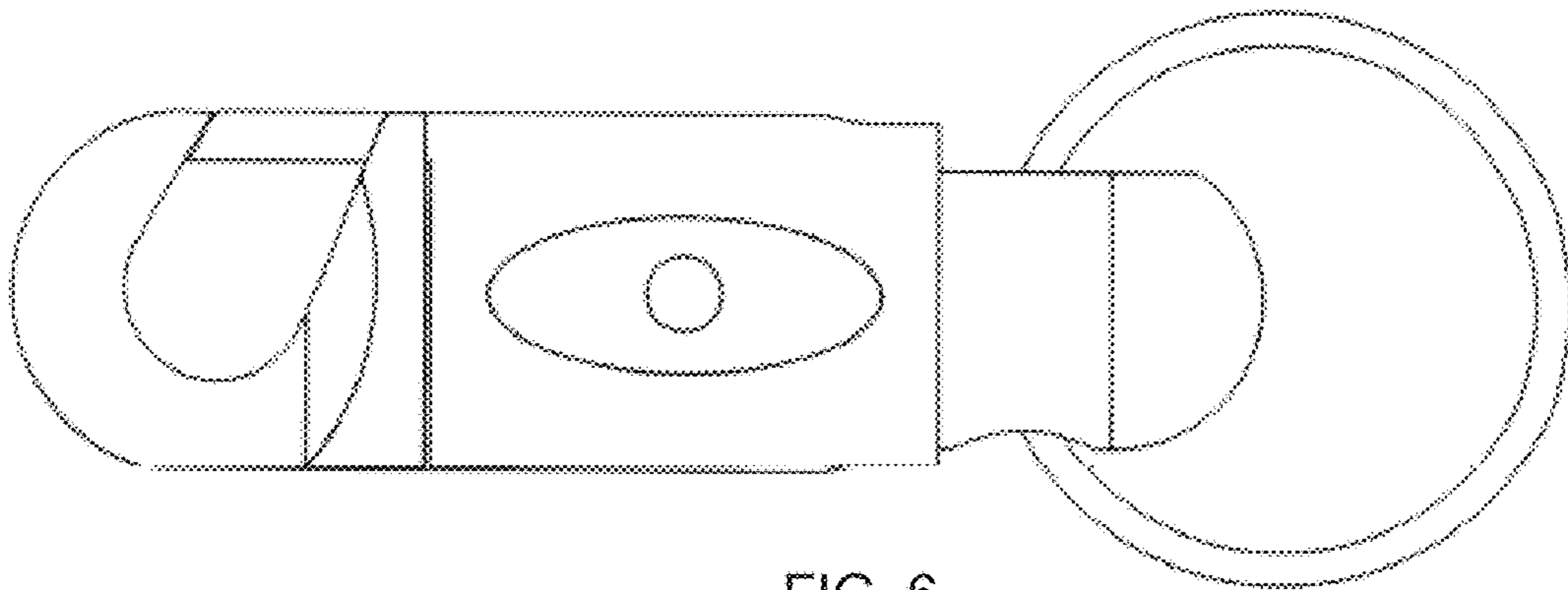


FIG. 6