



US00D814270S

(12) **United States Design Patent**  
**Stoll**

(10) **Patent No.:** **US D814,270 S**  
(45) **Date of Patent:** **\*\* Apr. 3, 2018**

(54) **GARDEN HOSE STORAGE DEVICE**

(71) Applicant: **Chad William Stoll**, Fresno, CA (US)

(72) Inventor: **Chad William Stoll**, Fresno, CA (US)

(\*\*) Term: **15 Years**

(21) Appl. No.: **29/570,109**

(22) Filed: **Jul. 5, 2016**

(51) **LOC (11) Cl.** ..... **09-06**

(52) **U.S. Cl.**

USPC ..... **D8/356**

(58) **Field of Classification Search**

USPC ..... D8/396, 394, 382, 349, 356, 354

CPC ..... H01R 11/11; F16L 23/036; F16L 3/13

See application file for complete search history.

(56) **References Cited**

**U.S. PATENT DOCUMENTS**

D903,538	11/1908	Bowes	
1,018,764 A	2/1912	Howard	
1,073,152 A	9/1913	McClintock	
1,109,346 A	9/1914	McClintock	
1,903,085 A	3/1933	Barnes	
1,942,701 A	1/1934	Hilton	
1,998,068 A	4/1935	Barnes	
D245,556 S *	8/1977	Meyer	D30/154
D263,903 S *	4/1982	Johnston	D23/217
4,624,429 A *	11/1986	Miyazaki	F16L 3/1222 248/27.1
4,903,922 A	2/1990	Harris	
D358,979 S *	6/1995	Reid	D8/354
D408,269 S *	4/1999	Ross	D8/356
6,708,934 B2 *	3/2004	Brueske	B65H 75/366 248/75
D554,979 S *	11/2007	Hsu	D8/356
D670,025 S *	10/2012	Touzjian	D27/194
8,632,037 B1 *	1/2014	Rael	F16L 3/003 248/534
D756,756 S *	5/2016	Kuehn	D8/367

D763,665 S \* 8/2016 Hallare ..... D8/356  
D764,023 S \* 8/2016 Woodard ..... D23/223  
2009/0272857 A1 11/2009 Harding

**OTHER PUBLICATIONS**

Contemporary Deck-Mount Tub Faucet and Hand Shower—Lever Handles, retrieved from <http://www.signaturehardware.com> on Jun. 14, 2016.

Garden Wall Mountable Water Hose Holder Spray Nozzle Hanger Organizer, retrieved from <http://www.aliexpress.com> on Jun. 29, 2016.

Wall Mount Water Hose Holder, retrieved from <http://www.bluelakebrands.com> on Jun. 29, 2016.

(Continued)

*Primary Examiner* — Cynthia Underwood

(74) *Attorney, Agent, or Firm* — Marcus N. DiBuduo;  
John R. Aaron

(57) **CLAIM**

I claim the ornamental design for a garden hose storage device, as shown and described.

**DESCRIPTION**

FIG. 1 is a side view of a garden hose storage device in accordance with the present invention;

FIG. 2 is a top view of the device of FIG. 1;

FIG. 3 is a bottom view of the device of FIG. 1;

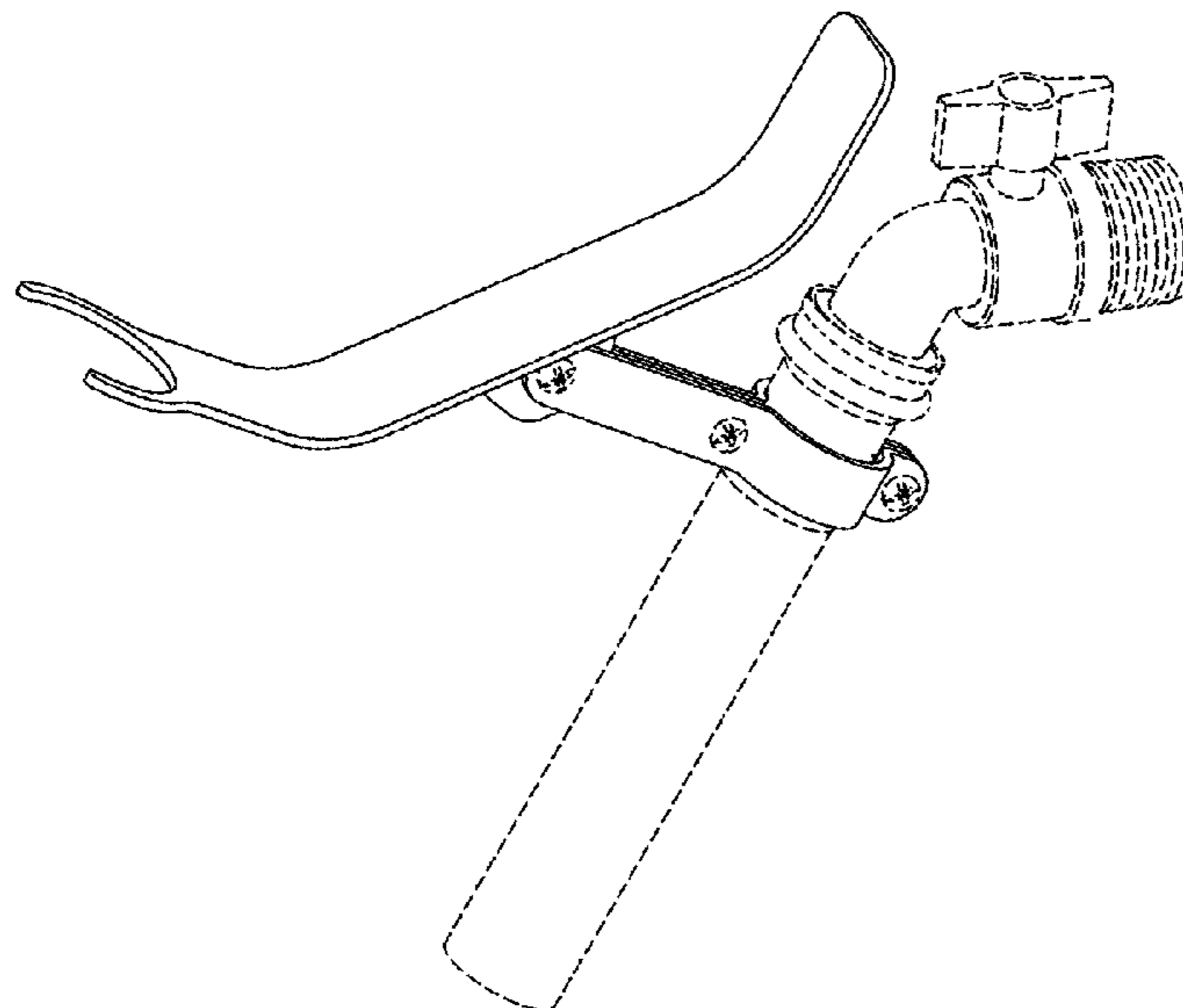
FIG. 4 is a top perspective view of the device of FIG. 1; and,

FIG. 5 is a bottom perspective view of the device of FIG. 1.

The broken line showing of the hose, the hose fitting, the spigot, the nuts, bolts and washers is included for the purpose of illustrating environment and forms no part of the claimed design.

The article is not limited to the scale shown herein.

**1 Claim, 5 Drawing Sheets**



(56)

**References Cited**

OTHER PUBLICATIONS

Metal Hose Hanger, retrieved from <http://www.walmart.com> on Jun. 29, 2016.

Garden Hose Holder, retrieved from <http://www.alibaba.com> on Jun. 29, 2016.

Miscellaneous hose holder, photographs taken Jun. 18, 2016.

\* cited by examiner

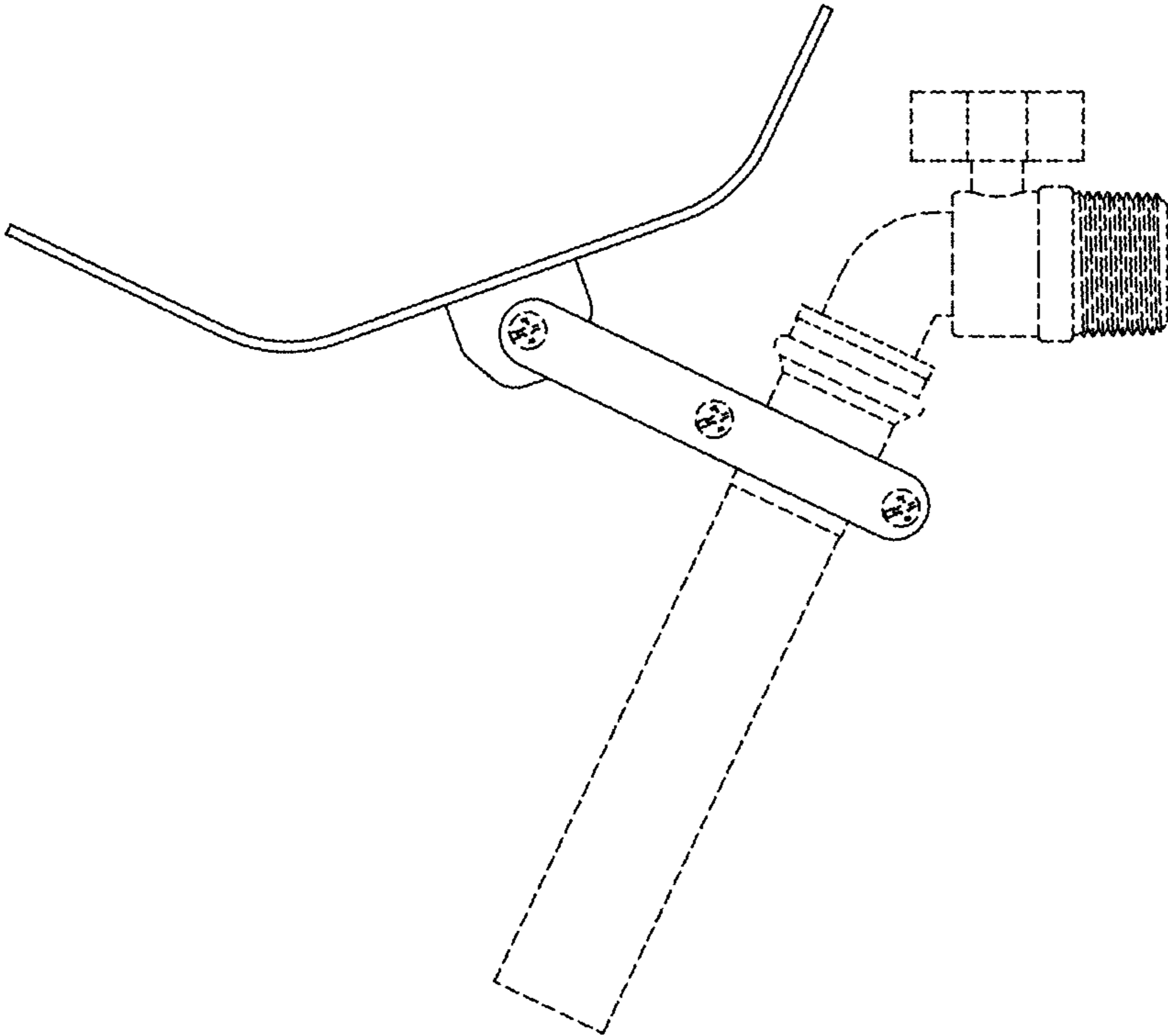


FIG. 1

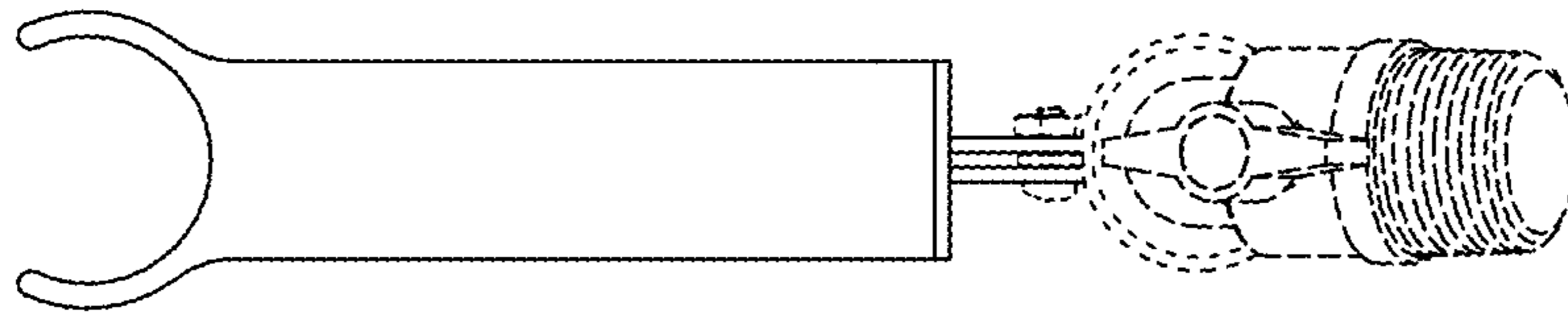


FIG. 2

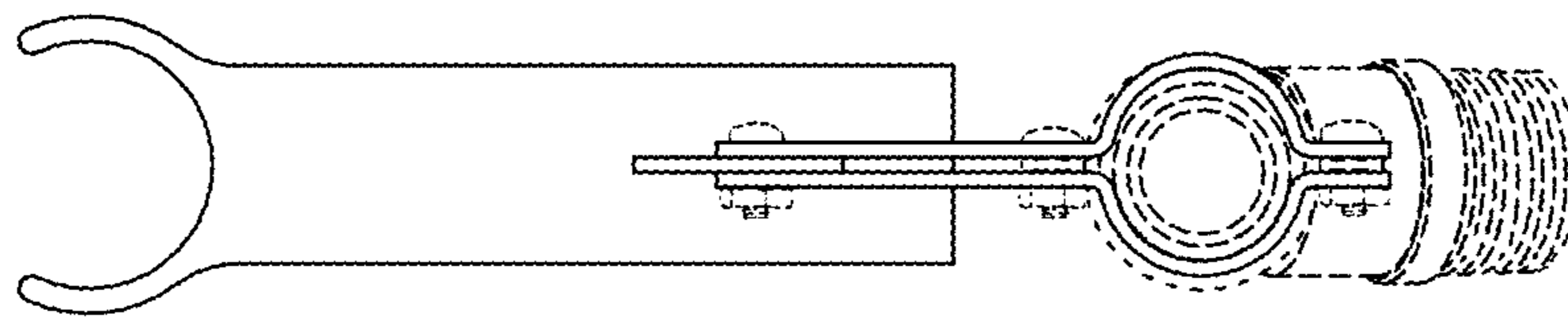


FIG. 3

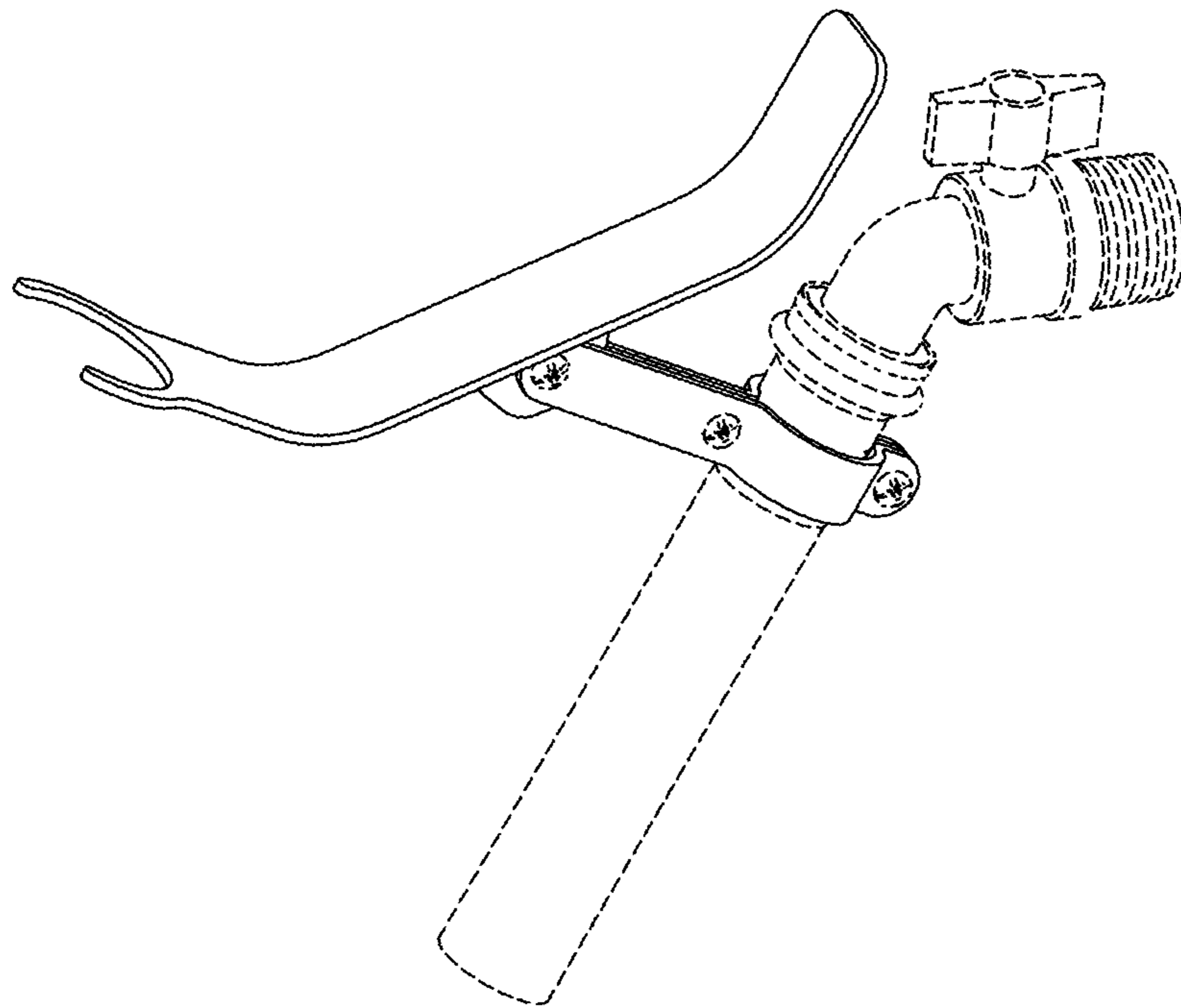


FIG. 4

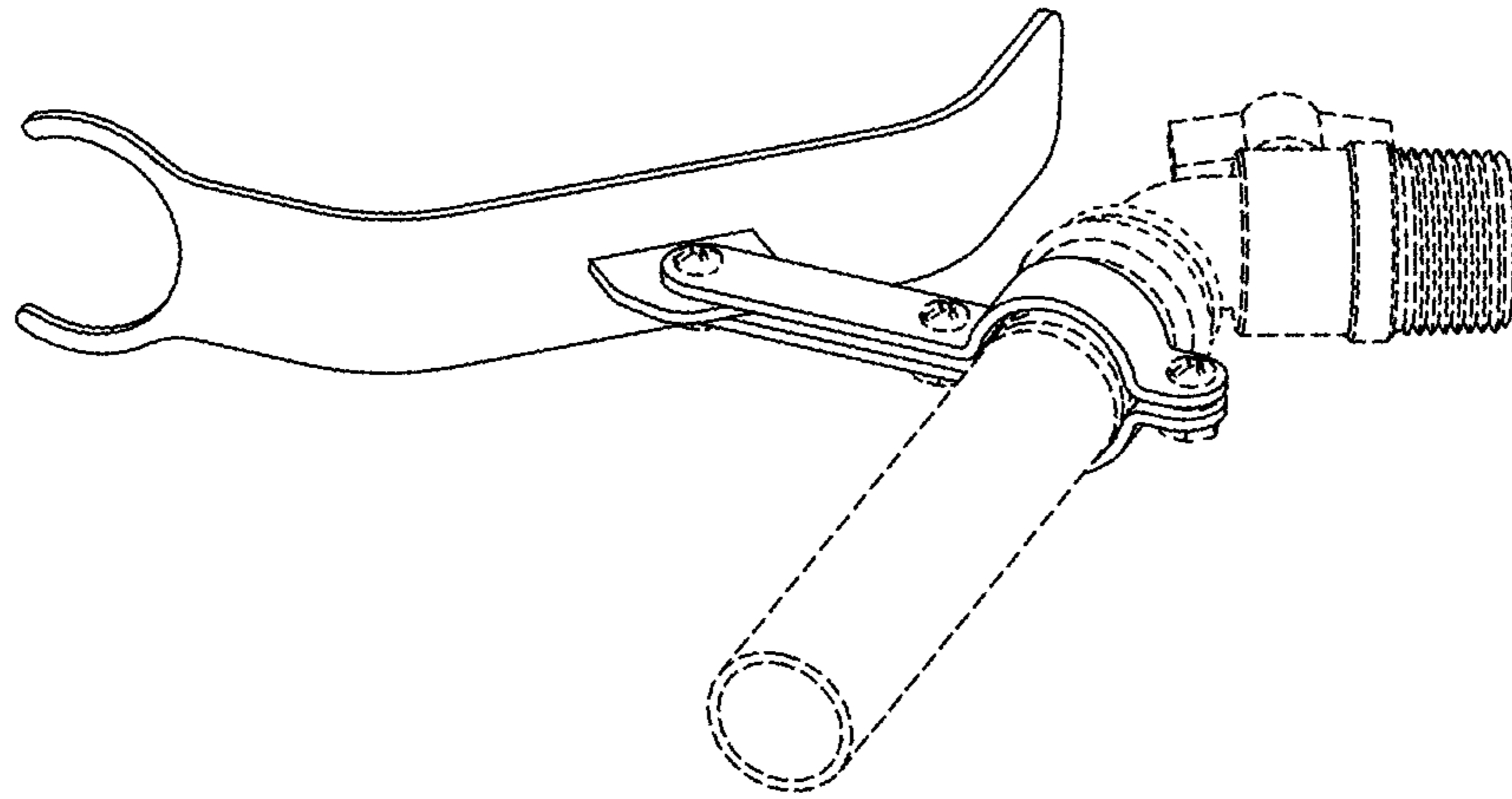


FIG. 5