



US00D814268S

(12) **United States Design Patent**
Reigstad

(10) **Patent No.:** **US D814,268 S**
(45) **Date of Patent:** **** Apr. 3, 2018**

(54) **CAVITY FORMING SLEEVE FOR POST-TENSION CONCRETE SPLICING DEVICE**

(71) Applicant: **REIGSTAD & ASSOCIATES, INC.**,
Saint Paul, MN (US)

(72) Inventor: **Gordon H. Reigstad**, Saint Paul, MN
(US)

(73) Assignee: **REIGSTAD & ASSOCIATES, INC.**,
Saint Paul, MN (US)

(**) Term: **15 Years**

(21) Appl. No.: **29/573,601**

(22) Filed: **Aug. 8, 2016**

(51) **LOC (11) Cl.** **08-05**

(52) **U.S. Cl.**
USPC **D8/354**

(58) **Field of Classification Search**

USPC D8/14, 71, 349, 354, 382, 394, 396, 397,
D8/499; D25/102, 119, 124, 133, 164,
D25/199

CPC ... E04C 5/08; E04C 5/165; E04C 5/18; E04C
5/162; E04B 5/32; E04B 2005/324; E04B
2103/02; F16B 7/182

See application file for complete search history.

(56) **References Cited**

U.S. PATENT DOCUMENTS

D264,682 S *	6/1982	Van Doren	D8/354
D272,125 S *	1/1984	Van Doren	D8/356
D272,987 S *	3/1984	Allen	D8/354
D306,690 S *	3/1990	Bison	D8/373
5,407,109 A *	4/1995	Zuckerman	A47G 25/1435 223/85
D359,817 S *	6/1995	Leveika	D26/138

(Continued)

Primary Examiner — Sandra S Snapp

Assistant Examiner — Ieisha N Price

(74) *Attorney, Agent, or Firm* — Hamre, Schumann,
Mueller & Larson, P.C.

(57) **CLAIM**

The ornamental design for a cavity forming sleeve for post-tension concrete splicing device, as shown and described.

DESCRIPTION

FIG. 1 is a perspective view of a cavity forming sleeve for post-tension concrete splicing device with a top portion and a bottom portion joined;

FIG. 2 is a front elevational view thereof with the top portion and the bottom portion joined, and a rear elevational view is a mirror image of the front elevational view;

FIG. 3 is a left side view thereof with the top portion and the bottom portion joined, and a right side view is a mirror image of the left side view;

FIG. 4 is a top plan view thereof with the top portion and the bottom portion joined;

FIG. 5 is a bottom plan view thereof with the top portion and the bottom portion joined;

FIG. 6 is a perspective view thereof with the top portion and the bottom portion separated;

FIG. 7 is a front elevational view thereof with the top portion and the bottom portion separated, and a rear elevational view is a mirror image of the front elevational view;

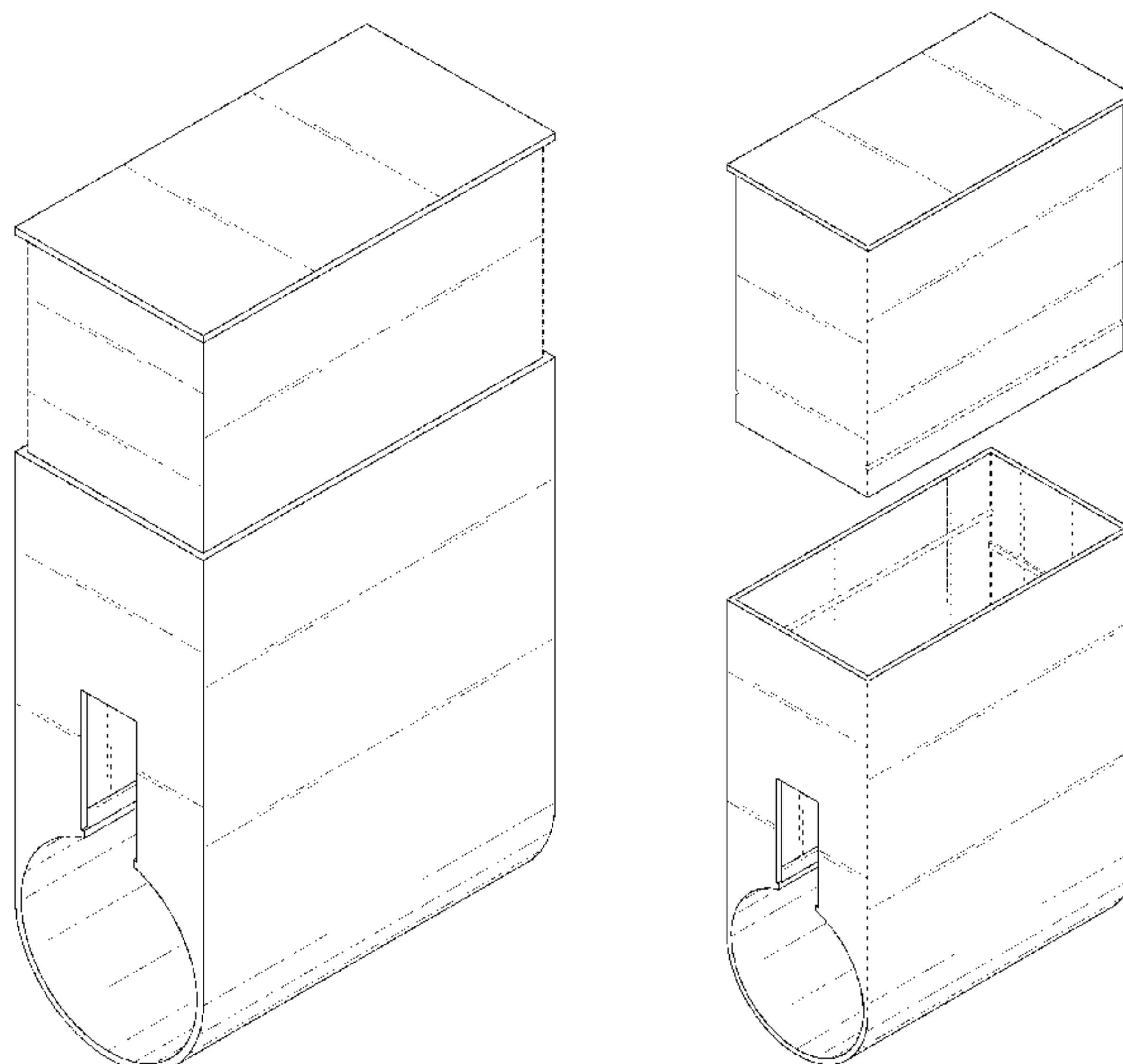
FIG. 8 is a left side view thereof with the top portion and the bottom portion separated, and a right side view is a mirror image of the left side view;

FIG. 9 is a top plan view thereof with the top portion and the bottom portion separated; and,

FIG. 10 is a bottom plan view thereof with the top portion and the bottom portion separated.

The broken lines illustrate environmental subject matter only and form no part of the claimed design. Surface shading lines form no part of the claimed design.

1 Claim, 8 Drawing Sheets



(56)

References Cited

U.S. PATENT DOCUMENTS

D390,101	S *	2/1998	Nygards	D8/395
D408,727	S *	4/1999	Sherman	D8/396
D422,885	S *	4/2000	Marino	D8/354
D424,922	S *	5/2000	Sherman	D8/395
D493,707	S *	8/2004	Rasmussen	D8/394
D571,195	S *	6/2008	Larsen	D8/394
D587,096	S *	2/2009	Smith	D8/354
D588,445	S *	3/2009	Holdsworth	D8/382
D640,536	S *	6/2011	Larsen	D8/394
D691,032	S *	10/2013	Chen	D8/396
D723,262	S *	3/2015	Macmillan	3/10
9,074,715	B2 *	7/2015	Weger	F16L 55/02
D761,101	S *	7/2016	Seo	D8/396
9,404,254	B2 *	8/2016	Reigstad	E04B 5/32
D798,700	S *	10/2017	Byerly	D8/396
2015/0176278	A1 *	6/2015	Reigstad	E04B 5/32 52/223.6
2016/0340902	A1 *	11/2016	Reigstad	E04B 5/023
2017/0204609	A1 *	7/2017	Reigstad	E04C 5/165

* cited by examiner

Fig. 1

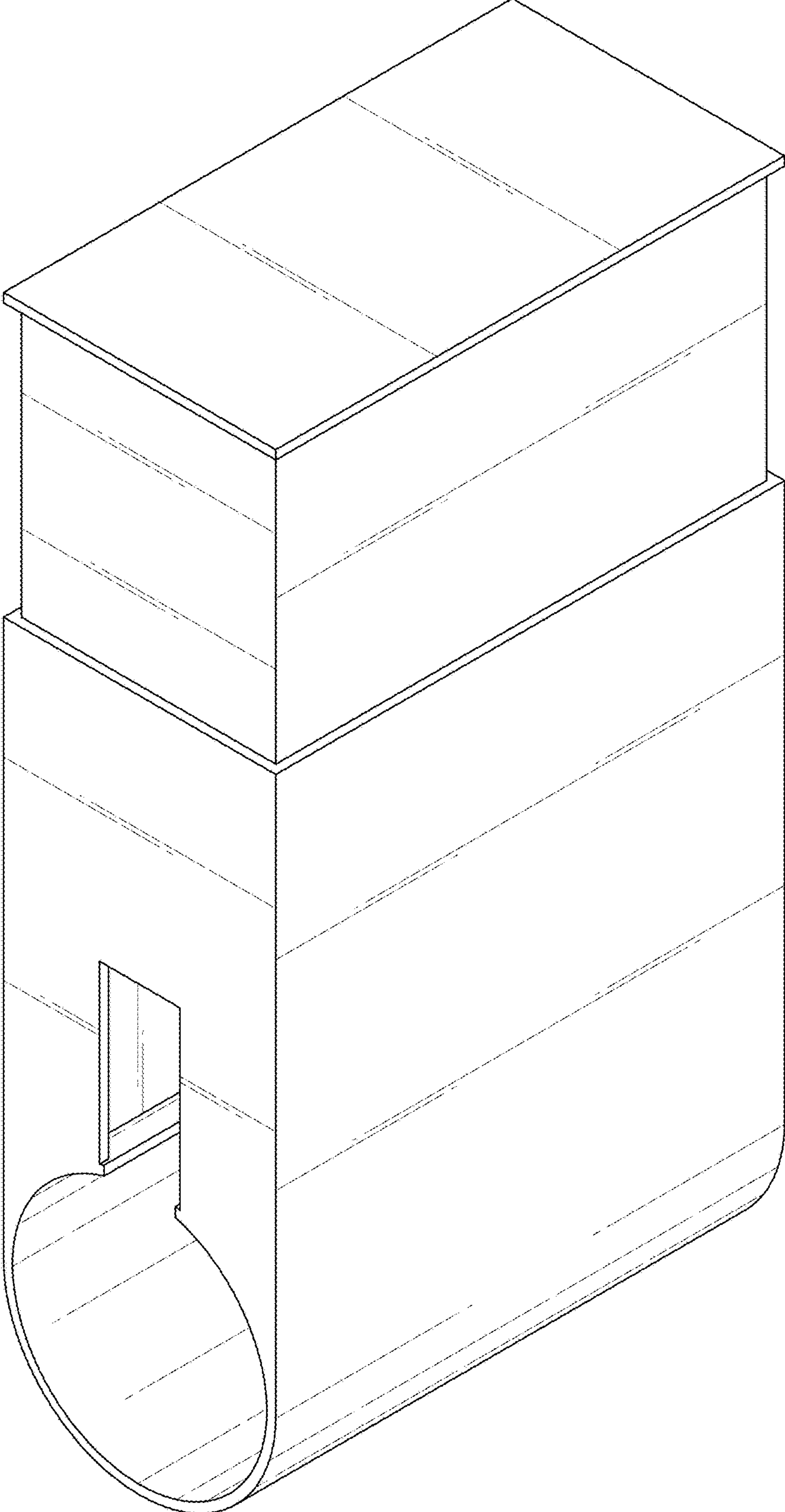


Fig. 2

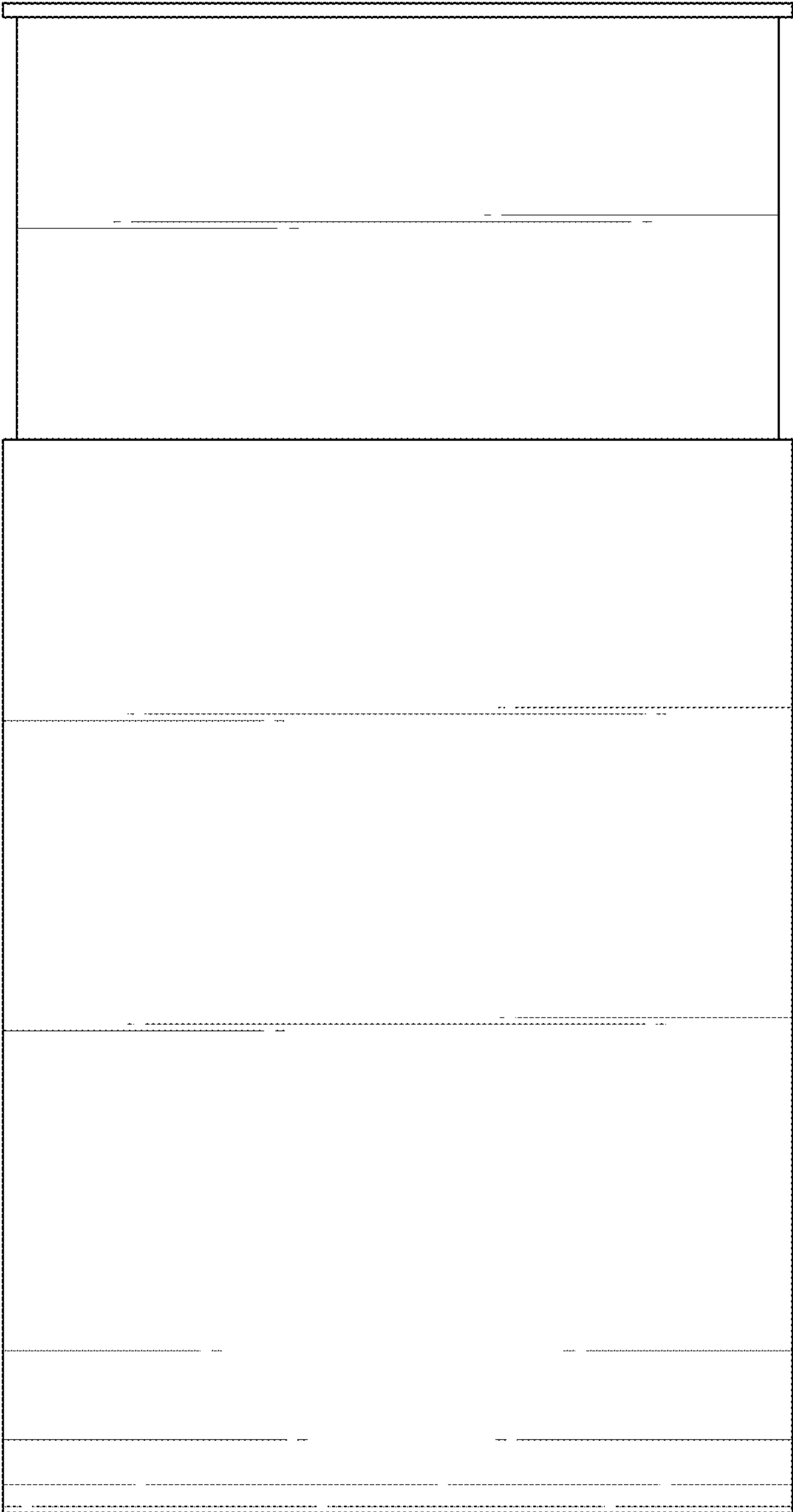


Fig. 3

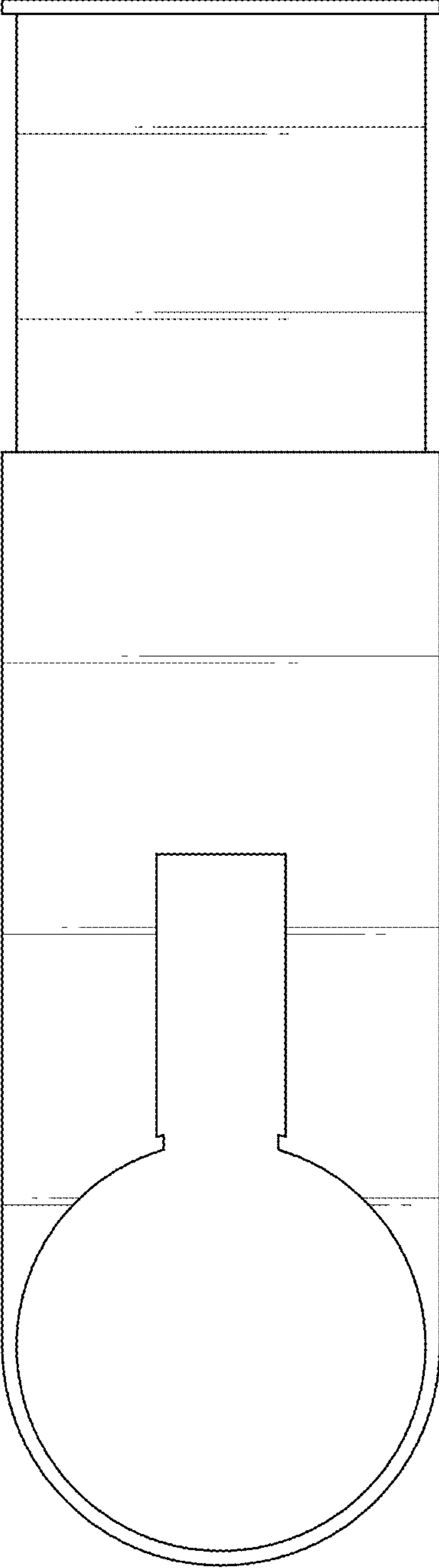


Fig. 4

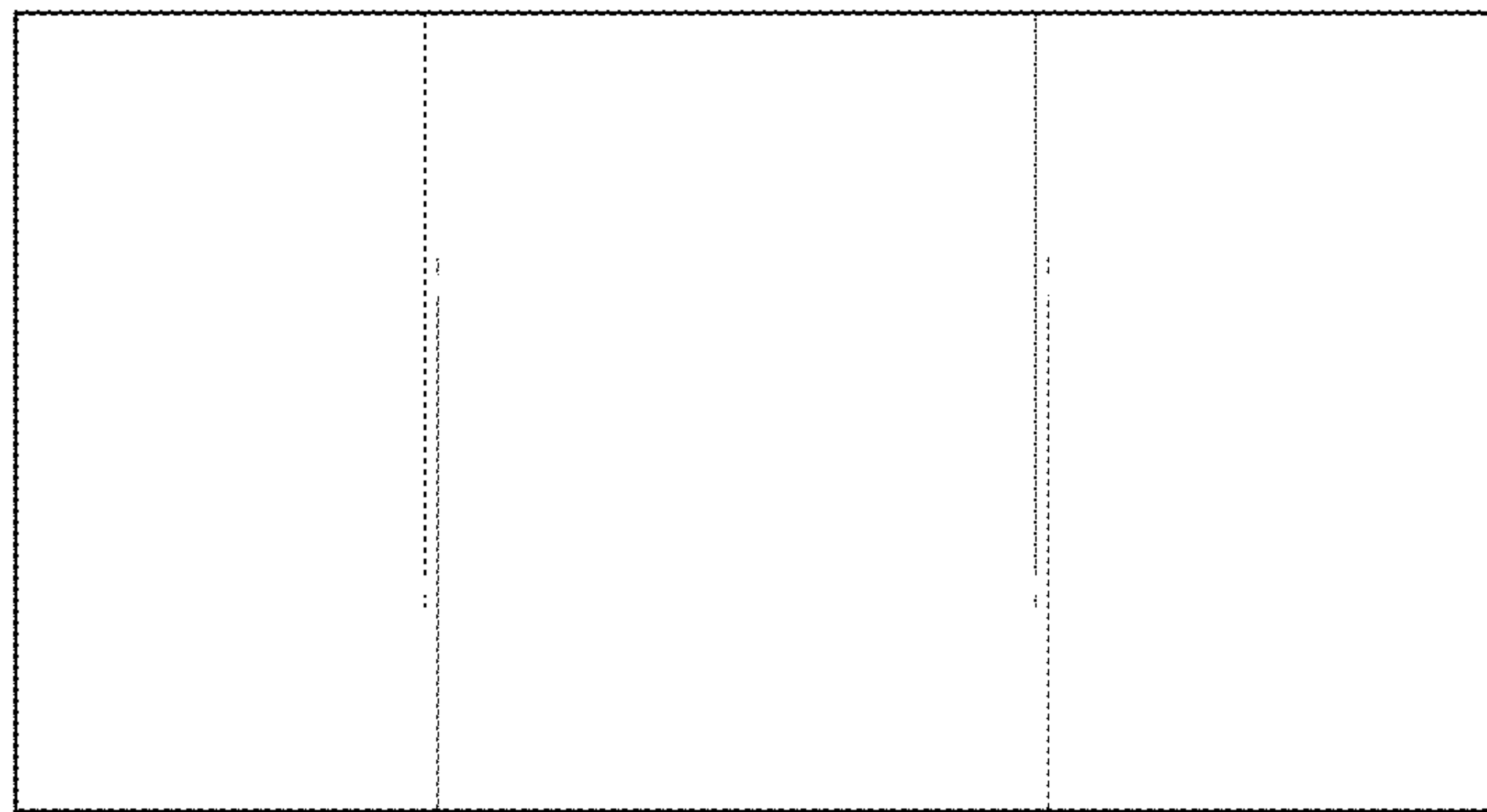


Fig. 5

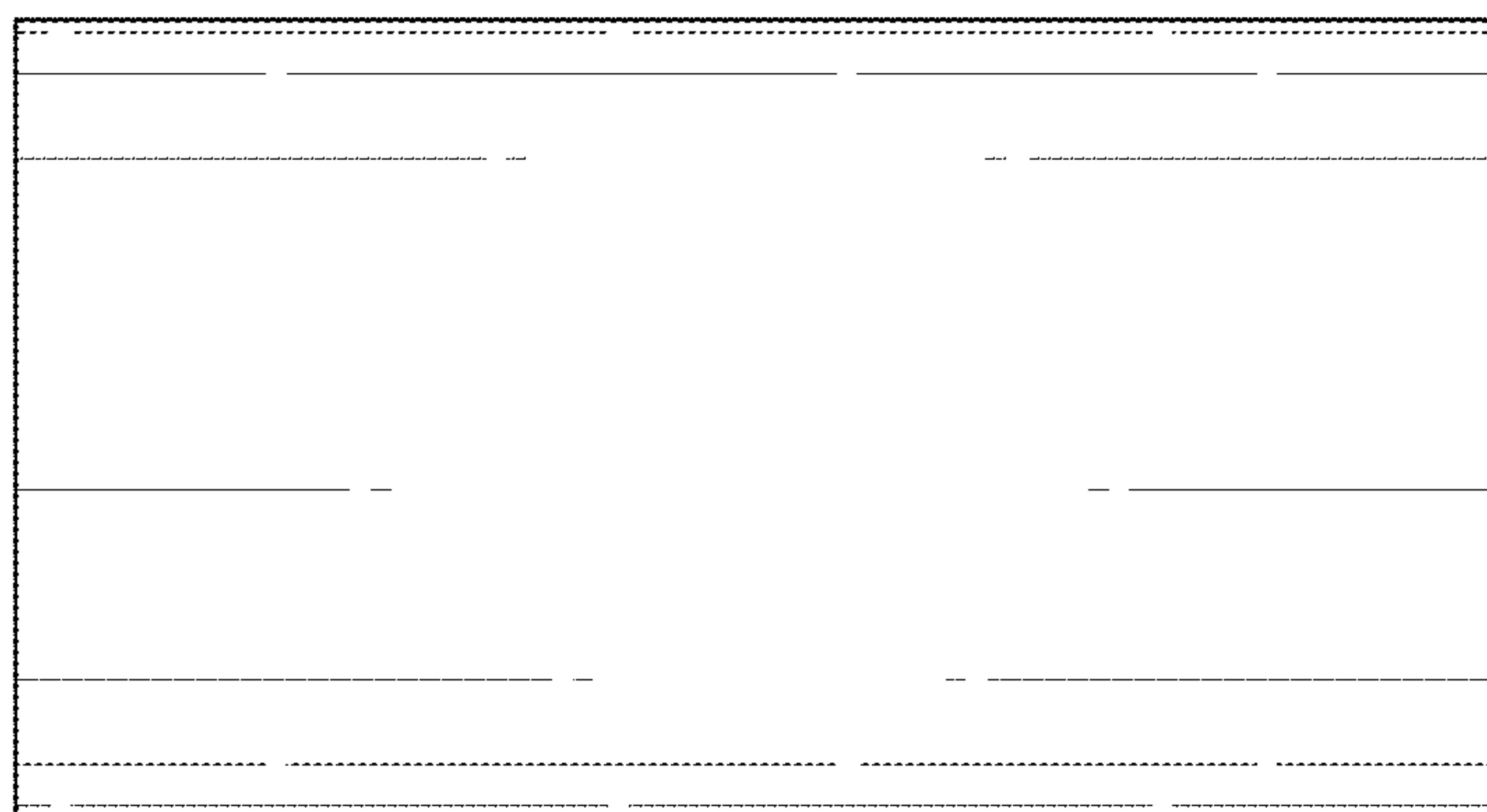


Fig. 6

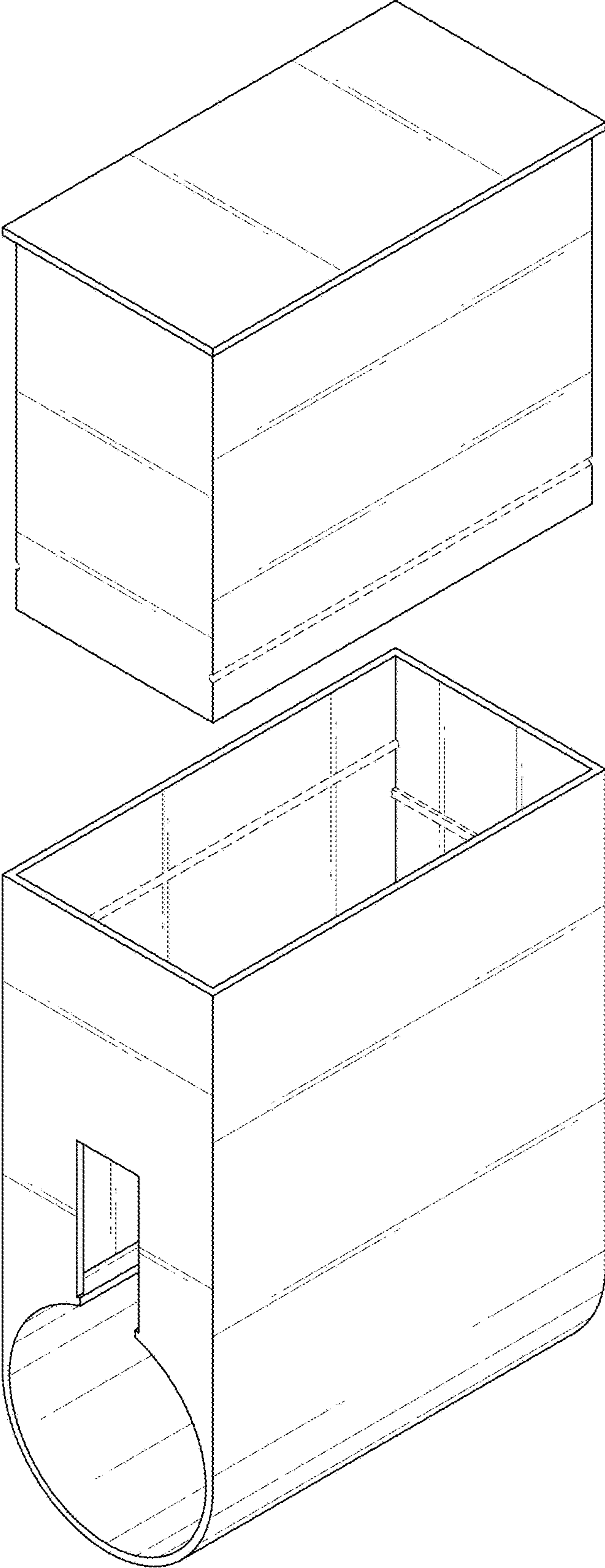


Fig. 7

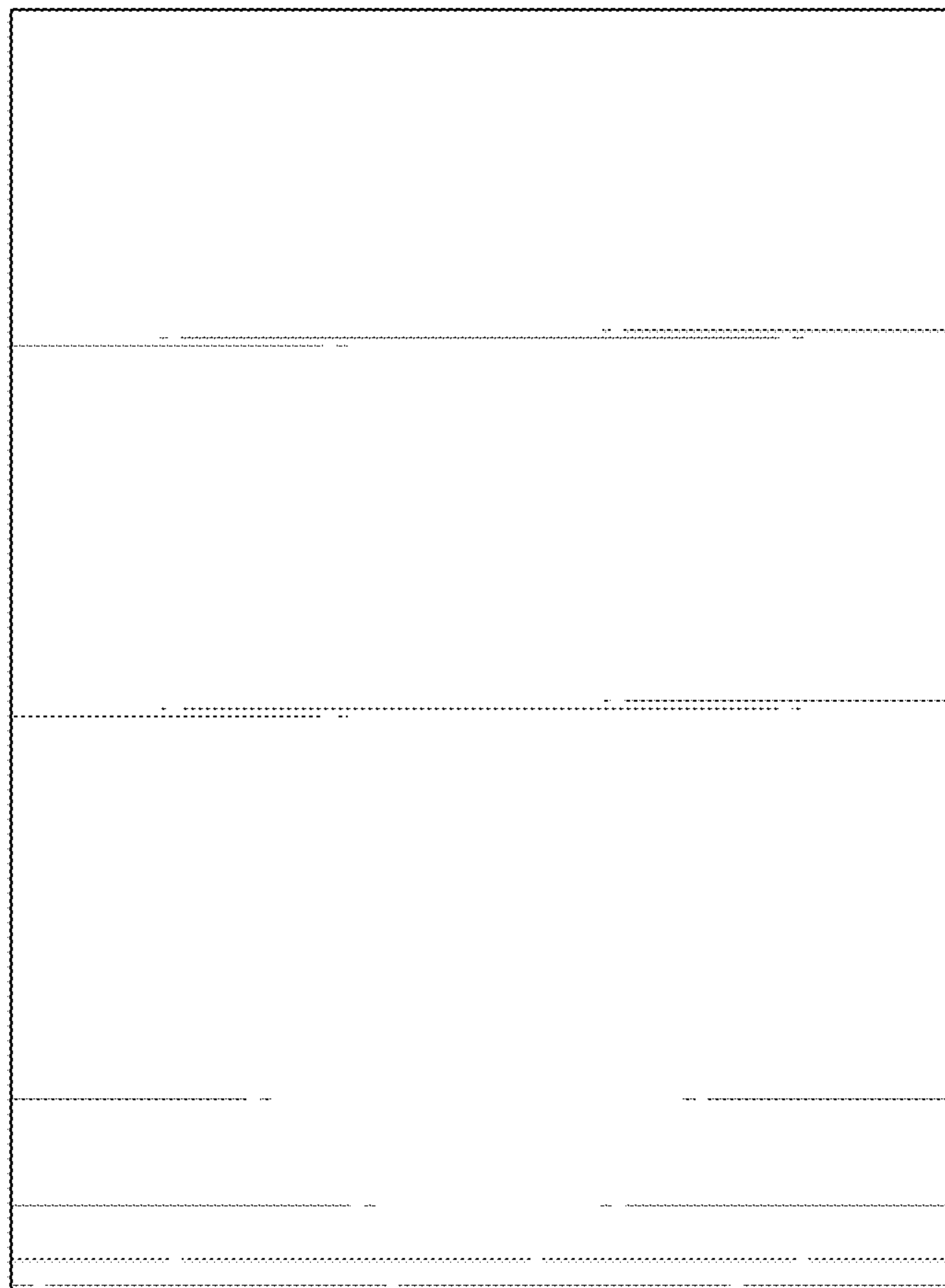
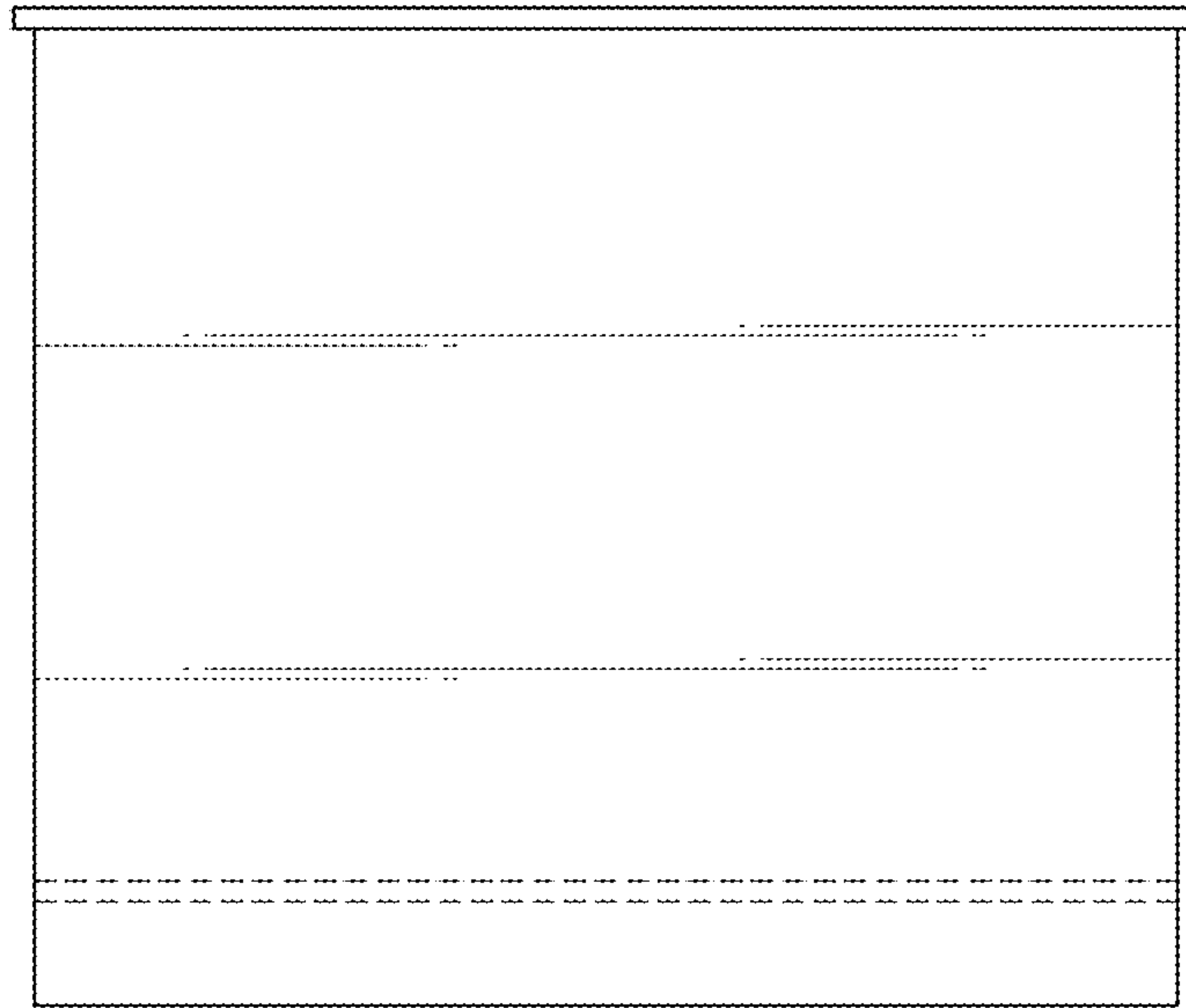


Fig. 8

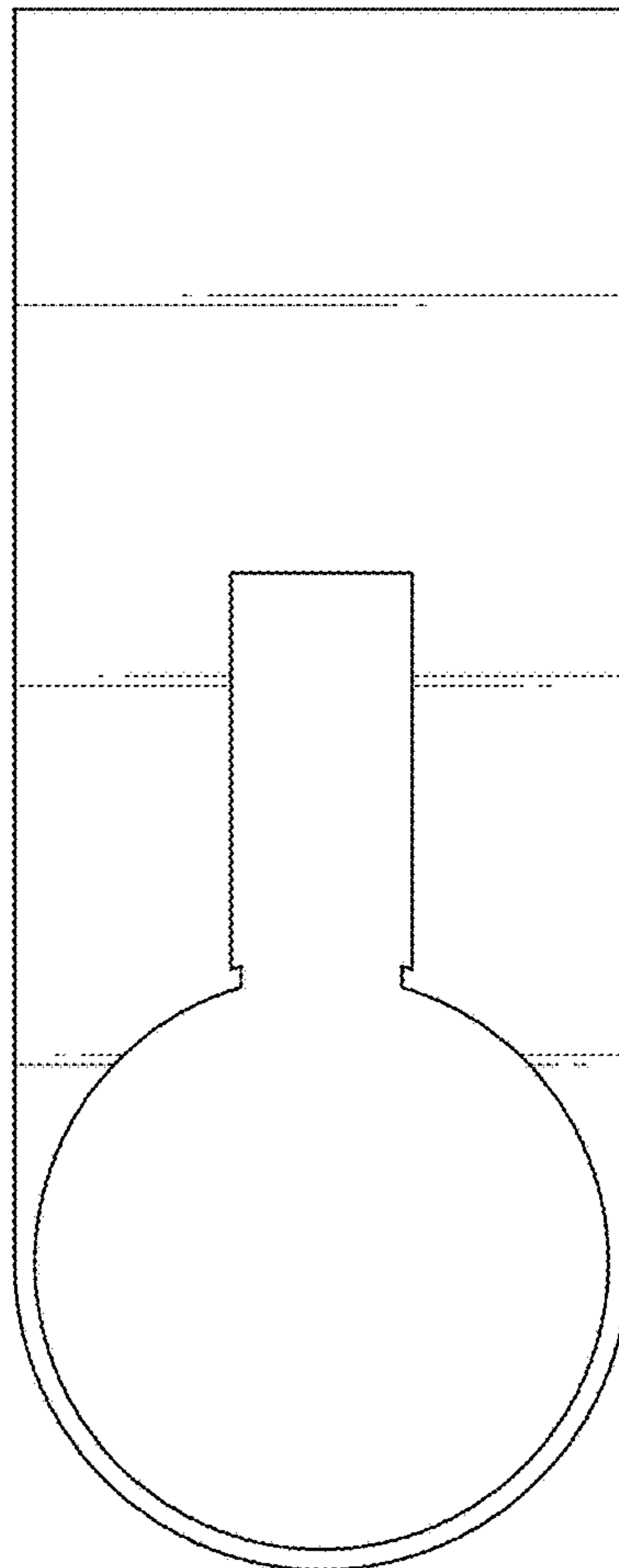
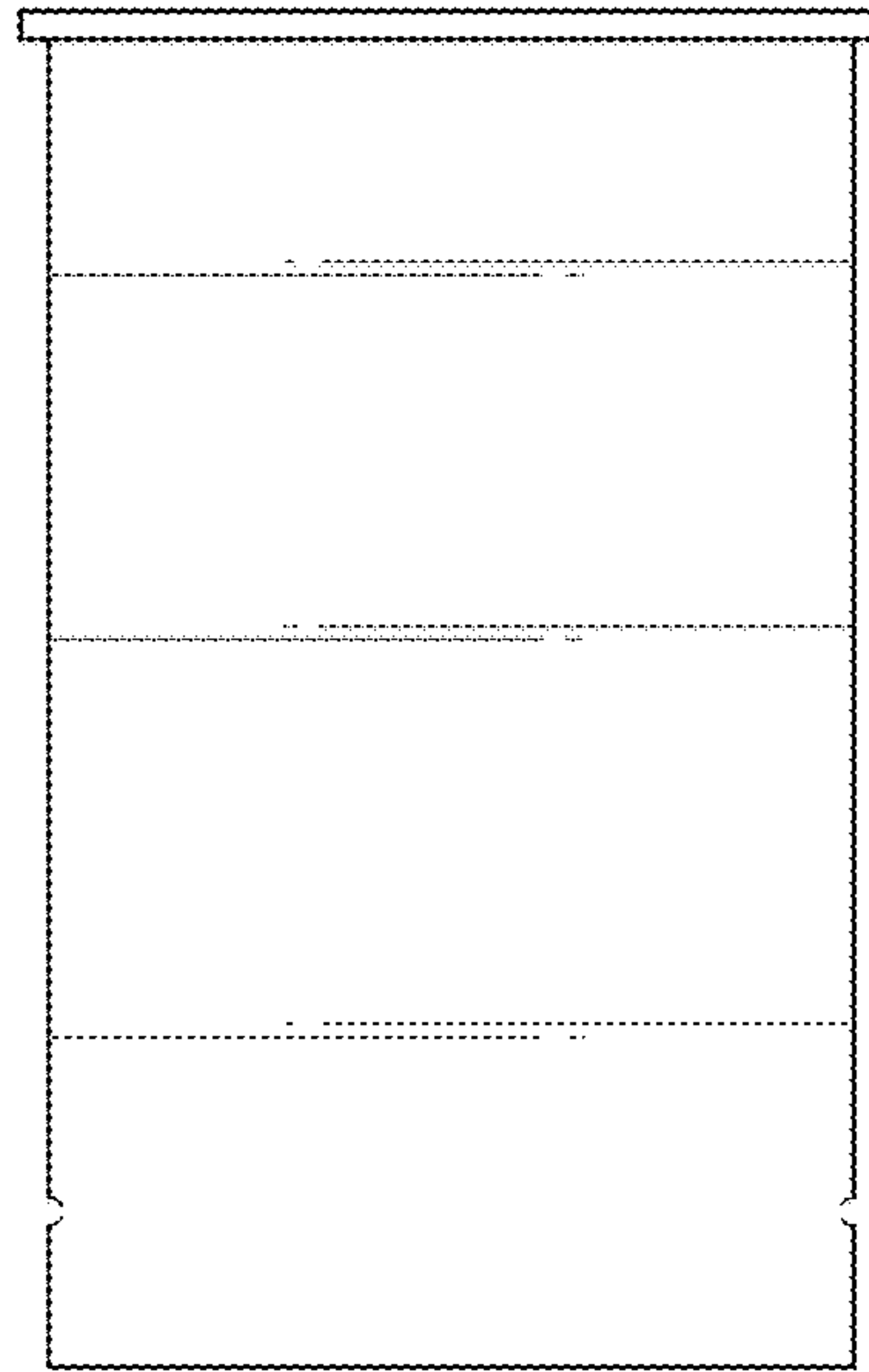


Fig. 9

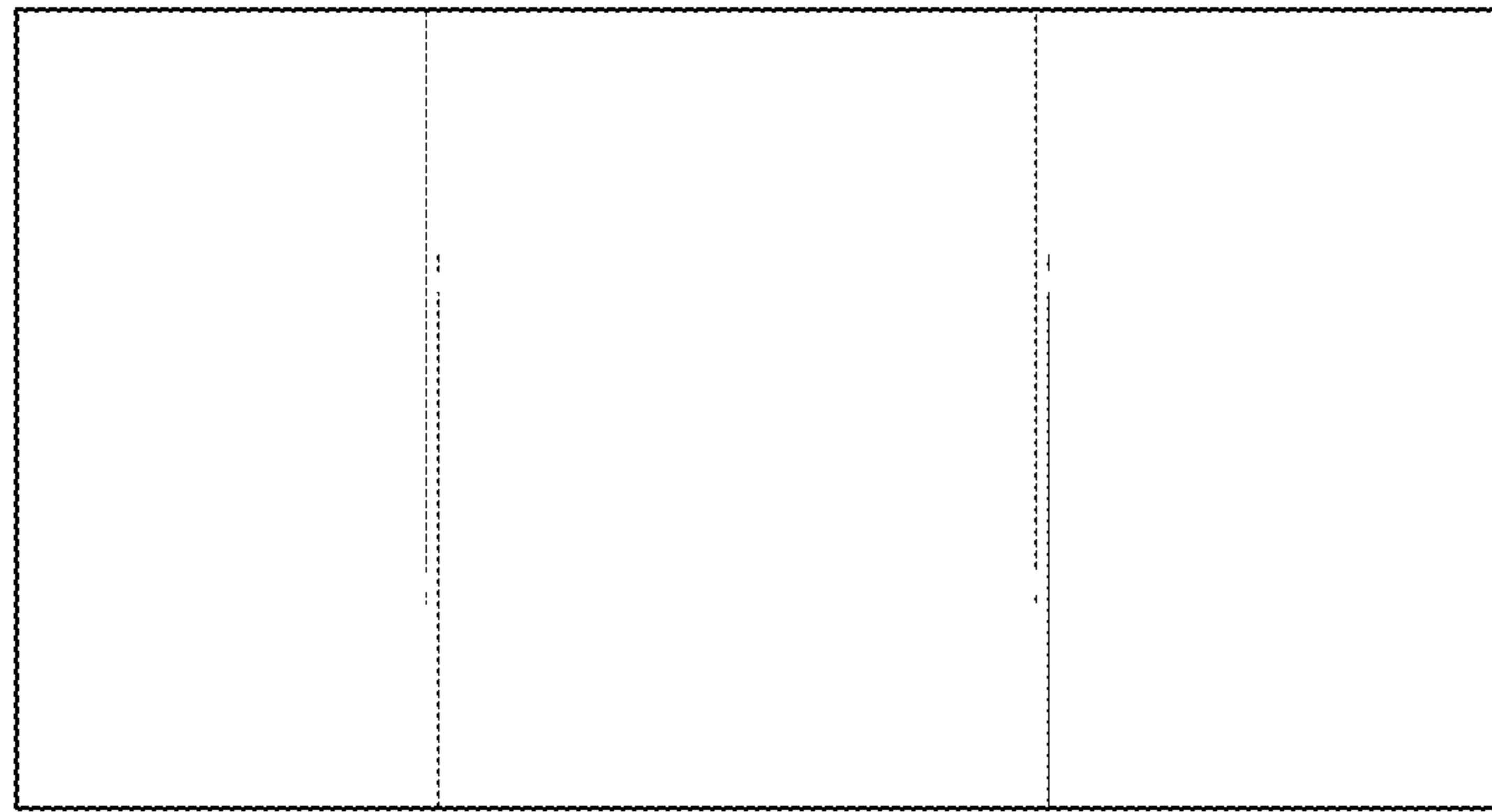


Fig. 10

