



US00D814266S

(12) **United States Design Patent**
Carnevali

(10) **Patent No.:** **US D814,266 S**

(45) **Date of Patent:** **** Apr. 3, 2018**

(54) **ADAPTER BASE WITH BALL MOUNT**

(71) Applicant: **Jeffrey D. Carnevali**, Seattle, WA (US)

(72) Inventor: **Jeffrey D. Carnevali**, Seattle, WA (US)

(**) Term: **15 Years**

(21) Appl. No.: **29/556,152**

(22) Filed: **Feb. 27, 2016**

(51) **LOC (11) Cl.** **08-05**

(52) **U.S. Cl.**
USPC **D8/354**

(58) **Field of Classification Search**
USPC D8/354, 349; D14/239; 269/277, 75;
280/490.1
CPC G03B 17/08; G03B 17/561; G03B 17/566;
A47B 2210/0043; A47B 2210/0059;
A47B 88/10; B29C 45/14336; B29C
45/1459; G02B 7/182; H04M 1/04; H04N
5/2251; H04N 5/2252; H04N 5/2253
See application file for complete search history.

(56) **References Cited**

U.S. PATENT DOCUMENTS

- 4,033,601 A * 7/1977 Lindahl B60D 1/46
280/490.1
- 5,069,433 A * 12/1991 Womack B25B 1/2457
269/277
- D376,780 S * 12/1996 McCoy D12/162
- 6,203,048 B1 * 3/2001 Adair B60D 1/52
280/491.5
- D571,278 S * 6/2008 Carnevali D12/223
- D588,902 S * 3/2009 Carnevali D8/354
- D607,381 S * 1/2010 Lekkas D12/162
- 8,037,904 B2 * 10/2011 Carnevali F16L 55/132
138/89
- D729,704 S * 5/2015 Song D12/162
- D789,177 S * 6/2017 Carnevali D8/354
- D789,178 S * 6/2017 Carnevali D8/354

- 2005/0104327 A1 * 5/2005 Irgens B60D 1/06
280/511
- 2009/0140112 A1 * 6/2009 Carnevali F16B 5/0657
248/223.41
- 2011/0024598 A1 * 2/2011 Carnevali B62J 29/00
248/482

(Continued)

OTHER PUBLICATIONS

Ram Mount 2x1, posted at amazon.com, posting date not given, [online], [site visited Sep. 13, 2017]. Available from Internet, URL: <https://www.amazon.com/ContainsUniversalPatternDiscontinuedManufacturer/dp/B004O8LF26>.*

(Continued)

Primary Examiner — George D. Kirschbaum
Assistant Examiner — Maria J Edwards
(74) *Attorney, Agent, or Firm* — Charles J. Rupnick
Attorney at Law

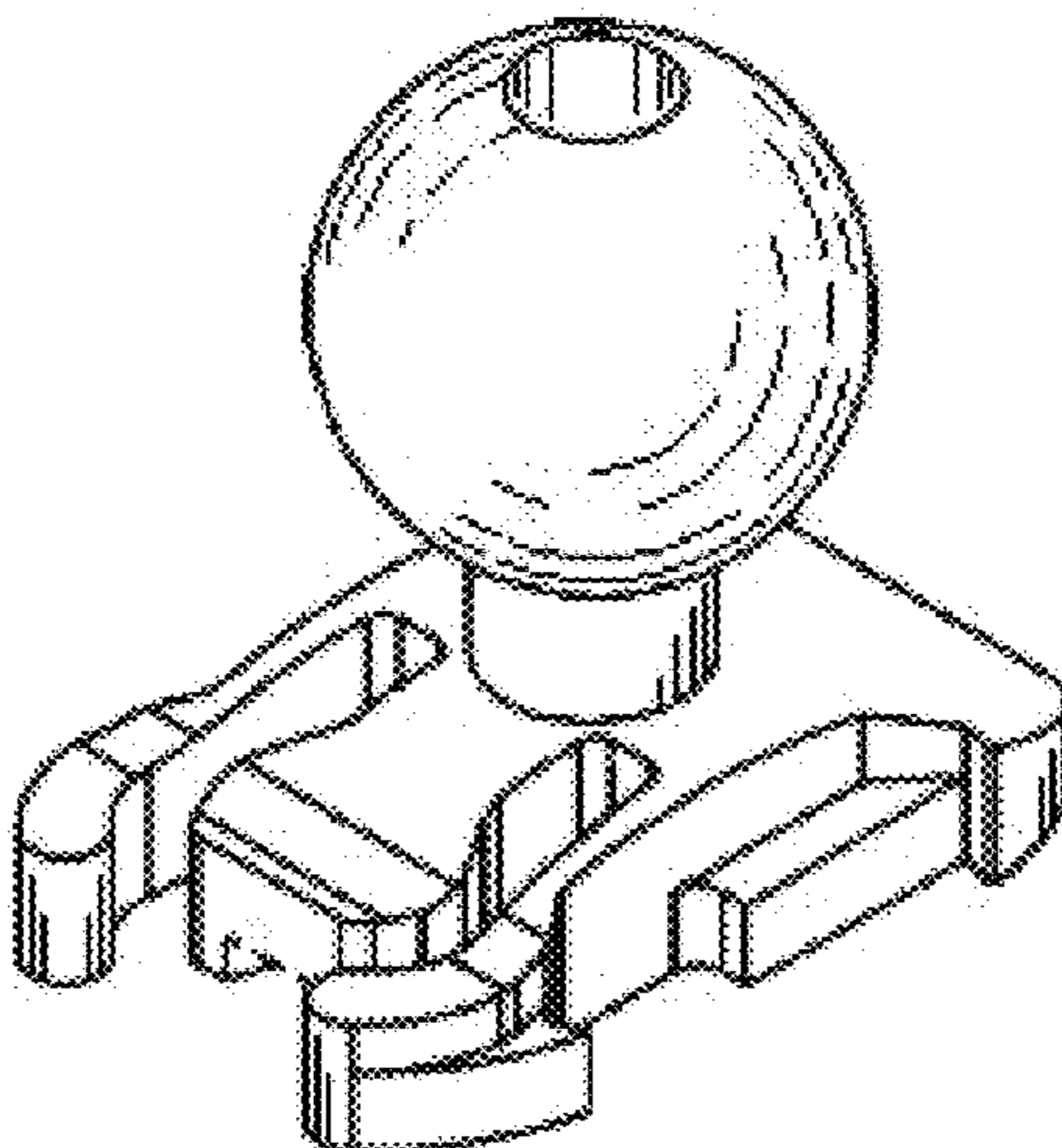
(57) **CLAIM**

The ornamental design for an adapter base with ball mount, as shown and described.

DESCRIPTION

FIG. 1 is a top front right side perspective view showing my new design;
FIG. 2 is a top front left side perspective view thereof;
FIG. 3 is a top rear right side perspective view thereof;
FIG. 4 is a bottom perspective view thereof;
FIG. 5 is a front elevational view thereof;
FIG. 6 is a rear elevational view thereof;
FIG. 7 is a left side elevational view thereof;
FIG. 8 is a right side elevational view thereof;
FIG. 9 is a top elevational view thereof; and,
FIG. 10 is a bottom elevational view thereof.
The broken lines illustrate portions of the adapter base with ball mount and form no part of the claimed design.

1 Claim, 3 Drawing Sheets



(56)

References Cited

U.S. PATENT DOCUMENTS

2011/0193321 A1* 8/2011 Breeden B60D 1/06
280/511
2012/0045276 A1* 2/2012 Carnevali F16B 7/20
403/350
2015/0030386 A1* 1/2015 Carnevali F16B 21/02
403/348
2015/0275942 A1* 10/2015 Carnevali F16B 2/10
403/374.3

OTHER PUBLICATIONS

BTS—Ball Mount Base Adapter With Attachment Screw S, posted at housingcamera.com, posting date not given, [online], [site visited Sep. 13, 2017]. Available from Internet, URL: <http://www.housingcamera.com/id2849-bts-bmba.html>.*

RAM Marine Electronic Adapter Base with 1 Ball, posted at rammount.com, posting date not given, [online], [site visited Sep. 13, 2017]. Available from Internet, URL: <http://www.rammount.com/part/RAM-B-107-1BU>.*

Howshot Base Mount with 1 inch Ball Adapter, posted at divervision.com, posting date not given, [online], [site visited Sep. 13, 2017]. Available from Internet, URL: <http://www.divervision.com/howshot-base-mount-with-1-inch-ball-adapter-AD-GA.html>.*

* cited by examiner

Fig. 1

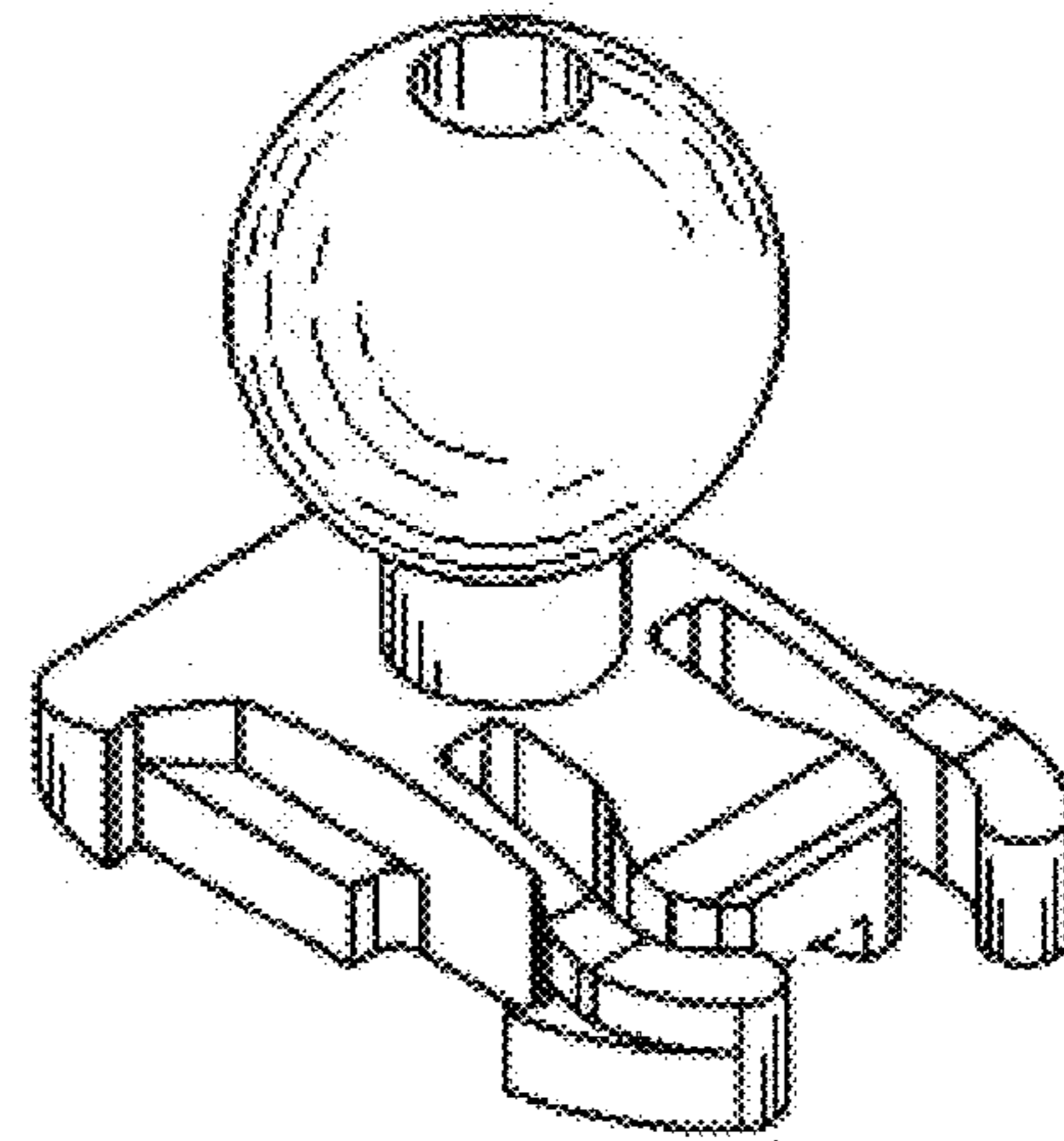
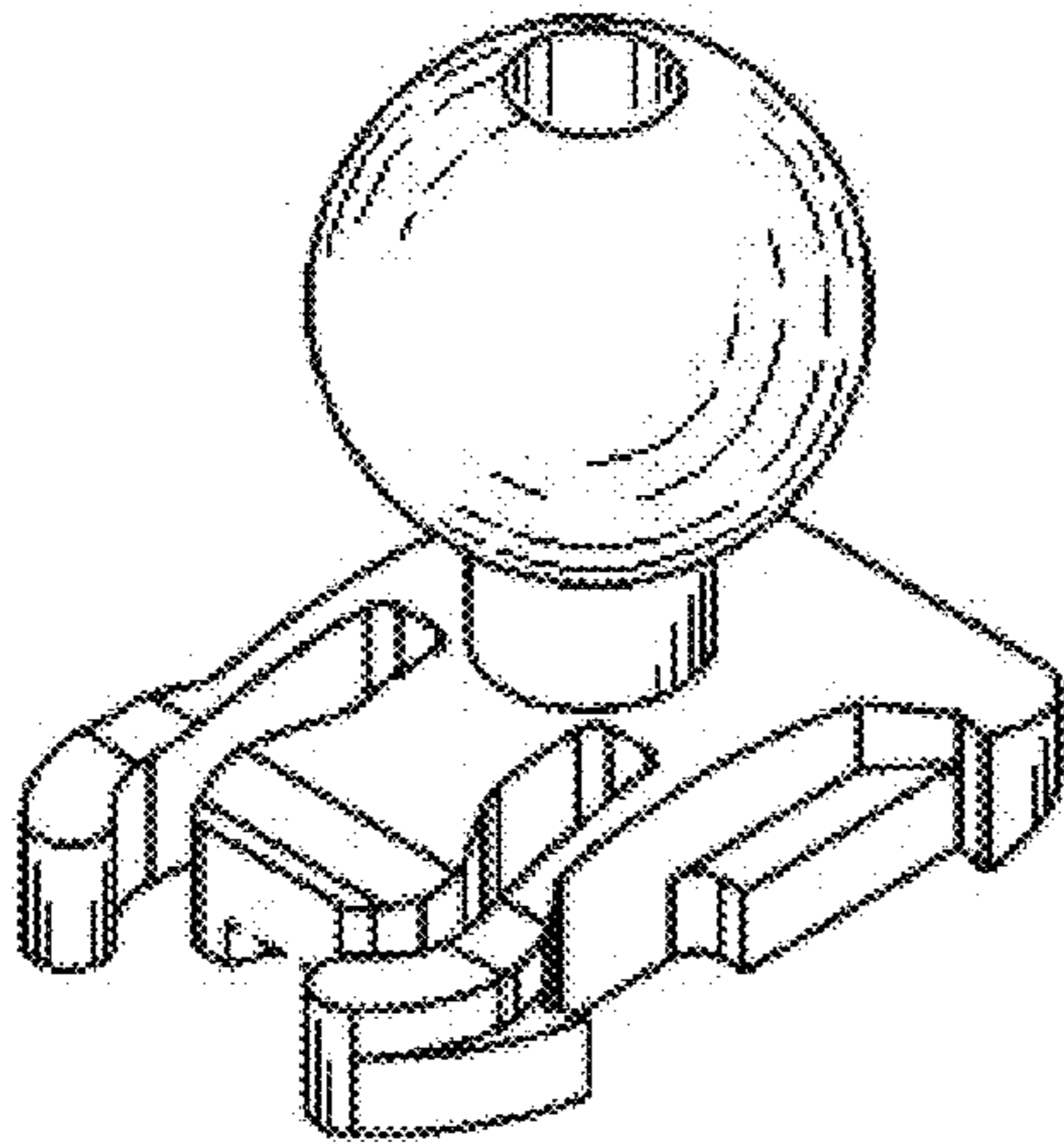


Fig. 2

Fig. 3

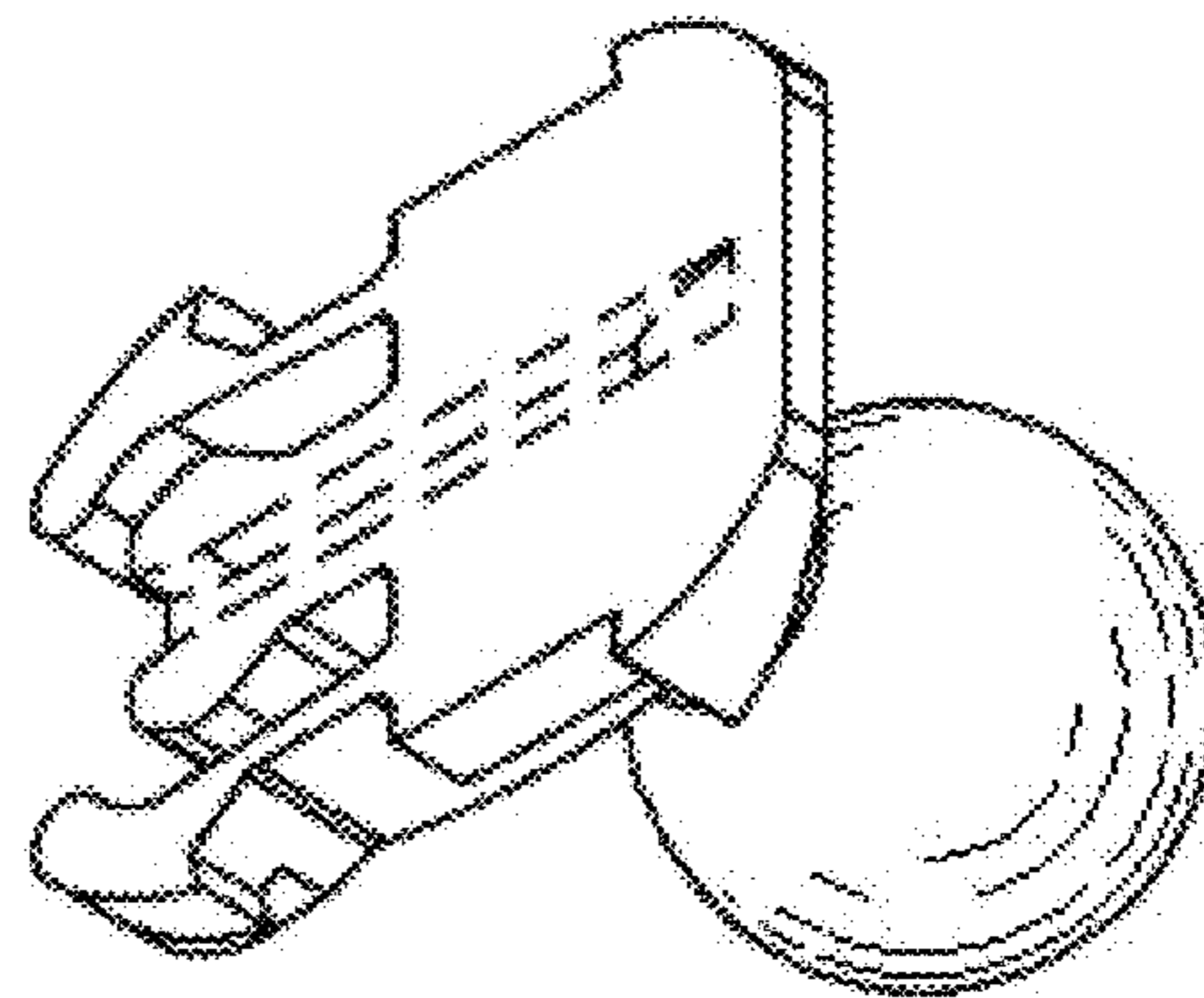
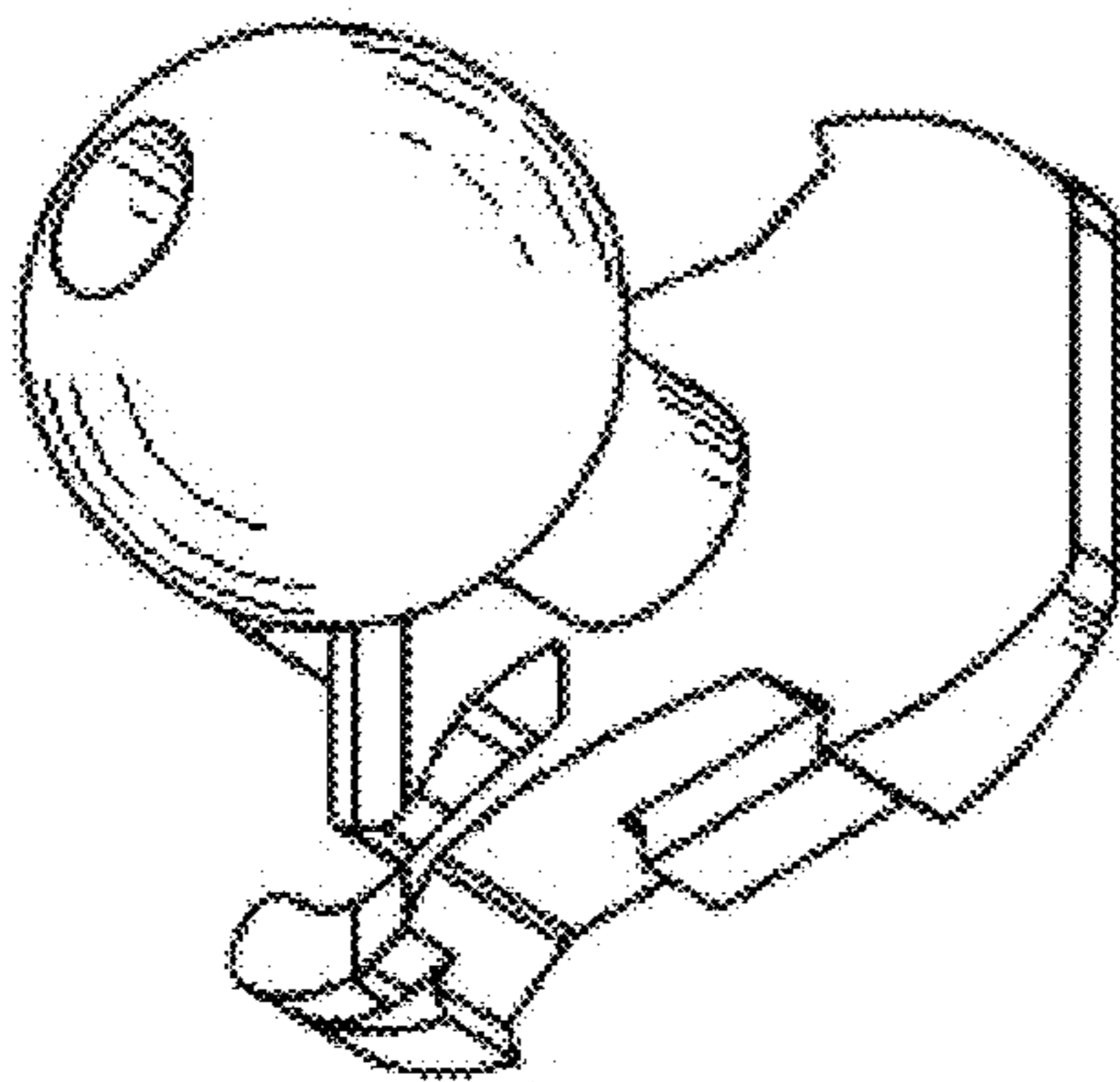


Fig. 4

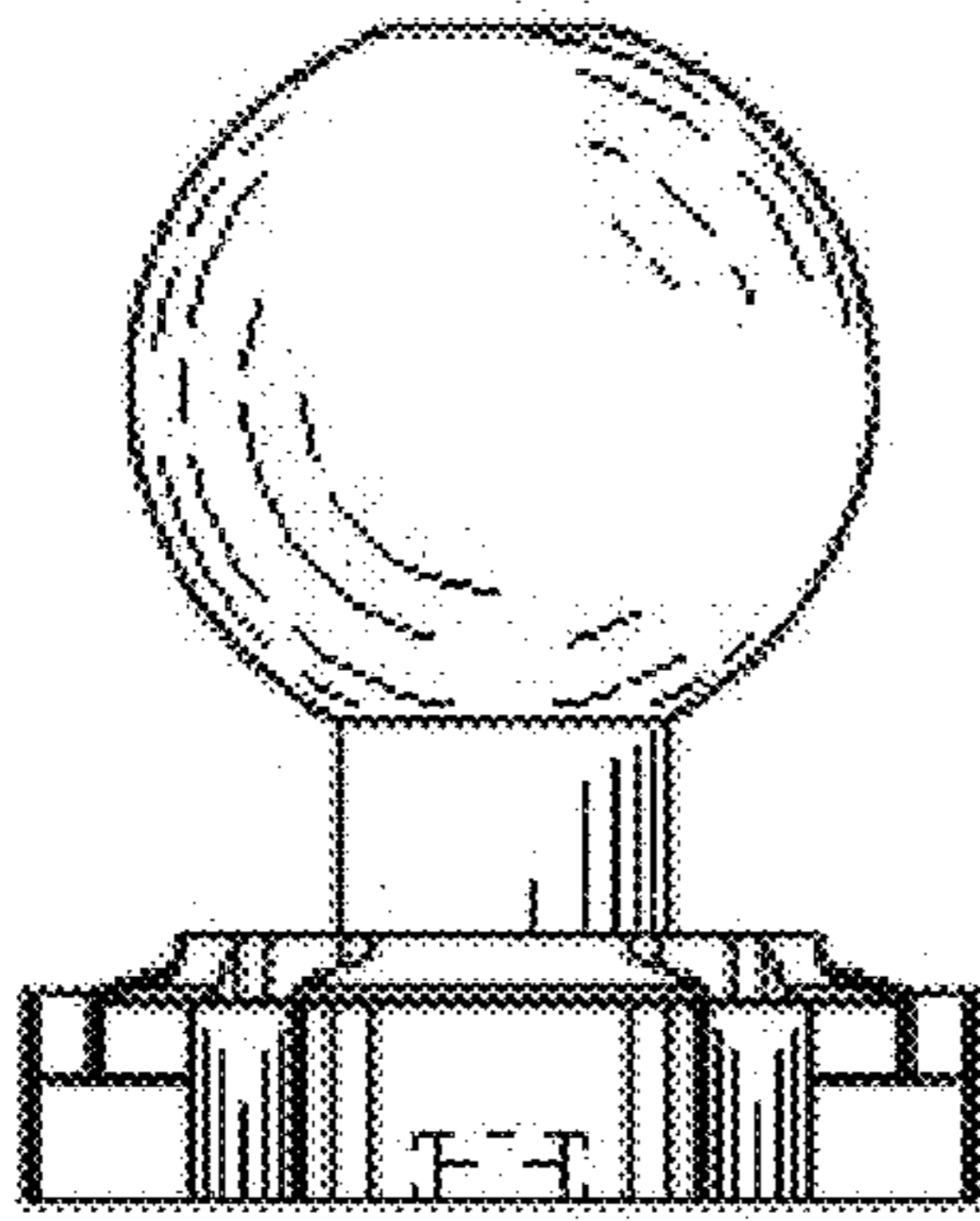


Fig 5

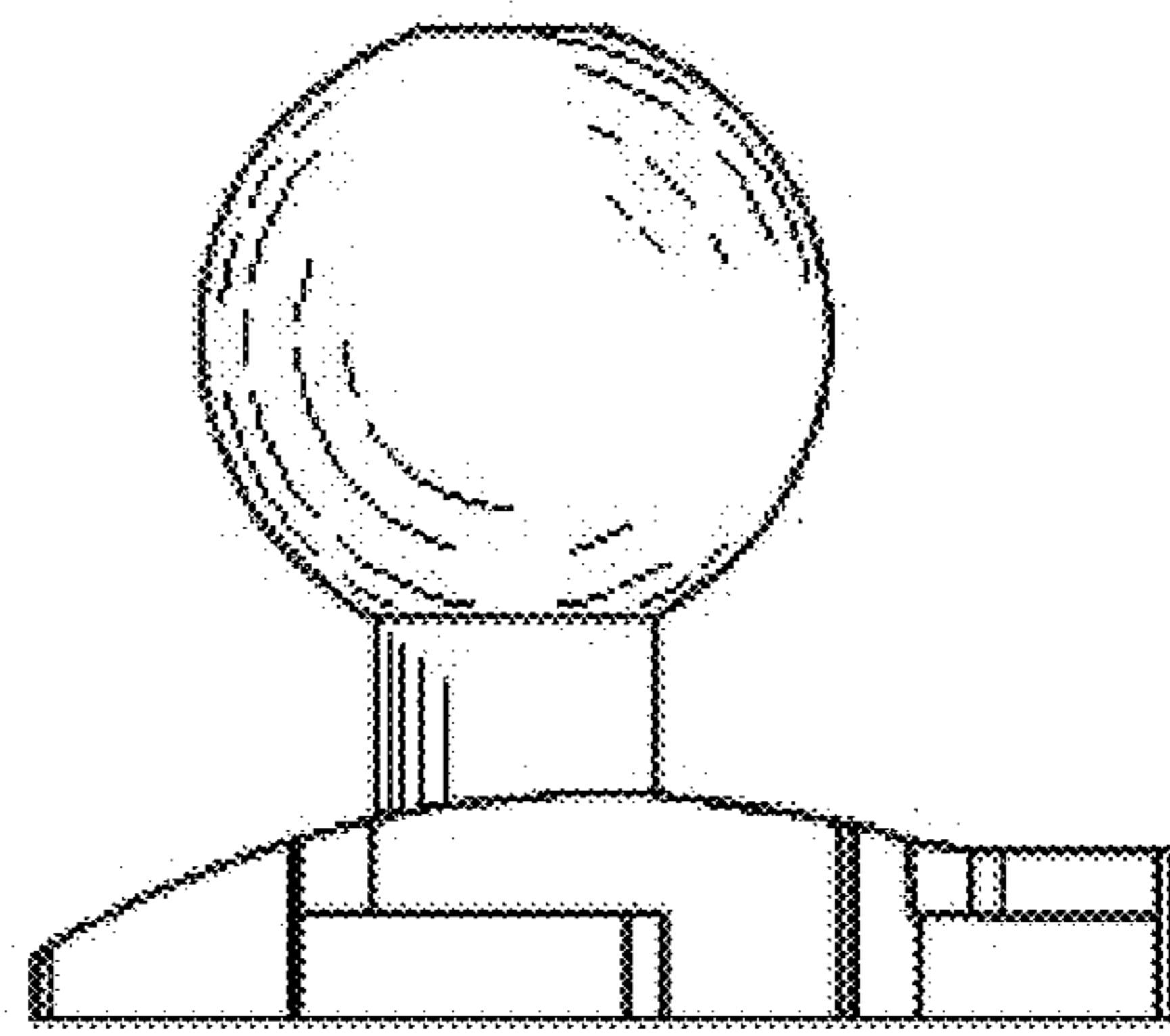


Fig. 7

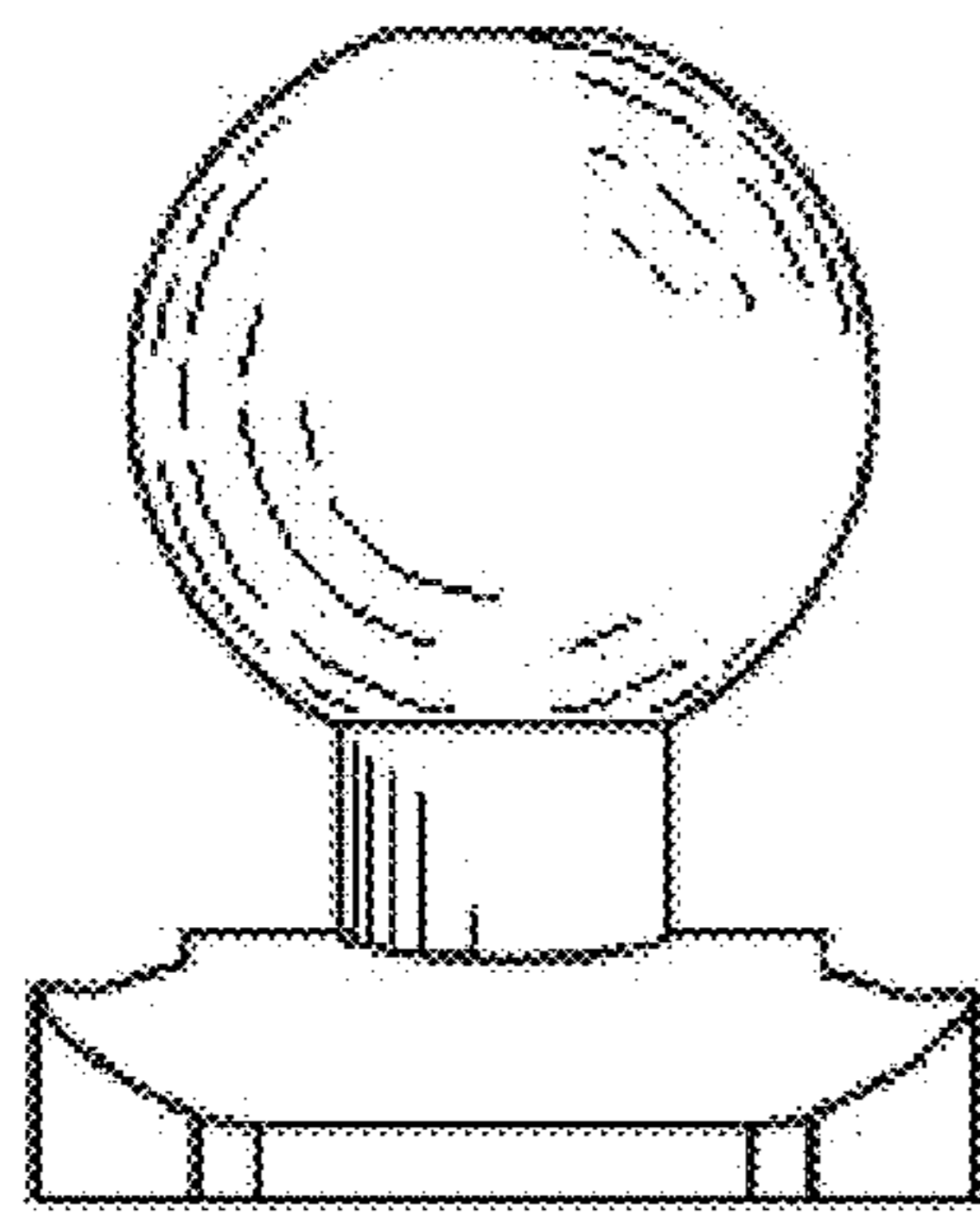


Fig. 6

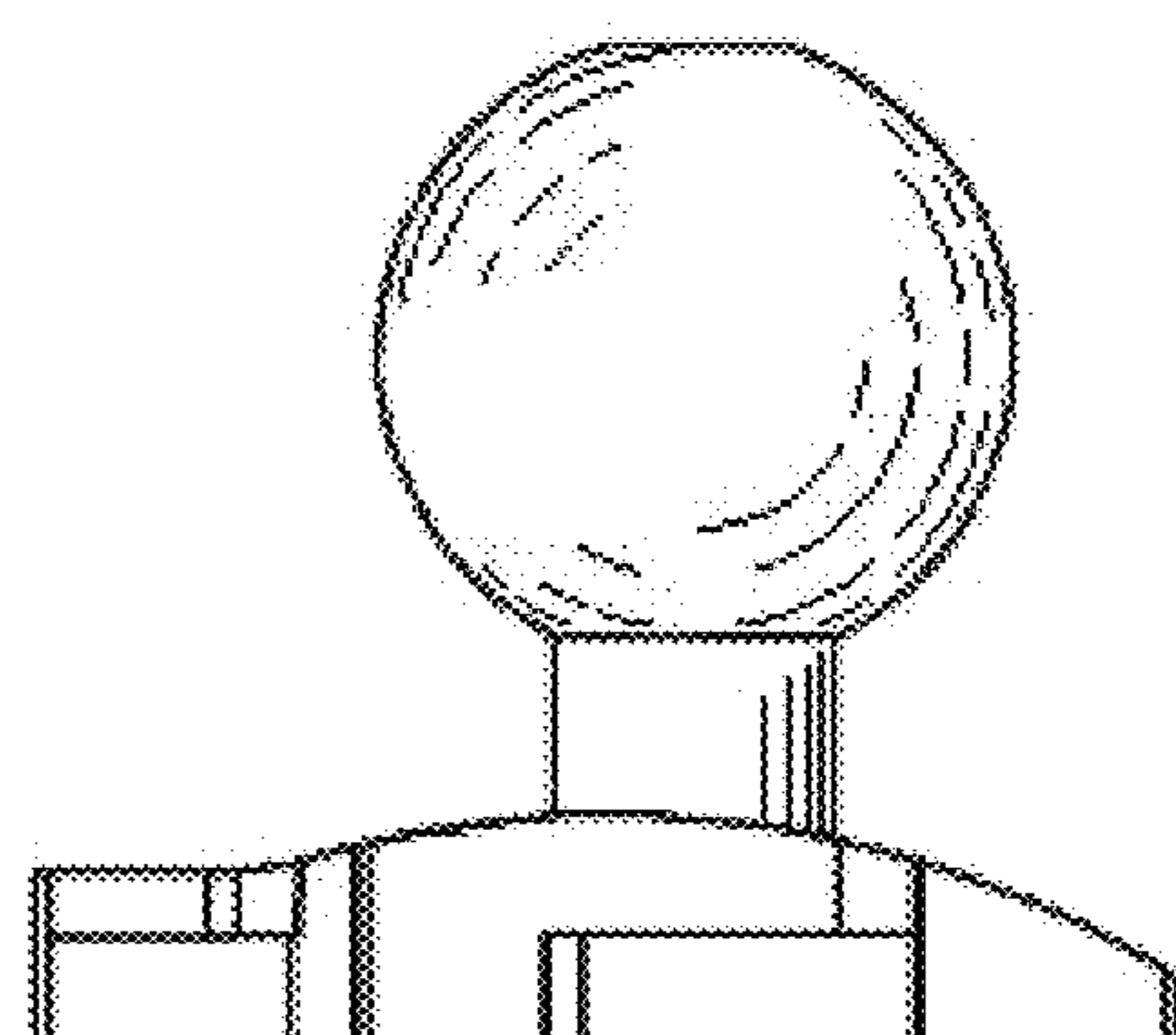


Fig. 8

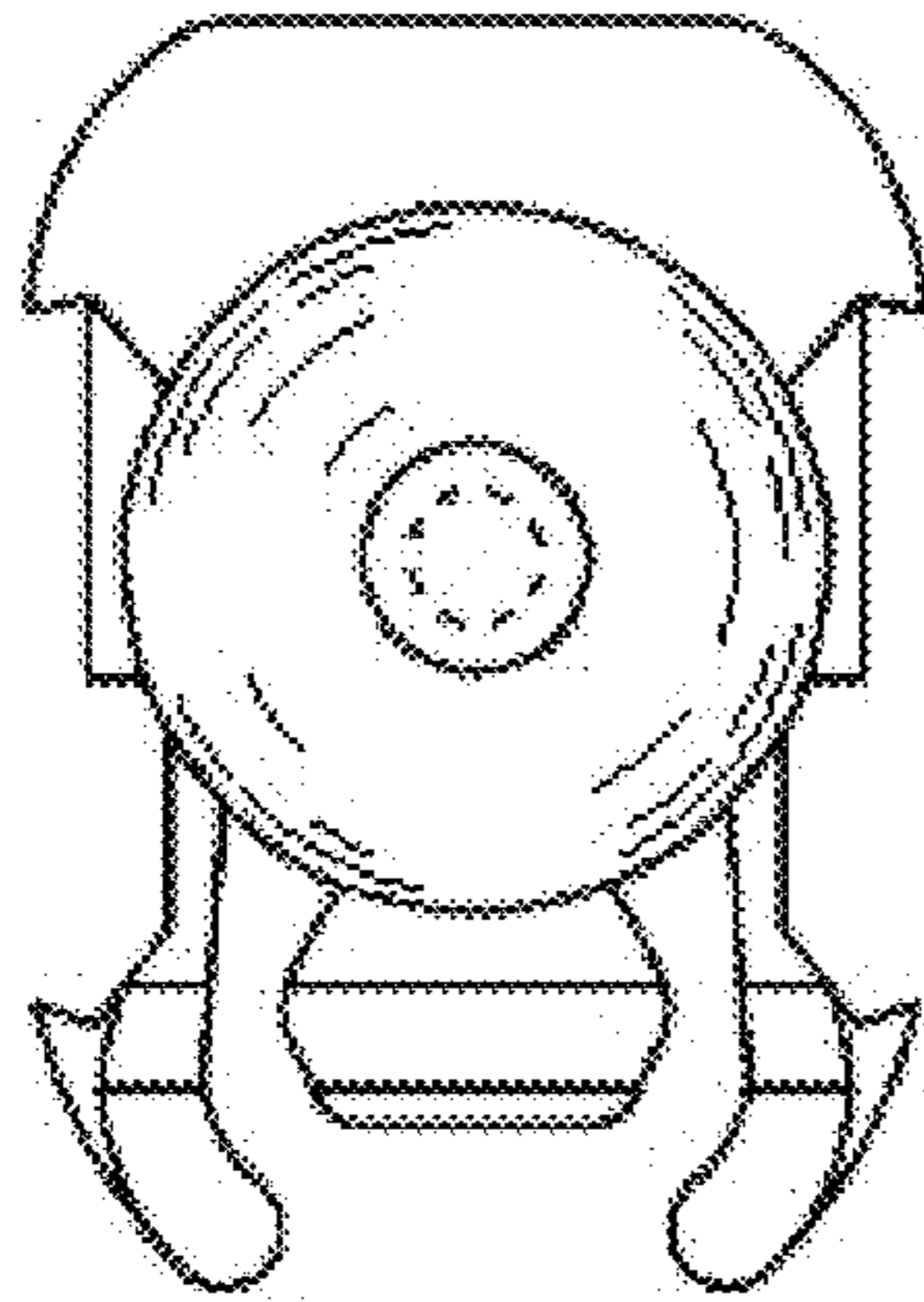


Fig. 9

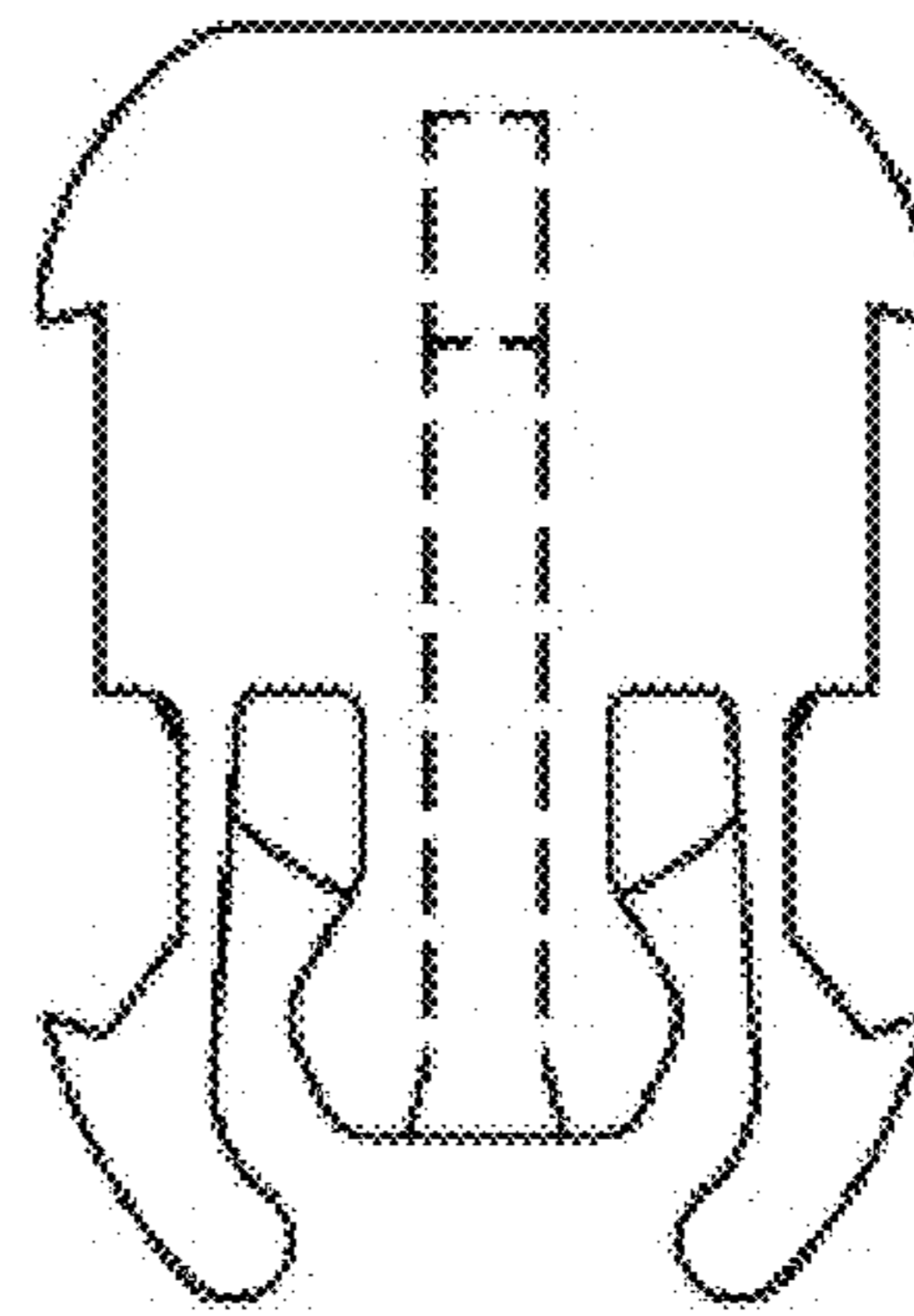


Fig. 10