



US00D814265S

(12) **United States Design Patent**  
**Kasper**

(10) **Patent No.:** **US D814,265 S**

(45) **Date of Patent:** **\*\* Apr. 3, 2018**

(54) **DOOR LOCK ESCUTCHEON**  
(71) Applicant: **YALE SECURITY INC.**, New Haven, CT (US)  
(72) Inventor: **Scott Kasper**, New Haven, CT (US)  
(73) Assignee: **YALE SECURITY INC.**, Monroe, NC (US)

6,145,353 A \* 11/2000 Doucet ..... E05B 47/0692  
70/149  
6,286,347 B1 \* 9/2001 Frolov ..... E05B 47/0692  
192/71  
6,733,050 B1 \* 5/2004 Yao ..... E05B 63/044  
292/137  
D545,662 S \* 7/2007 Lu ..... D8/302  
D581,245 S \* 11/2008 Conway ..... D8/330  
D693,666 S \* 11/2013 Gianoli ..... D8/330  
D752,946 S \* 4/2016 Shen ..... D8/330  
D766,067 S \* 9/2016 Hyde ..... D8/330

(\*\*) Term: **15 Years**

\* cited by examiner

(21) Appl. No.: **29/573,886**

*Primary Examiner* — Prabhakar G Deshmukh

(22) Filed: **Aug. 10, 2016**

(74) *Attorney, Agent, or Firm* — DeLio, Peterson & Curcio, LLC; Thomas E. Ciesco

(51) **LOC (11) Cl.** ..... **08-07**

(52) **U.S. Cl.**  
USPC ..... **D8/330; D8/331**

(57) **CLAIM**

(58) **Field of Classification Search**  
USPC ..... D8/330, 331, 334, 300, 301; 70/14,  
70/20–22, 57, 57.1, 284–286, 314,  
70/DIG. 44  
CPC .... E05B 47/00; E05B 47/0692; E05B 63/044;  
E05B 15/02; H01H 9/00  
See application file for complete search history.

The ornamental design for a “door lock escutcheon,” as shown and described.

**DESCRIPTION**

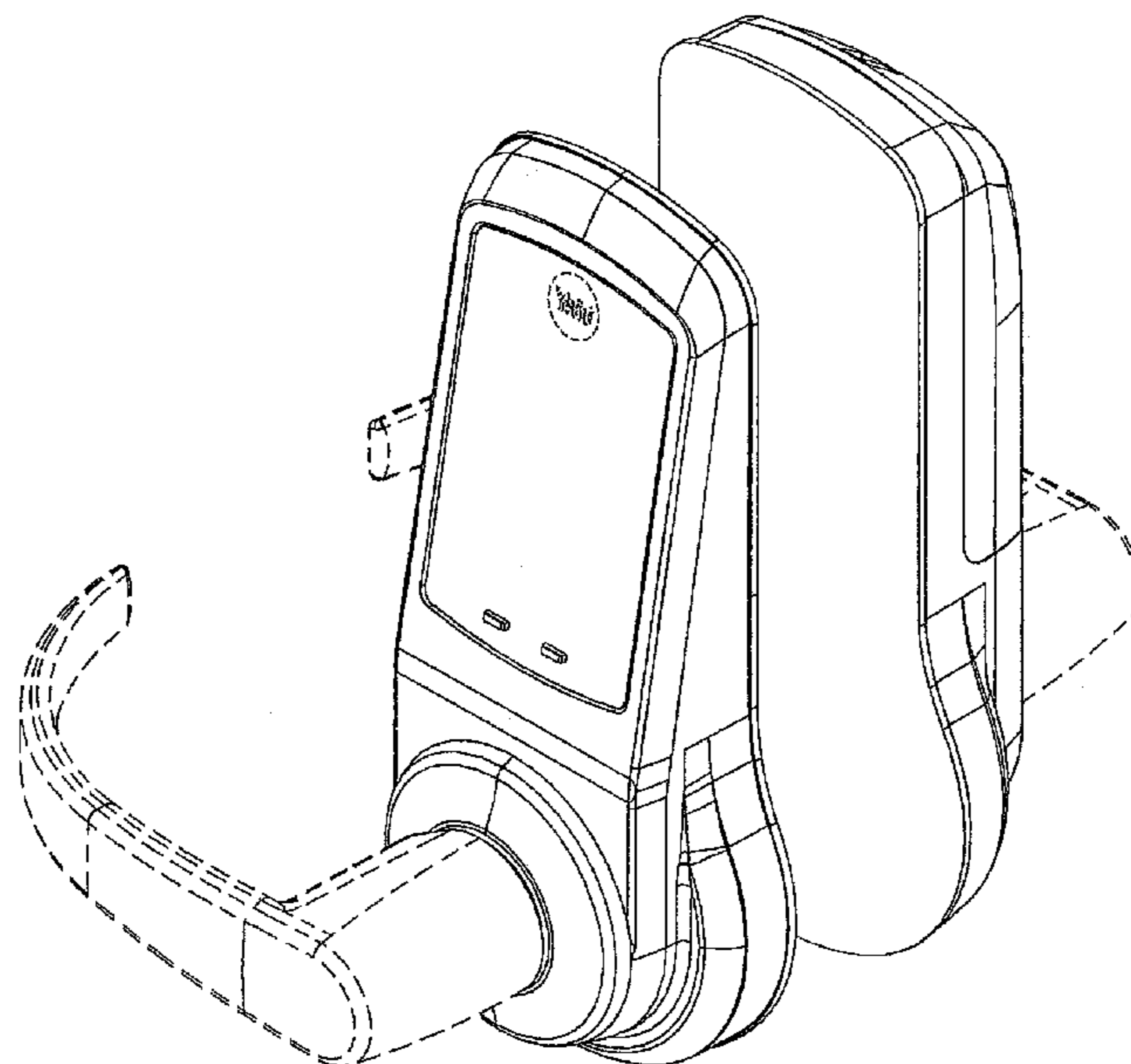
(56) **References Cited**

**U.S. PATENT DOCUMENTS**

5,475,996 A \* 12/1995 Chen ..... E05B 47/0692  
70/218  
D365,976 S \* 1/1996 Chiu ..... D8/301  
5,881,585 A \* 3/1999 Kang ..... E05B 59/00  
292/21  
5,987,945 A \* 11/1999 Ruano  
Aramburu ..... E05B 47/0692  
70/107  
D433,920 S \* 11/2000 Chang ..... D8/331

FIG. 1 is a perspective view of a door lock escutcheon showing my new design;  
FIG. 2 is a right side elevational view thereof;  
FIG. 3 is a left side elevational view thereof;  
FIG. 4 is a front elevational view thereof;  
FIG. 5 is a rear elevational view thereof;  
FIG. 6 is a top plan view thereof; and,  
FIG. 7 is a bottom plan view thereof.  
The broken lines represent the unclaimed portions and form no part of the claimed design.

**1 Claim, 7 Drawing Sheets**



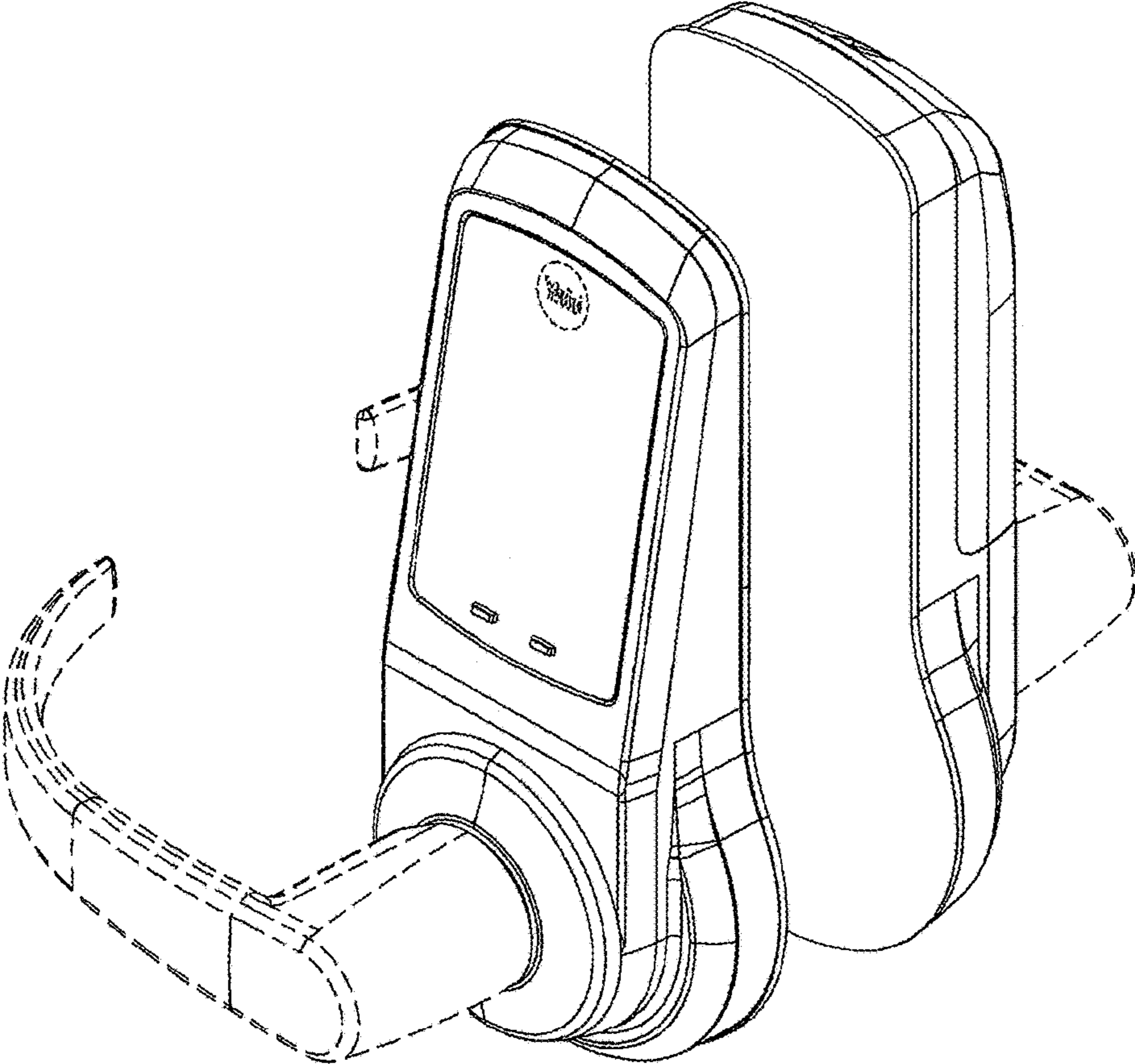


FIG. 1

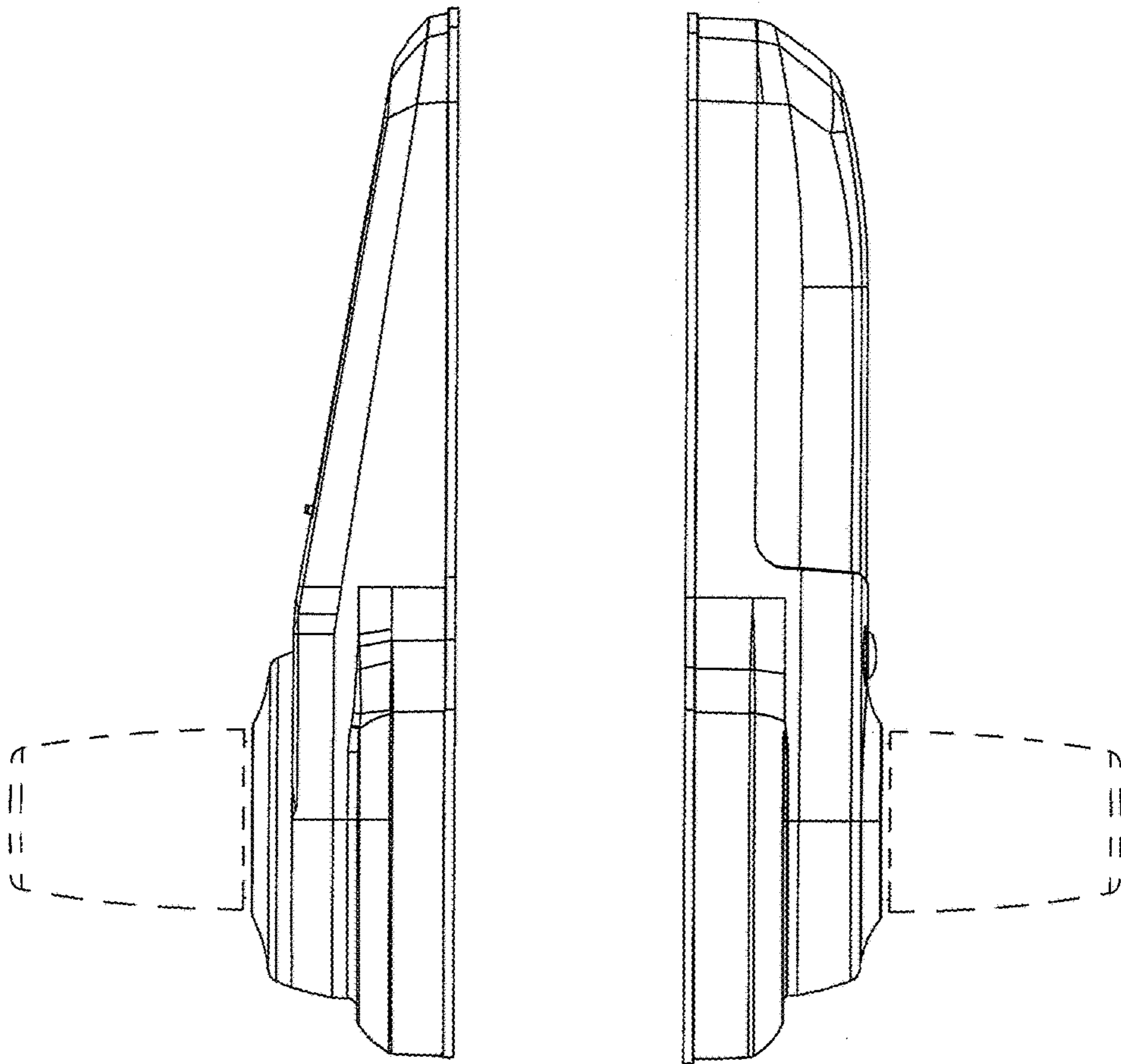


FIG. 2

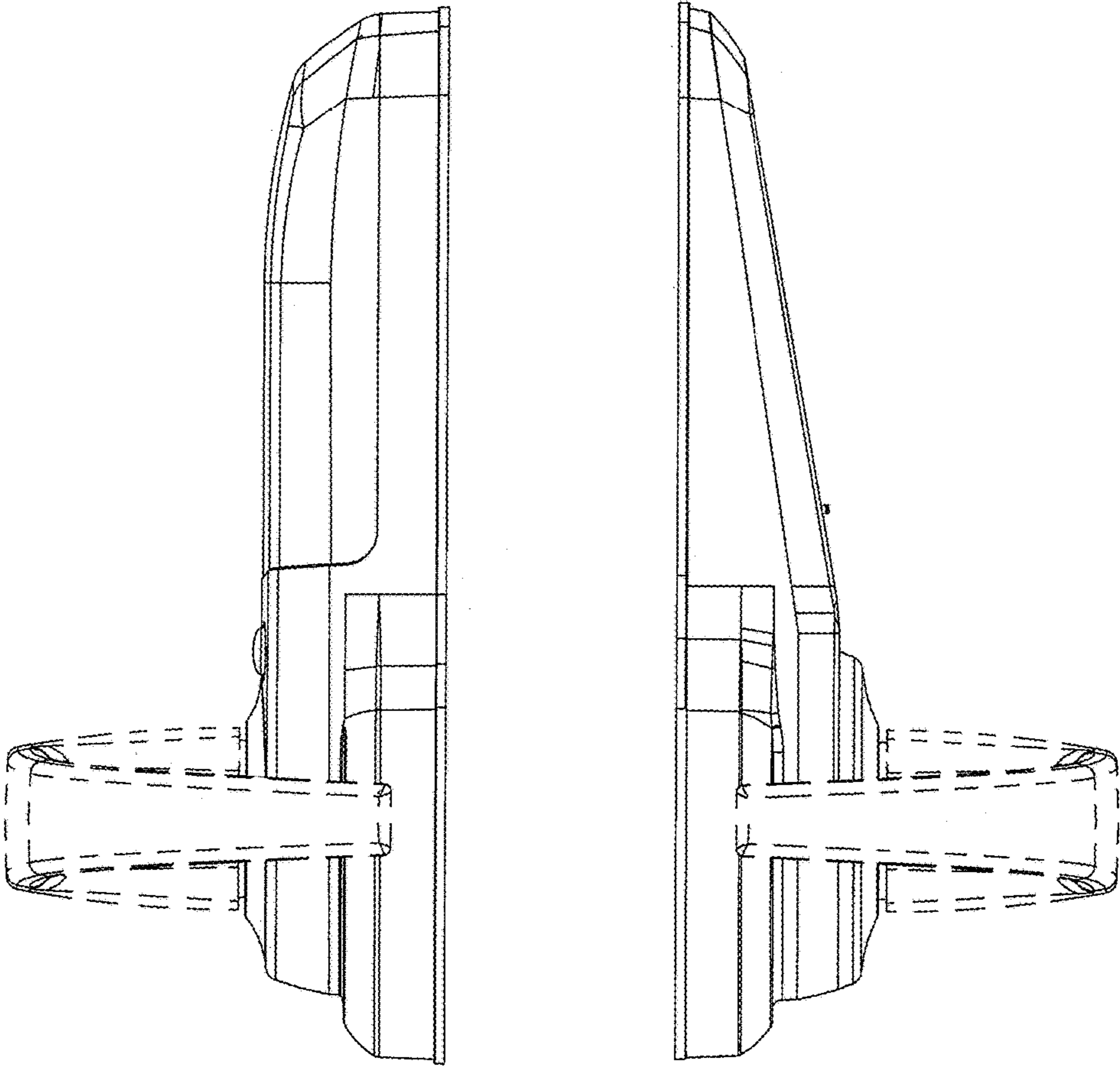


FIG. 3



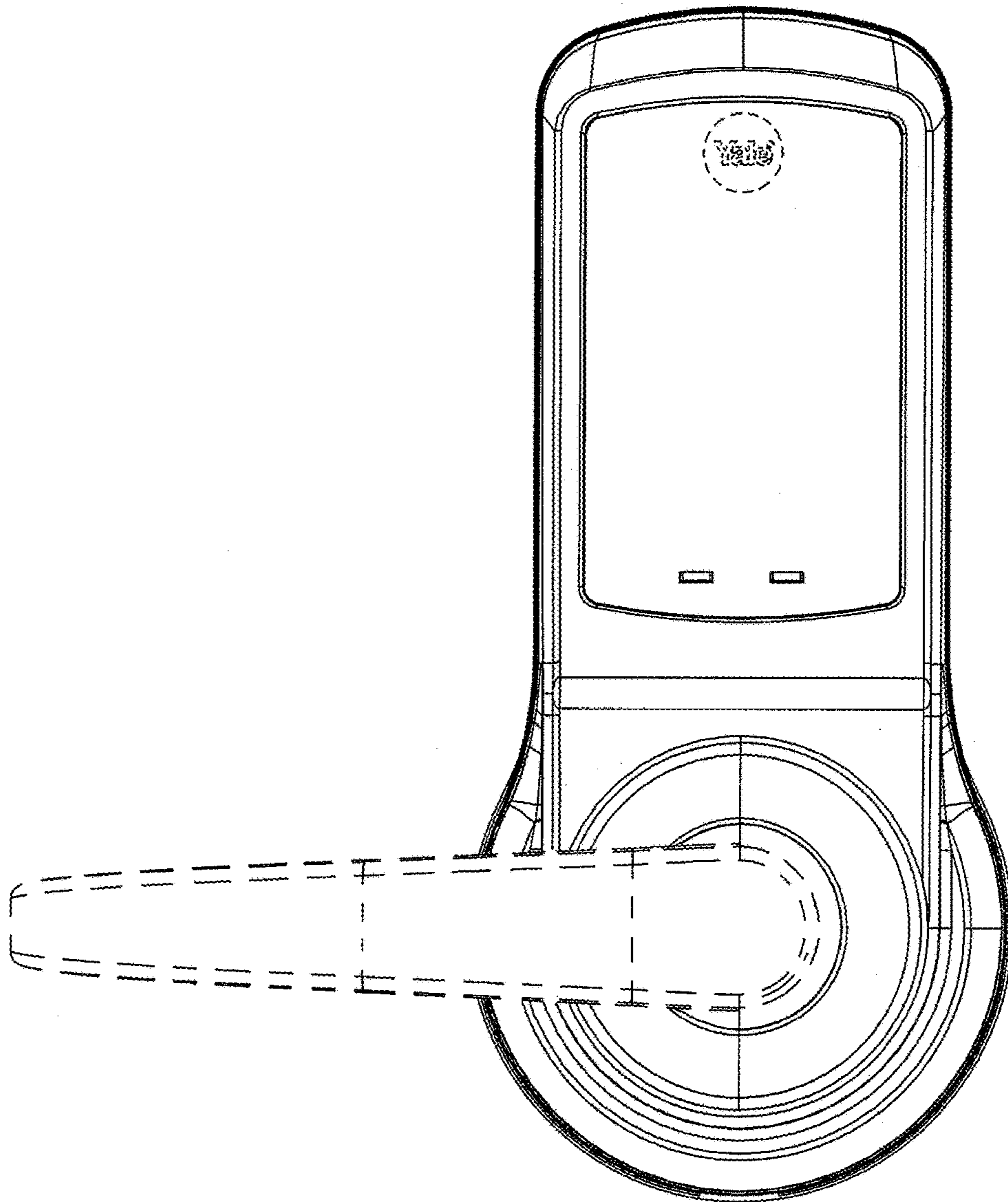


FIG. 4

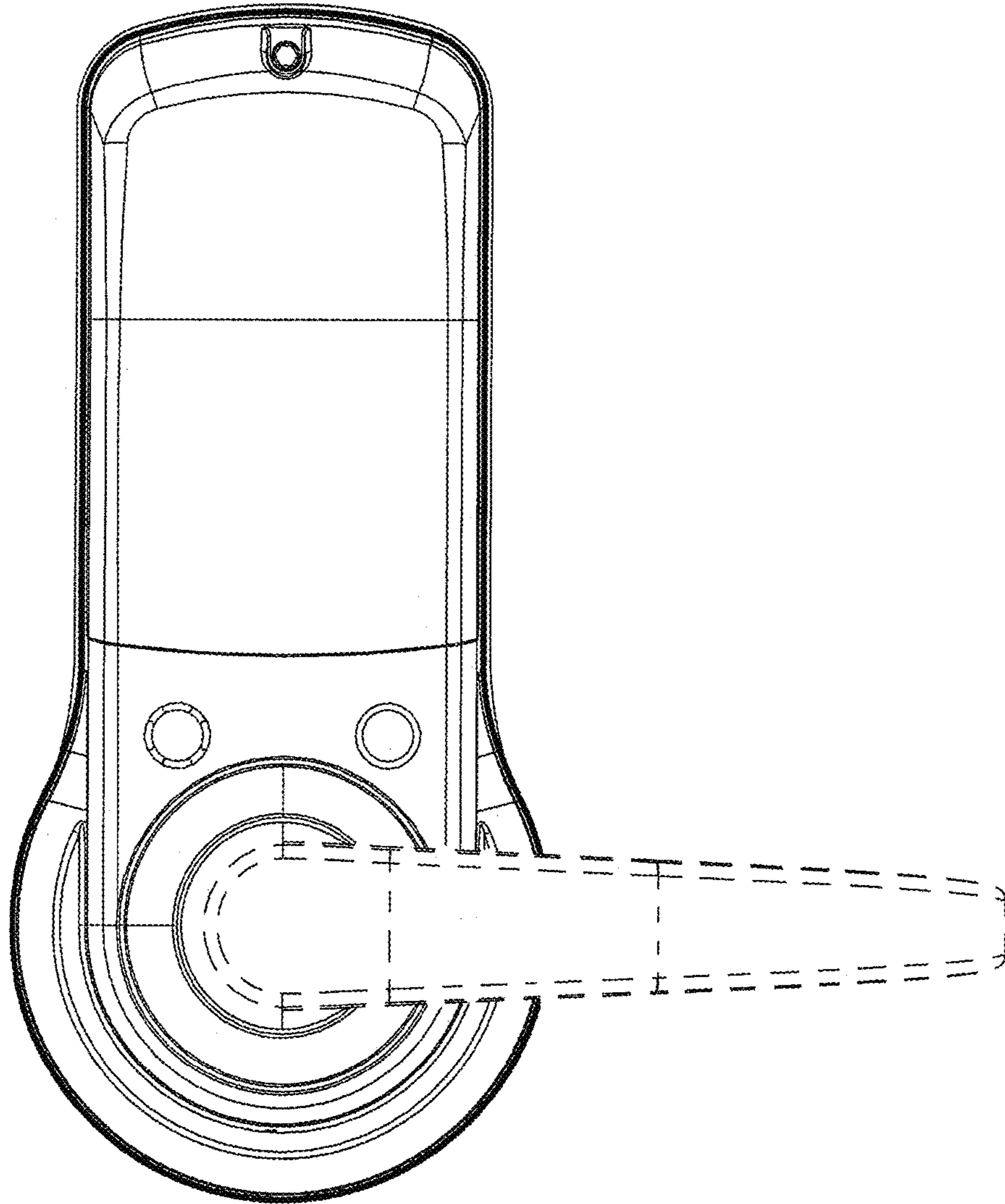


FIG. 5

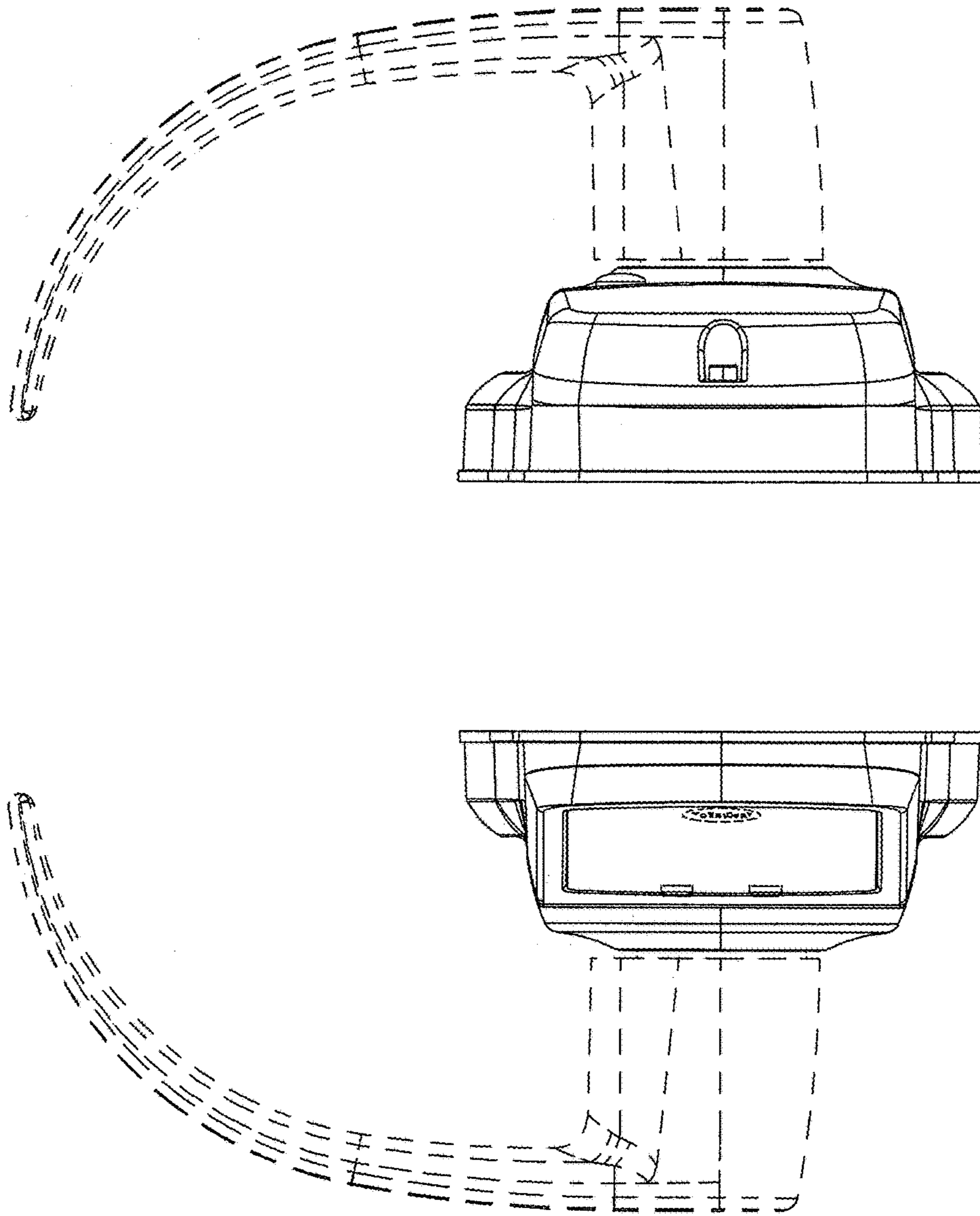


FIG. 6

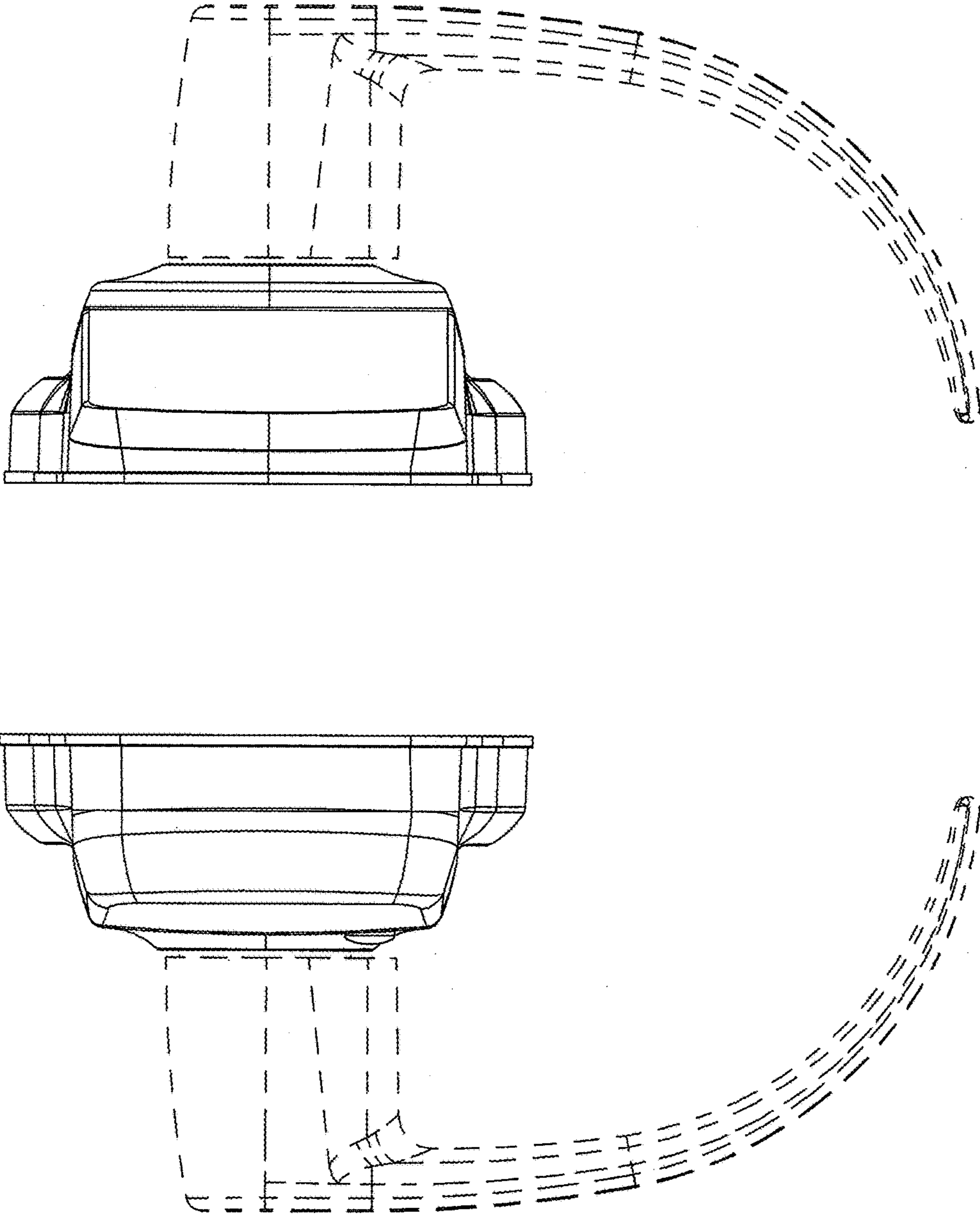


FIG. 7