



US00D814262S

(12) **United States Design Patent**
Khubani

(10) **Patent No.:** **US D814,262 S**

(45) **Date of Patent:** **** Apr. 3, 2018**

(54) **AIR COMPRESSOR**

(71) Applicant: **Telebrands Corp.**, Fairfield, NJ (US)

(72) Inventor: **Ajit Khubani**, Saddle River, NJ (US)

(73) Assignee: **Telebrands Corp.**, Fairfield, NJ (US)

(**) Term: **15 Years**

(21) Appl. No.: **29/584,638**

(22) Filed: **Nov. 16, 2016**

(51) **LOC (11) Cl.** **08-05**

(52) **U.S. Cl.**
USPC **D8/68**; D8/29.1

(58) **Field of Classification Search**
USPC D8/29.1, 29.2, 61, 67, 68; D15/144;
D28/13
CPC B62D 23/005; B62D 29/00; B62D 29/043;
B62D 31/00; B62D 33/046; B62D 35/00;
B62D 35/001; B60Q 1/0005; F24H 3/00;
F24H 3/0423; F16M 13/00
See application file for complete search history.

(56) **References Cited**

U.S. PATENT DOCUMENTS

D259,234 S *	5/1981	Pfeil	392/385
D274,551 S *	7/1984	Benjamin	D28/13
D334,876 S *	4/1993	Swetish	D8/29.1
D388,297 S *	12/1997	Buttenbender	D8/29.1
D388,298 S *	12/1997	Jerdee	D8/29.1
D481,277 S *	10/2003	Waldron	D8/29.1

D516,883 S *	3/2006	Popov	D8/29.1
D572,097 S *	7/2008	Yung-Kuan	D28/13
D615,834 S *	5/2010	Netzler	D8/29.1
D615,835 S *	5/2010	Netzler	D8/29.1
D641,220 S *	7/2011	Shi	D8/29.1
D670,146 S *	11/2012	Coley	D8/29.1
D679,561 S *	4/2013	Price	D8/29.1
D742,708 S *	11/2015	Howell	D8/29.1
D746,653 S *	1/2016	Furling	D8/29.1
D779,903 S *	2/2017	Koeniger	D8/68
D787,289 S *	5/2017	Koeniger	D8/68
D790,940 S *	7/2017	Dill	D8/68

* cited by examiner

Primary Examiner — Darlington Ly

(74) *Attorney, Agent, or Firm* — Cooper & Dunham, LLP

(57) **CLAIM**

The ornamental design for an air compressor, as shown and described.

DESCRIPTION

FIG. 1 is a front perspective view of an air compressor showing my new design;
FIG. 2 is a rear perspective view thereof;
FIG. 3 is a front elevational view thereof;
FIG. 4 is a rear elevational view thereof;
FIG. 5 is a left side elevational view thereof;
FIG. 6 is a right side elevational view thereof;
FIG. 7 is a top plan view thereof; and,
FIG. 8 is a bottom plan view thereof.
The broken lines in the drawings illustrate portions of the air compressor that forms no part of the claimed design.

1 Claim, 8 Drawing Sheets

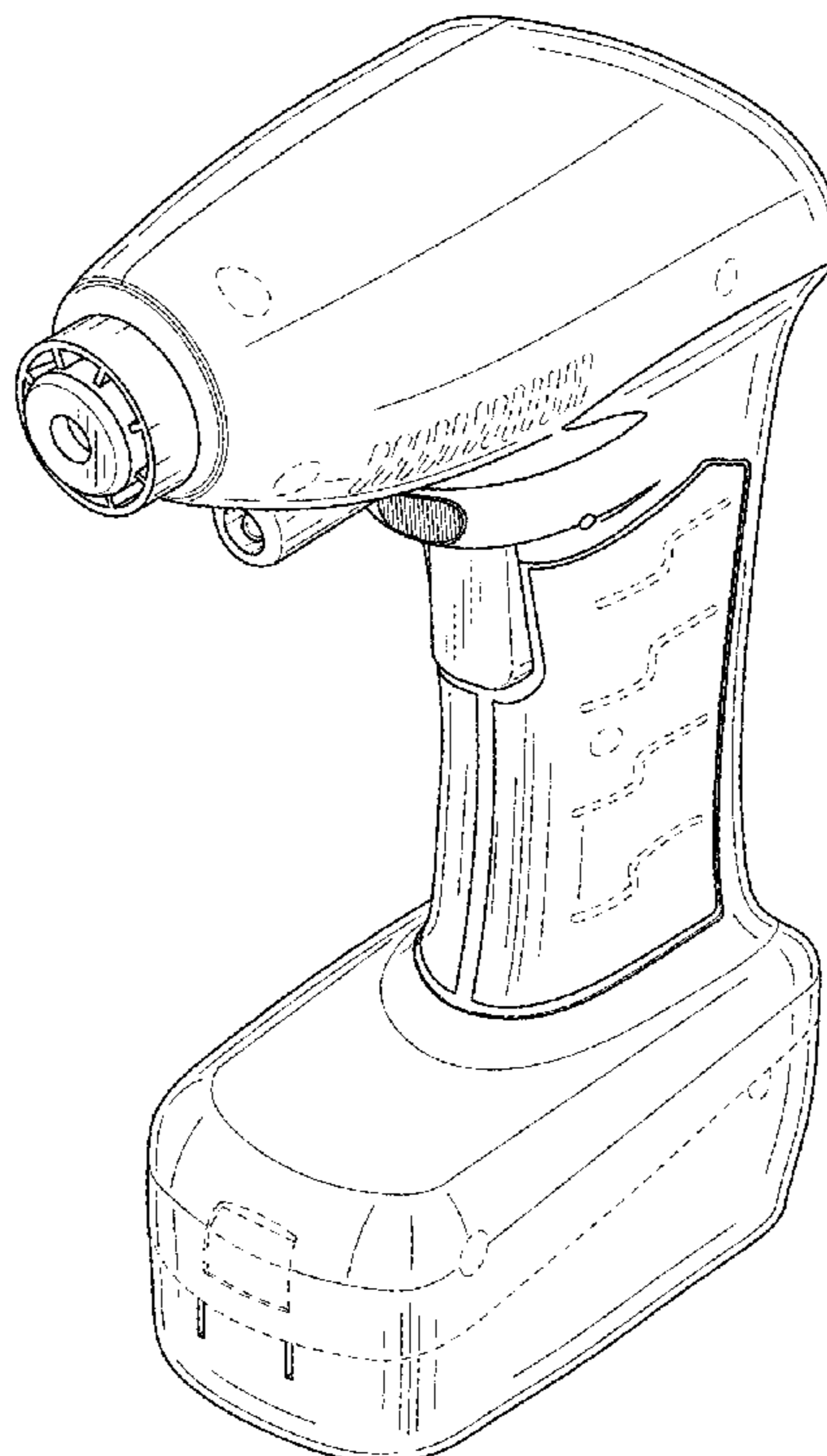


FIG. 1

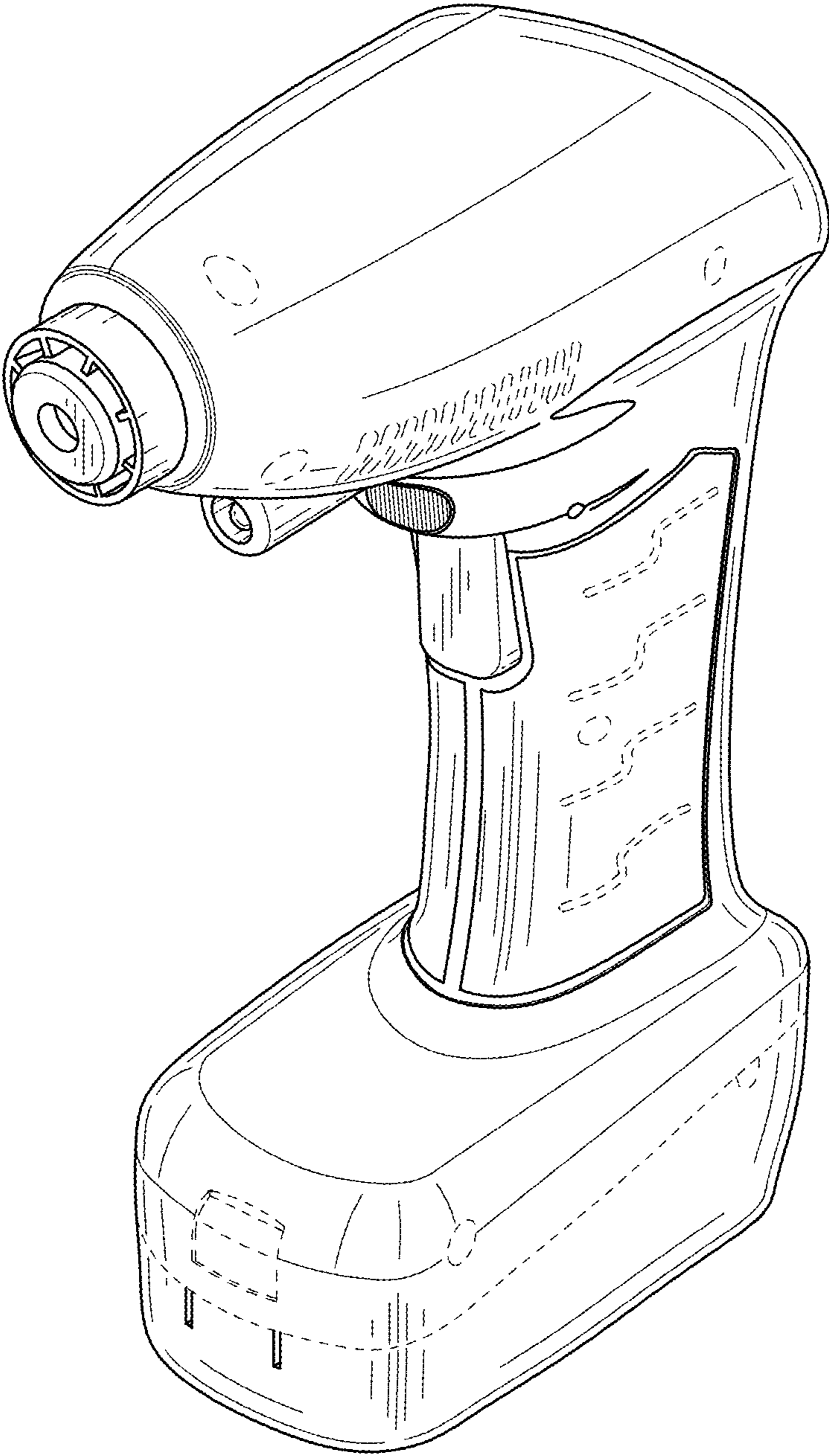


FIG. 2

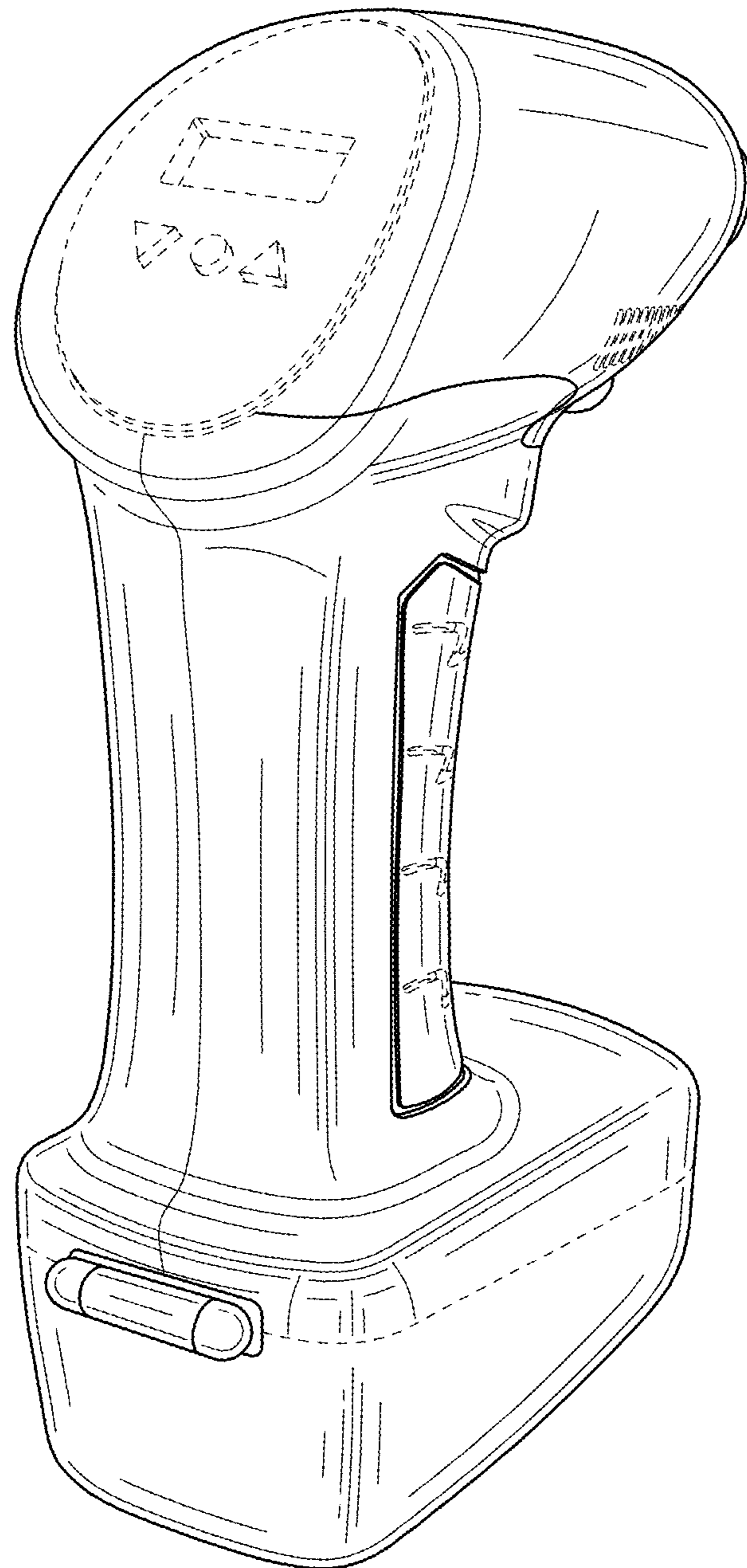


FIG. 3

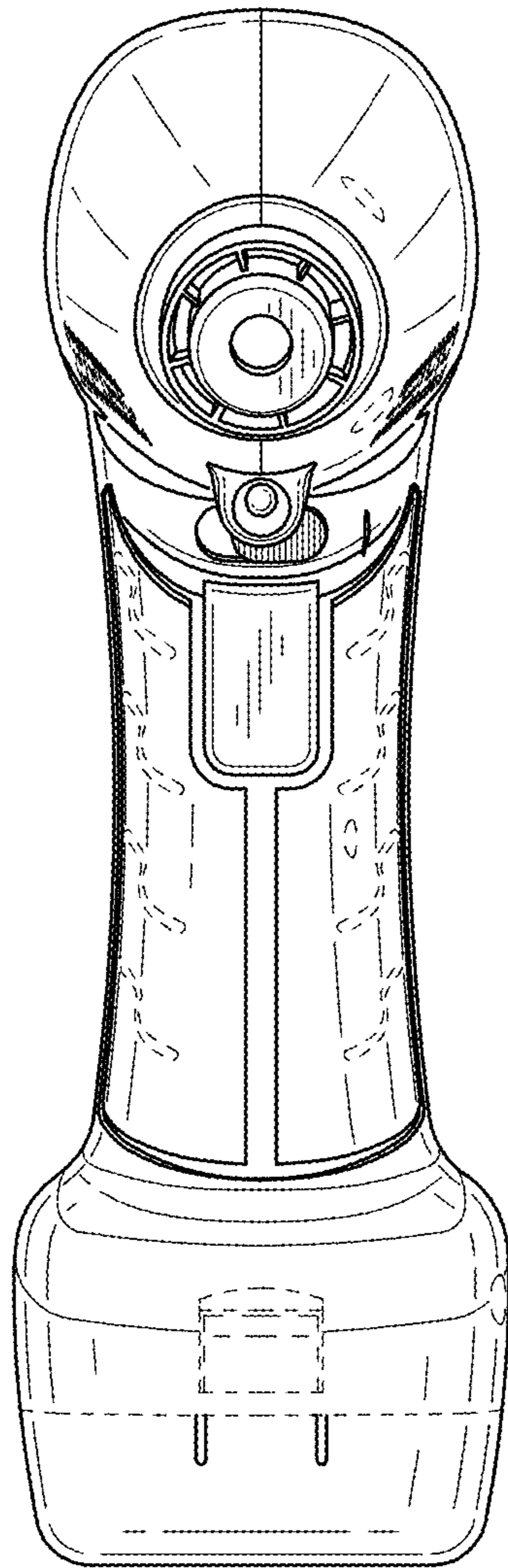


FIG. 4

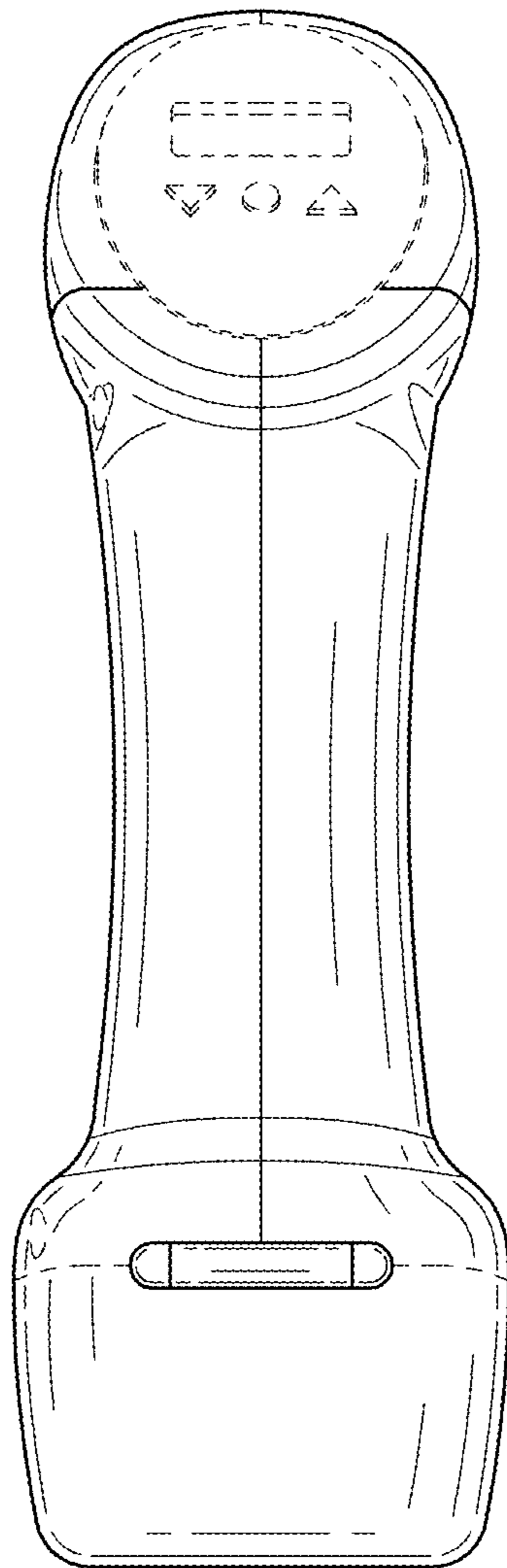


FIG. 5

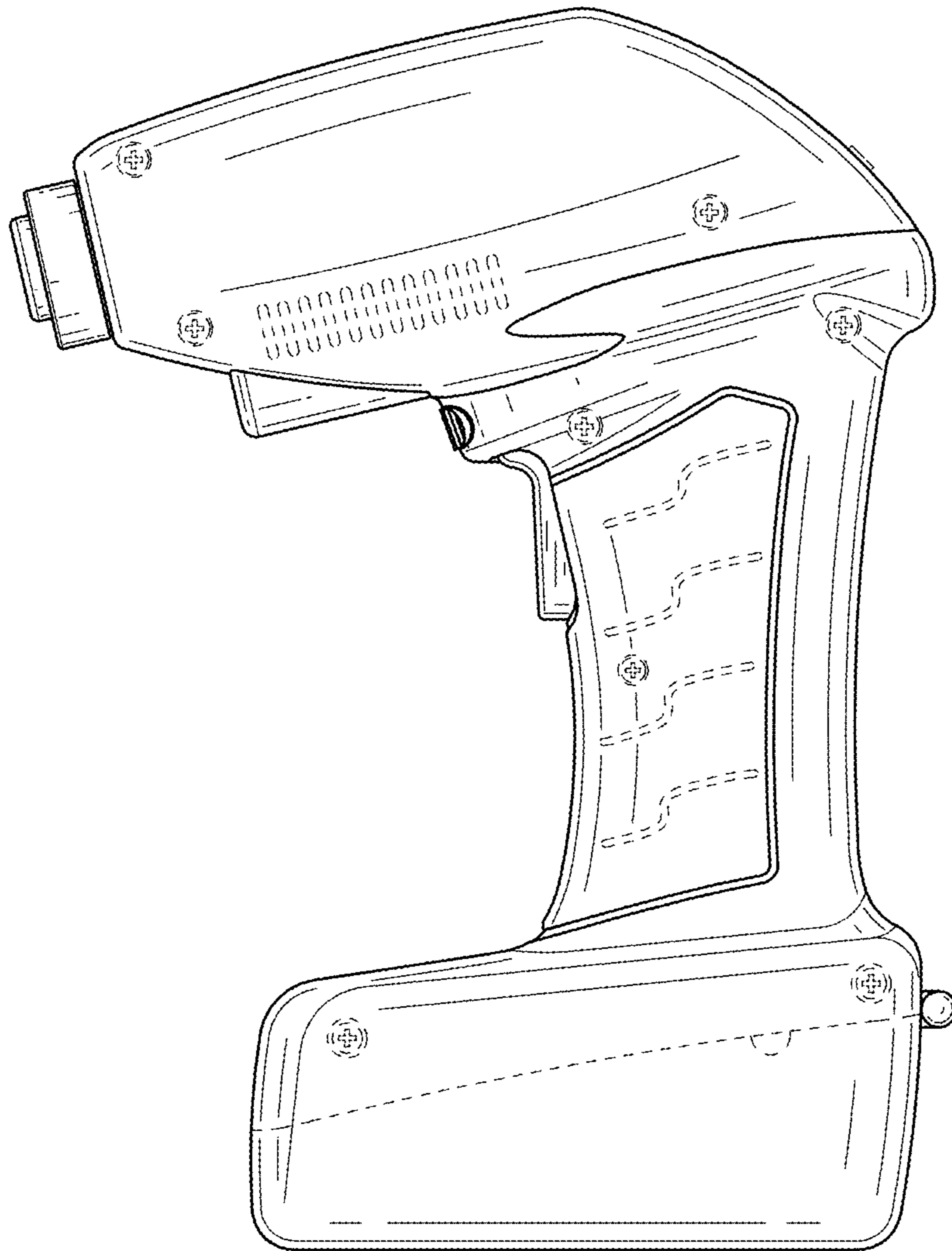


FIG. 6

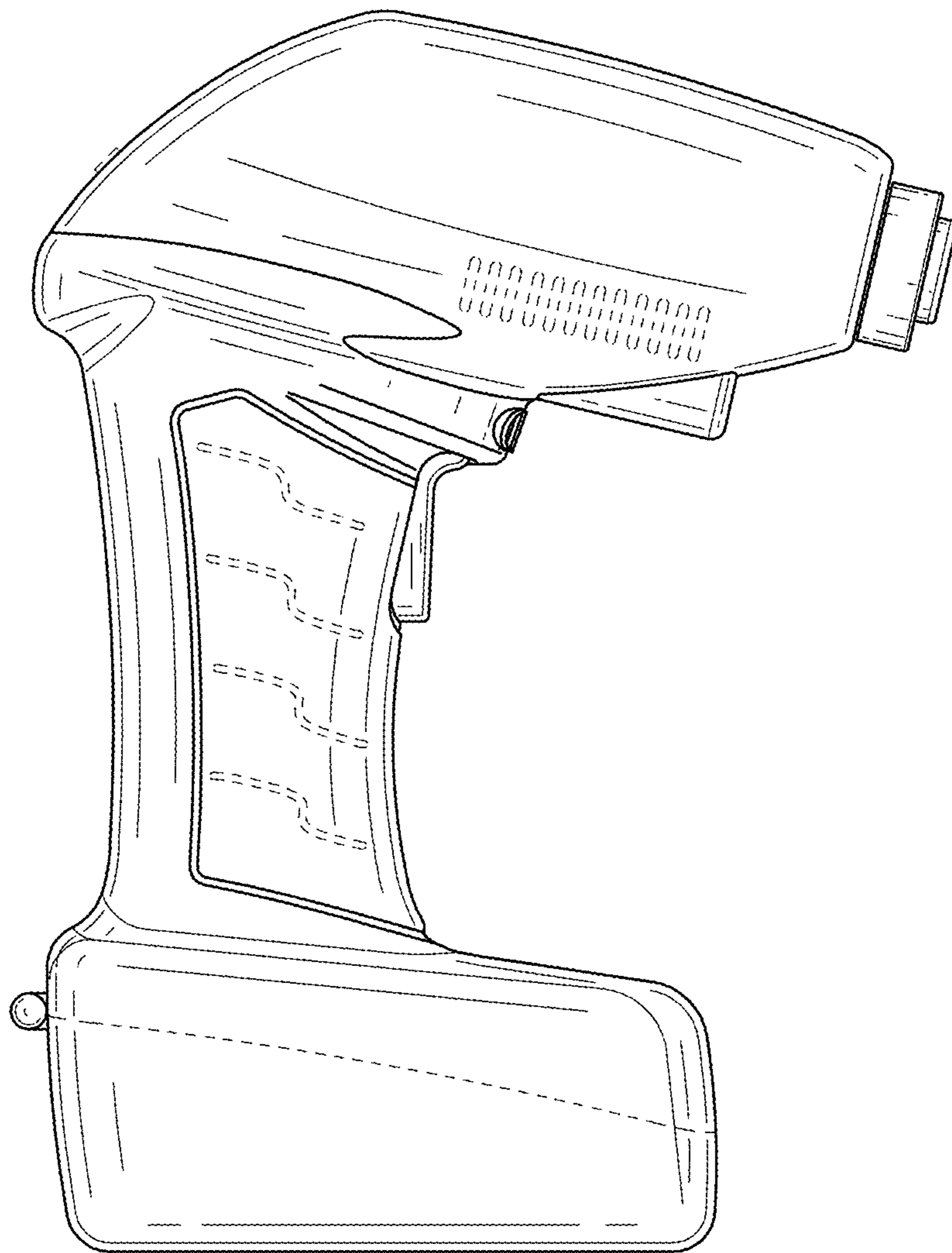


FIG. 7

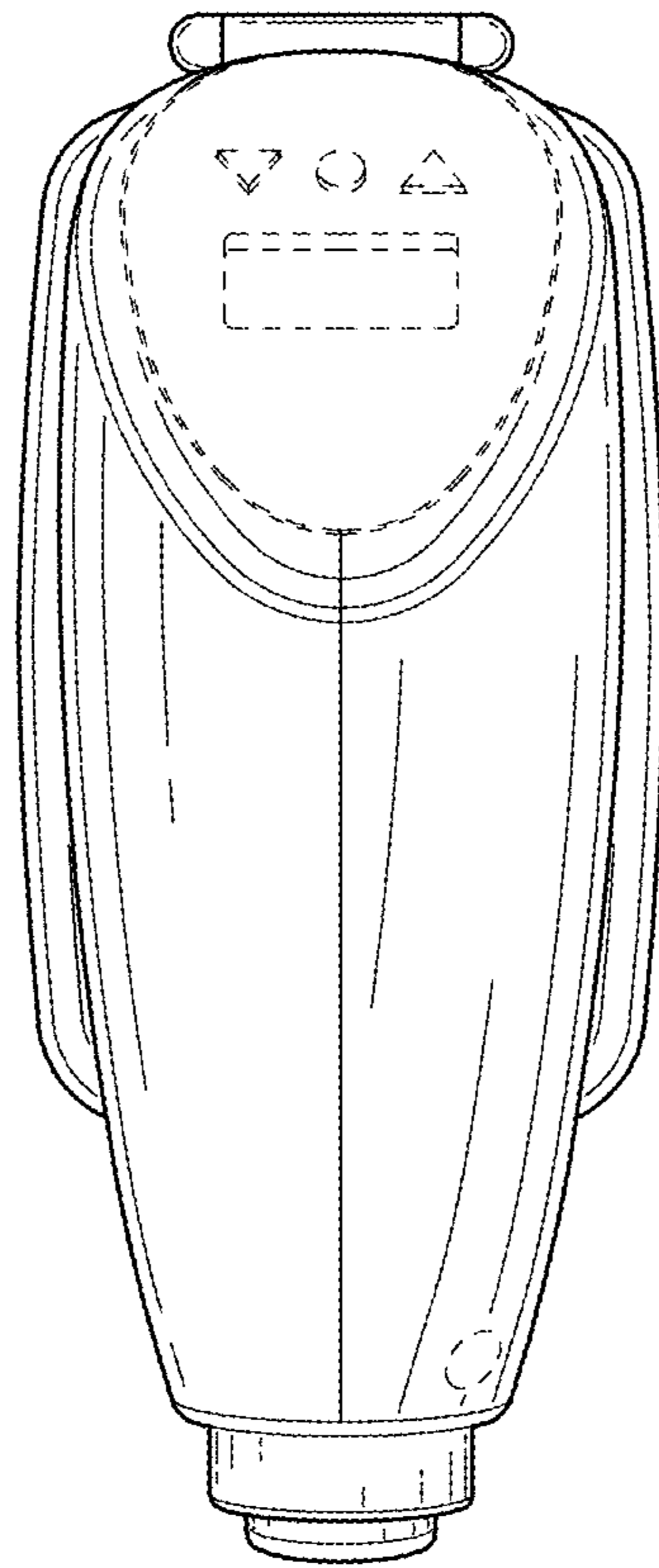


FIG. 8

