



US00D814261S

(12) **United States Design Patent**
Robidoux

(10) **Patent No.:** **US D814,261 S**
(45) **Date of Patent:** **** Apr. 3, 2018**

(54) **METAL FINISHING ROTARY TOOL**

(71) Applicant: **Easthill Group, Inc.**, Pottstown, PA
(US)

(72) Inventor: **Mark A. Robidoux**, Coatesville, PA
(US)

(73) Assignee: **Easthill Group, Inc.**, Pottstown, PA
(US)

(**) Term: **15 Years**

(21) Appl. No.: **29/596,621**

(22) Filed: **Mar. 9, 2017**

(51) **LOC (11) Cl.** **08-01**

(52) **U.S. Cl.**
USPC **D8/61**

(58) **Field of Classification Search**
USPC D8/61, 62, 67, 69; 81/57, 57.11, 57.14,
81/57.26, 429, 464, 469; 173/2, 170,
173/176, 181
CPC B25B 21/02; B25B 21/008; B25B 23/16;
B25B 23/1405; A61B 17/1615; B26D
7/18; B26D 7/2614; B26D 2007/2607;
B21B 27/02
See application file for complete search history.

(56) **References Cited**

U.S. PATENT DOCUMENTS

D266,222 S * 9/1982 Buscher D8/61
D375,439 S * 11/1996 Niwa D8/66

D492,560 S * 7/2004 Refson D8/61
D564,850 S * 3/2008 Bakker D8/61
D577,556 S * 9/2008 O'Hern D8/64
D586,636 S * 2/2009 Aglassinger D8/66
D648,999 S * 11/2011 Moreno D8/66
D651,882 S * 1/2012 Zhou D8/66
D693,664 S * 11/2013 Martin D8/64

* cited by examiner

Primary Examiner — Austin Murphy

(74) *Attorney, Agent, or Firm* — Design IP

(57) **CLAIM**

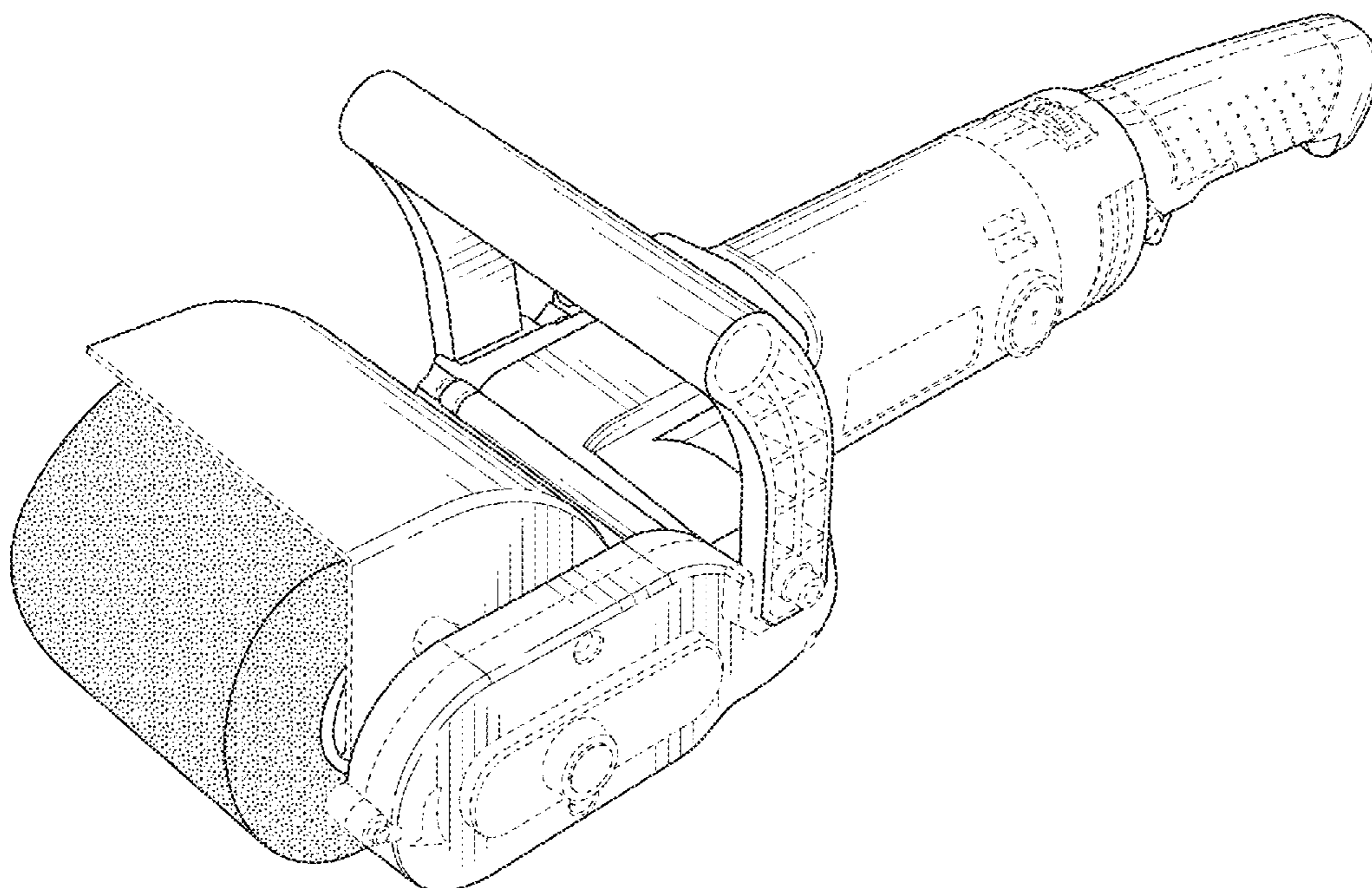
The ornamental design for a metal finishing rotary tool, as shown and described.

DESCRIPTION

FIG. 1 is a front perspective view of a metal finishing rotary tool showing my new design;
FIG. 2 is a front view thereof;
FIG. 3 is a rear view thereof;
FIG. 4 is a left side view thereof;
FIG. 5 is a right side view thereof;
FIG. 6 is a top view thereof; and,
FIG. 7 is a bottom view thereof.

The broken line showing of portions of the metal finishing rotary tool in FIGS. 1-7 is for the purpose of illustrating environmental structure and forms no part of the claimed design.

1 Claim, 6 Drawing Sheets



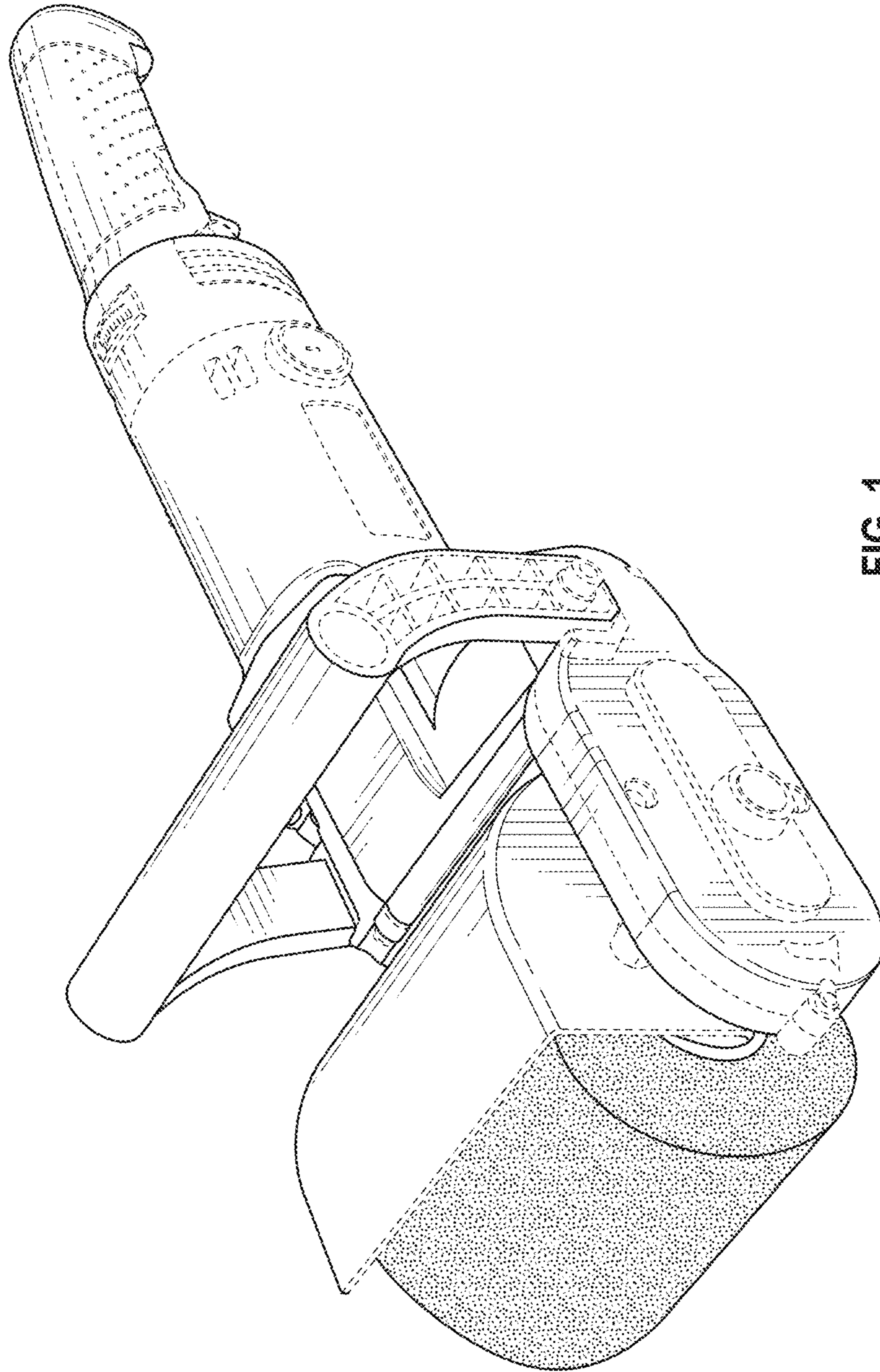


FIG. 1

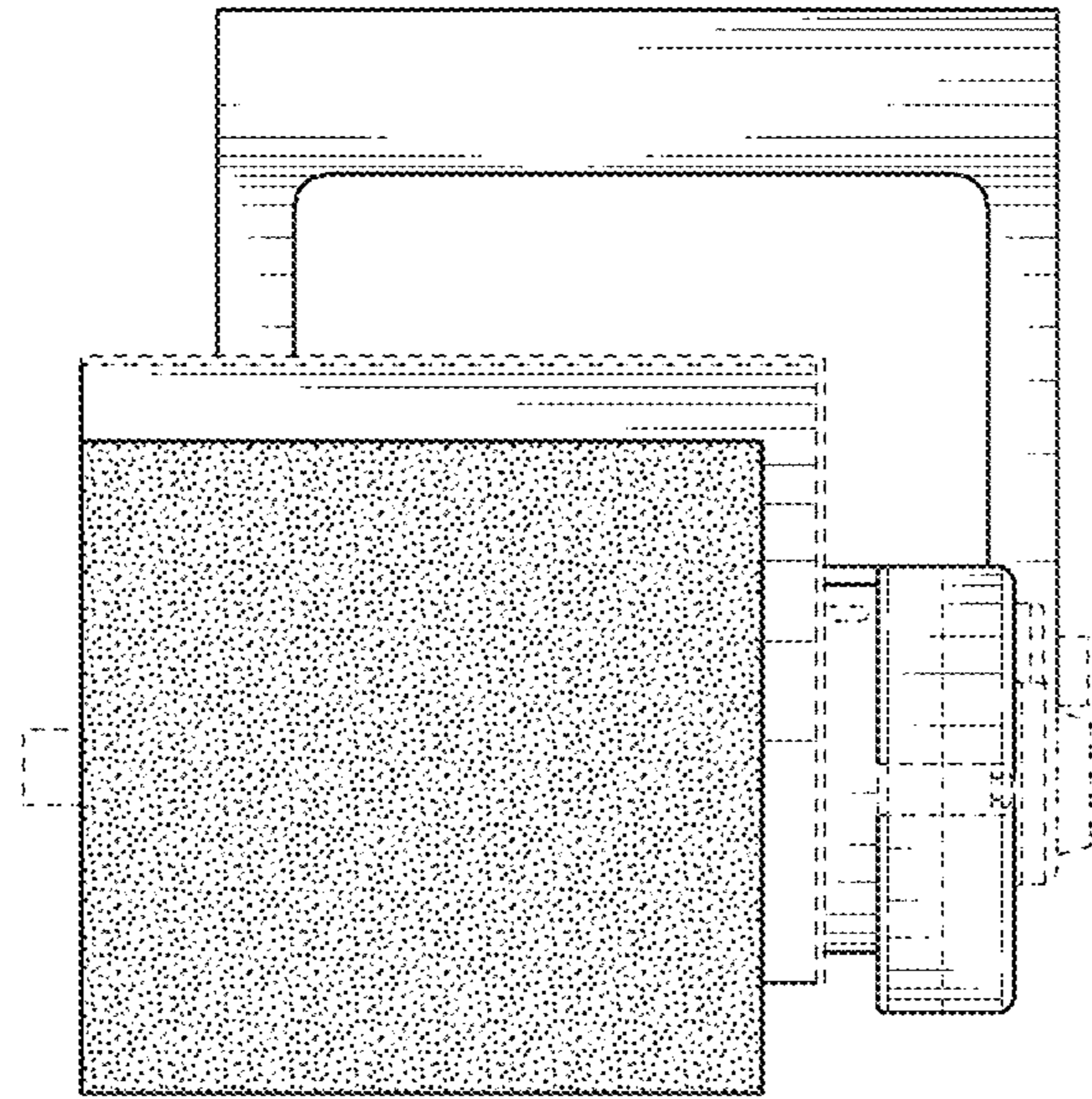


FIG. 2

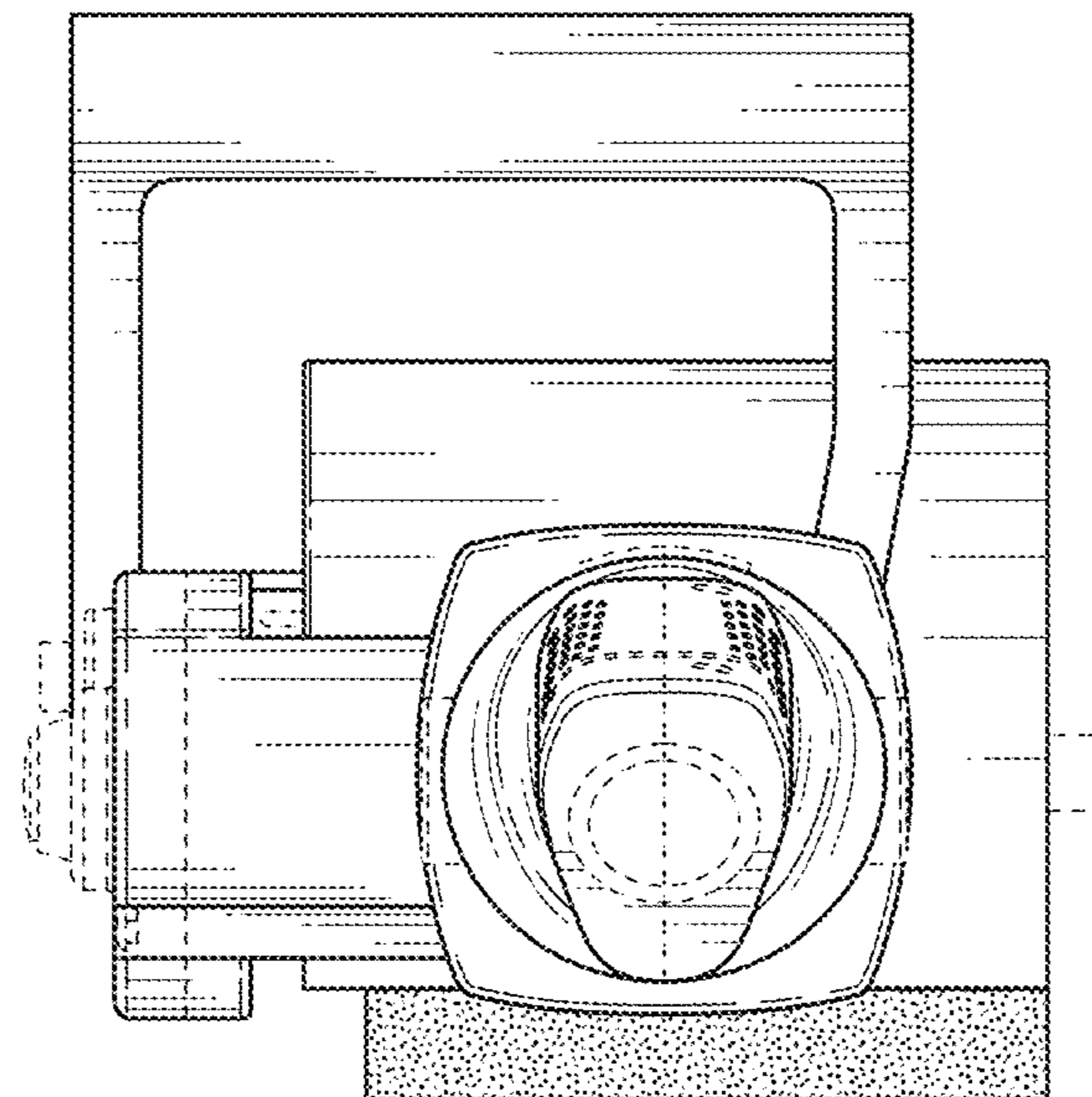


FIG. 3

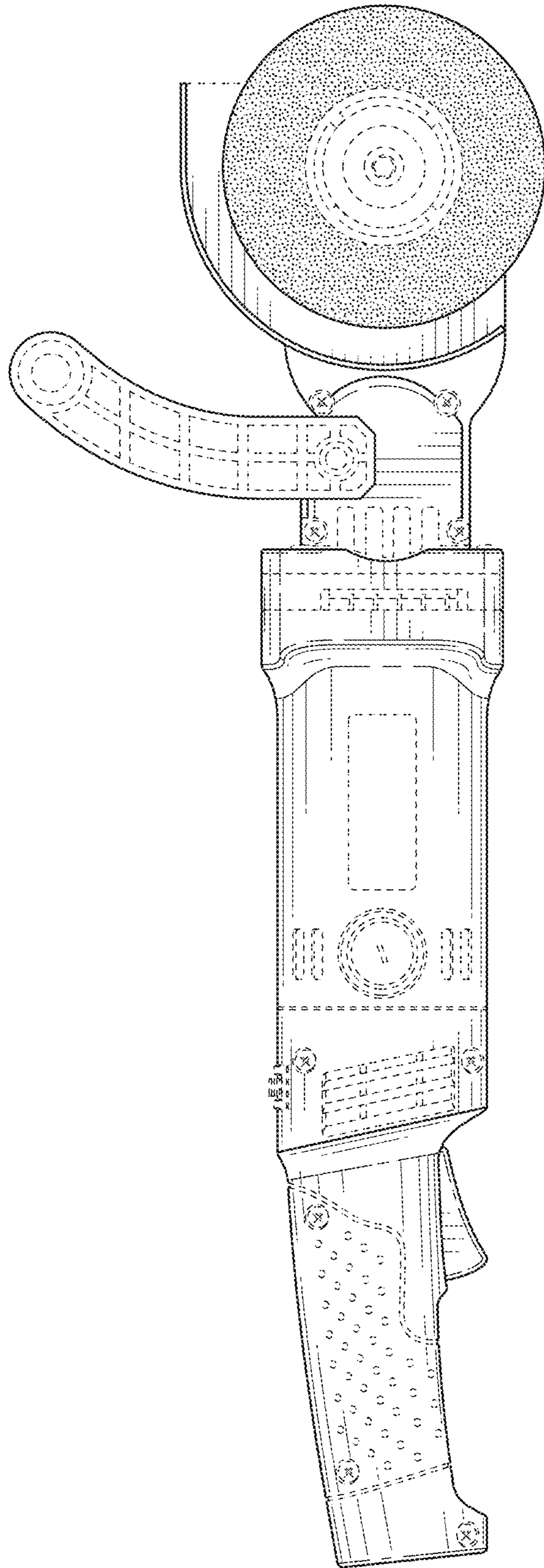


FIG. 4

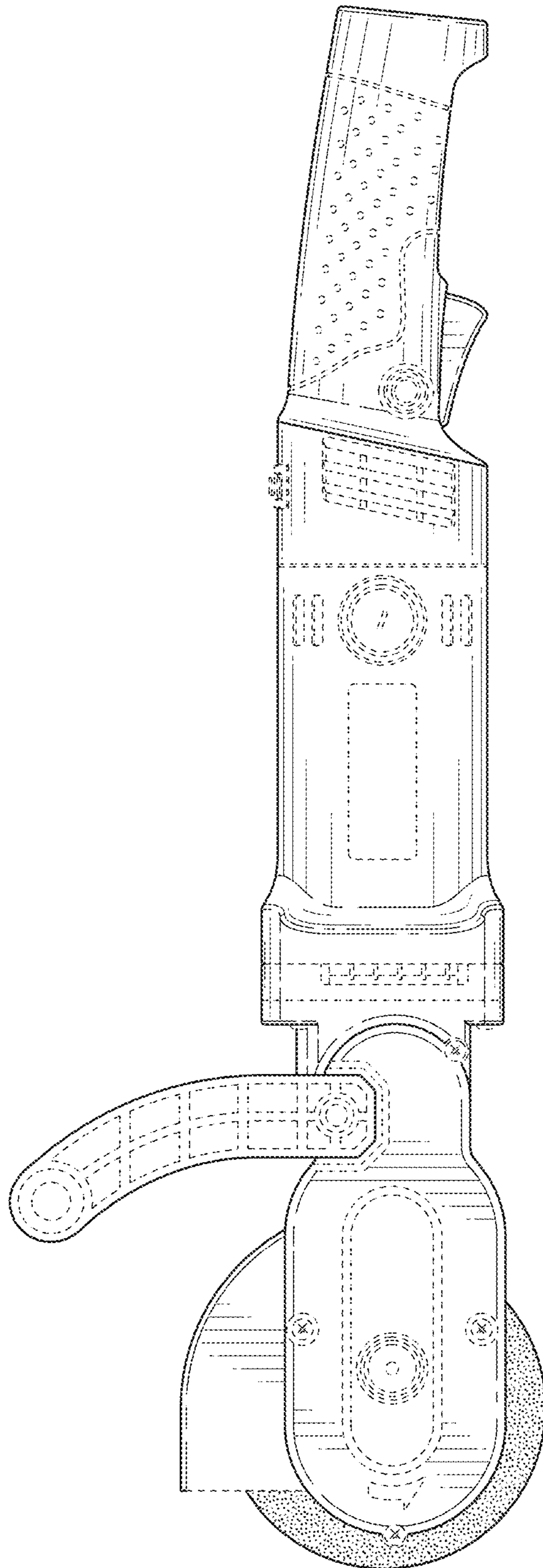


FIG. 5

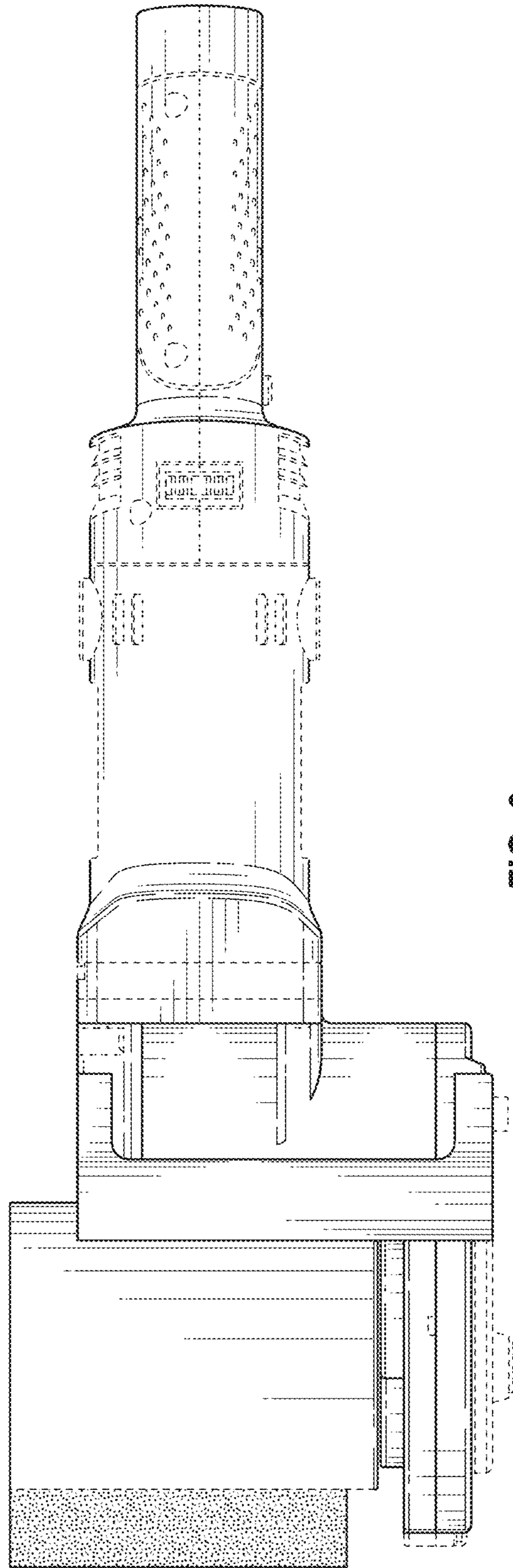


FIG. 6

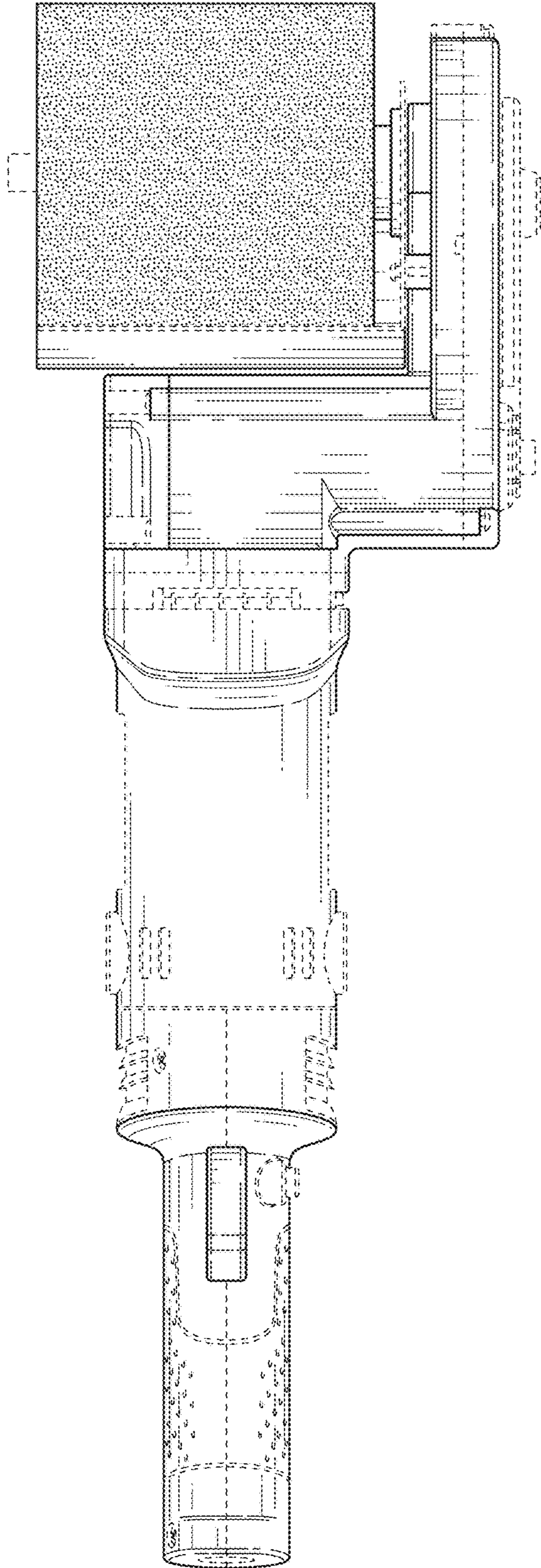


FIG. 7