



US00D814260S

(12) **United States Design Patent** (10) **Patent No.:** **US D814,260 S**  
**Dhubb** (45) **Date of Patent:** **\*\* Apr. 3, 2018**

(54) **ZIPPER REPAIR TOOL**  
(71) Applicant: **Belinda Dhubb**, Brampton (CA)  
(72) Inventor: **Belinda Dhubb**, Brampton (CA)  
(\*\*) Term: **15 Years**  
(21) Appl. No.: **29/604,679**  
(22) Filed: **May 19, 2017**

**Related U.S. Application Data**

(63) Continuation of application No. 14/058,351, filed on Oct. 21, 2013, now Pat. No. 9,687,049.  
(60) Provisional application No. 61/717,792, filed on Oct. 24, 2012.  
(51) **LOC (11) Cl.** ..... **08-05**  
(52) **U.S. Cl.**  
USPC ..... **D8/52**  
(58) **Field of Classification Search**  
USPC ..... D8/4, 5, 14, 51-582, 73  
CPC .. B25B 7/02; B25B 7/22; B26B 13/06; B26B 13/12; B26B 13/14  
See application file for complete search history.

4,815,210 A 3/1989 Burrage  
5,168,629 A 12/1992 Willard  
6,049,985 A 4/2000 Gonzalez et al.  
D449,501 S \* 10/2001 Lamond ..... D8/52  
D469,676 S \* 2/2003 Miles ..... D8/57  
6,839,949 B1 1/2005 Miknich  
D525,497 S \* 7/2006 Hermann ..... D8/52  
D536,938 S \* 2/2007 Hasegawa ..... D8/57  
7,424,838 B2 9/2008 Li et al.  
8,365,418 B2 2/2013 Tomasetti et al.  
8,443,518 B2 5/2013 Fisher  
9,242,360 B2 1/2016 Gresham et al.  
9,687,049 B2 \* 6/2017 Dhubb ..... A44B 19/00  
2002/0178875 A1 12/2002 Lin  
2004/0065178 A1 4/2004 Anderson et al.  
2006/0075642 A1 4/2006 Elkins  
2007/0240316 A1 10/2007 Yu et al.  
2010/0037465 A1 2/2010 Price  
2010/0212162 A1 8/2010 Ronan  
2012/0000019 A1 1/2012 Steele et al.

(Continued)

*Primary Examiner* — Deanna L Pratt  
(74) *Attorney, Agent, or Firm* — Global Intellectual Property Agency, LLC; Jordan Sworen

(57) **CLAIM**

The ornamental design for a zipper repair tool, as shown and described.

**DESCRIPTION**

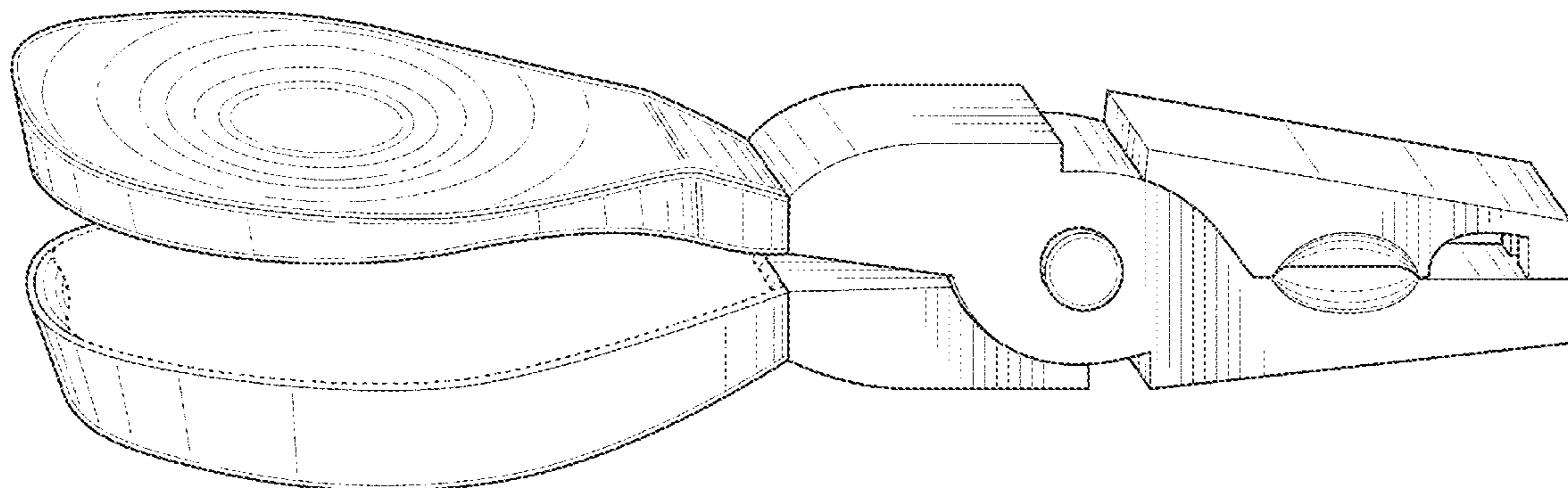
FIG. 1 shows a perspective view of the zipper repair tool. FIG. 2 shows a left side elevational view thereof. FIG. 3 shows a right side elevational view thereof. FIG. 4 shows a top plan view thereof. FIG. 5 shows a bottom plan view thereof. FIG. 6 shows a front elevational view thereof; and, FIG. 7 shows a rear elevational view thereof. The broken lines shown in the drawings represent environmental effects or potential embodiments and do not form any part of the claimed design.

**1 Claim, 4 Drawing Sheets**

(56) **References Cited**

**U.S. PATENT DOCUMENTS**

1,107,210 A 8/1914 Adams  
1,442,486 A 1/1923 Looke  
D152,927 S 3/1949 Stern  
D177,537 S \* 4/1956 Schinske ..... D8/58  
D180,409 S \* 6/1957 Lee ..... D8/58  
2,818,755 A 1/1958 Henry  
3,218,696 A 11/1965 Arthur  
3,461,713 A 8/1969 Donath  
3,503,114 A \* 3/1970 Stanton ..... A44B 19/00  
29/239  
4,229,881 A 10/1980 Troxel  
4,246,698 A 1/1981 Lasner et al.



(56)

**References Cited**

U.S. PATENT DOCUMENTS

2012/0186195 A1\* 7/2012 Moeller ..... B65B 67/06  
53/373.2

\* cited by examiner

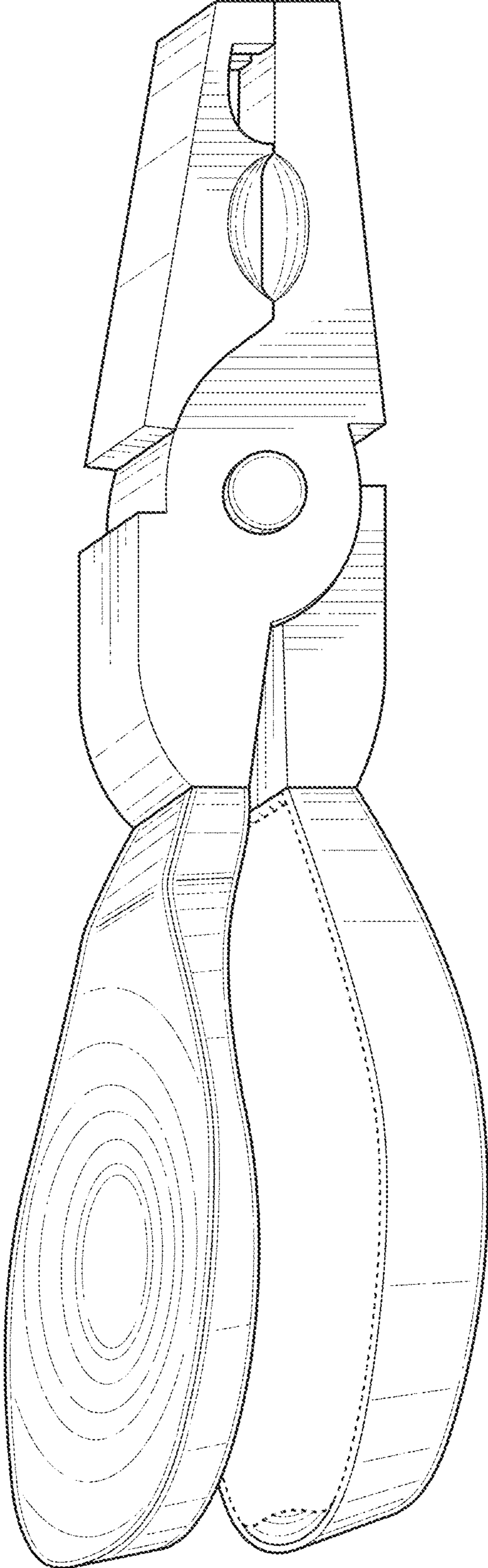


FIG. 1

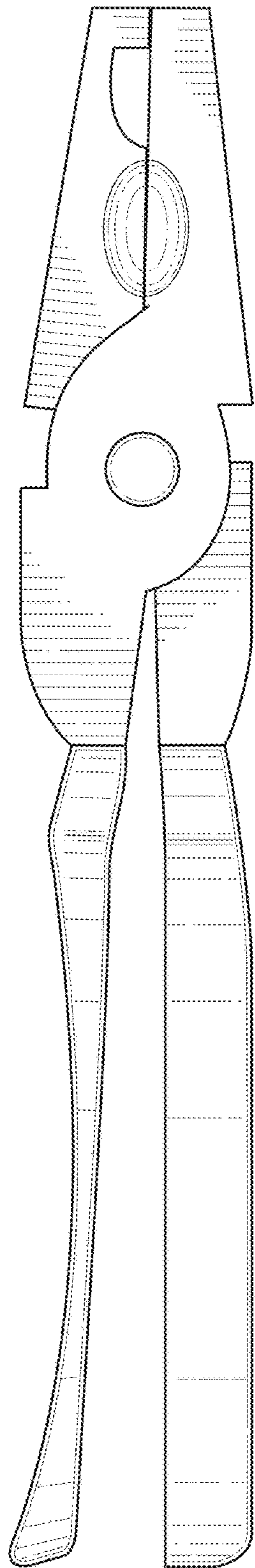


FIG. 2

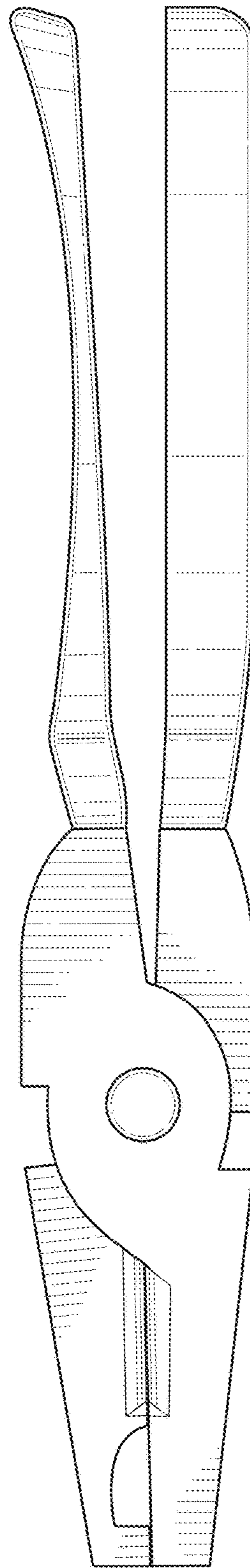


FIG. 3

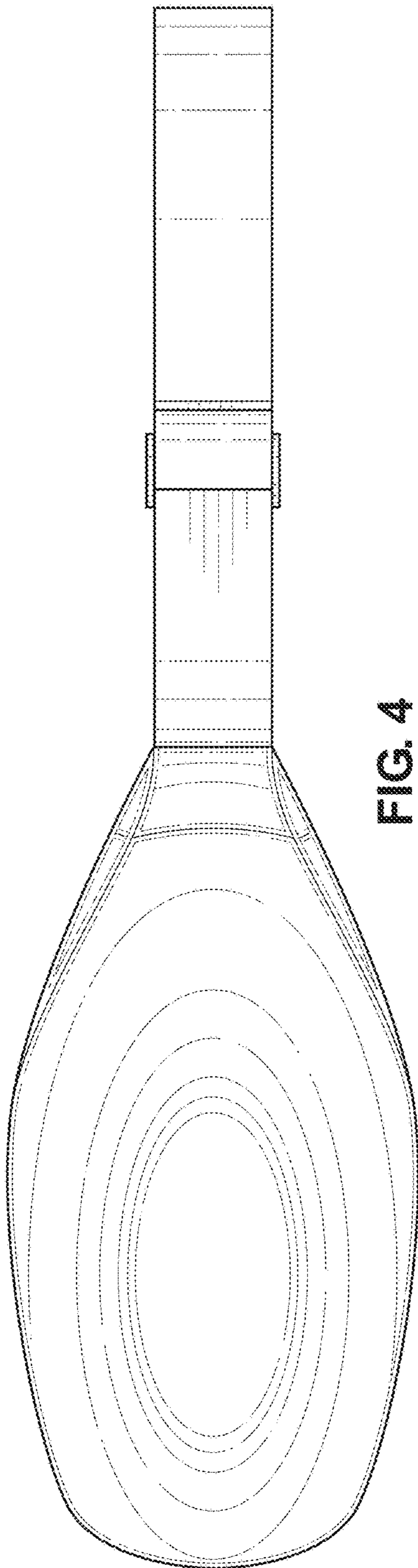


FIG. 4

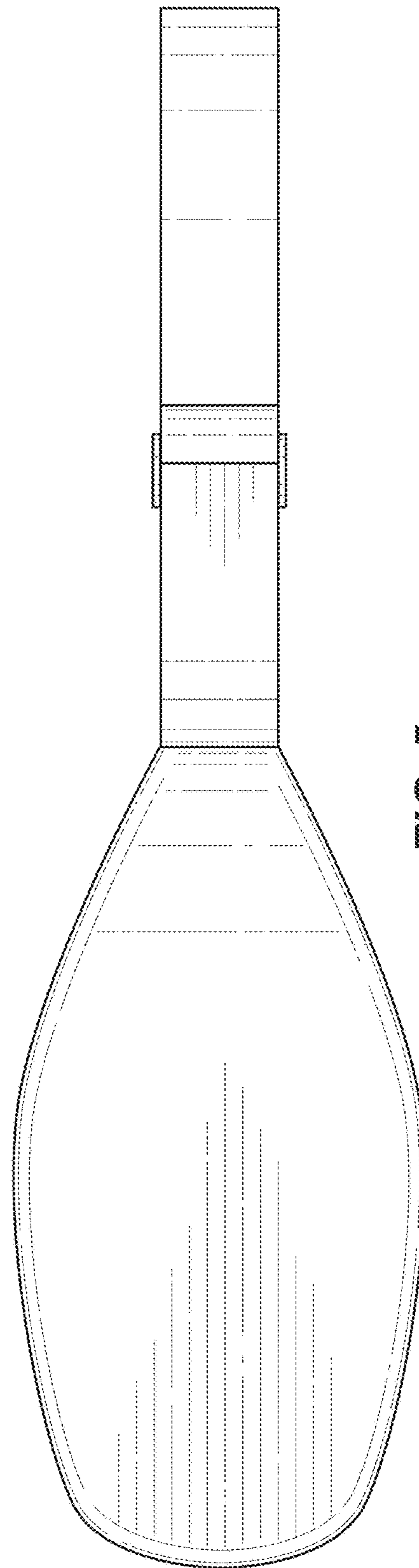


FIG. 5

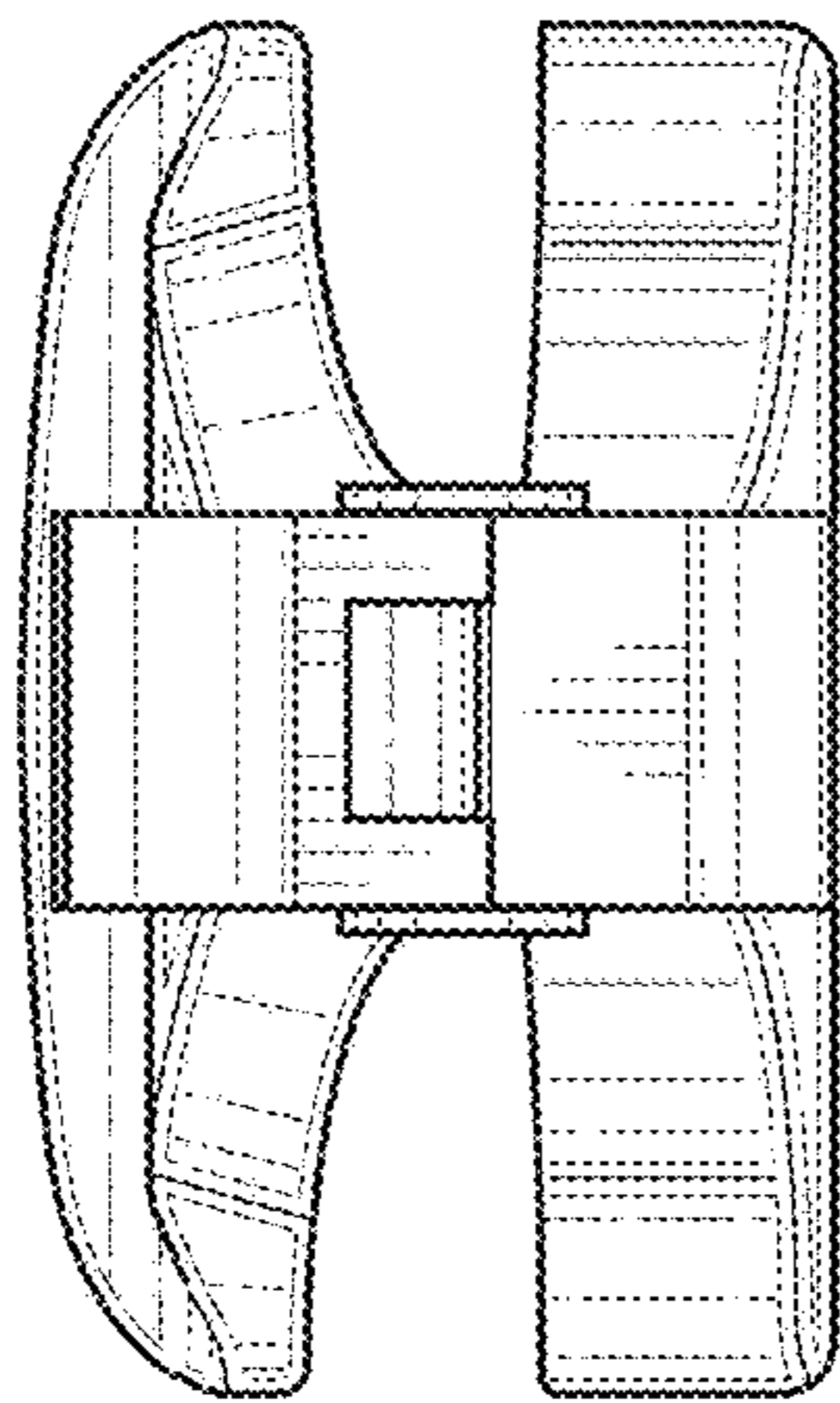


FIG. 6

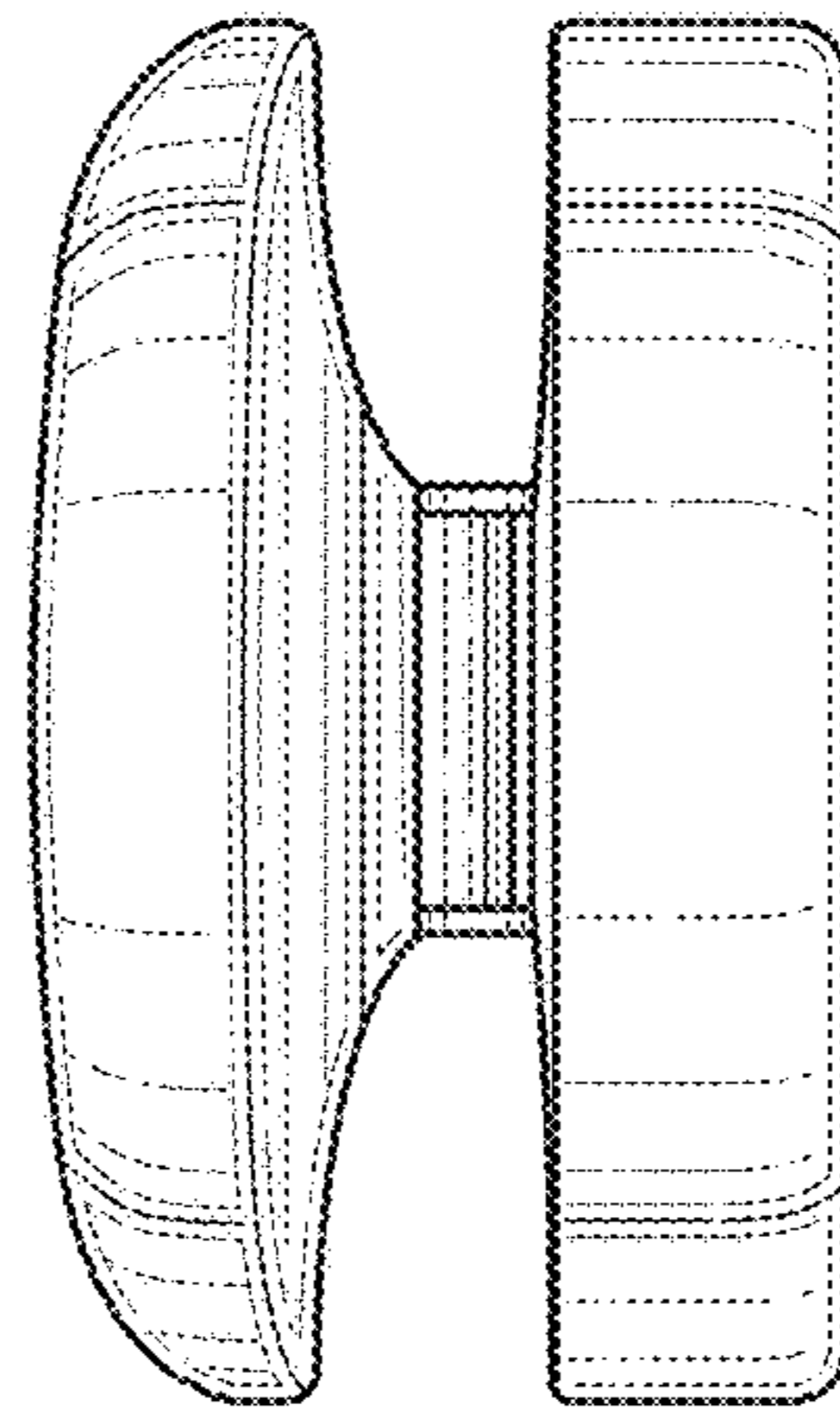


FIG. 7