



US00D814259S

(12) **United States Design Patent** (10) **Patent No.:** **US D814,259 S**  
**Feuerstein et al.** (45) **Date of Patent:** **\*\* Apr. 3, 2018**

(54) **SOCKET**

(71) Applicant: **Milwaukee Electric Tool Corporation**,  
Brookfield, WI (US)

(72) Inventors: **Jacob Feuerstein**, Milwaukee, WI  
(US); **Steven W. Hyma**, Milwaukee,  
WI (US)

(73) Assignee: **MILWAUKEE ELECTRIC TOOL**  
**CORPORATION**, Brookfield, WI (US)

4,489,628 A 12/1984 Nicastro  
4,607,547 A 8/1986 Martus  
4,699,029 A 10/1987 Kelly  
D299,613 S 1/1989 Laurie  
4,798,111 A 1/1989 Cheeseman  
4,800,786 A 1/1989 Arnold  
4,817,475 A 4/1989 Kelly  
4,825,732 A 5/1989 Arnold  
D303,342 S 9/1989 Katz  
4,882,958 A 11/1989 McNeeley  
4,947,713 A 8/1990 Arnold  
4,969,231 A 11/1990 Mader  
4,970,917 A 11/1990 McCollom

(Continued)

(\*\*) Term: **15 Years**

(21) Appl. No.: **29/574,592**

(22) Filed: **Aug. 17, 2016**

(51) **LOC (11) Cl.** ..... **08-05**

(52) **U.S. Cl.**  
USPC ..... **D8/29**

(58) **Field of Classification Search**  
USPC ..... D8/29; 81/60, 177.1, 177.85, 121.1,  
81/124.3, 165-170, 110.1, 176.2, 124.6,  
81/176.1, 176.15, 177.2, 186; 16/110.1  
CPC ..... B25B 13/06; B25B 13/065  
See application file for complete search history.

(56) **References Cited**

U.S. PATENT DOCUMENTS

838,109 A 12/1906 Frederick  
D59,417 S 10/1921 Graham  
D108,143 S 1/1938 Mandl  
D142,054 S 8/1945 Young  
2,895,362 A 7/1959 Jamgotchian  
3,651,720 A 3/1972 Indyk  
4,004,476 A 1/1977 DeVrou  
D246,415 S 11/1977 Critcher  
D264,300 S 5/1982 Imm  
4,328,720 A 5/1982 Shiel  
D274,881 S 7/1984 Wisley  
D275,443 S 9/1984 Snaper

FOREIGN PATENT DOCUMENTS

CN 204686733 U 10/2015  
DE 19541786 B4 8/2004

(Continued)

*Primary Examiner* — Randall H Gholson

(74) *Attorney, Agent, or Firm* — Michael Best & Friedrich LLP

(57) **CLAIM**

We claim the ornamental design for a socket, as shown and described.

**DESCRIPTION**

FIG. 1 is a perspective view of a socket embodying the invention;

FIG. 2 is a front view of the socket of FIG. 1;

FIG. 3 is a left side view of the socket of FIG. 1;

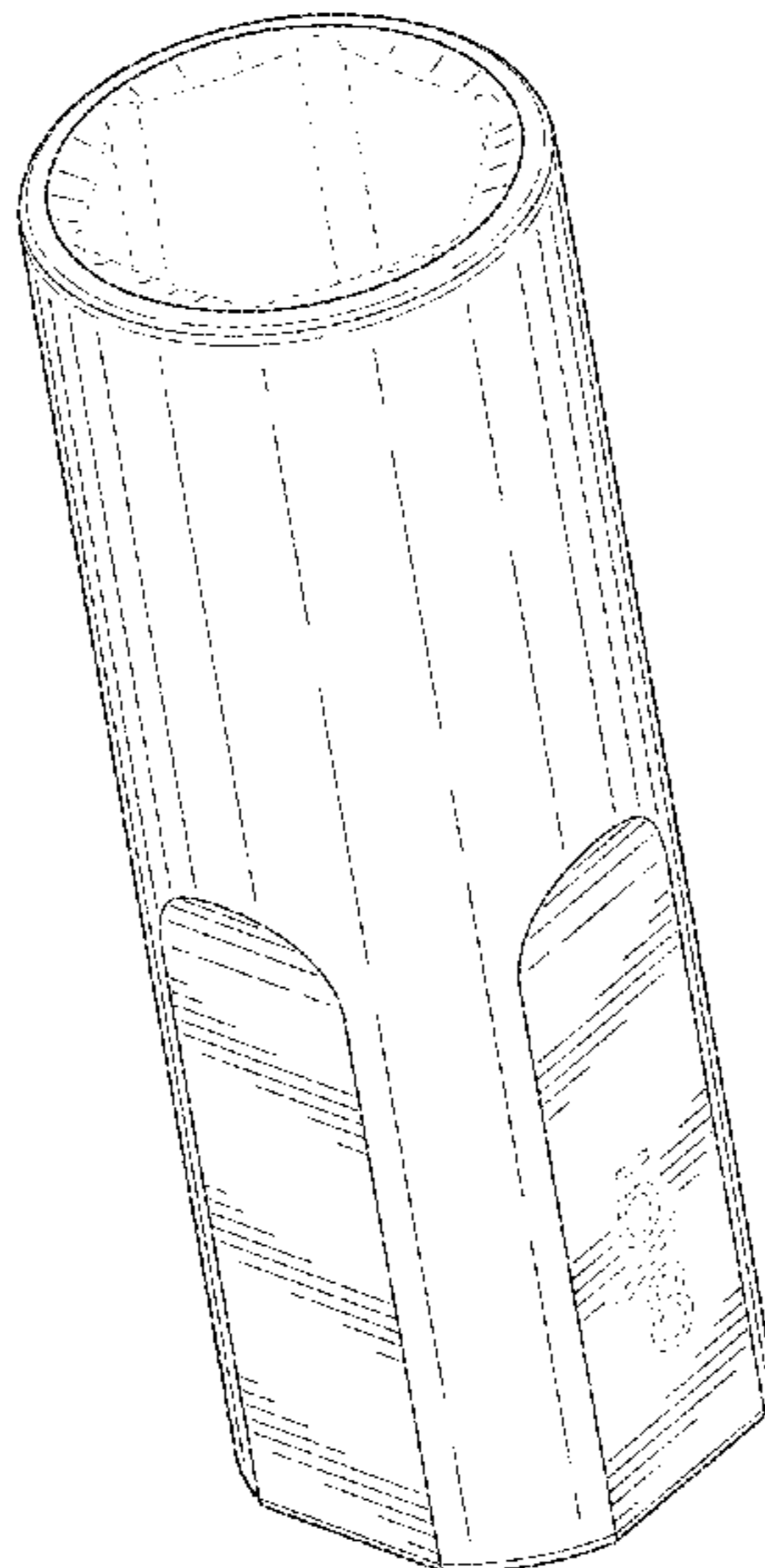
FIG. 4 is a top view of the socket of FIG. 1; and,

FIG. 5 is a bottom view of the socket of FIG. 1.

The elements shown in broken lines are included for the purpose of illustrating environment and form no part of the claimed design.

Sockets as illustrated in the figures are used with ratchet wrenches to loosen or tighten nuts and bolts.

**1 Claim, 3 Drawing Sheets**



(56)

References Cited

U.S. PATENT DOCUMENTS

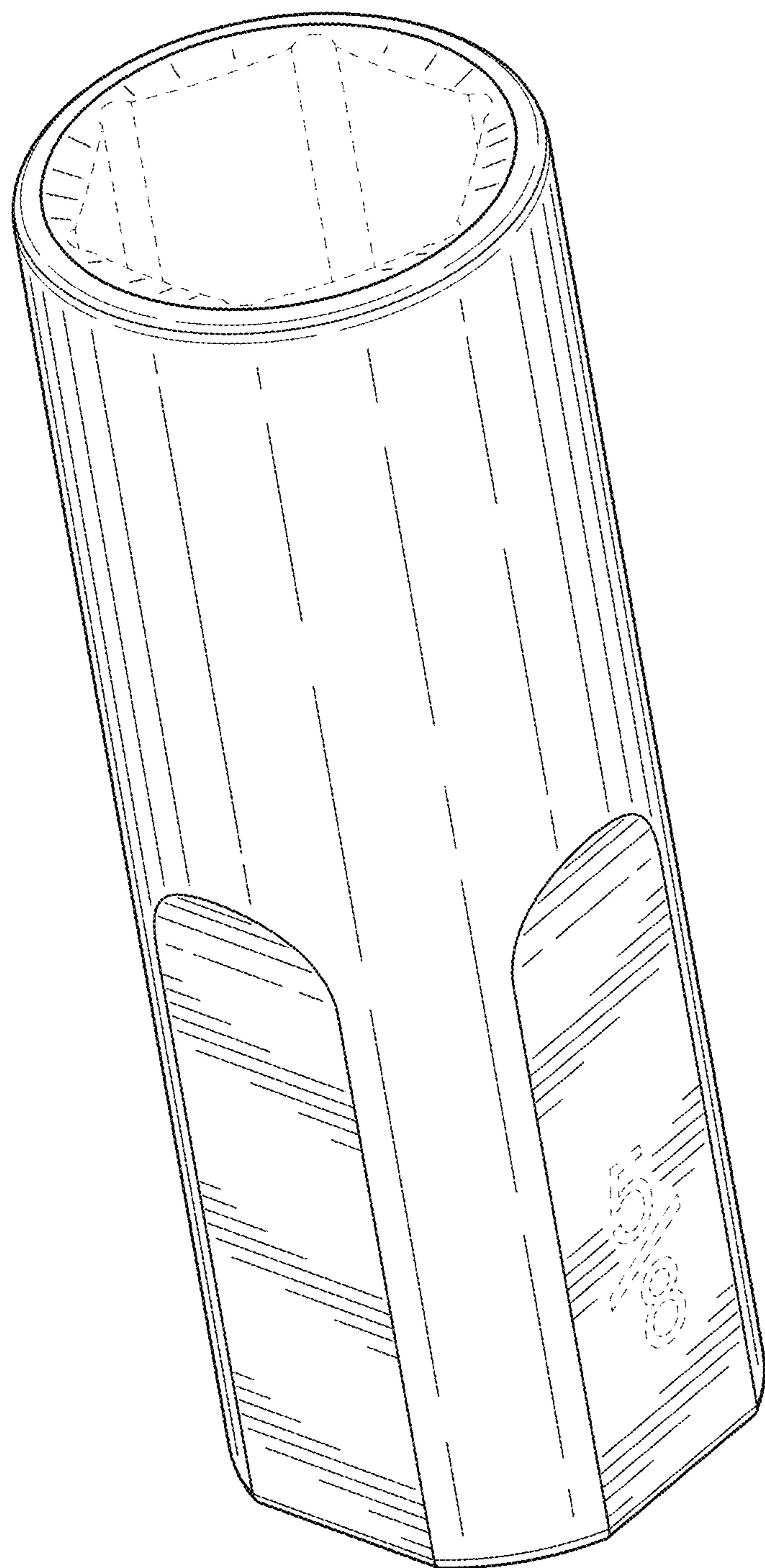
4,982,627 A 1/1991 Johnson  
 5,009,133 A 4/1991 Carey  
 D349,025 S 7/1991 Romero  
 5,031,488 A 7/1991 Zumeta  
 D318,997 S 8/1991 Baker  
 D319,562 S 9/1991 Ballard  
 5,048,379 A 9/1991 Gramera  
 5,079,978 A 1/1992 Kupfer  
 D353,756 S 12/1994 Graves  
 5,421,224 A 6/1995 Bond  
 5,551,320 A 9/1996 Horobec  
 D381,247 S 7/1997 Zayat  
 5,664,467 A 9/1997 Breeze  
 D385,166 S 10/1997 Mundon  
 D390,432 S 2/1998 Shaffer  
 5,724,872 A 3/1998 Shih  
 5,782,148 A 7/1998 Kerkhoven  
 D397,598 S 9/1998 Falk  
 D398,823 S 9/1998 Hsieh  
 5,819,606 A 10/1998 Arnold  
 D402,517 S 12/1998 Gracia  
 5,901,620 A 5/1999 Arnold  
 D410,367 S 6/1999 Applegate  
 5,943,924 A 8/1999 Jarvis  
 5,957,012 A 9/1999 McCune  
 5,960,682 A 10/1999 Yamashita  
 6,047,618 A 4/2000 Pieri  
 D425,385 S 5/2000 Jarvis  
 D425,770 S 5/2000 Hsieh  
 D426,130 S 6/2000 Boukhny  
 6,178,854 B1 1/2001 Shih  
 D437,537 S 2/2001 Carter, Jr.  
 D438,767 S 3/2001 Luxon  
 D442,837 S 5/2001 Porras  
 6,282,994 B1 9/2001 Wei  
 6,321,625 B1 11/2001 Fernandez

6,397,706 B1 6/2002 Maznicki  
 D459,961 S 7/2002 Carroll  
 D464,545 S 10/2002 Marty  
 D466,766 S 12/2002 Marty  
 D477,198 S \* 7/2003 Staton ..... D8/29  
 6,626,067 B1 9/2003 Iwinski  
 D489,589 S 5/2004 Wiljanen  
 6,761,093 B2 7/2004 Chang  
 6,951,156 B2 10/2005 Garg  
 D521,826 S \* 5/2006 Hsieh  
 7,036,401 B2 5/2006 Carroll  
 D550,049 S 9/2007 Peng  
 D552,442 S 10/2007 Hutchings  
 D567,605 S \* 4/2008 Yu ..... D8/29  
 D583,656 S \* 12/2008 Bush ..... D8/397  
 D584,118 S 1/2009 Halstead  
 D611,789 S \* 3/2010 Taylor, Jr. .... D8/29  
 D630,920 S 1/2011 Smith  
 D632,148 S \* 2/2011 Li ..... D8/29  
 D632,149 S 2/2011 Li  
 8,205,529 B1 6/2012 Laurie  
 8,528,450 B2 9/2013 Lan  
 D750,457 S \* 3/2016 Li ..... D8/29  
 D755,028 S \* 5/2016 Yu ..... D8/29  
 D761,630 S 7/2016 Li  
 2003/0126960 A1 7/2003 Chen  
 2005/0098001 A1 5/2005 Walker  
 2008/0121073 A1 5/2008 Williams

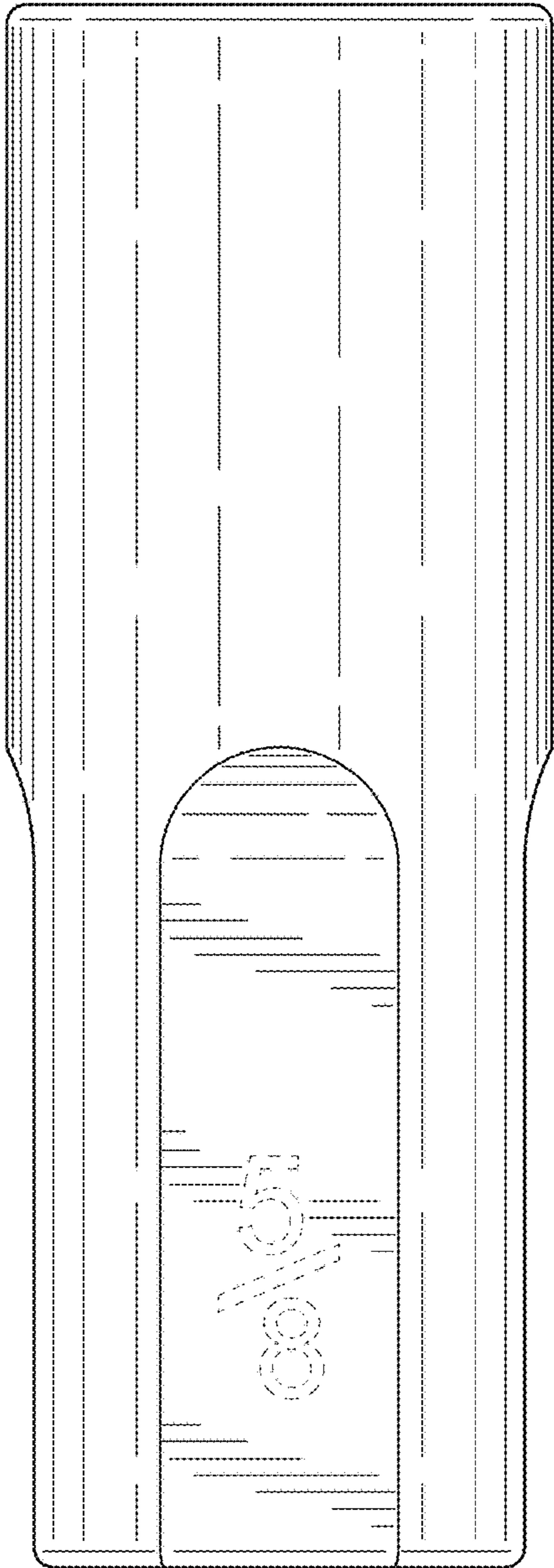
FOREIGN PATENT DOCUMENTS

EP 0165237 B1 9/1991  
 EP 0955129 B1 3/2002  
 EP 0934140 B1 7/2002  
 EP 0976502 B1 7/2002  
 EP 0939686 B1 8/2002  
 GB 2275637 B 3/1996

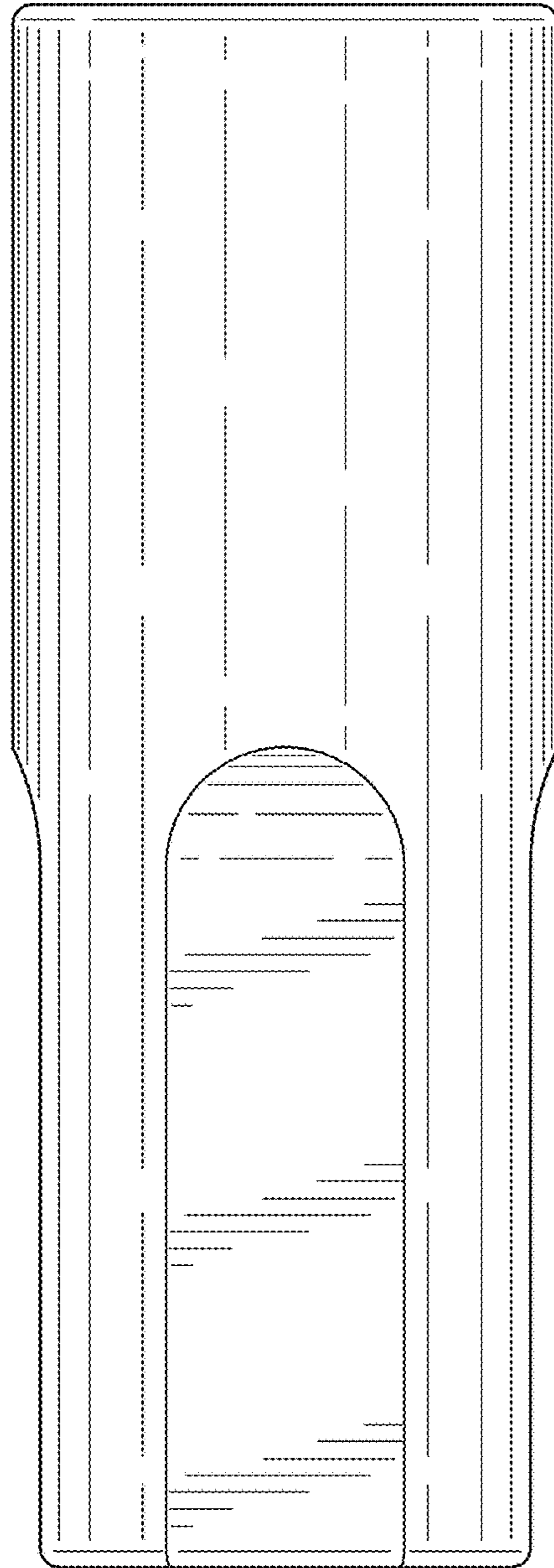
\* cited by examiner



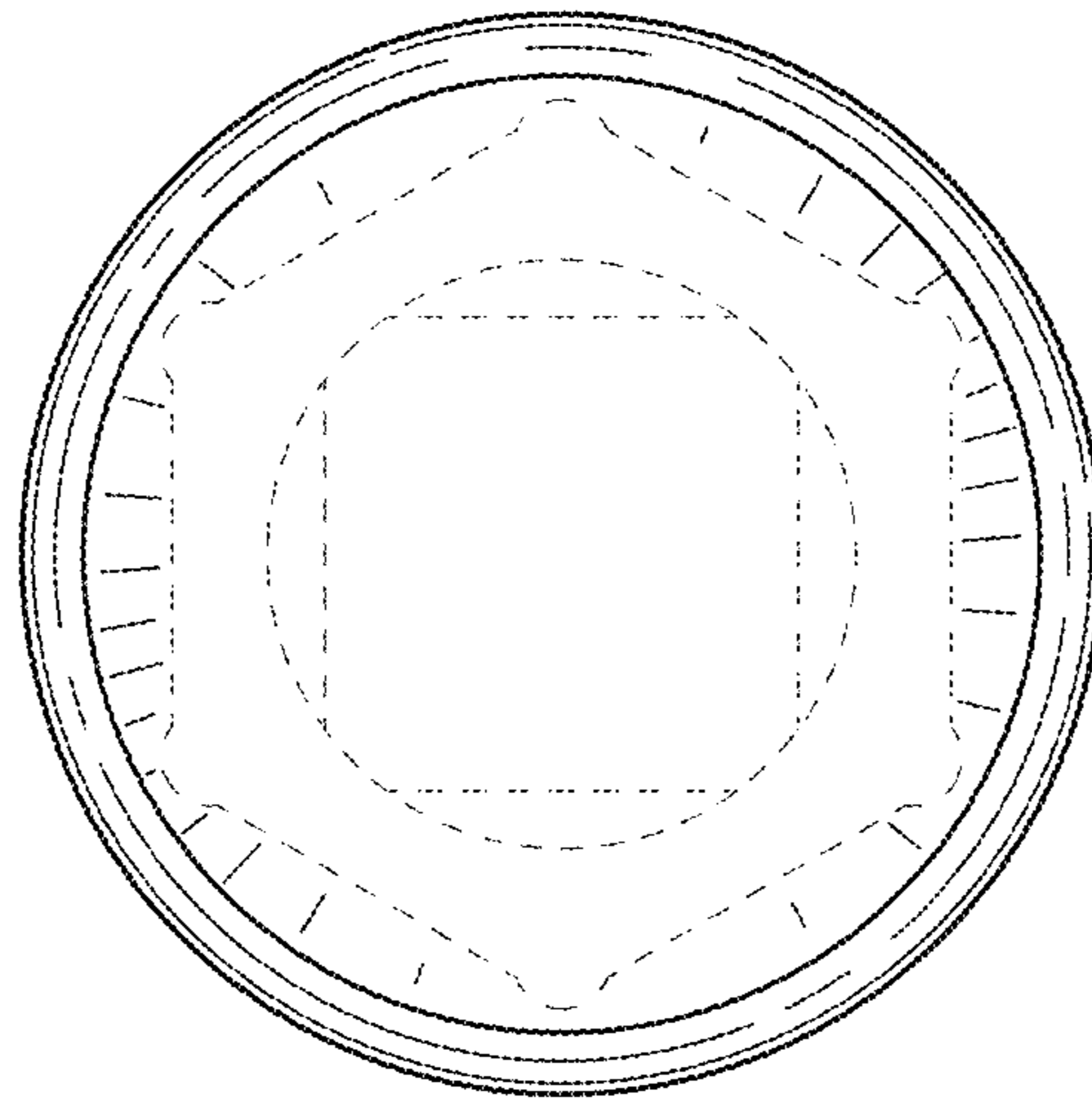
**FIG. 1**



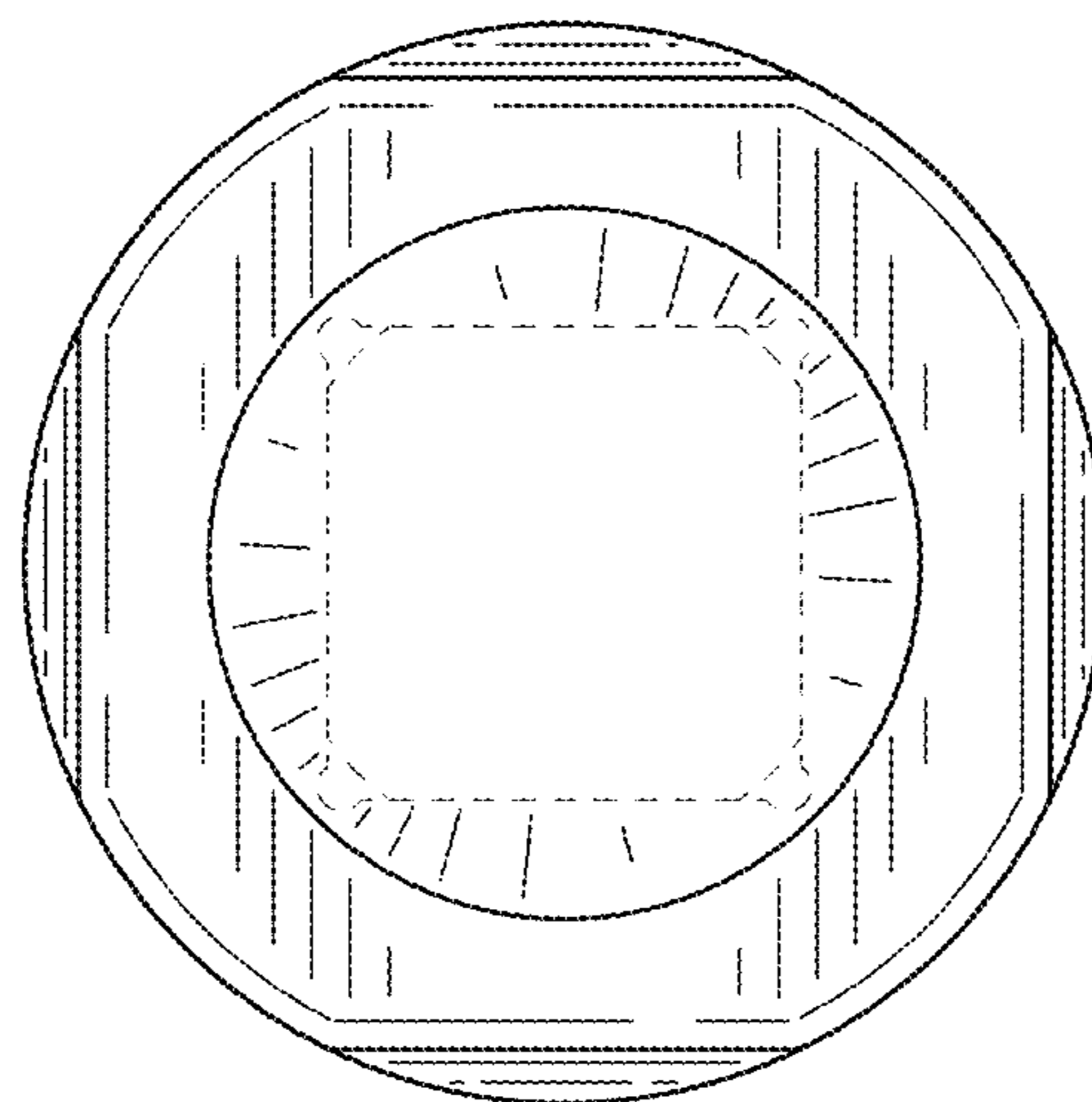
**FIG. 2**



**FIG. 3**



**FIG. 4**



**FIG. 5**