



US00D814258S

(12) **United States Design Patent**
Yang

(10) **Patent No.:** **US D814,258 S**

(45) **Date of Patent:** **** *Apr. 3, 2018**

(54) **WRENCH**

(71) Applicant: **Cheng-Pu Yang**, Taichung (TW)

(72) Inventor: **Cheng-Pu Yang**, Taichung (TW)

(*) Notice: This patent is subject to a terminal disclaimer.

(**) Term: **15 Years**

(21) Appl. No.: **29/557,695**

(22) Filed: **Mar. 10, 2016**

(51) **LOC (11) Cl.** **08-05**

(52) **U.S. Cl.**
USPC **D8/28**

(58) **Field of Classification Search**
USPC D8/17, 21-29; 81/58, 58.2, 119, 124.2,
81/124.4, 125.1, 186
CPC B25B 13/02; B25B 13/08; B25B 13/04;
B25B 13/065
See application file for complete search history.

(56) **References Cited**

U.S. PATENT DOCUMENTS

- 5,148,726 A * 9/1992 Huebschen B25B 13/08
81/119
- D481,276 S * 10/2003 Hu D8/28

- D496,238 S * 9/2004 Hsien D8/28
- D499,619 S * 12/2004 Hsien D8/28
- D562,655 S * 2/2008 Chen D8/28
- D567,603 S * 4/2008 Chang D8/28
- D636,649 S * 4/2011 Christopher D8/28
- D658,462 S * 5/2012 Hsieh D8/28
- D661,560 S * 6/2012 Chang D8/28
- D713,226 S * 9/2014 Chang D8/28
- D740,090 S * 10/2015 Manuel, Jr. D8/27
- 9,156,141 B2 * 10/2015 Chang B25B 13/56

* cited by examiner

Primary Examiner — Randall Gholson

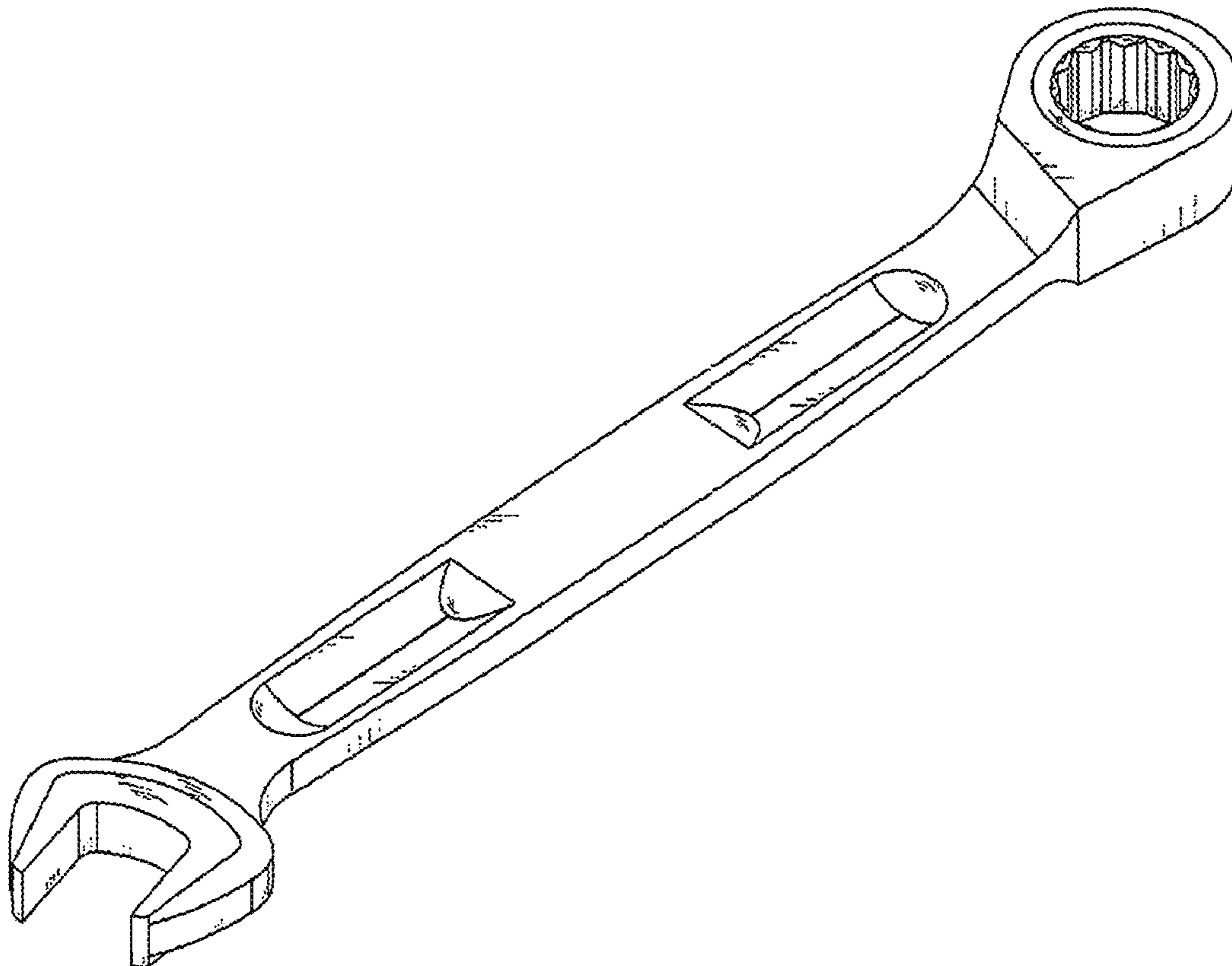
(57) **CLAIM**

The ornamental design for a wrench, as shown and described.

DESCRIPTION

FIG. 1 is a perspective view of the wrench showing my new design;
 FIG. 2 is a front elevation view of the wrench of FIG. 1;
 FIG. 3 is a rear elevation view of the wrench of FIG. 1;
 FIG. 4 is a left side elevation view of the wrench of FIG. 1;
 FIG. 5 is a right side elevation view of the wrench of FIG. 1;
 FIG. 6 is a top plan view of the wrench of FIG. 1; and,
 FIG. 7 is a bottom plan view of the wrench of FIG. 1.

1 Claim, 4 Drawing Sheets



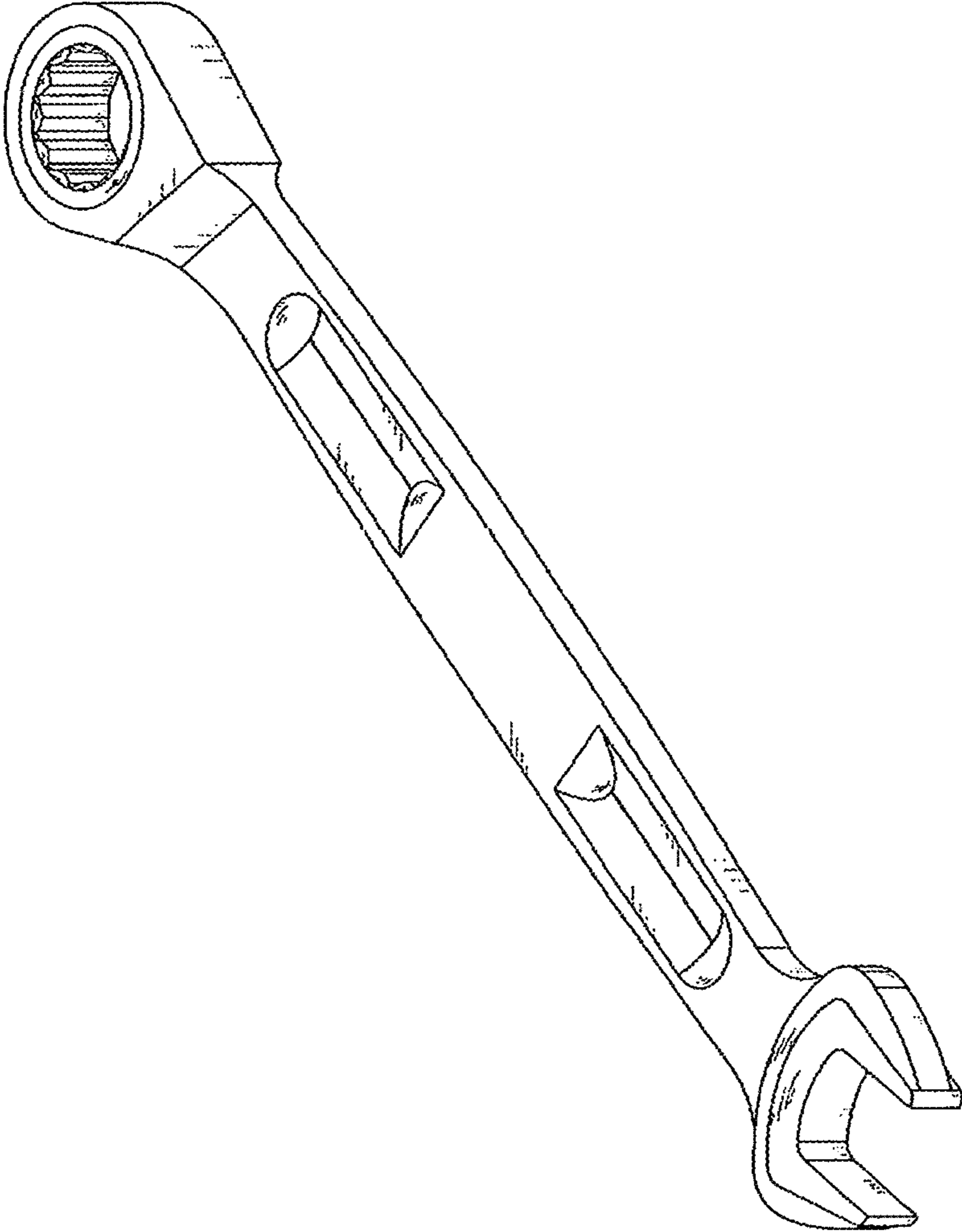


FIG.1

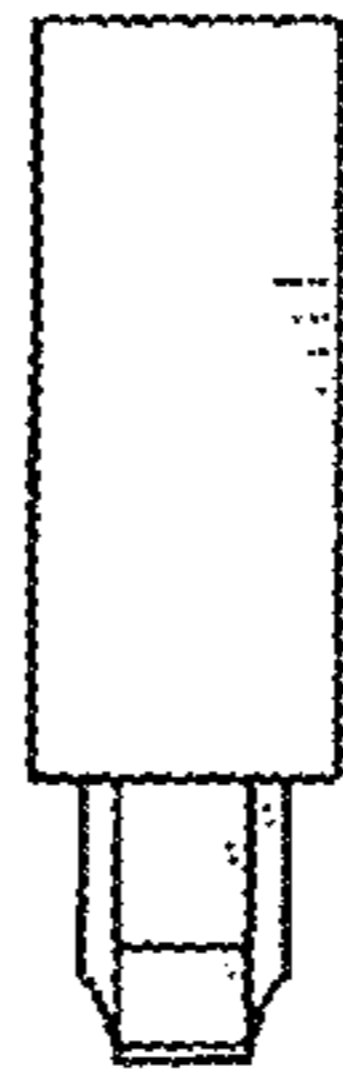


FIG.3

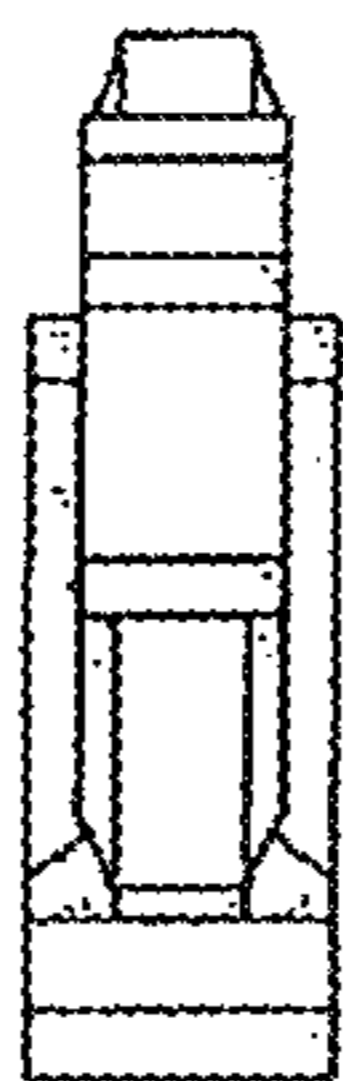


FIG.2

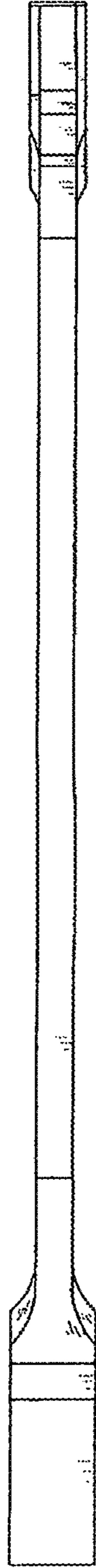


FIG.4

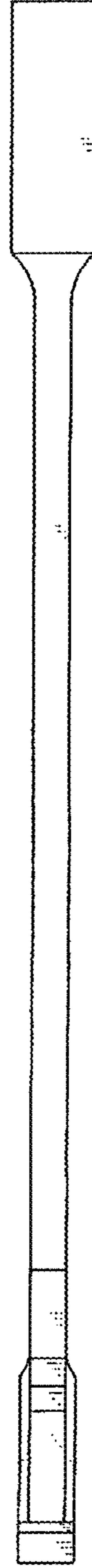


FIG.5

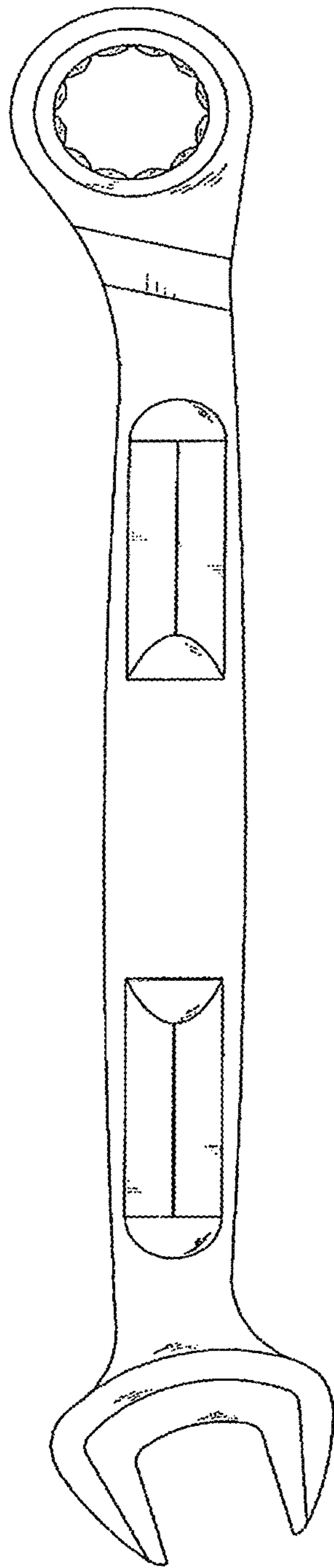


FIG. 6

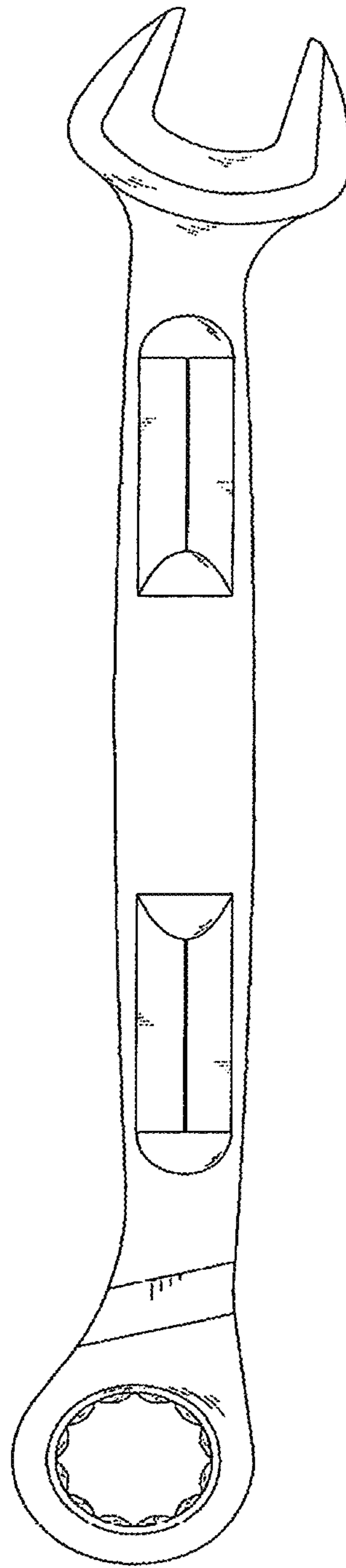


FIG. 7