



US00D814257S

(12) **United States Design Patent** (10) **Patent No.:** **US D814,257 S**
Berndt (45) **Date of Patent:** **** Apr. 3, 2018**

(54) **OIL FILTER EXTRACTOR TOOL**
(71) Applicant: **Chris Berndt**, Sebastopol, CA (US)
(72) Inventor: **Chris Berndt**, Sebastopol, CA (US)
(**) Term: **15 Years**
(21) Appl. No.: **29/585,420**
(22) Filed: **Nov. 23, 2016**

5,992,910 A * 11/1999 Kwon B66C 1/66
294/215
D453,011 S * 1/2002 Canady D12/197
D459,284 S * 6/2002 Canady D12/197
6,592,756 B1 * 7/2003 Felix, Jr. B01D 29/23
210/167.12
D544,424 S * 6/2007 Bauer D12/197
D605,500 S * 12/2009 Lee D8/387
2003/0180118 A1 * 9/2003 Alba B66C 1/66
411/400
2012/0091140 A1 * 4/2012 Monen, Jr. B01D 35/31
220/327

(51) **LOC (11) Cl.** **08-05**
(52) **U.S. Cl.**
USPC **D8/14**
(58) **Field of Classification Search**
USPC D8/14, 21, 51, 382, 385, 387; D12/197
CPC B01D 27/08; B01D 35/30; B01D 35/31;
B01D 2201/24
See application file for complete search history.

* cited by examiner

Primary Examiner — Philip S Hyder
(74) *Attorney, Agent, or Firm* — Davis Wright Temaine
LLP

(57) **CLAIM**

The ornamental design for an oil filter extractor tool, as shown and described.

(56) **References Cited**

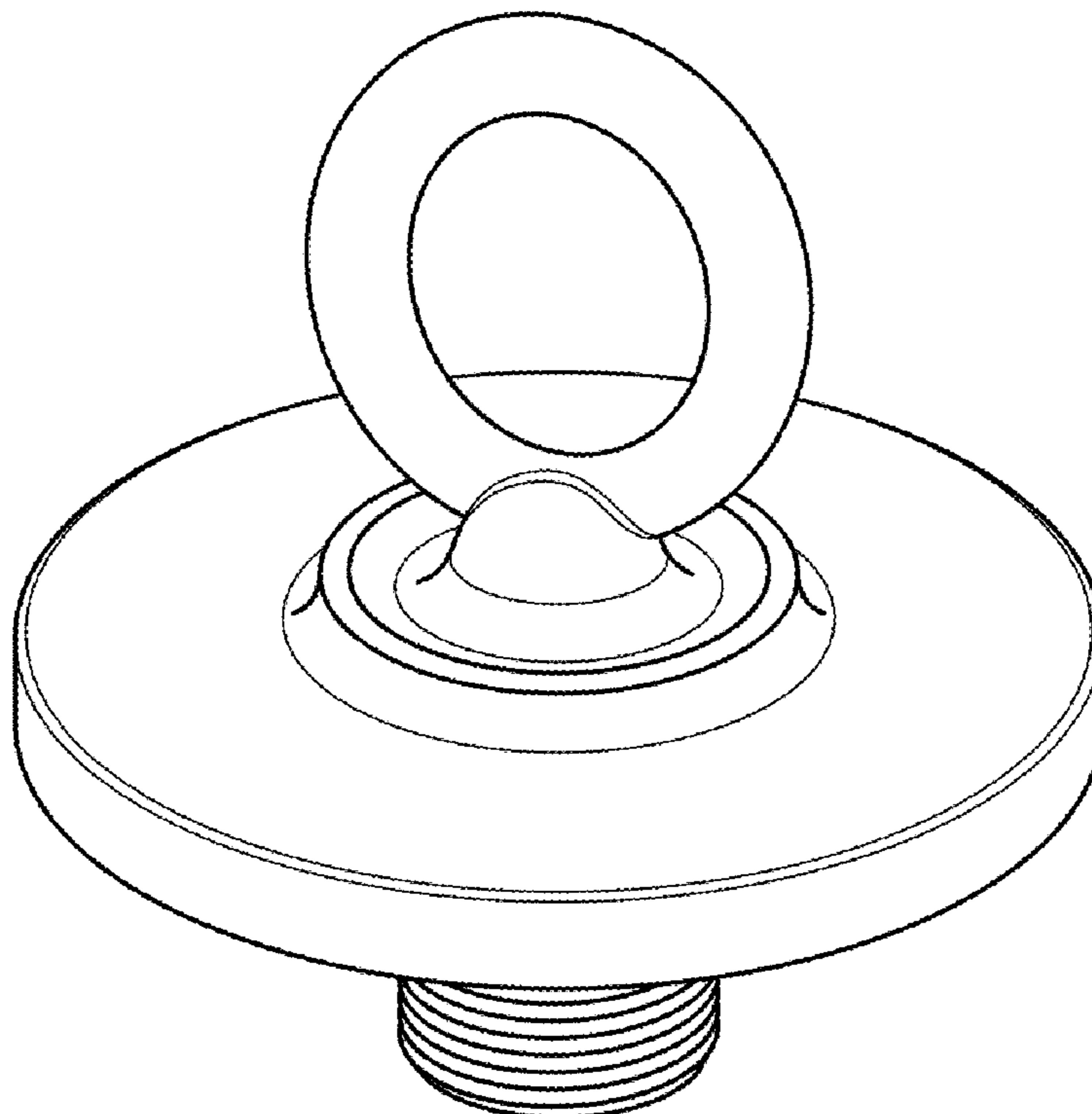
U.S. PATENT DOCUMENTS

D198,281 S * 5/1964 Mills D8/356
3,595,125 A * 7/1971 Jacobs B60P 7/0807
296/43
4,507,199 A * 3/1985 Carlisle B01D 35/14
210/238
D413,509 S * 9/1999 Robertson D8/387
D413,791 S * 9/1999 May A44B 11/06
D8/387

DESCRIPTION

FIG. 1 is a perspective view of a an oil filter extractor tool showing my new design;
FIG. 2 is a side elevation view thereof;
FIG. 3 is a front elevation view thereof;
FIG. 4 is a top plan view thereof; and,
FIG. 5 is a bottom plan view thereof.

1 Claim, 3 Drawing Sheets



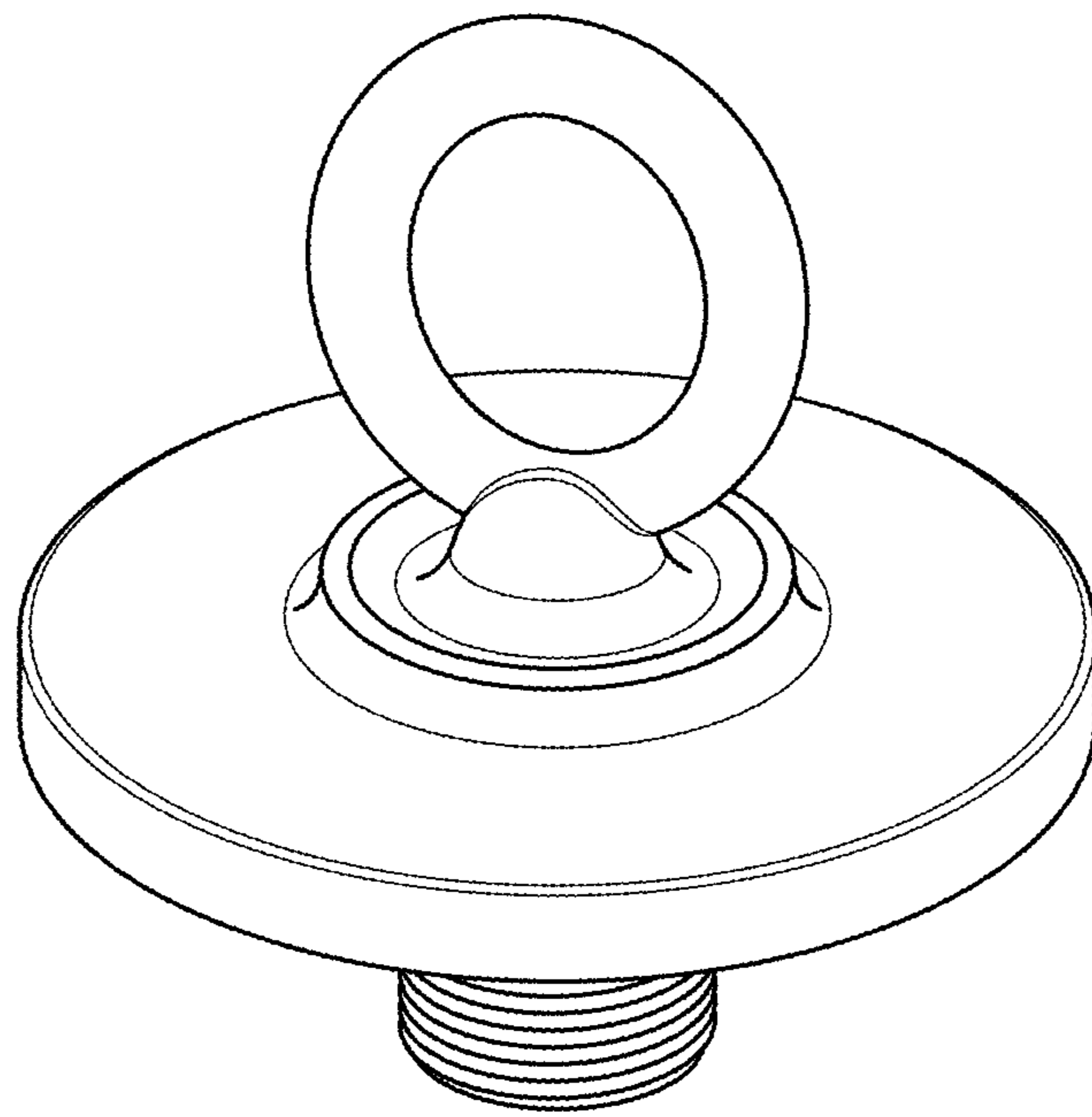


FIG. 1

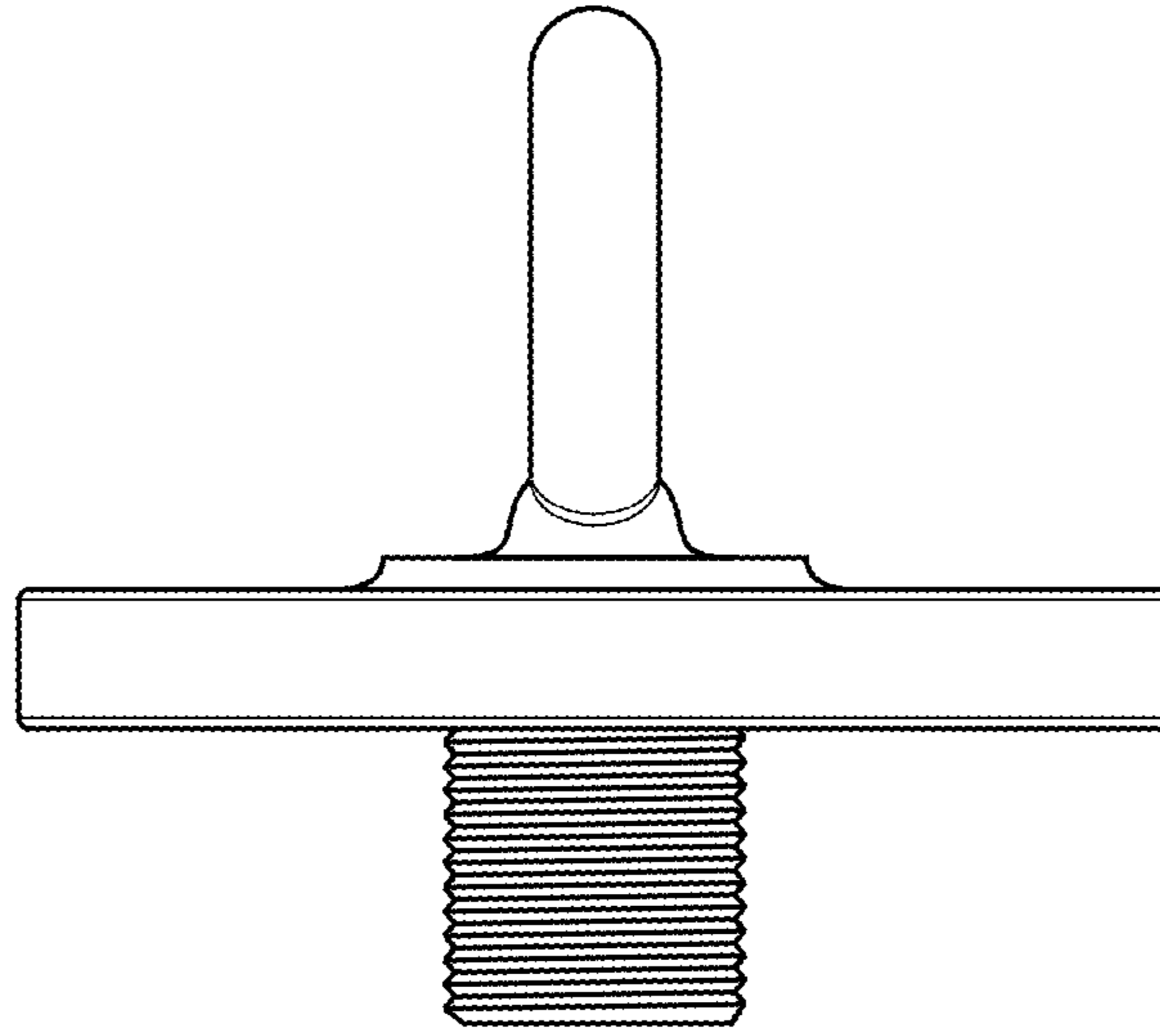


FIG. 2

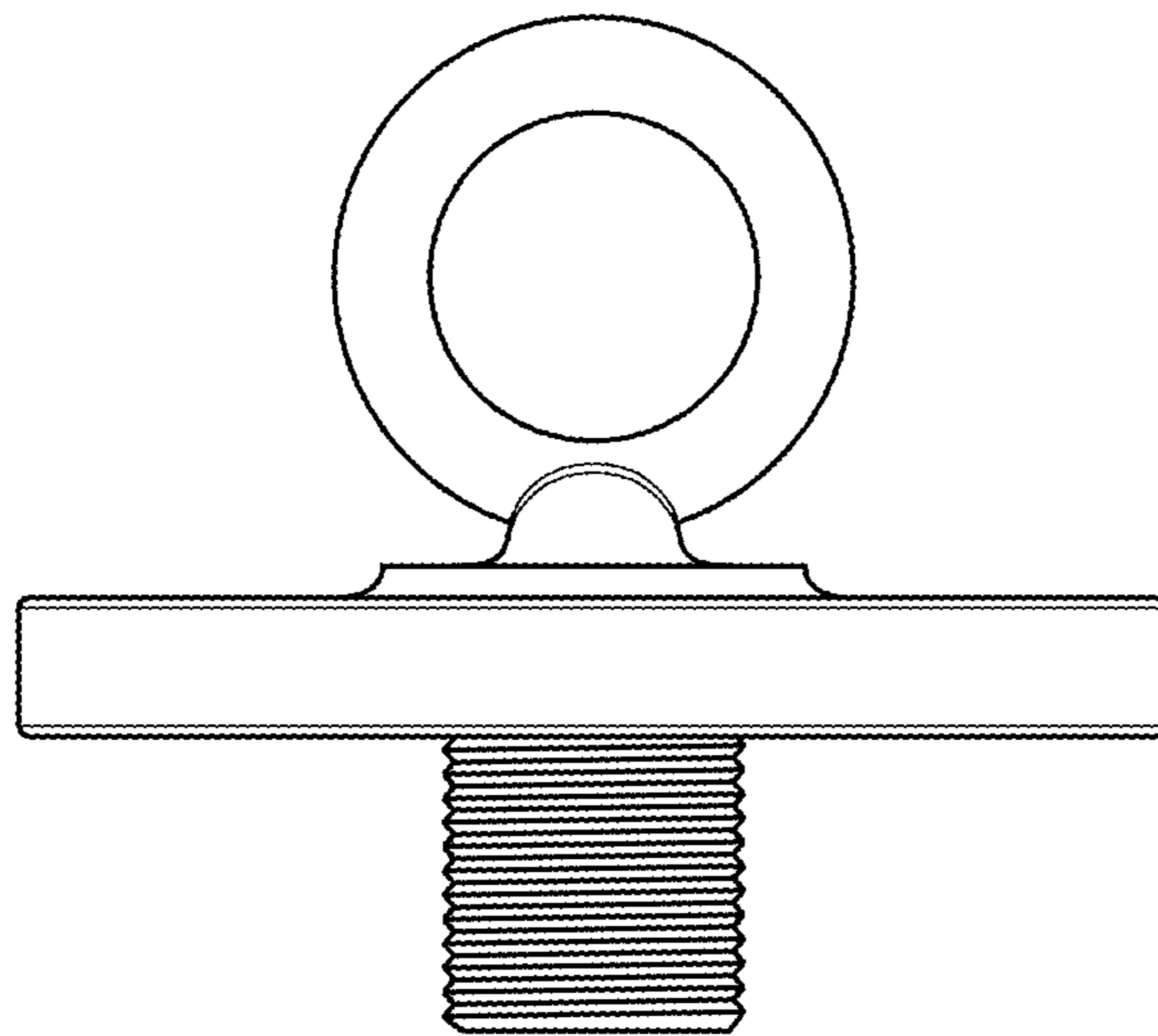


FIG. 3

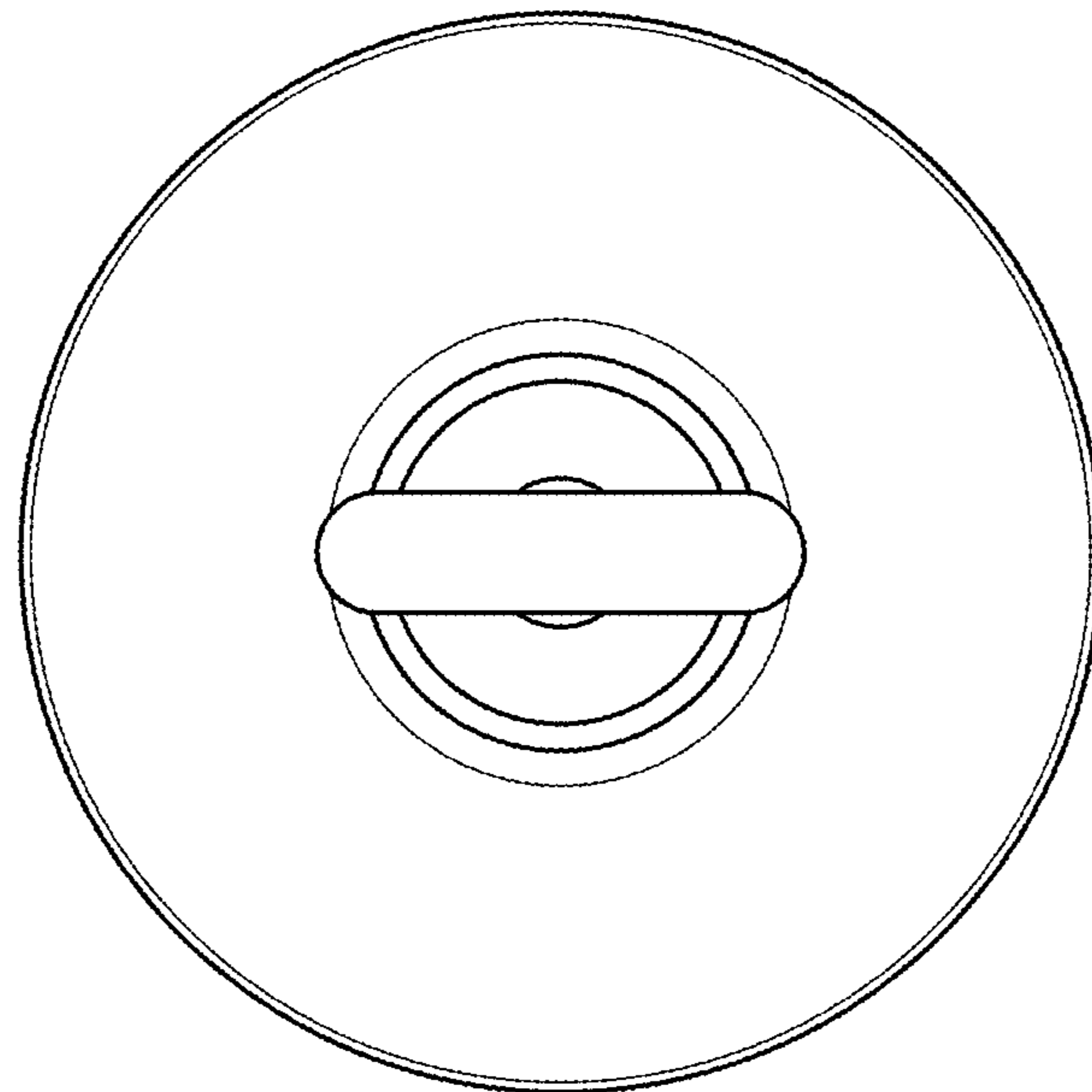


FIG. 4

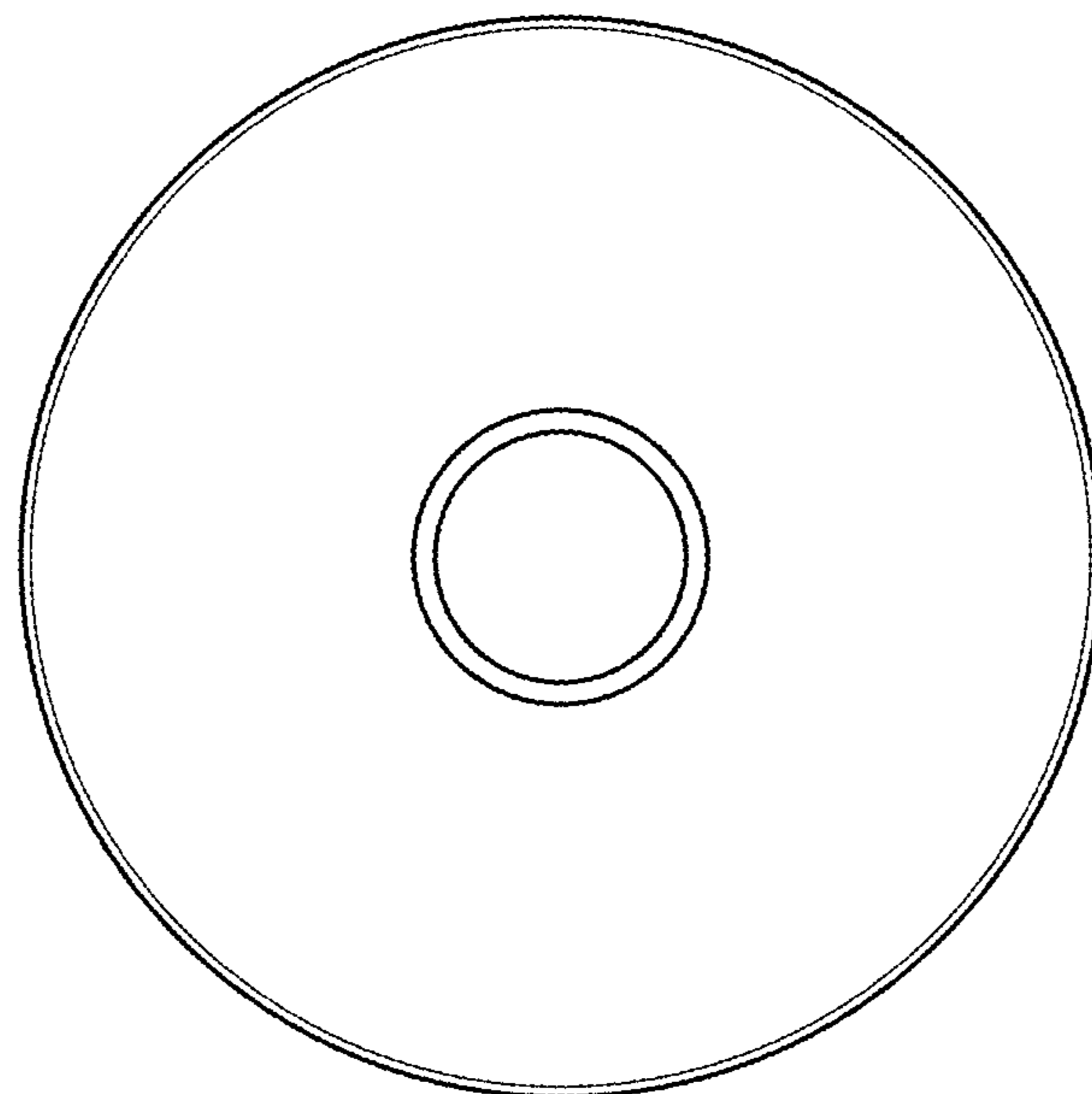


FIG. 5