



US00D814255S

(12) **United States Design Patent**
Thuma et al.

(10) **Patent No.:** **US D814,255 S**
(45) **Date of Patent:** **** Apr. 3, 2018**

- (54) **RESIN SNOW BLADE**
- (71) Applicant: **Suncast Technologies, LLC**, Palm Beach Gardens, FL (US)
- (72) Inventors: **Michael Thuma**, La Grange, IL (US); **Torrence Anderson**, Overland Park, KS (US); **Michael R. Vogler**, Oswego, IL (US)
- (73) Assignee: **Suncast Technologies, LLC**, Palm Beach Gardens, FL (US)

5,845,949 A * 12/1998 Vosbikian E01H 5/02
294/54.5
7,118,145 B1 * 10/2006 Rosine B25G 1/01
294/54.5
D546,644 S * 7/2007 Rosine D8/10
D546,645 S * 7/2007 Rosine D8/10
D708,495 S * 7/2014 Stein D8/10
D758,152 S * 6/2016 Blouin D8/10
2007/0126250 A1 * 6/2007 Rosine A01B 1/02
294/51
2014/0217759 A1 * 8/2014 Uffner E01H 5/12
294/51

* cited by examiner

(**) Term: **15 Years**

Primary Examiner — Sandra S Snapp

(21) Appl. No.: **29/564,476**

Assistant Examiner — Ieisha N Price

(22) Filed: **May 13, 2016**

(74) *Attorney, Agent, or Firm* — McHale & Slavin, P.A.

(51) **LOC (11) Cl.** **08-01**

(57) **CLAIM**

(52) **U.S. Cl.**
USPC **D8/10**

The ornamental design for a resin snow blade, as shown and described.

(58) **Field of Classification Search**
USPC D8/1, 7, 10, 107; D21/532, 398
CPC E01H 5/00; E01H 5/02; E01H 5/10; E01H 5/104; E01H 5/12; A01B 1/00; A01B 1/02; A01B 1/22; A01B 1/022; A01B 1/026; A01B 15/02; Y10T 16/4713; Y10S 16/19

DESCRIPTION

See application file for complete search history.

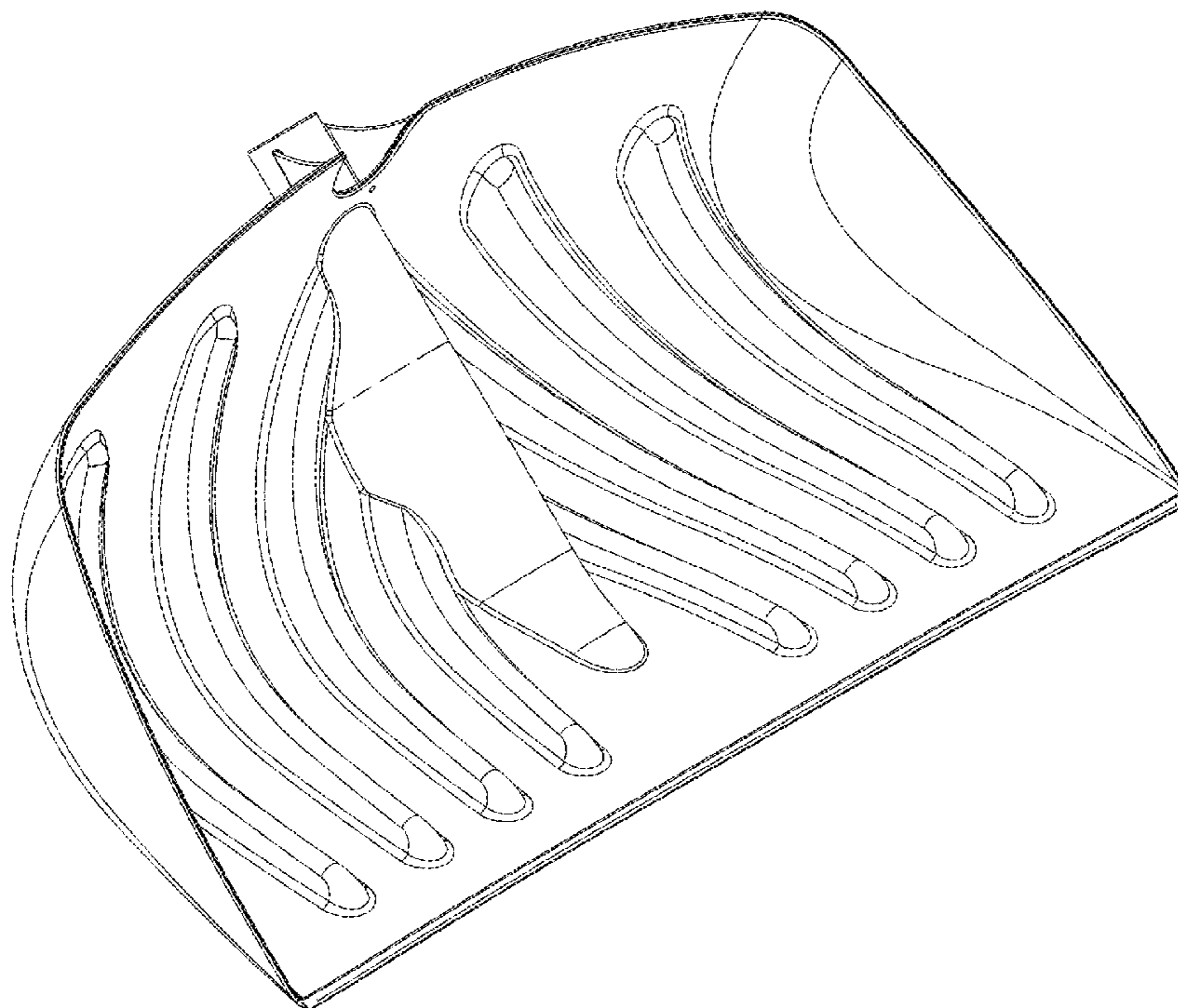
FIG. 1 is a top left isometric view of the resin snow blade of the present invention;
FIG. 2 is a left side view thereof;
FIG. 3 is a right side view thereof;
FIG. 4 is a top view thereof;
FIG. 5 is a bottom view thereof;
FIG. 6 is a front view thereof; and,
FIG. 7 is a top right isometric view thereof.
The portions of the resin snow blade illustrated in broken lines form no part of the claimed subject matter.

(56) **References Cited**

U.S. PATENT DOCUMENTS

5,419,600 A * 5/1995 Tisbo E01H 5/02
294/54.5
D385,160 S * 10/1997 Tisbo D8/10

1 Claim, 7 Drawing Sheets



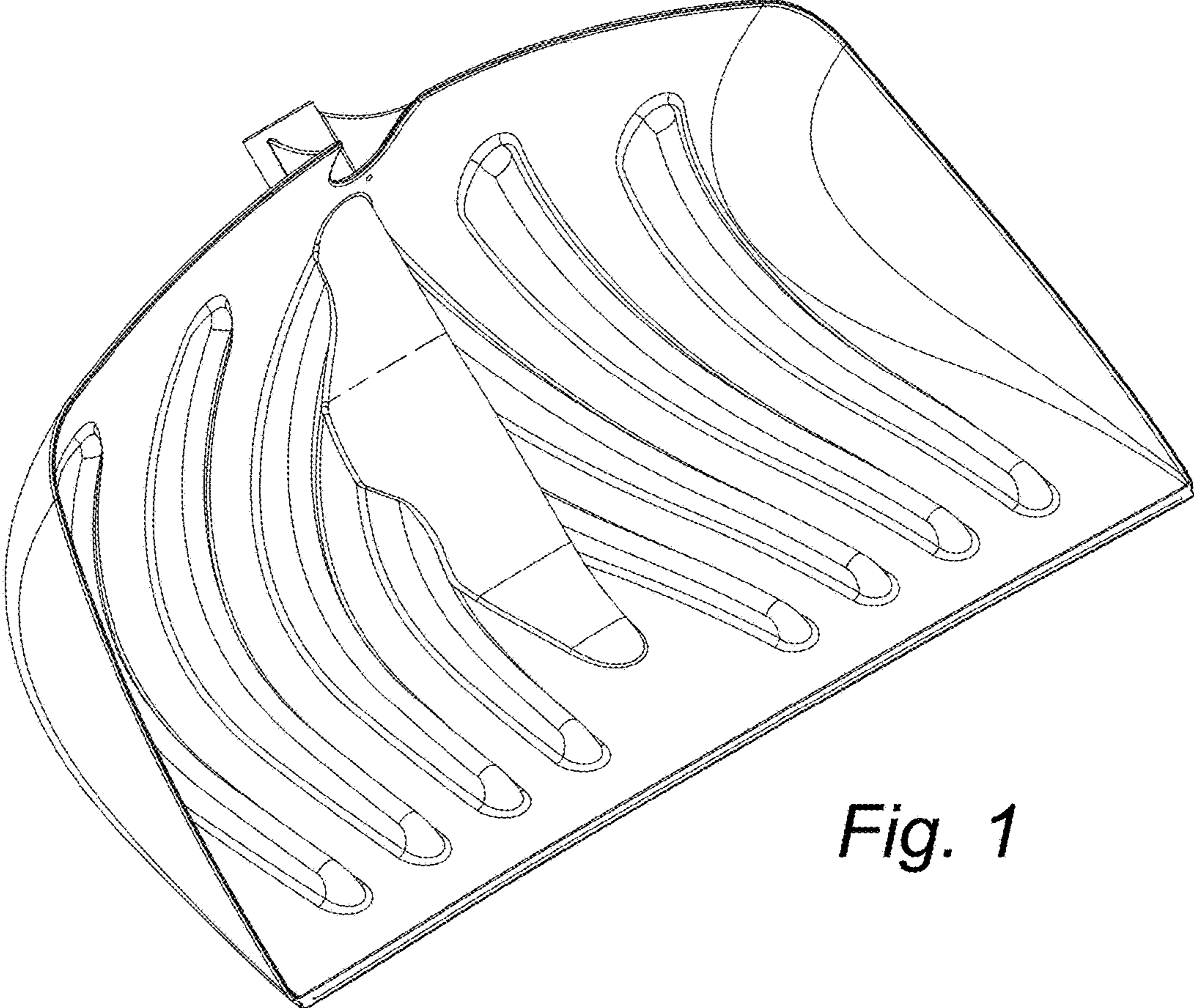


Fig. 1

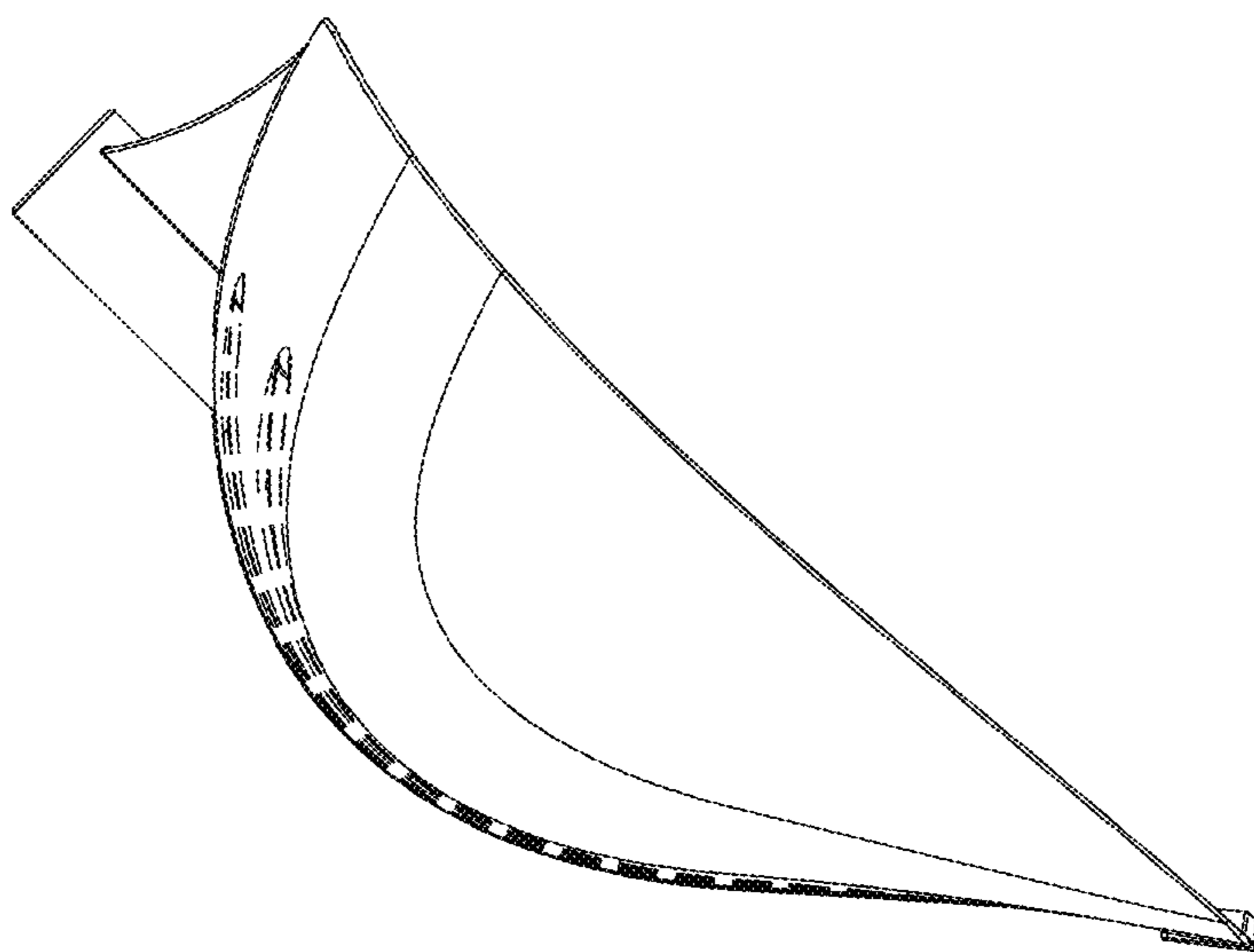


Fig. 2

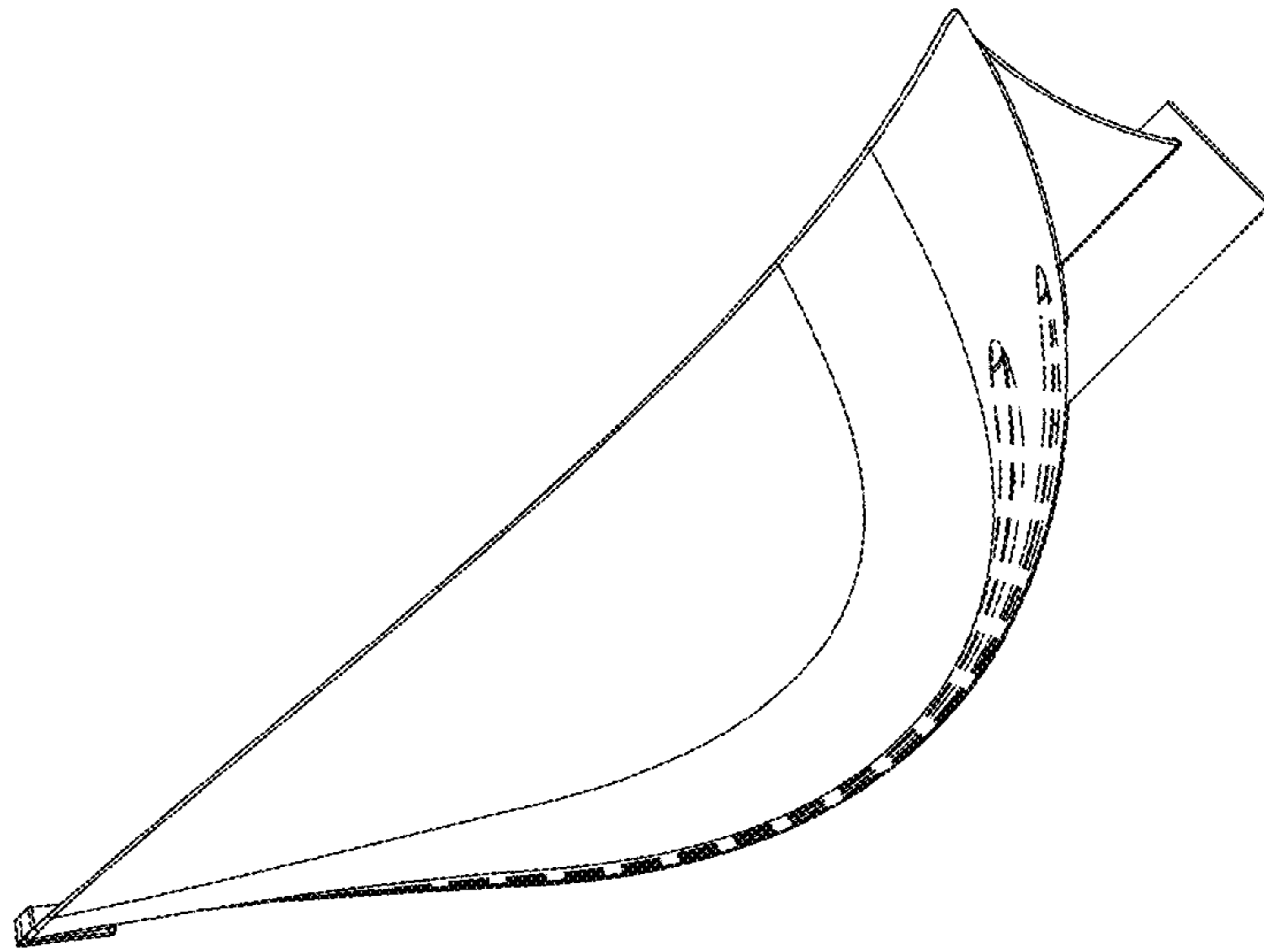


Fig. 3

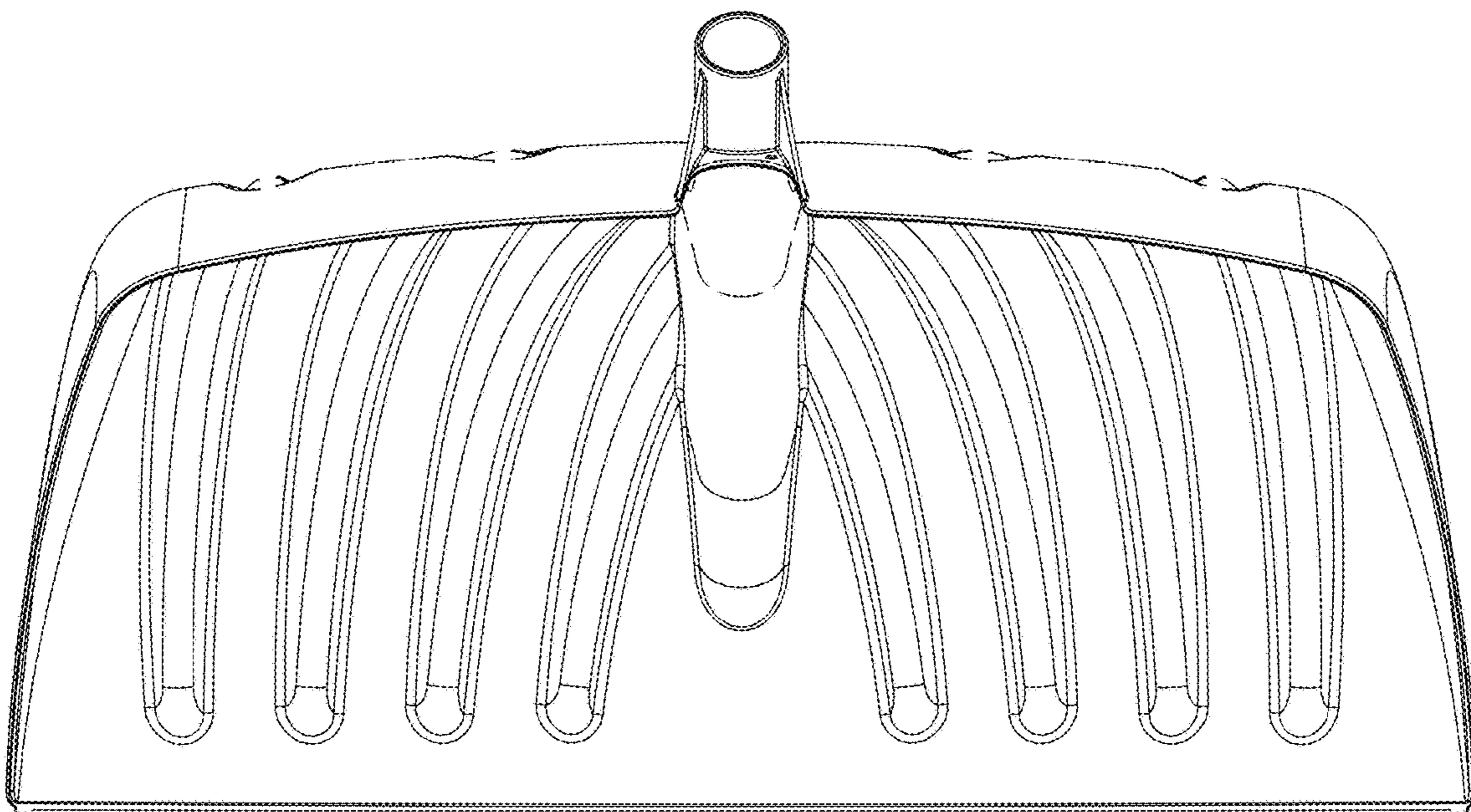


Fig. 4

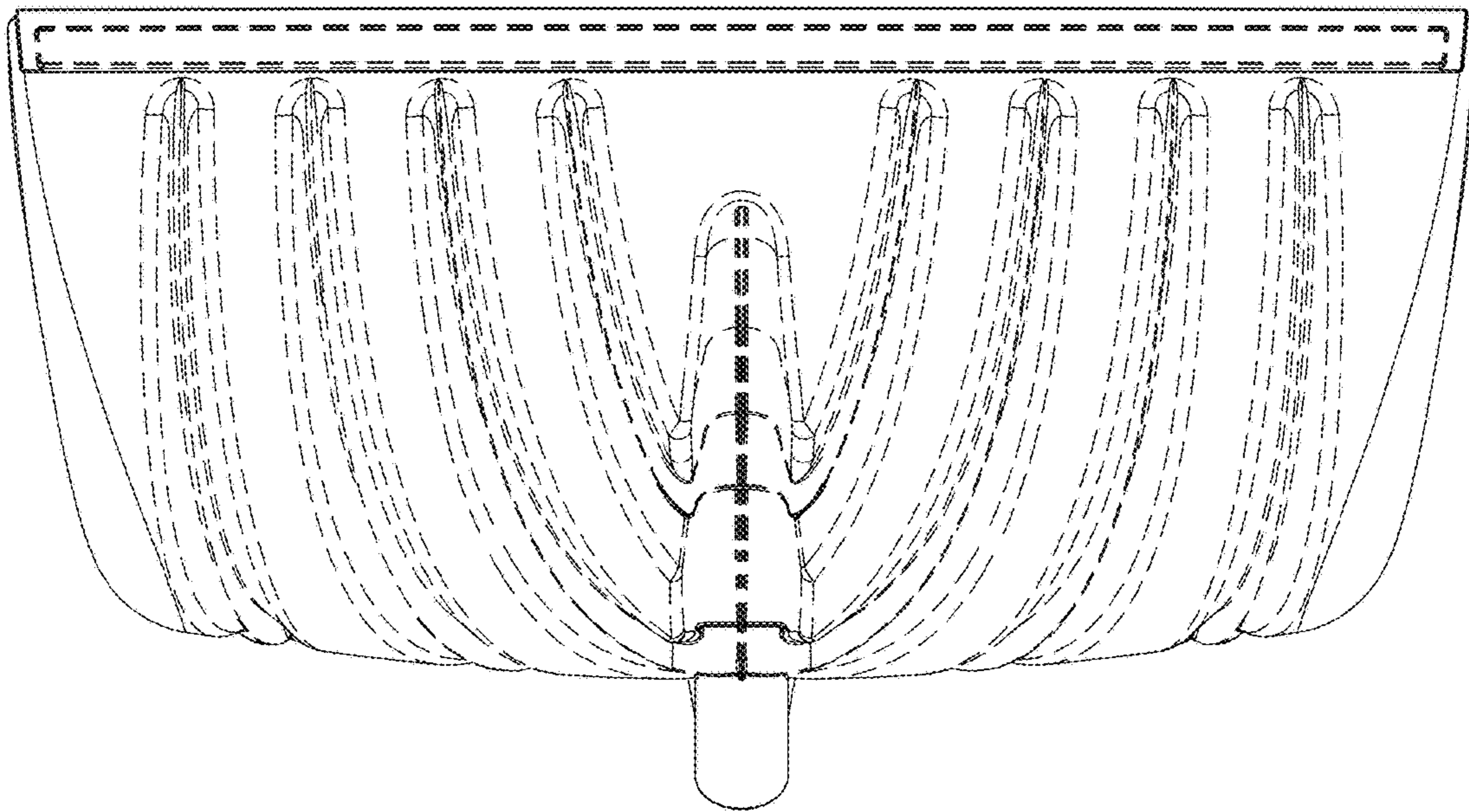


Fig. 5

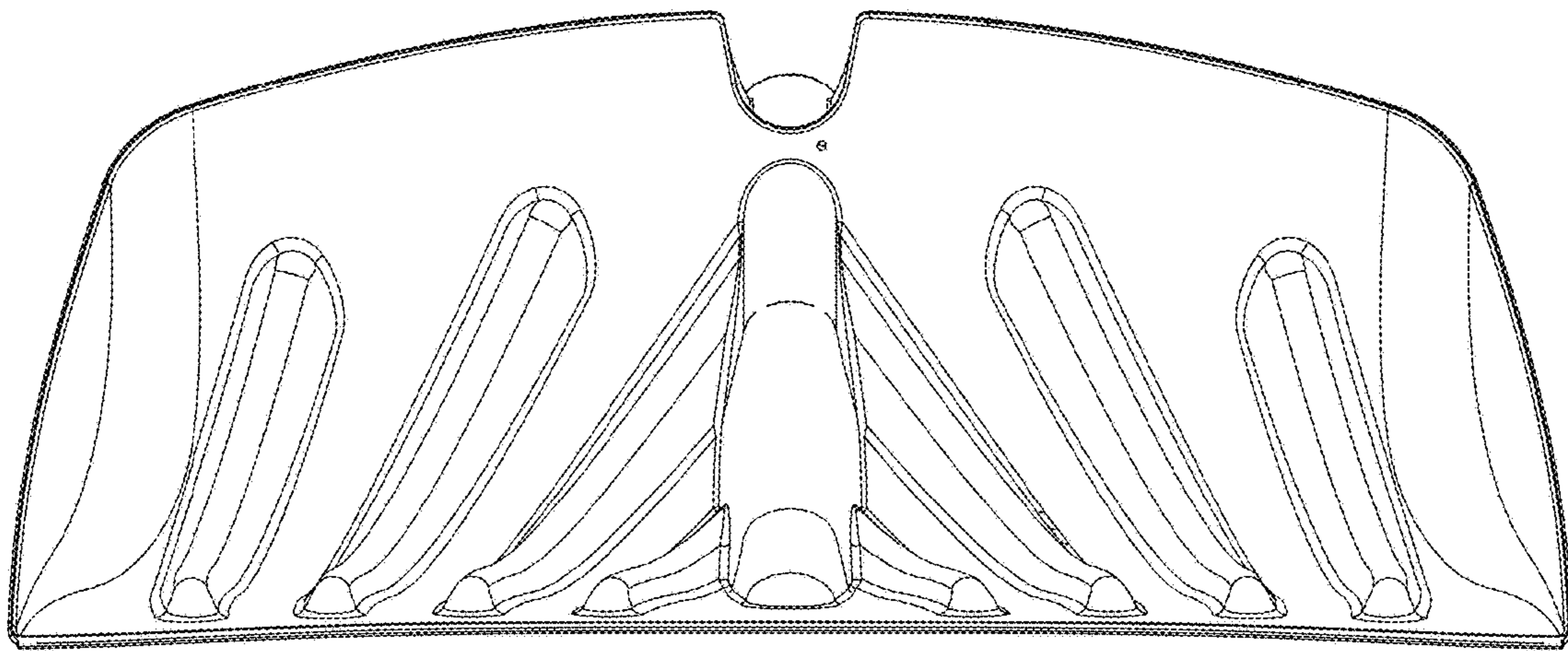


Fig. 6

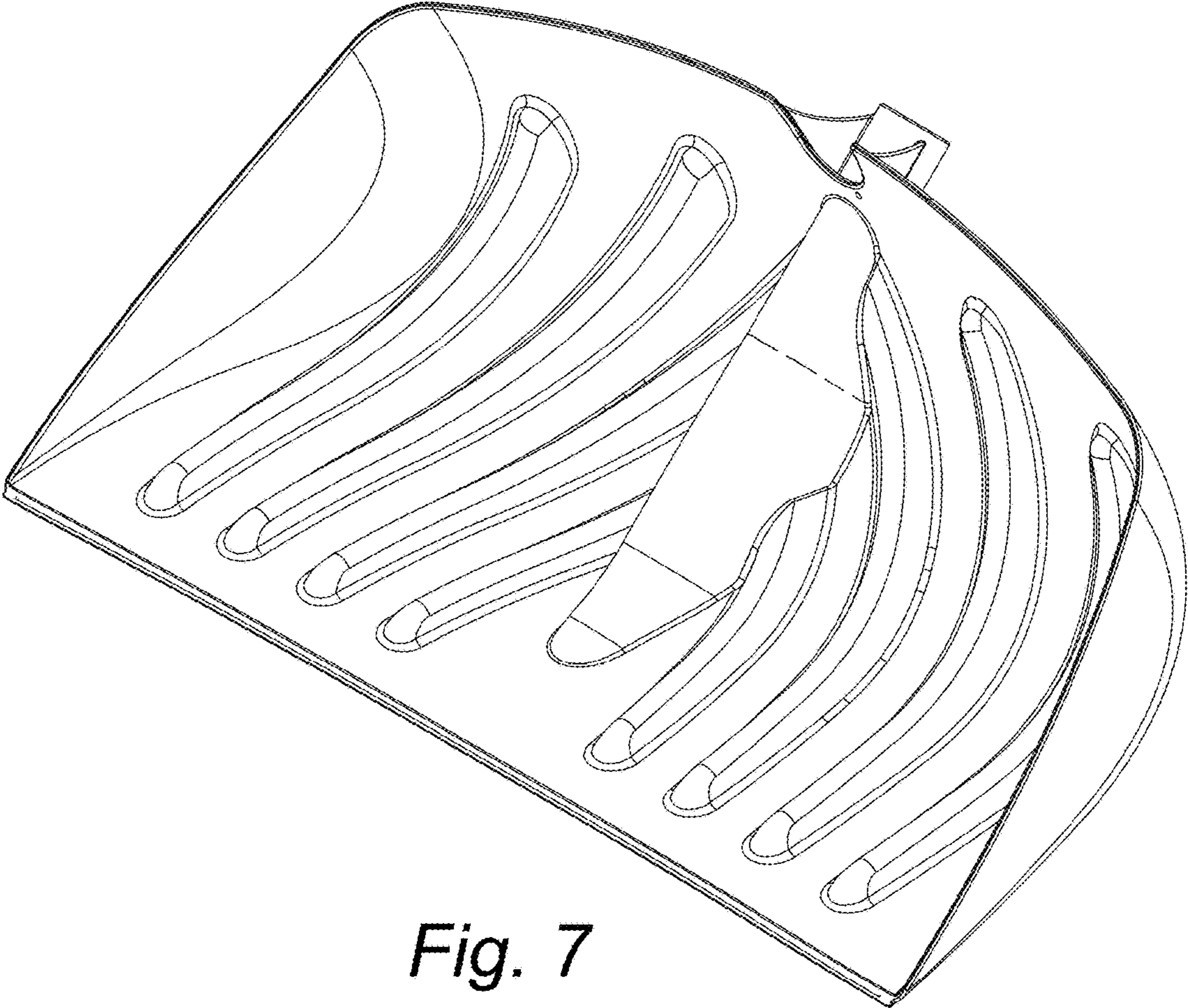


Fig. 7