



US00D814254S

(12) **United States Design Patent**
Handlos et al.

(10) **Patent No.:** **US D814,254 S**
(45) **Date of Patent:** **** Apr. 3, 2018**

- (54) **STAKE**
- (71) Applicant: **Reynolds Presto Products Inc.**, Lake Forest, IL (US)
- (72) Inventors: **William G. Handlos**, Manitowoc, WI (US); **Matthew M. Kuester**, Appleton, WI (US)
- (73) Assignee: **Reynolds Presto Products Inc.**, Lake Forest, IL (US)

D469,566 S * 1/2003 Gary F21V 21/0824
D26/138
D553,919 S * 10/2007 Gross D8/1
D577,966 S * 10/2008 Cosimo D8/1
7,472,874 B2 * 1/2009 Gross E04H 12/2215
135/118
D702,515 S * 4/2014 Garber D8/1
D710,661 S * 8/2014 Lu D8/1
D798,678 S * 10/2017 Walsh D8/1
D799,106 S * 10/2017 Adams, IV D26/138
2007/0235602 A1 * 10/2007 Gross E04H 12/2215
248/156

(**) Term: **15 Years**

(21) Appl. No.: **29/580,866**

(22) Filed: **Oct. 13, 2016**

(51) **LOC (11) Cl.** **08-01**

(52) **U.S. Cl.**
USPC **D8/1**

(58) **Field of Classification Search**
USPC D8/1, 388; D21/840
CPC A01G 9/122; A01G 9/128; E04H 12/2215;
E04H 15/62
See application file for complete search history.

(56) **References Cited**

U.S. PATENT DOCUMENTS

D349,434 S * 8/1994 Archambeau D8/1
D377,076 S * 12/1996 Adams D21/840

* cited by examiner

Primary Examiner — Sheryl Lane

(74) *Attorney, Agent, or Firm* — Daniel H. Shulman

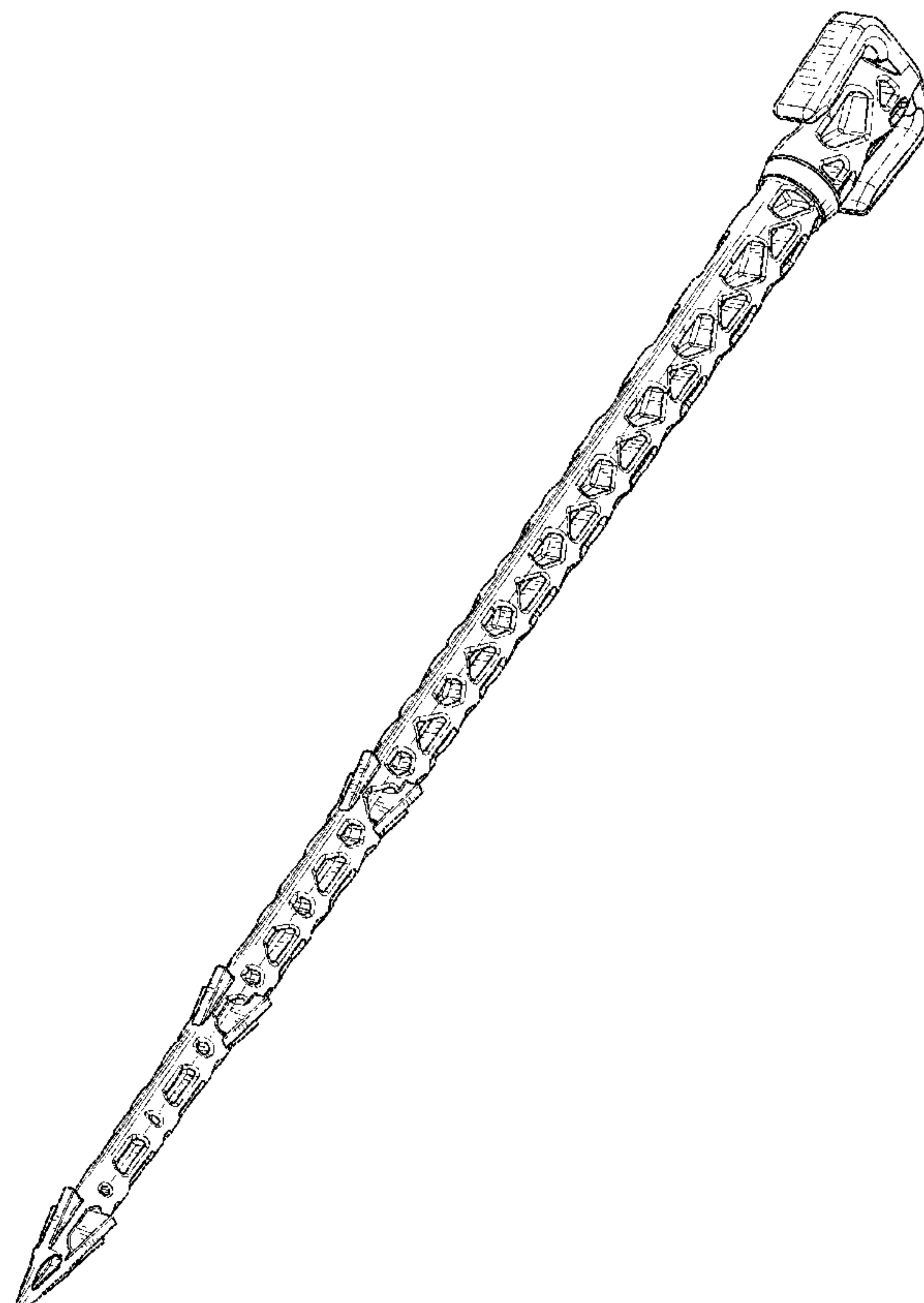
(57) **CLAIM**

The ornamental design for a stake, as shown and described.

DESCRIPTION

FIG. 1 is a perspective view of a stake.
FIG. 2 is a front elevational view of the stake of FIG. 1. The rear elevational view is identical to the front elevational view of FIG. 2.
FIG. 3 is a side elevational view of the stake of FIG. 1. The opposite side is identical to the side elevational view of the stake of FIG. 3.
FIG. 4 is a top view of the stake of FIG. 1; and,
FIG. 5 is a bottom view of the stake of FIG. 1.

1 Claim, 2 Drawing Sheets



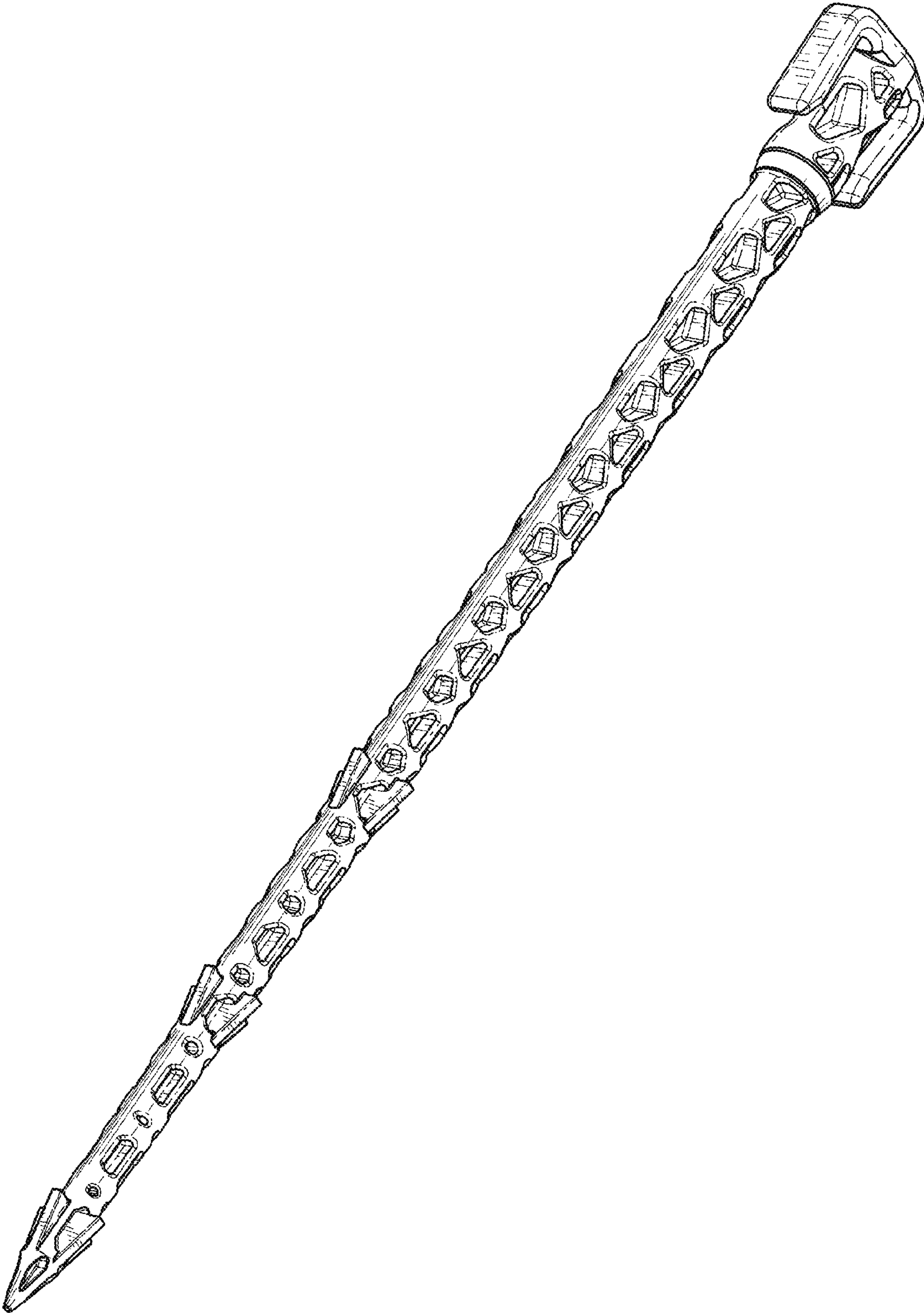


FIG. 1

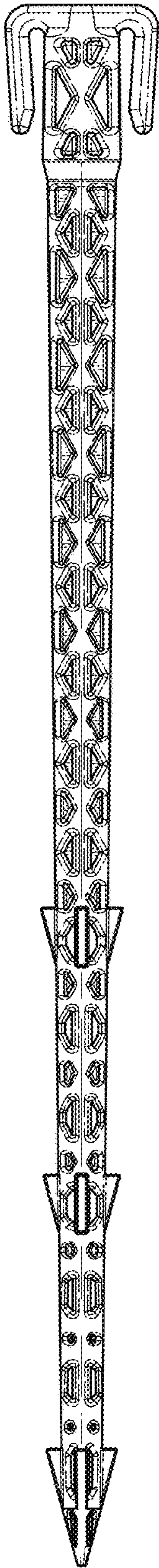


FIG. 2

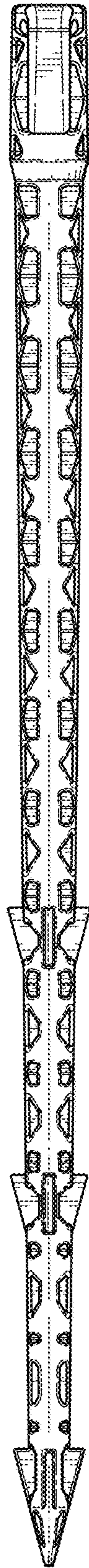


FIG. 3

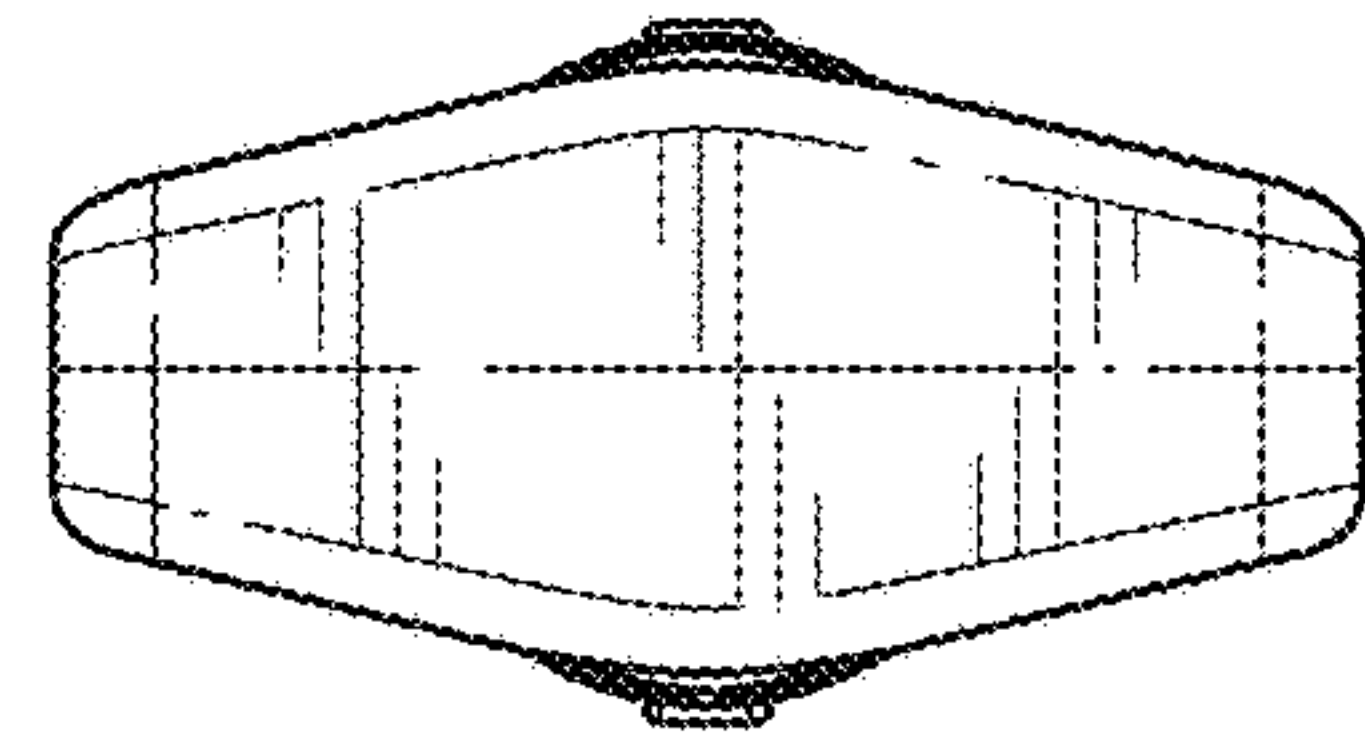


FIG. 4

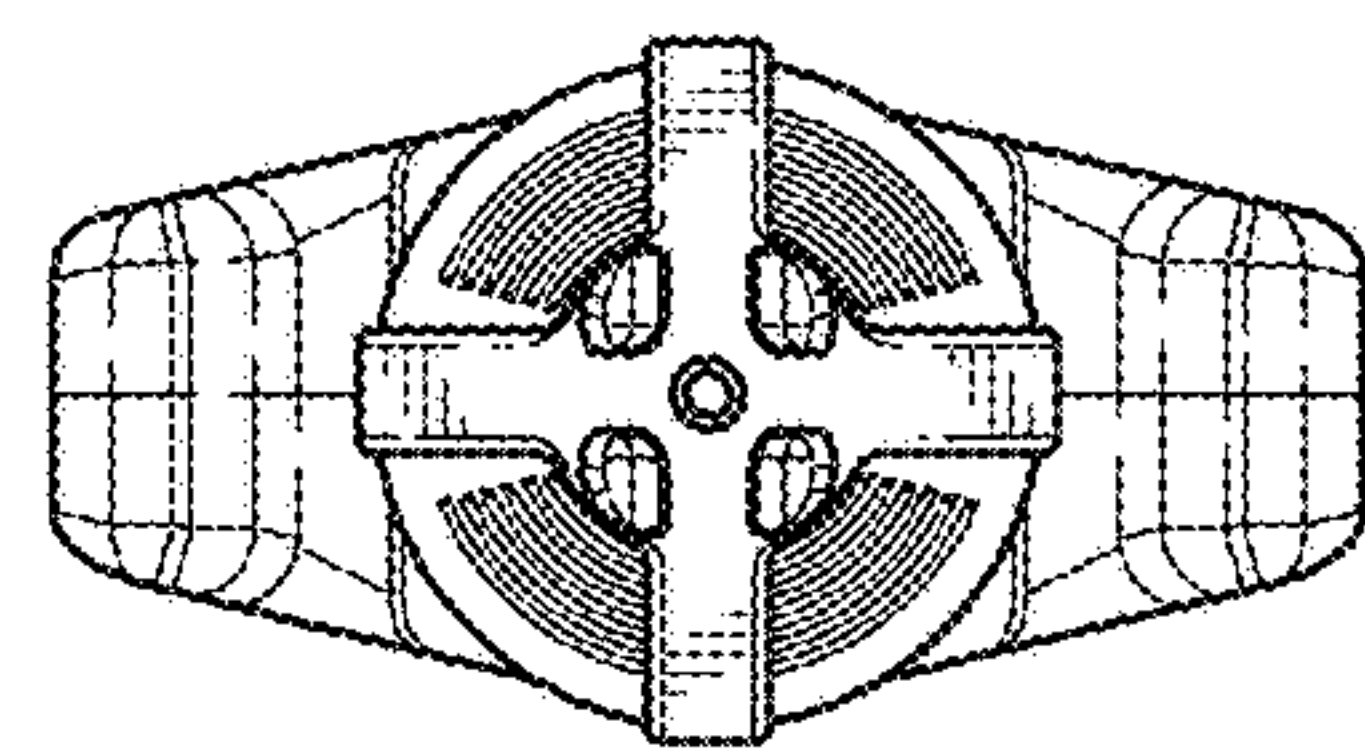


FIG. 5