



US00D814251S

(12) **United States Design Patent**
Müller et al.

(10) **Patent No.:** **US D814,251 S**
(45) **Date of Patent:** **** Apr. 3, 2018**

- (54) **GRINDER FOR FOODS**
- (71) Applicant: **DE'LONGHI BRAUN HOUSEHOLD GMBH**, Neu-Isenburg (DE)
- (72) Inventors: **Dennis Müller**, Frankfurt am Main (DE); **Markus Orthey**, Eltville am Rhein (DE); **Britta Stockinger**, Frankfurt am Main (DE); **Sven Wuttig**, Griesheim (DE); **Duy P. Vu**, Schwalbach am Taunus (DE)
- (73) Assignee: **De'Longhi Braun Household GmbH**, Neu-Isenbury (DE)
- (**) Term: **15 Years**
- (21) Appl. No.: **29/578,296**
- (22) Filed: **Sep. 20, 2016**
- (51) **LOC (11) Cl.** **07-04**
- (52) **U.S. Cl.**
USPC **D7/679**
- (58) **Field of Classification Search**
USPC ... D7/300.1, 372-374, 381, 383, 384, 401.1, D7/590-600, 679; D9/500, 503, 504, D9/516, 549, 556, 559, 574, 575; D27/102, 110, 126, 127, 129, 172, 175, D27/184, 186, 194, 195
CPC .. A47J 42/00; A47J 42/04; A47J 42/14; A47J 42/18; A47J 42/24; A47J 42/34; A47J 42/42; A47J 42/46; A47J 43/06; A47J 43/25; A47J 43/255; A24C 5/40
See application file for complete search history.

- 3,991,947 A * 11/1976 Schlessel A47J 42/04 241/169.1
- D362,595 S * 9/1995 Schneider D7/596
- D399,387 S * 10/1998 Lillelund D7/401.1
- D463,982 S * 10/2002 Speelman D9/500
- D478,819 S * 8/2003 Pfaeffli D7/607
- D508,374 S * 8/2005 Martin D7/590

(Continued)

OTHER PUBLICATIONS

Appliancist. Braun Multiquick 7 hand blender. Oct. 28, 2014 [earliest online date], [site visited Sep. 21, 2017]. Available from Internet, <URL:http://appliancist.com/countertop_appliances/food_processors_blenders/multiquick-7-hand-blender-mq-745-aperitif.html#more>. (Year: 2014).*

Primary Examiner — Robert M. Spear
Assistant Examiner — Darcey E Heflin
(74) *Attorney, Agent, or Firm* — Baker & Hostetler LLP

(57) **CLAIM**

The ornamental design for a grinder for foods, as shown and described.

DESCRIPTION

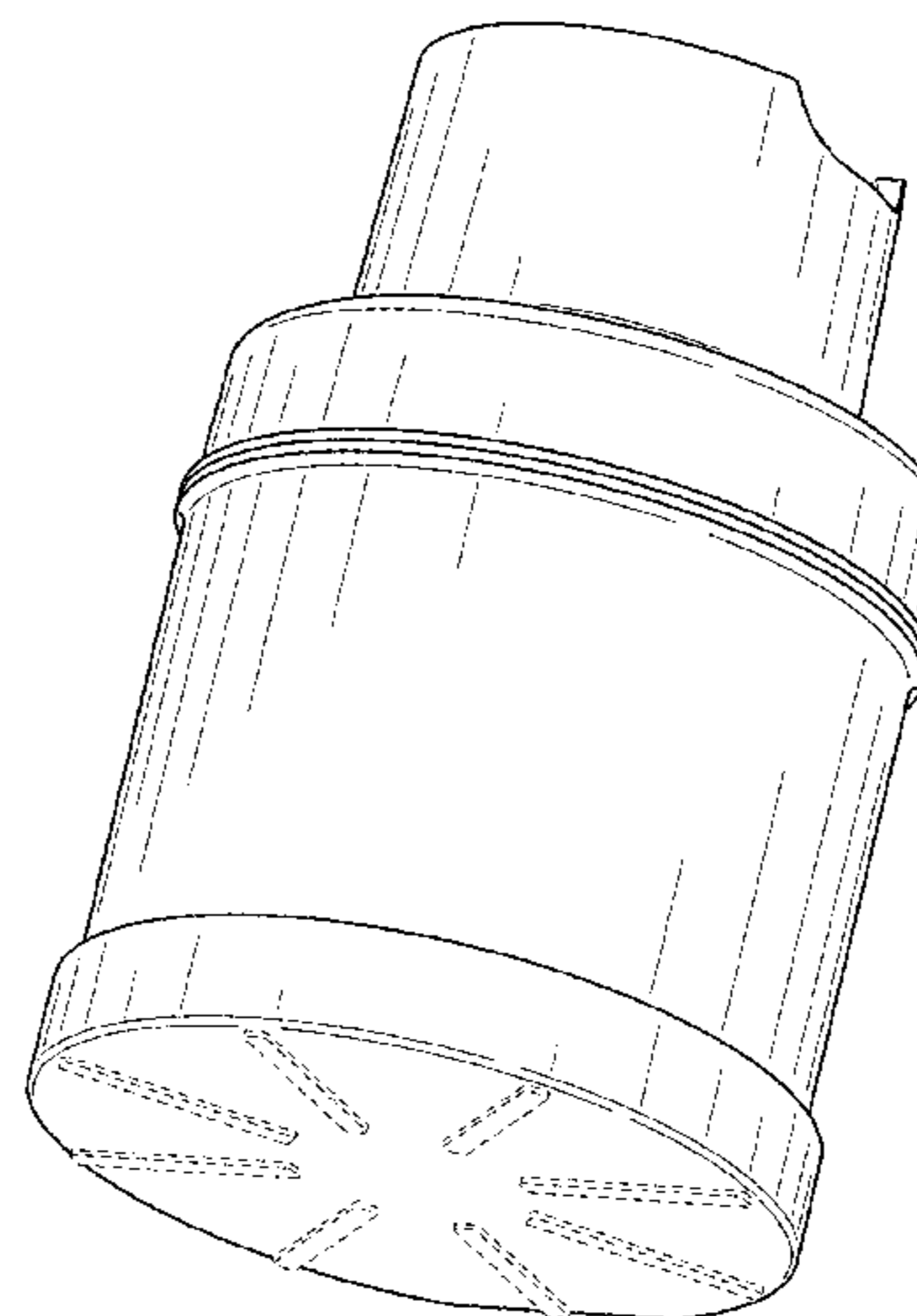
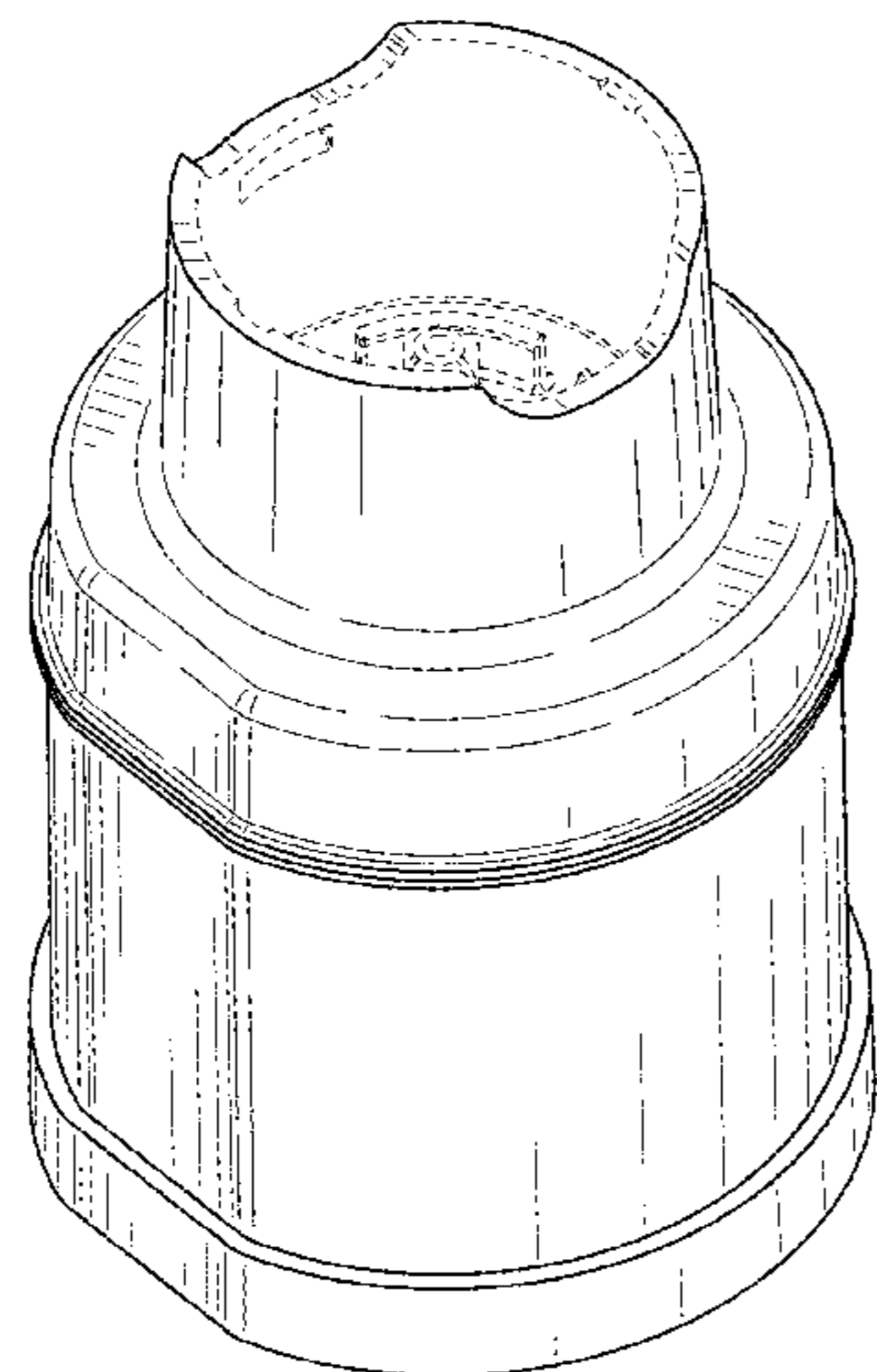
FIG. 1 is a top, front, and right side perspective view of a grinder for foods;
FIG. 2 is a front view of the grinder for foods of FIG. 1;
FIG. 3 is a rear view of the grinder for foods of FIG. 1;
FIG. 4 is a right side view of the grinder for foods of FIG. 1;
FIG. 5 is a left side view of the grinder for foods of FIG. 1;
FIG. 6 is a top view of the grinder for foods of FIG. 1;
FIG. 7 is a bottom view of the grinder for foods of FIG. 1; and,
FIG. 8 is a bottom, rear, and left side perspective view of the grinder for foods of FIG. 1.
In the drawings, the broken lines showing portions of the grinder for foods depict environment and form no part of the claim.

1 Claim, 5 Drawing Sheets

(56) **References Cited**

U.S. PATENT DOCUMENTS

- D148,179 S * 12/1947 Meshberg 222/566
- 2,715,480 A * 8/1955 Livingstone B65D 47/063 215/DIG. 1
- D207,863 S * 6/1967 Knodt D7/316



(56)

References Cited

U.S. PATENT DOCUMENTS

D629,642 S * 12/2010 Miller D7/372
8,382,017 B2 * 2/2013 Bich A47J 42/02
241/169.1
D760,542 S * 7/2016 Vu D7/510
D794,382 S * 8/2017 Vu D7/376

* cited by examiner

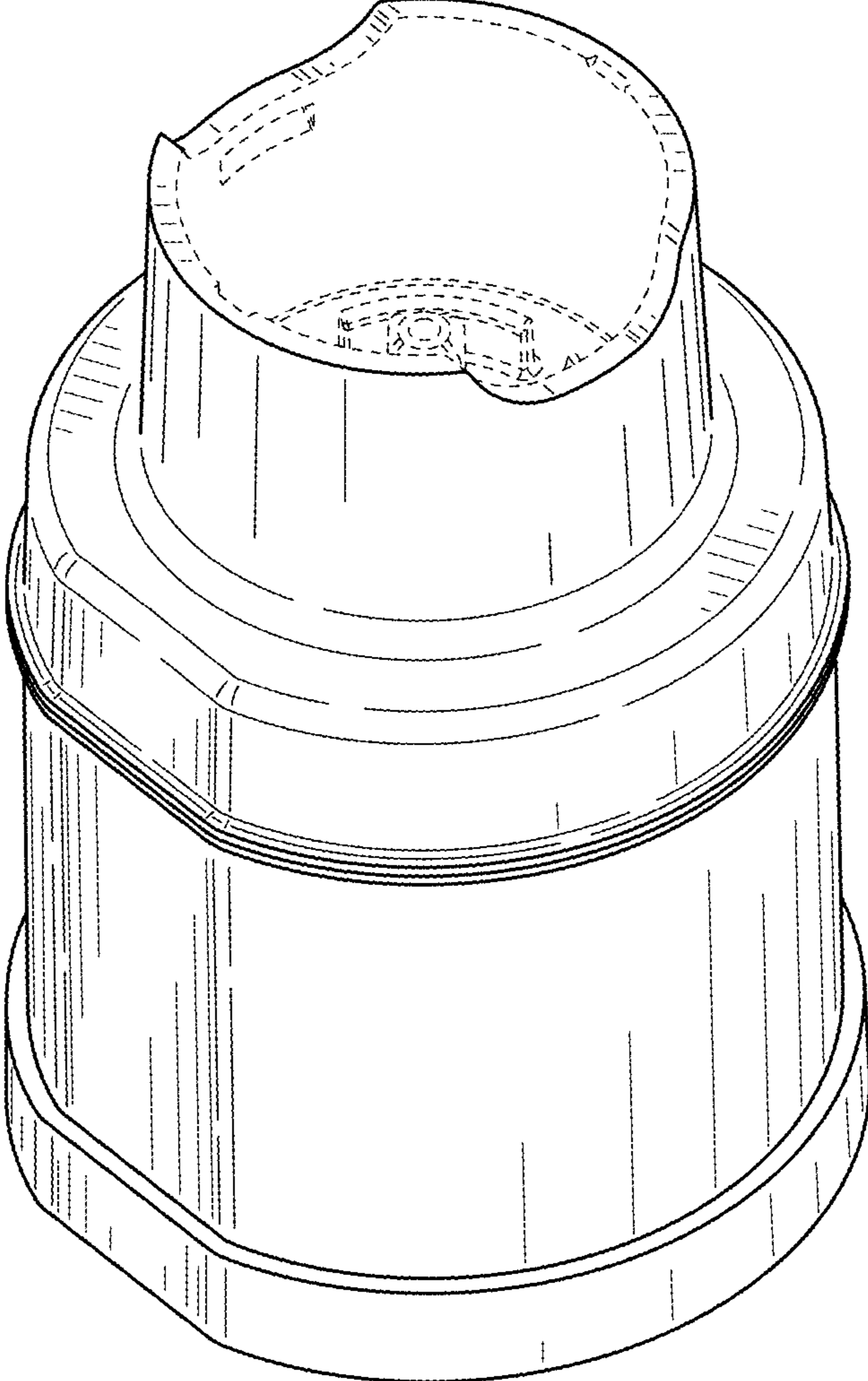


FIG. 1

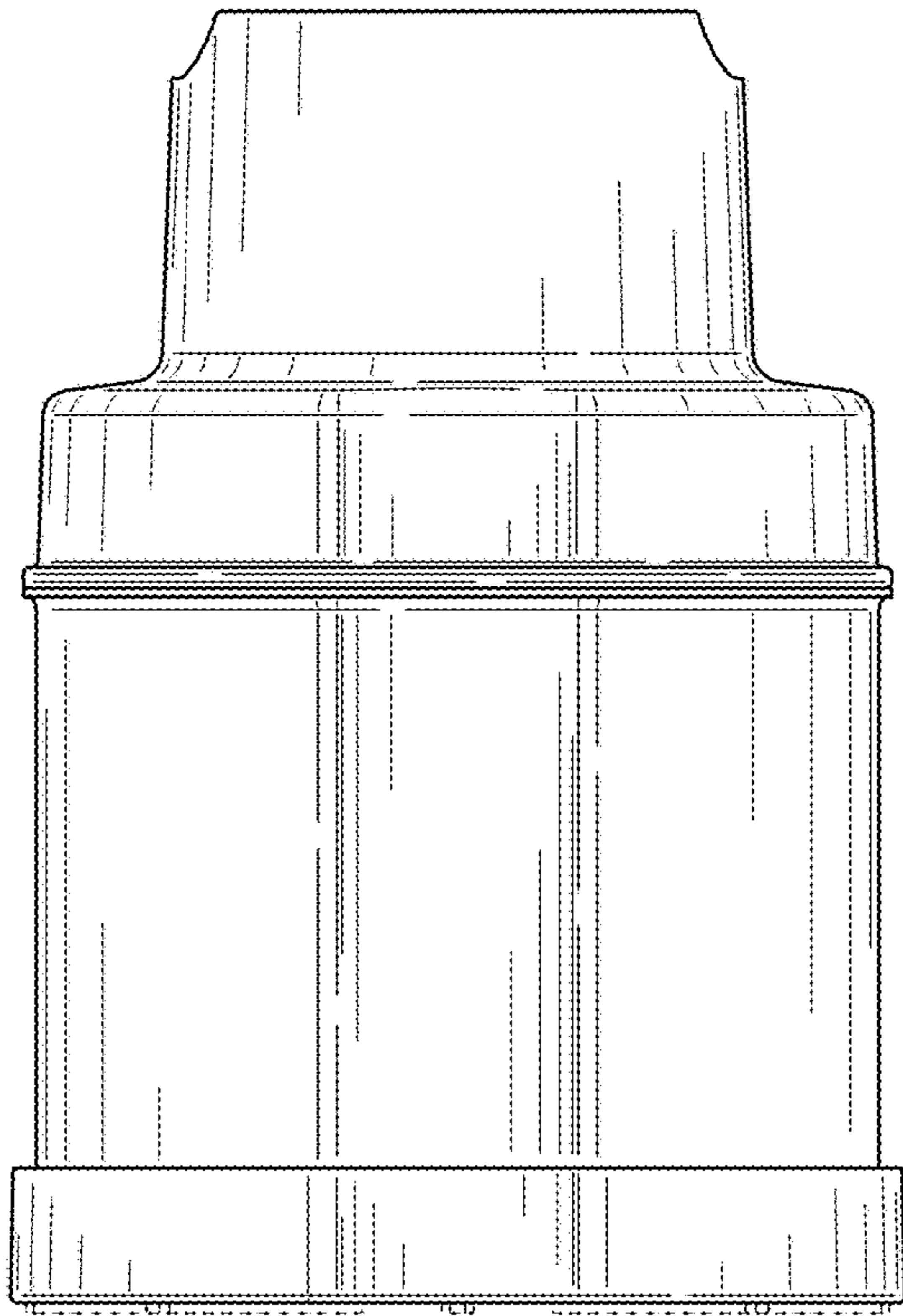


FIG. 2

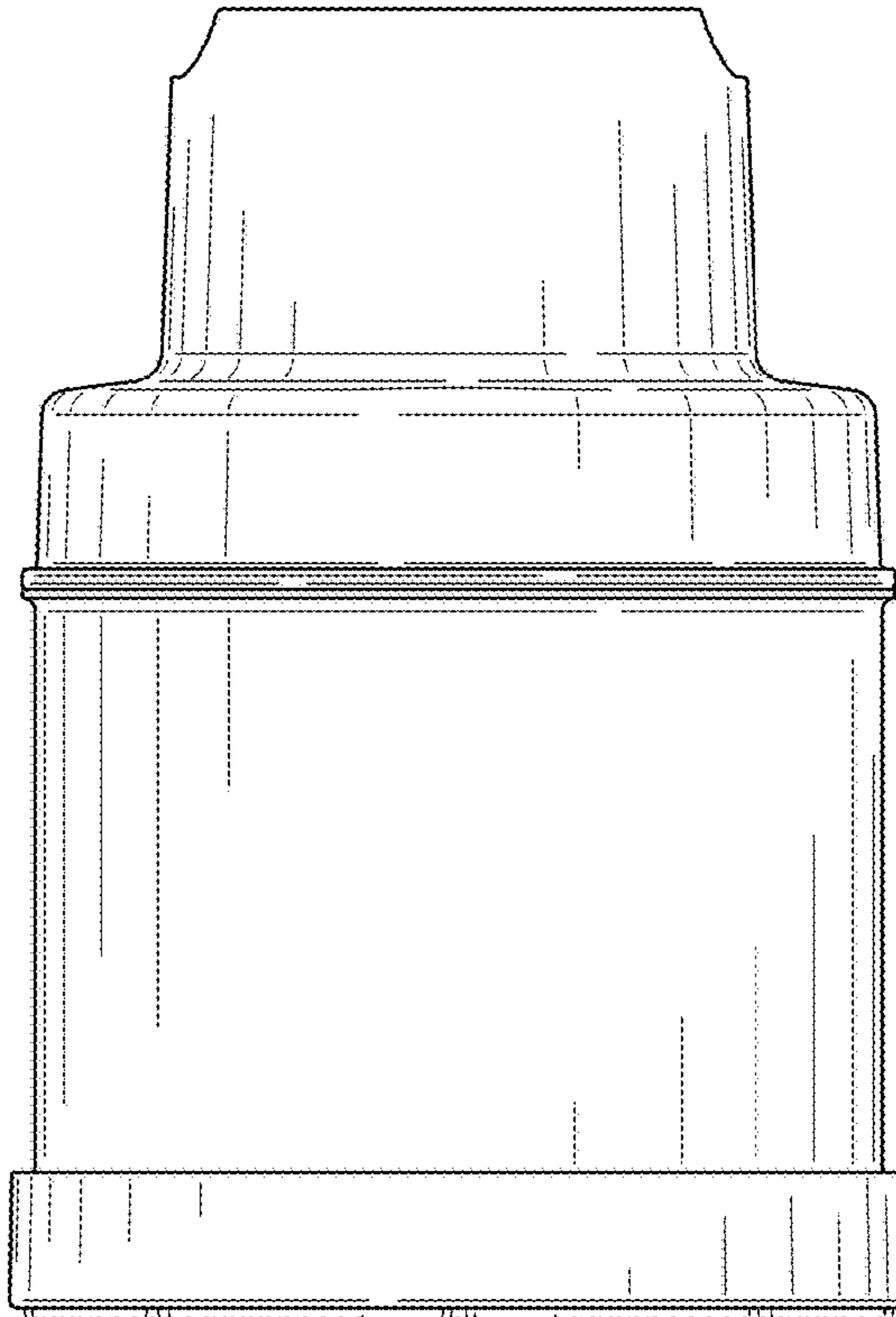


FIG. 3

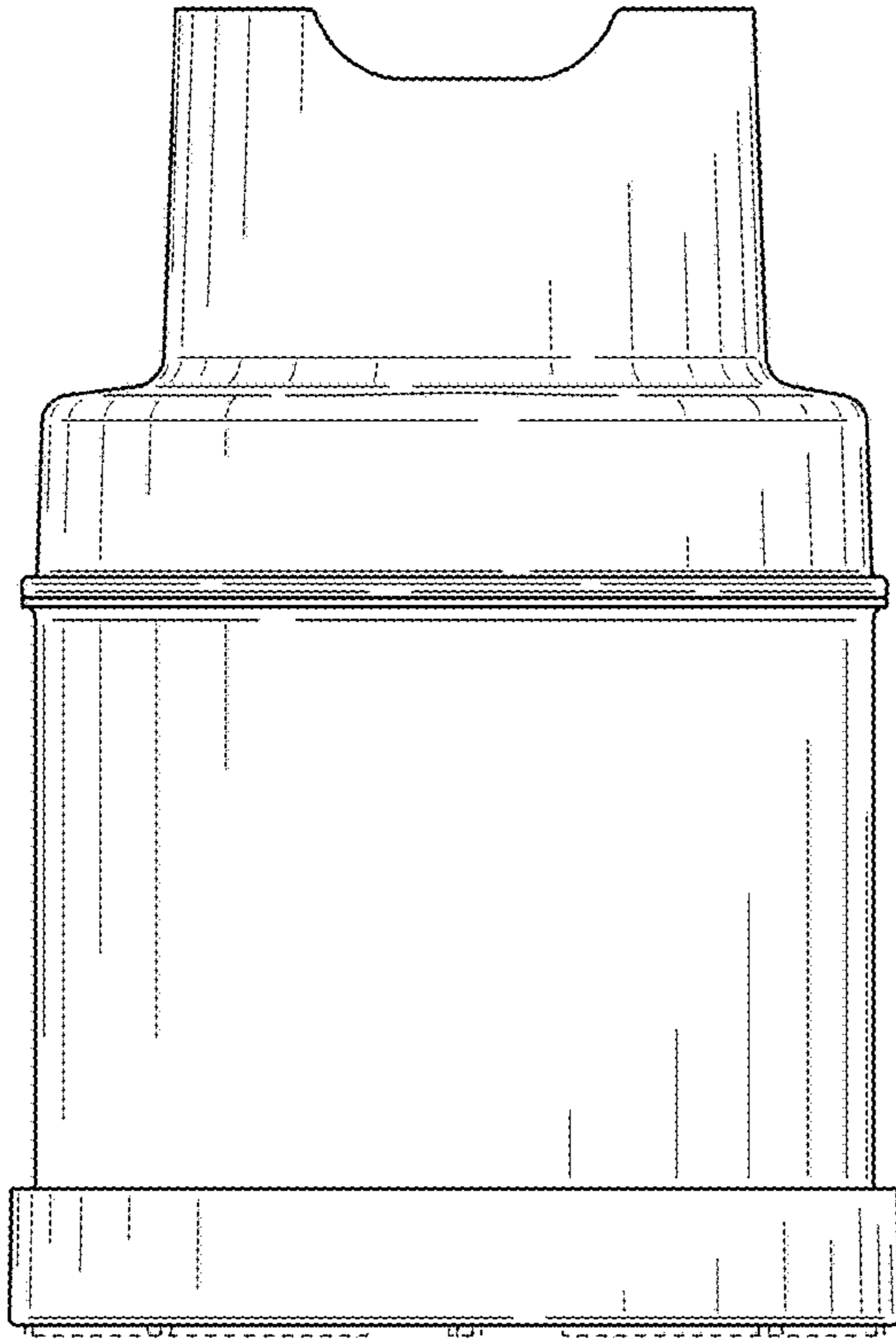


FIG. 4

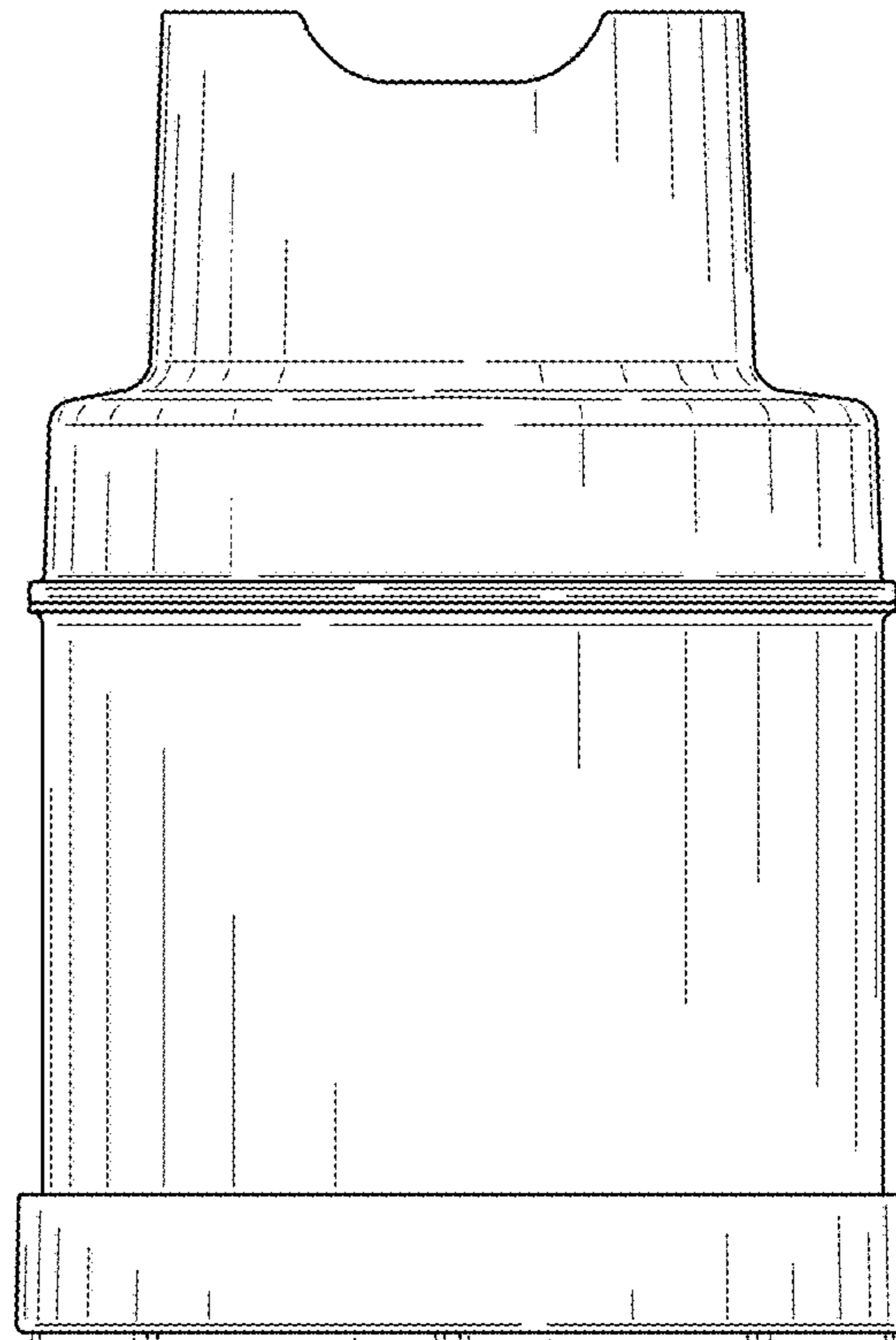


FIG. 5

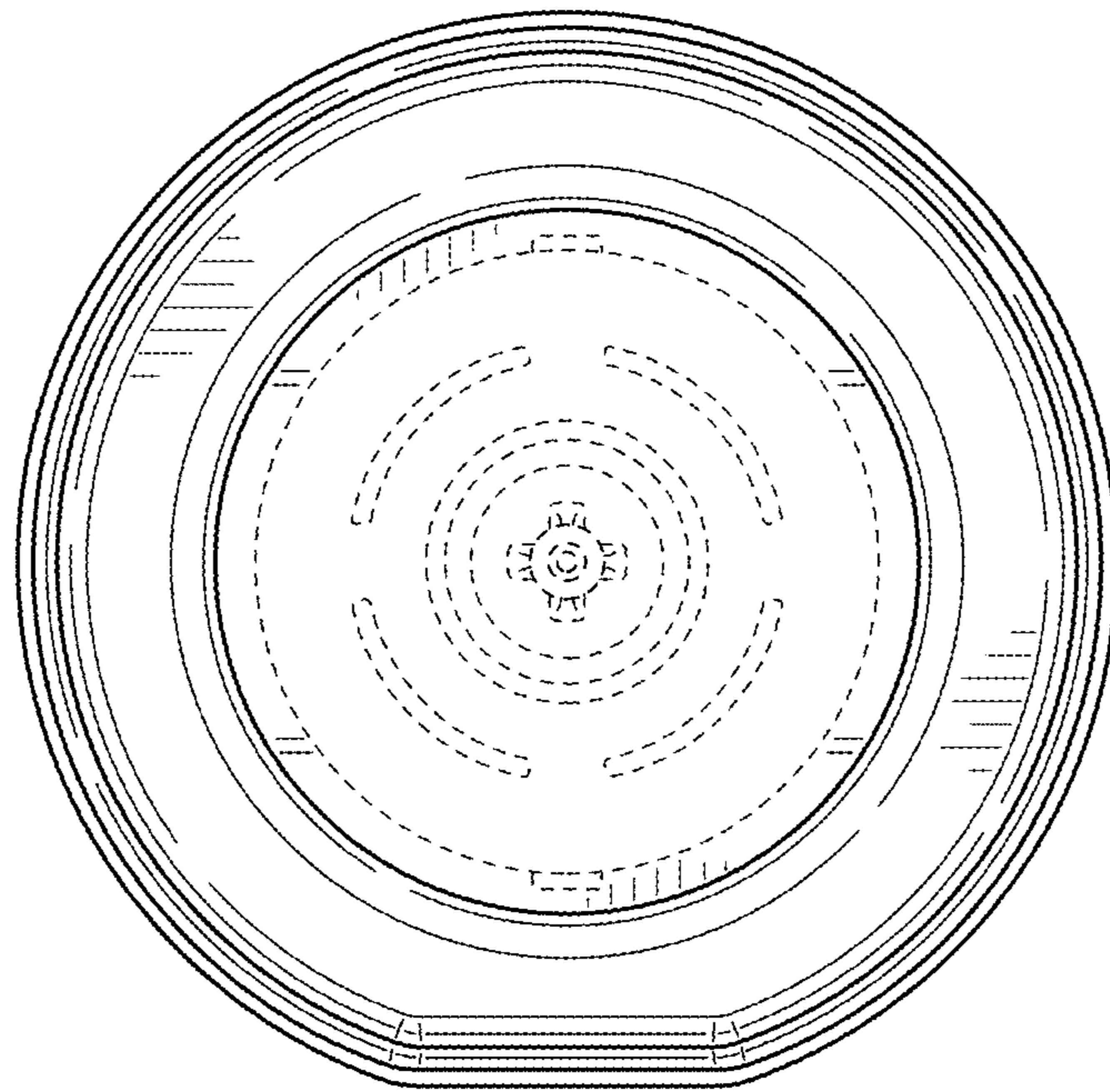


FIG. 6

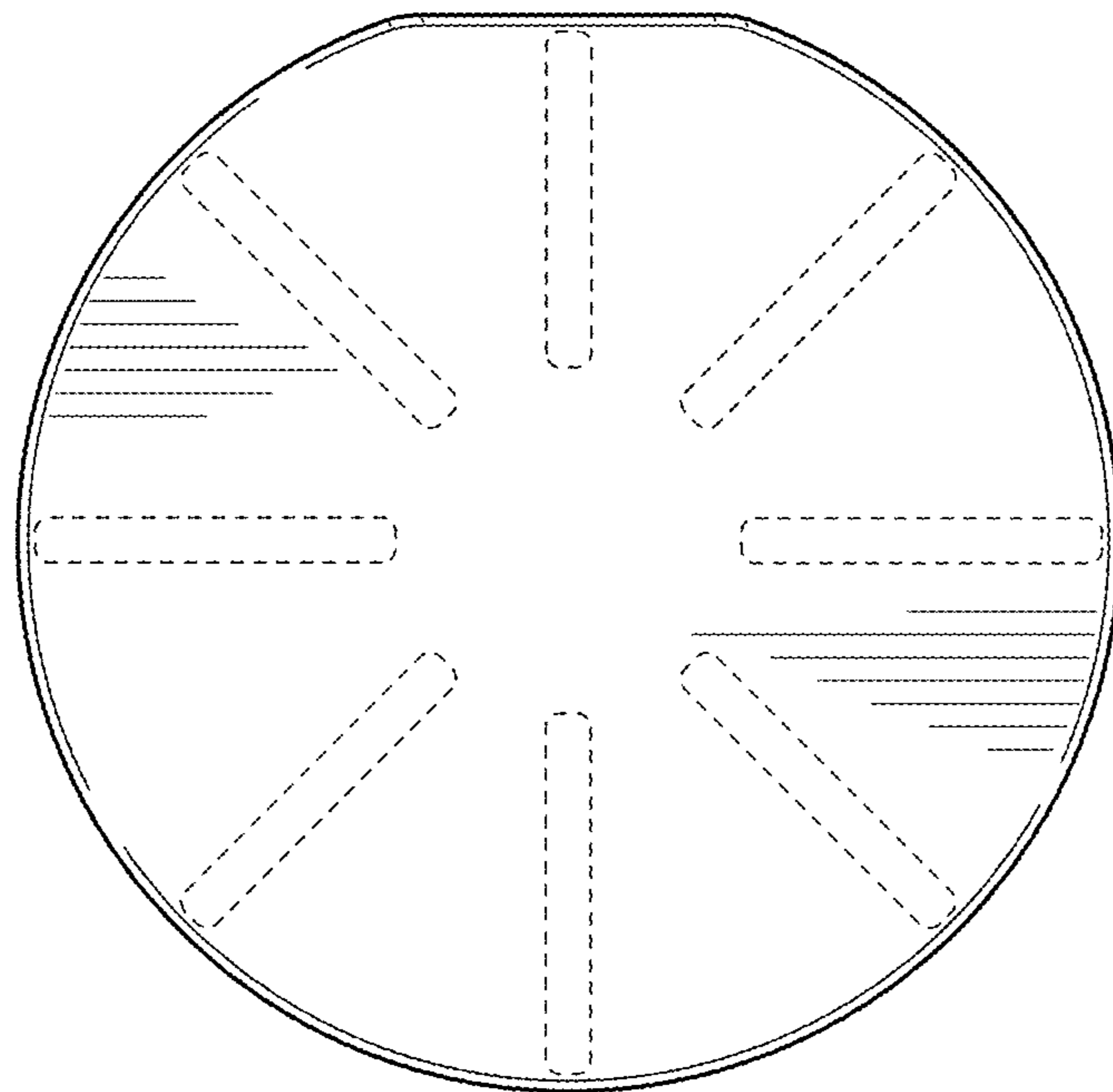


FIG. 7

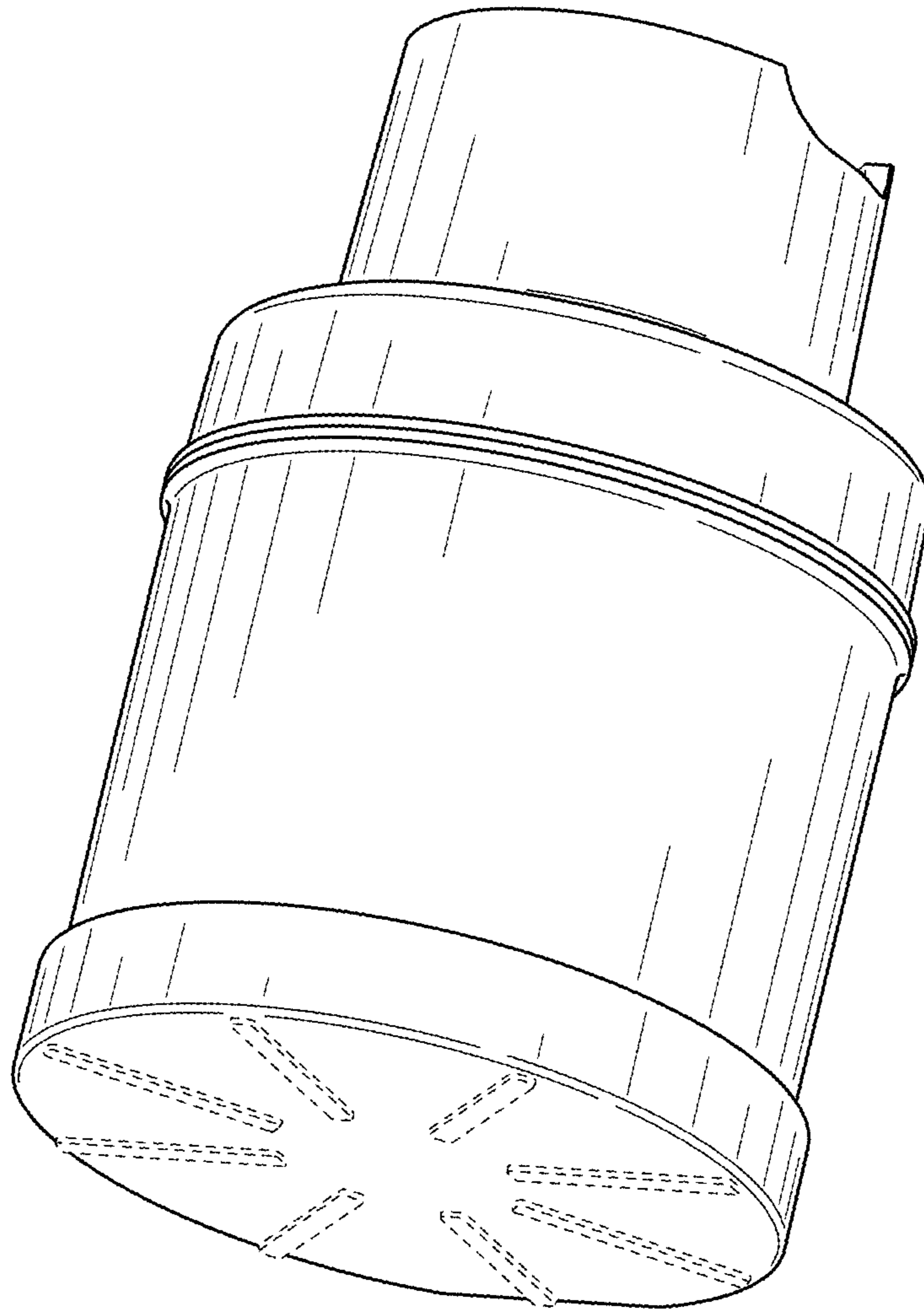


FIG. 8