



US00D814250S

(12) **United States Design Patent** (10) **Patent No.:** **US D814,250 S**
Loneragan (45) **Date of Patent:** **** Apr. 3, 2018**

(54) **DOUGH SHAPING TOOL**
(71) Applicant: **Einstein Noah Restaurant Group, Inc.**, Lakewood, CO (US)
(72) Inventor: **Donald J. Lonergan**, Broomfield, CO (US)
(73) Assignee: **EINSTEIN NOAH RESTAURANT GROUP, INC.**, Lakewood, CO (US)

3,132,423 A 5/1964 De Lano
3,379,142 A 4/1968 Reiter et al.
3,491,704 A 1/1970 Thompson
3,799,726 A 3/1974 Lugo
3,802,824 A 4/1974 Amster et al.
3,857,663 A 12/1974 Atwood
3,862,818 A 1/1975 Atwood
3,936,255 A 2/1976 Bellacicco
4,076,480 A 2/1978 Marano

(Continued)

(**) Term: **15 Years**
(21) Appl. No.: **29/563,848**

(22) Filed: **May 9, 2016**

(51) **LOC (11) Cl.** **07-02**

(52) **U.S. Cl.**
USPC **D7/677**

(58) **Field of Classification Search**
USPC D7/672-679, 693-696, 412, 381-385;
83/856; 99/537; 426/496, 503
CPC B26D 3/283; B26D 3/26; B26D 3/185;
B26D 3/03; B26D 3/11; B26D 1/553;
B26D 29/063; B26D 2003/285-2003/288;
B26D 7/00; B26D 7/01; B26D 2210/02;
A47J 25/00; A47J 43/25
See application file for complete search history.

(56) **References Cited**

U.S. PATENT DOCUMENTS

510,310 A * 12/1893 Avery B26D 3/185
30/303
726,707 A * 4/1903 Lavender B26D 3/26
30/302
1,095,092 A * 4/1914 Drake B26D 3/185
30/303
1,581,310 A * 4/1926 Fetschan B26D 3/24
D7/693
2,072,793 A * 3/1937 Brennan A21C 11/14
426/503
2,628,578 A 2/1953 Roth

FOREIGN PATENT DOCUMENTS

CA 2241577 1/2010

Primary Examiner — Susan Bennett Hattan

Assistant Examiner — Brett Miller

(74) *Attorney, Agent, or Firm* — Dorsey & Whitney LLP

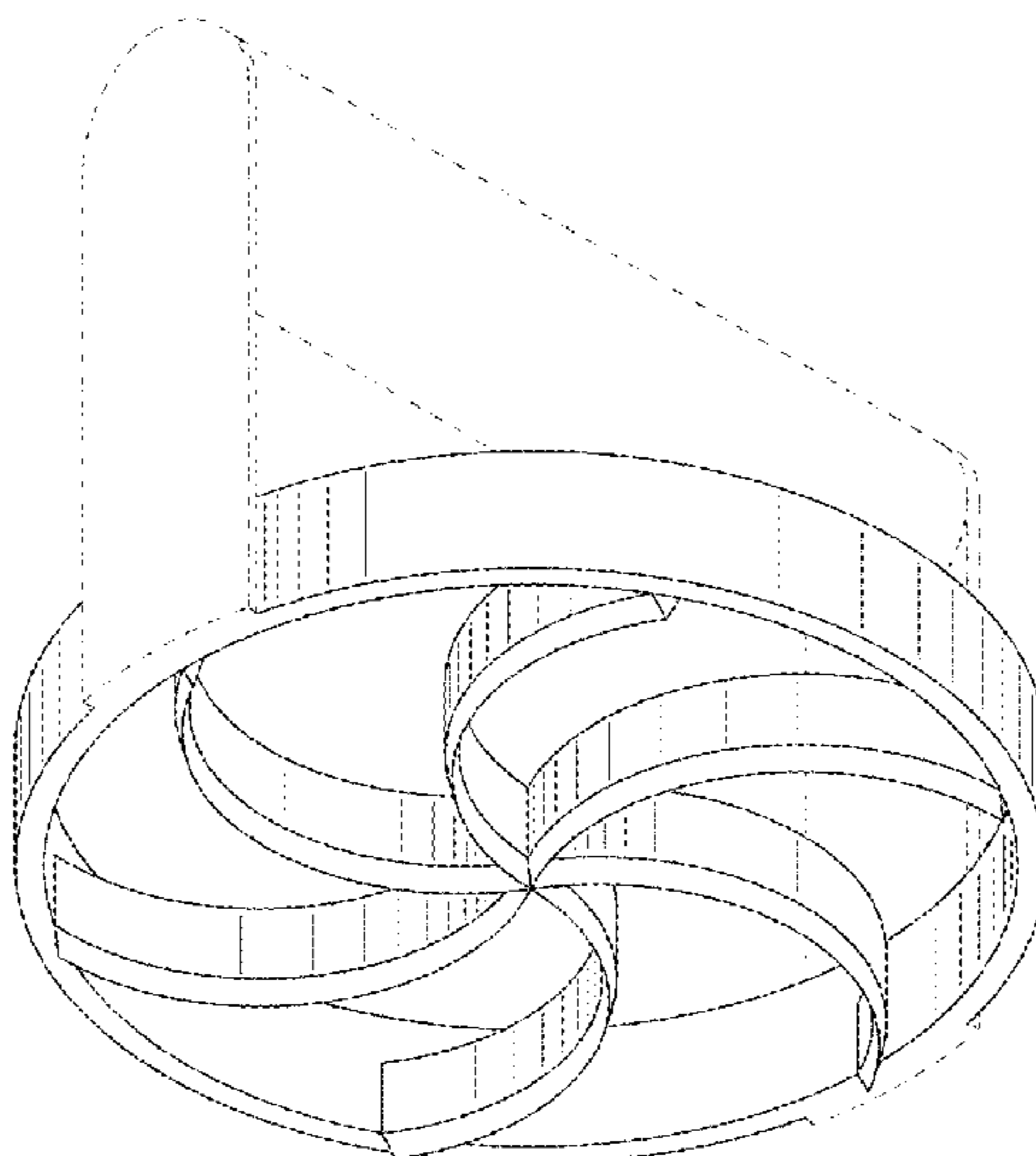
(57) **CLAIM**

I claim the ornamental design for a dough shaping tool, as shown and described.

DESCRIPTION

FIG. 1 is a top perspective view of a dough shaping tool.
FIG. 2 is a bottom perspective view of the dough shaping tool of FIG. 1.
FIG. 3 is a front elevation view of the dough shaping tool of FIG. 1.
FIG. 4 is a rear elevation view of the dough shaping tool of FIG. 1.
FIG. 5 is a right side elevation view of the dough shaping tool of FIG. 1.
FIG. 6 is a left side elevation view of the dough shaping tool of FIG. 1.
FIG. 7 is a top plan view of the dough shaping tool of FIG. 1; and,
FIG. 8 is a bottom plan view of the dough shaping tool of FIG. 1.
The broken lines depict portions of the dough shaping tool that form no part of the claimed design.

1 Claim, 4 Drawing Sheets



(56)

References Cited

U.S. PATENT DOCUMENTS

4,789,555	A	12/1988	Judd	
D311,304	S *	10/1990	Virk	D7/672
D350,882	S *	9/1994	Charland	D7/672
D358,074	S *	5/1995	McClellan	D7/672
5,540,578	A	7/1996	Atwood	
D397,277	S *	8/1998	Gibbs, Jr.	D7/672
6,165,527	A	12/2000	Wilk et al.	
D446,088	S *	8/2001	Pardee	D7/673
7,186,429	B2	3/2007	Finkowski	
D550,521	S *	9/2007	Roberson	D7/672
D586,189	S *	2/2009	Austin	D7/673
D630,040	S *	1/2011	Suski	D7/368
D663,099	S	7/2012	Yamada	
8,622,729	B2	1/2014	Suski et al.	
8,826,815	B2	9/2014	Megdal	
D759,438	S *	6/2016	Dukat	D7/679
2003/0101878	A1	6/2003	Muldoon	
2005/0109220	A1	5/2005	Arlinghaus et al.	
2006/0182859	A1	8/2006	Arend	
2006/0182861	A1	8/2006	Arend	
2011/0139016	A1	6/2011	Romano	

* cited by examiner

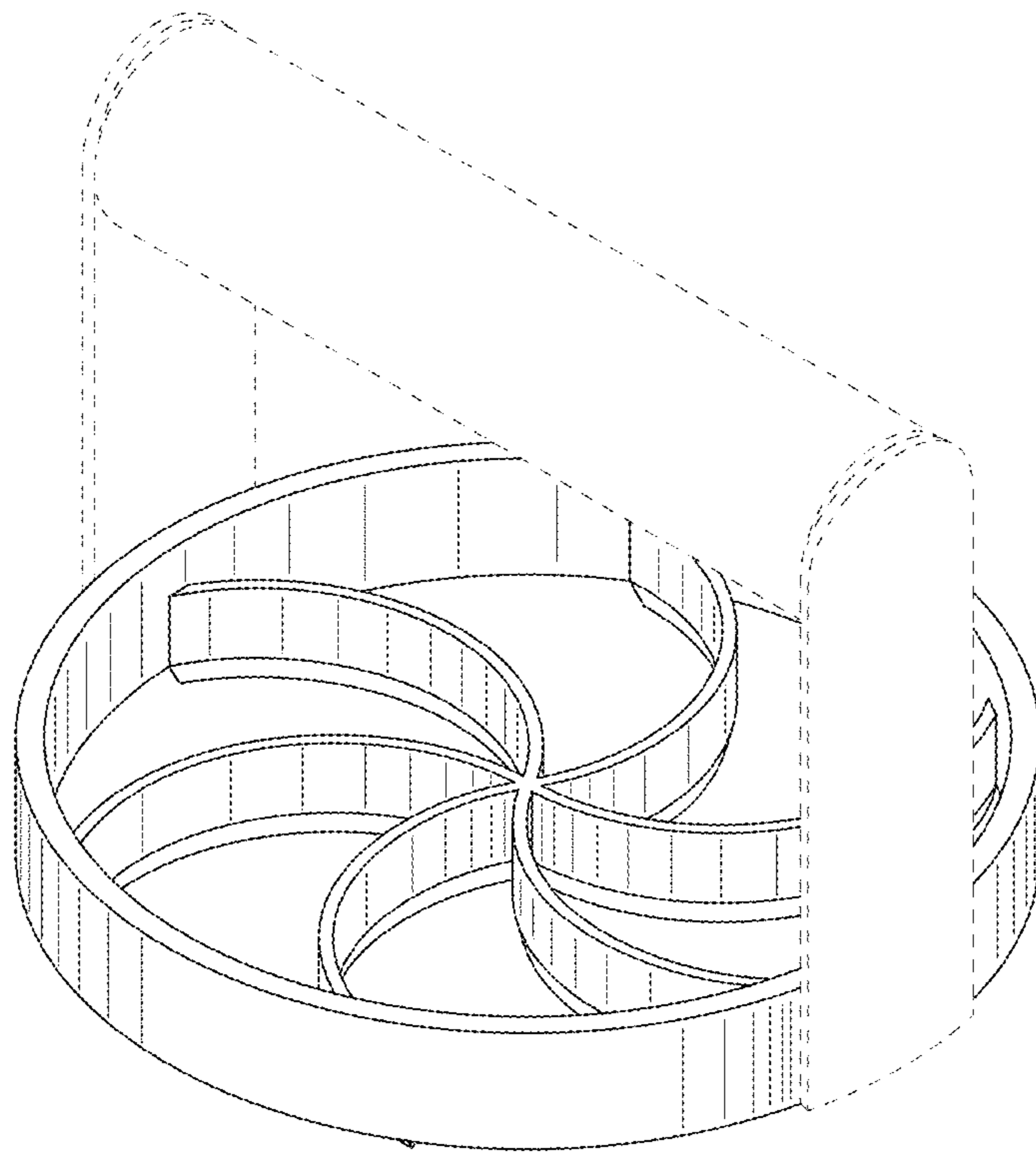


FIG. 1

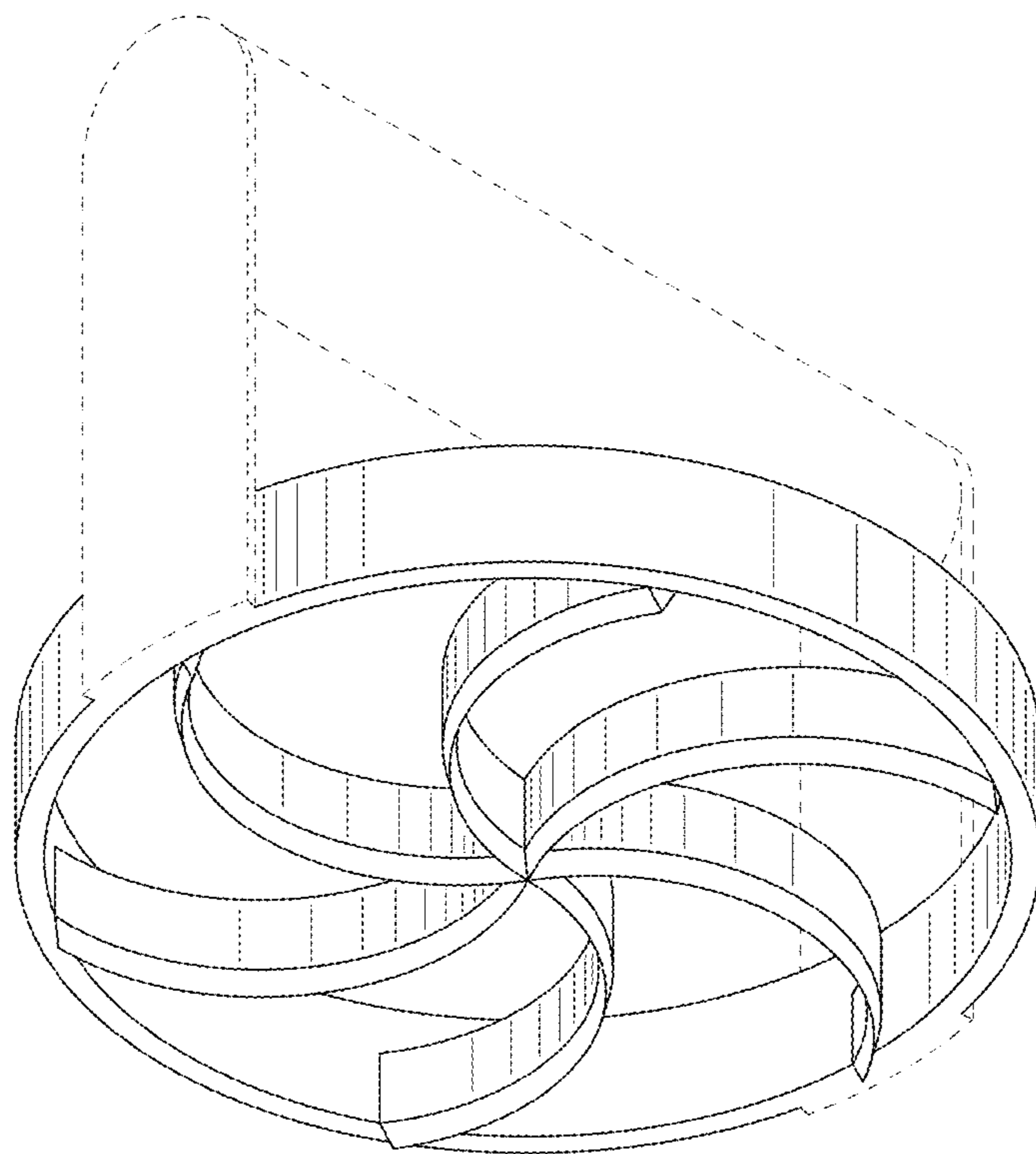


FIG. 2

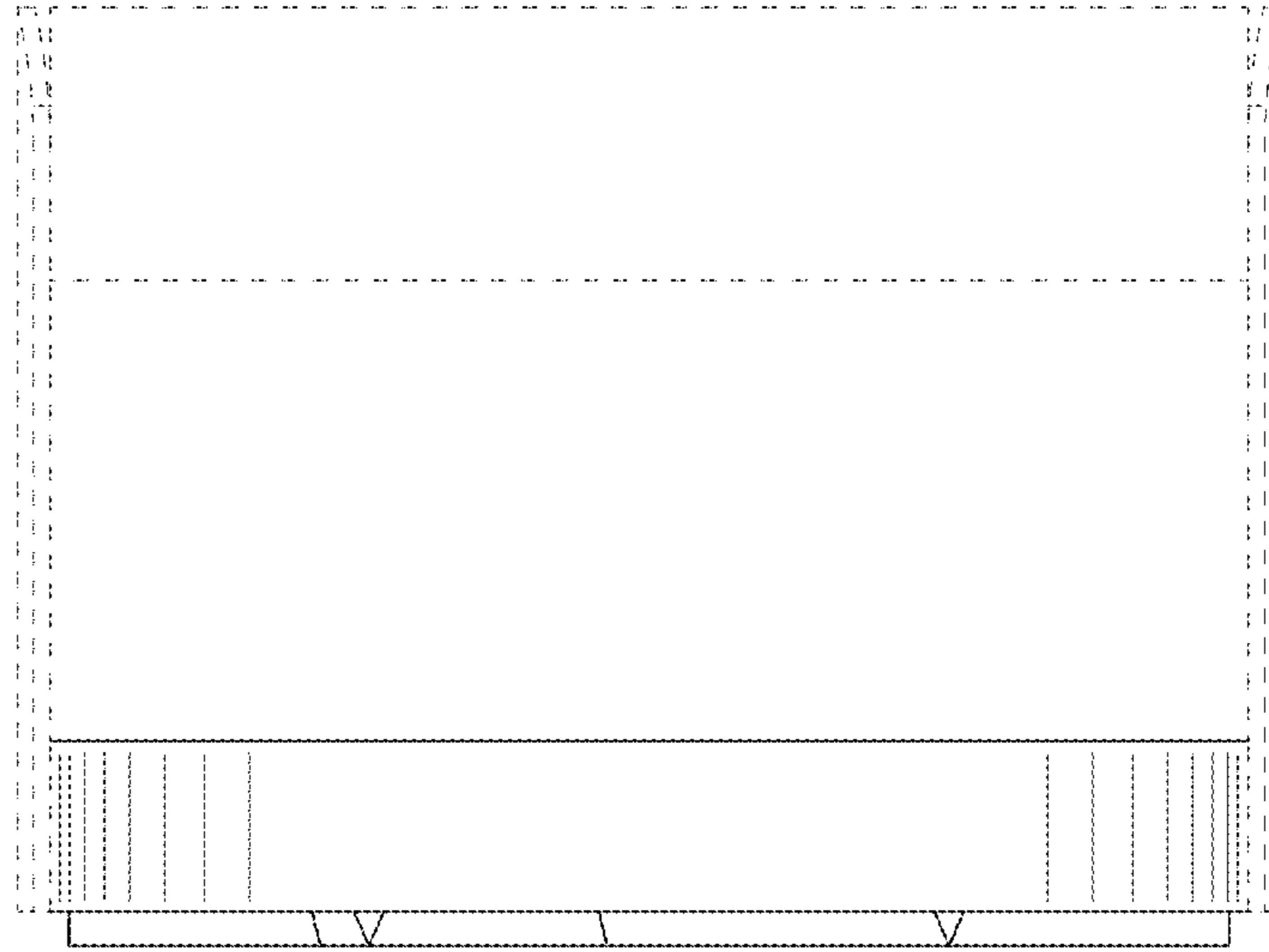


FIG. 3

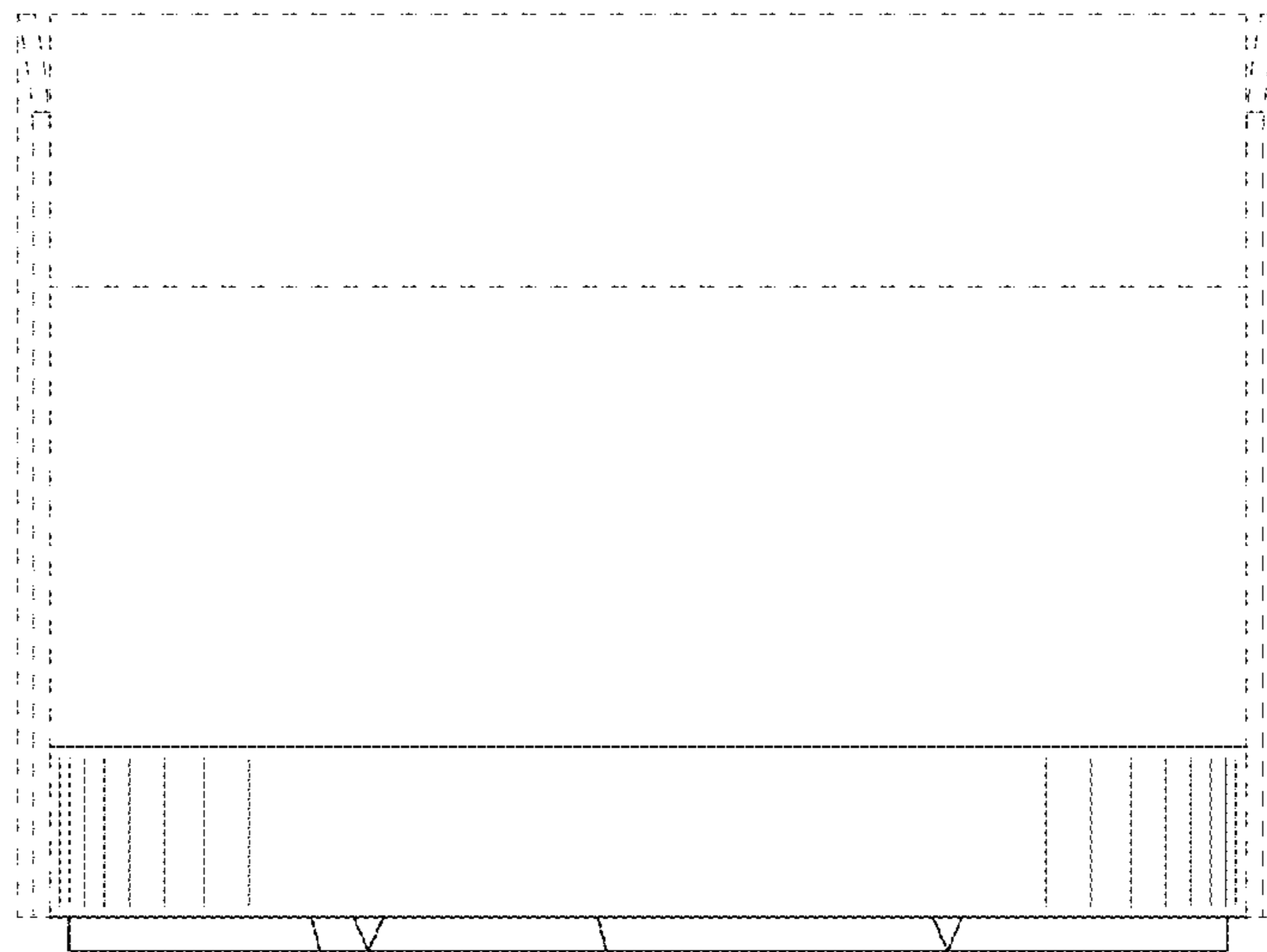


FIG. 4

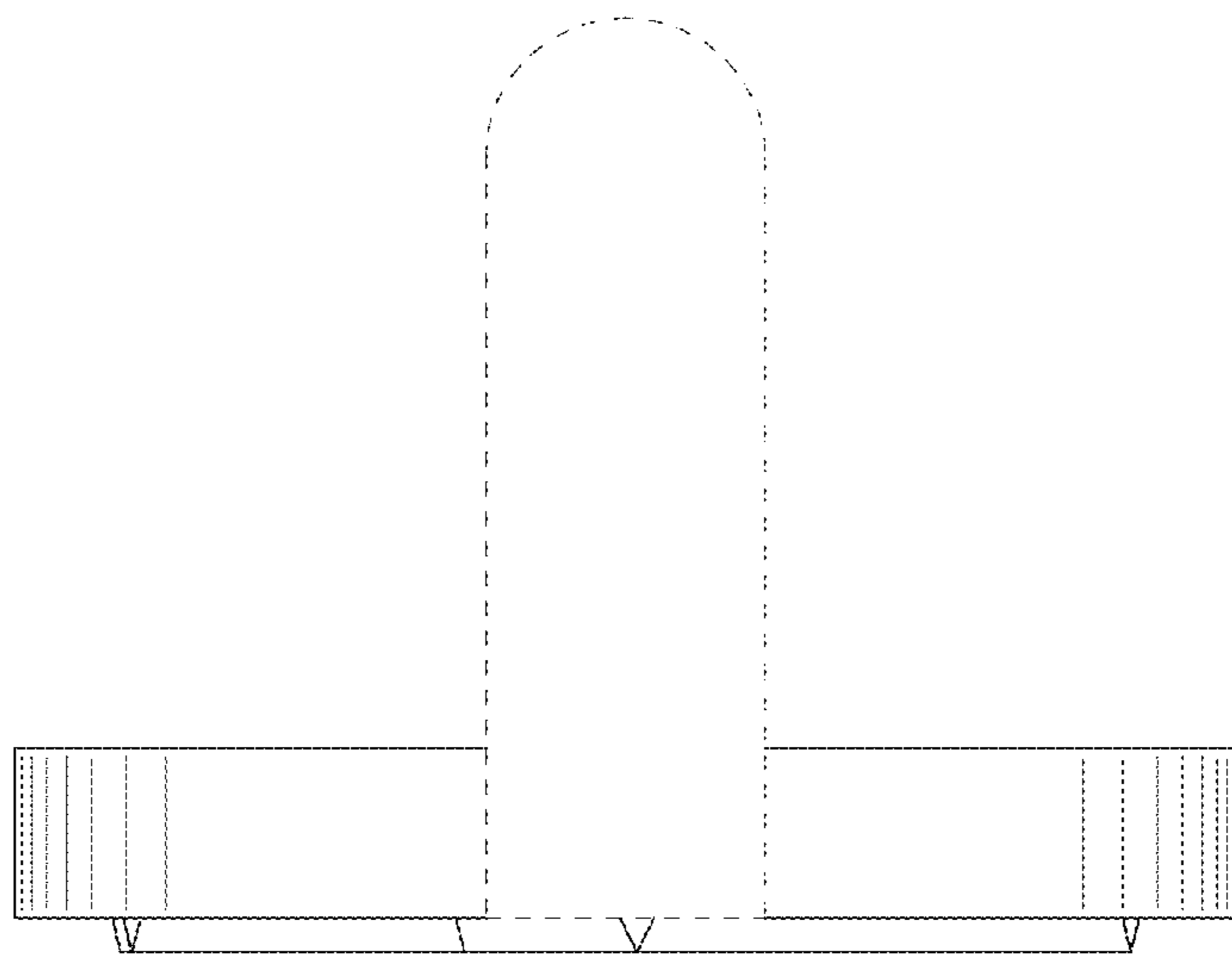


FIG. 5

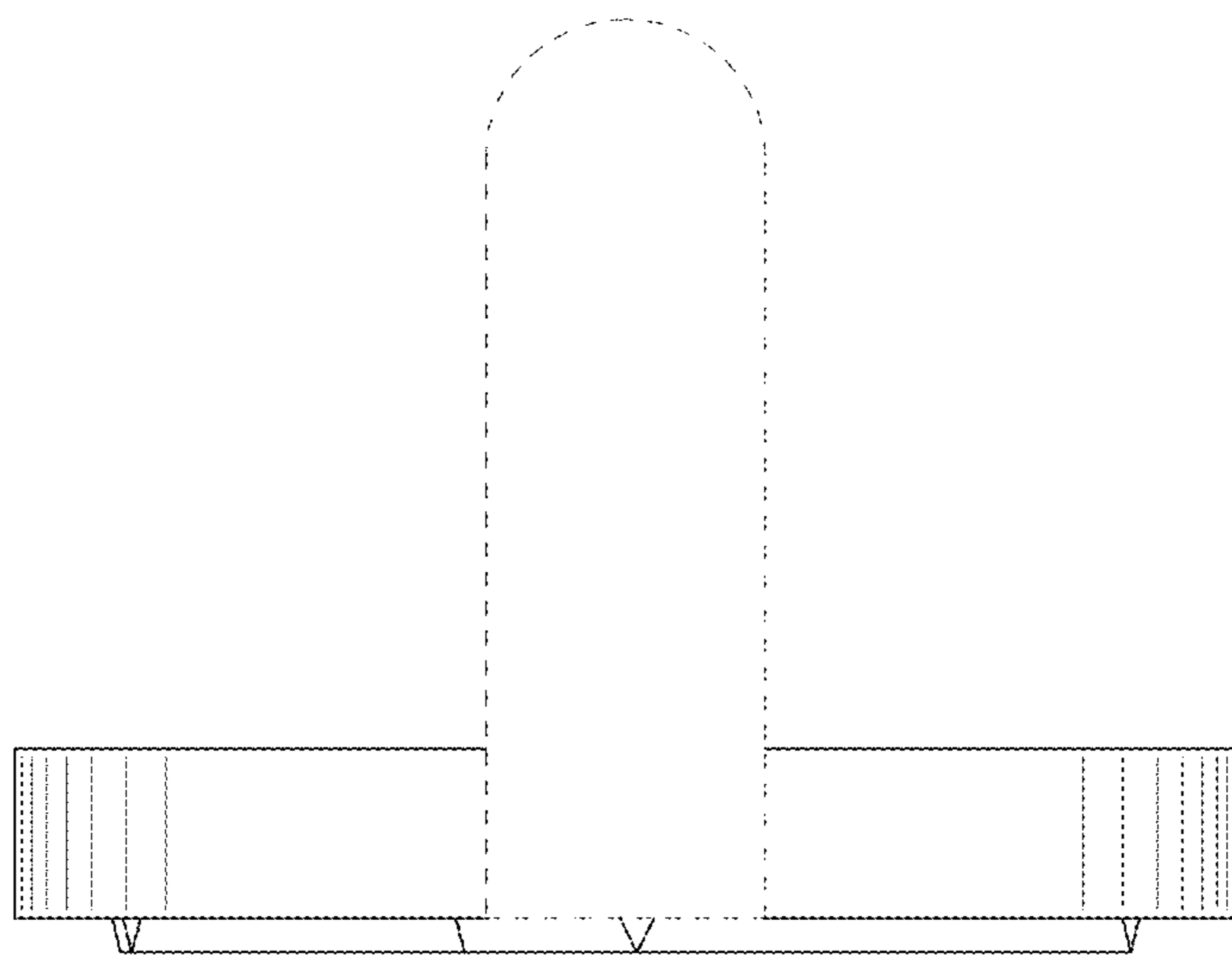


FIG. 6

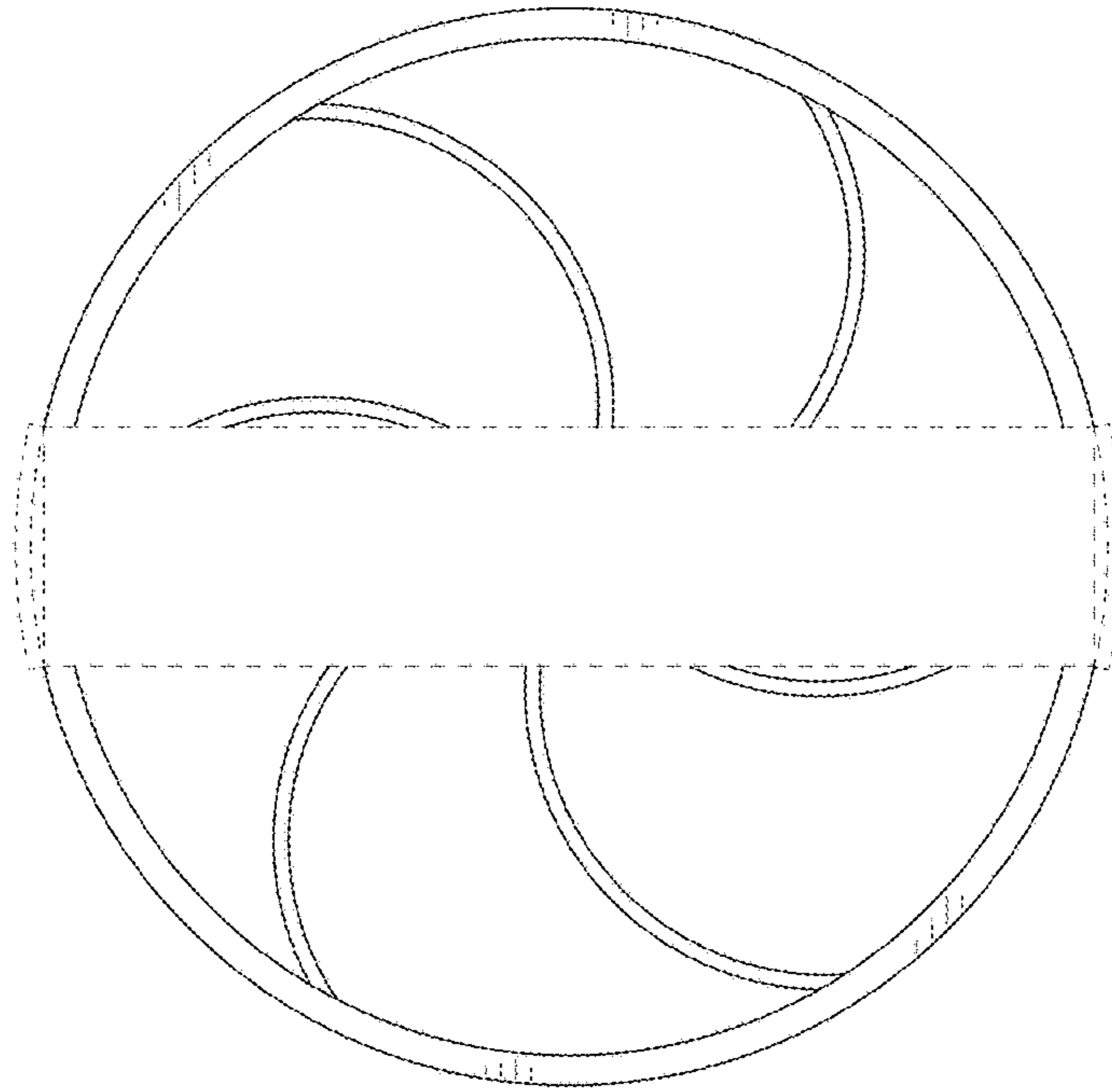


FIG. 7

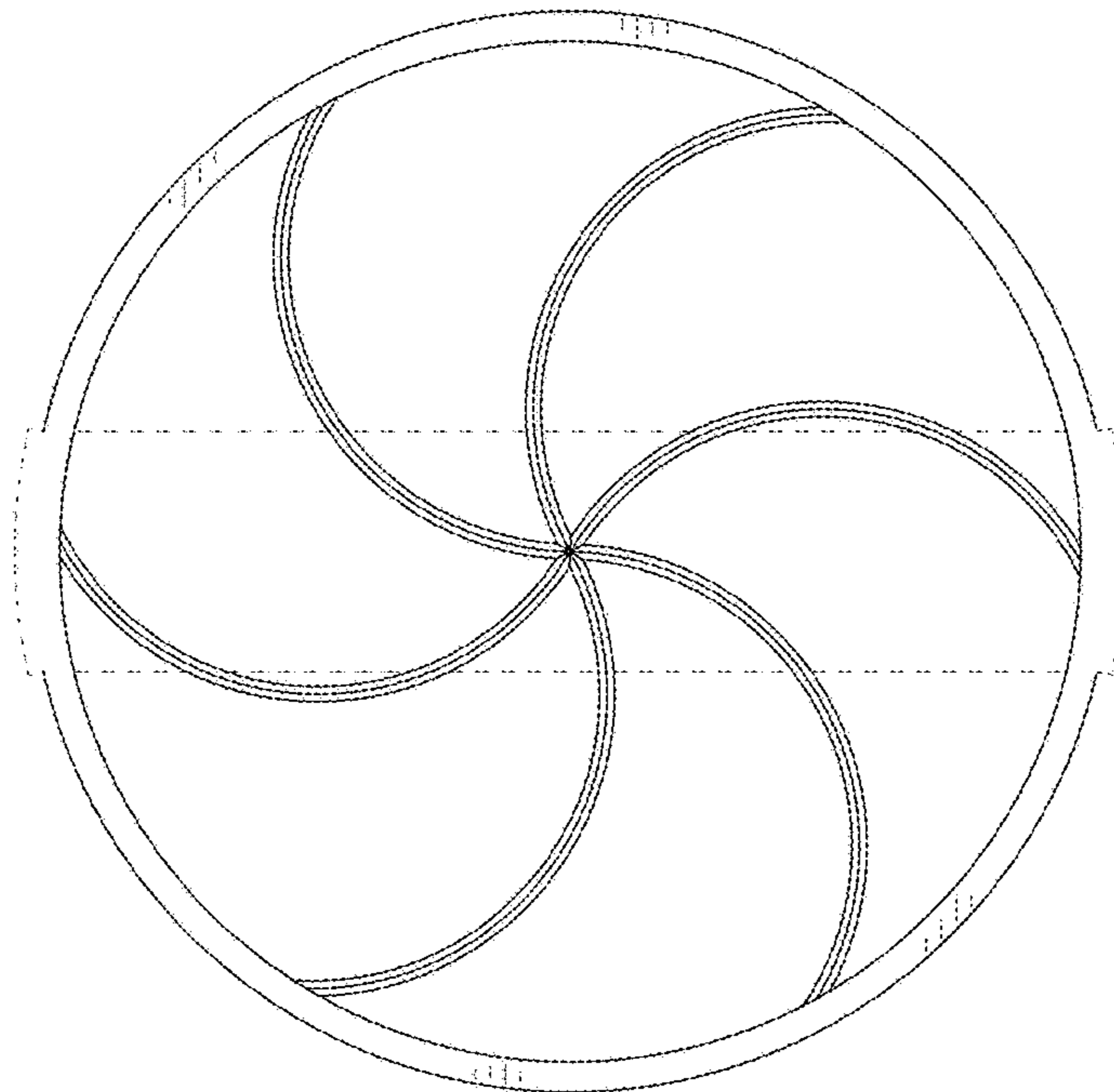


FIG. 8