



US00D814247S

(12) **United States Design Patent**  
**Brattoli**

(10) **Patent No.:** **US D814,247 S**

(45) **Date of Patent:** **\*\* Apr. 3, 2018**

(54) **INSULATED FOOD CONTAINER**

*Primary Examiner* — Jennifer Rivard

*Assistant Examiner* — April Rivas

(71) Applicant: **CAMBRO MANUFACTURING COMPANY**, Huntington Beach, CA (US)

(57) **CLAIM**

I claim the ornamental design for an insulated food container, as shown and described.

(72) Inventor: **Pietro Brattoli**, Neckartenzlingen (DE)

(73) Assignee: **Cambro Manufacturing**, Huntington Beach, CA (US)

**DESCRIPTION**

(\*\*) Term: **15 Years**

FIG. 1 is a left side perspective view of the insulated food container in a closed configuration.

(21) Appl. No.: **29/592,043**

FIG. 2 is a left side elevation view thereof.

(22) Filed: **Jan. 26, 2017**

FIG. 3 is a front elevation view thereof.

(51) **LOC (11) Cl.** ..... **07-01**

FIG. 4 is a top plan view thereof.

(52) **U.S. Cl.**

FIG. 5 is a right side elevation view thereof.

USPC ..... **D7/605; D7/703**

FIG. 6 is a back elevation view thereof.

(58) **Field of Classification Search**

FIG. 7 is a bottom plan view thereof.

USPC ..... D7/605, 607, 608, 630, 629, 703;  
D3/273, 276, 279, 282, 284, 289, 902,  
D3/901, 274

FIG. 8 is a bottom, back, and left perspective view thereof.

CPC ..... B65D 81/3813; B65D 81/3823; B65D  
81/3888; B65D 81/3816; A45C 11/20;  
F25B 19/00

FIG. 9 is a left side perspective view thereof, showing only the top half of the container.

See application file for complete search history.

FIG. 10 is a left side elevation view thereof.

(56) **References Cited**

**U.S. PATENT DOCUMENTS**

- 3,016,129 A \* 1/1962 King, III ..... A47J 41/0072  
206/545
- 3,850,333 A \* 11/1974 Reichert ..... A45C 11/20  
206/545
- RE30,962 E \* 6/1982 Bridges ..... B65D 81/3823  
206/217

FIG. 11 is a front elevation view thereof.

FIG. 12 is a top plan view thereof.

FIG. 13 is a right side elevation view thereof.

FIG. 14 is a back elevation view thereof.

FIG. 15 is a bottom plan view thereof.

FIG. 16 is a bottom and left side perspective view thereof.

FIG. 17 is a left side perspective view thereof, showing only the bottom half of the container.

FIG. 18 is a left side elevation view thereof.

FIG. 19 is a front elevation view of the thereof.

FIG. 20 is a top plan view thereof.

FIG. 21 is a right side elevation view thereof.

FIG. 22 is a back elevation view thereof.

FIG. 23 is a bottom plan view thereof; and,

FIG. 24 is a bottom perspective view thereof.

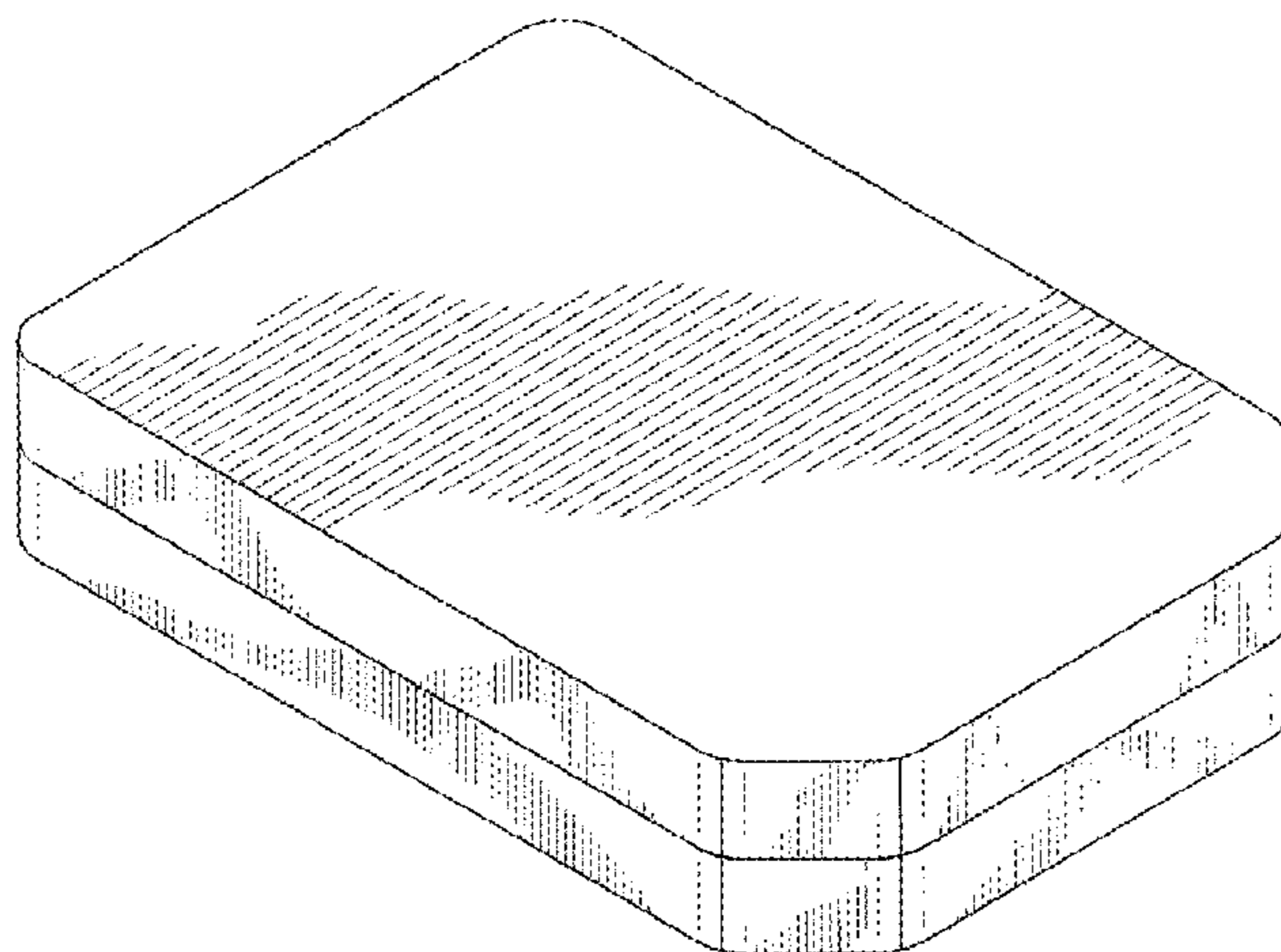
The top and bottom halves of the container are shown independently in FIGS. 9-16 and FIGS. 17-24 for convenience of illustration only.

(Continued)

**OTHER PUBLICATIONS**

Cambro, "Tablotherm Meal Delivery System spec sheet", Accessed Jan. 17, 2018. (<https://www.cambro.com/Tablotherm/>).\*

**1 Claim, 9 Drawing Sheets**



(56)

**References Cited**

U.S. PATENT DOCUMENTS

D280,059	S *	8/1985	Otto .....	D7/538
D305,085	S *	12/1989	Otto .....	D7/505
D305,490	S *	1/1990	Conley .....	D7/605
D363,648	S *	10/1995	O'Brien .....	D7/605
D371,056	S *	6/1996	Sullivan .....	D7/605
5,671,846	A *	9/1997	Frank .....	A45C 11/20
				190/111
D510,684	S *	10/2005	Crosby .....	D3/313
D516,870	S *	3/2006	Martinez .....	D3/289
9,414,701	B1 *	8/2016	Yen .....	A45C 13/02
2006/0201950	A1 *	9/2006	Liu .....	B65D 1/24
				220/526
2007/0284358	A1 *	12/2007	Claffy .....	A47G 23/06
				219/386
2010/0308039	A1 *	12/2010	Miros .....	A45C 11/20
				220/4.22
2011/0114526	A1 *	5/2011	Neumann .....	A45C 11/20
				206/459.5
2011/0240653	A1 *	10/2011	Castner .....	A45C 11/20
				220/526
2016/0278494	A1 *	9/2016	Churro Monteiro ..	A45C 13/10
2016/0355319	A1 *	12/2016	Stephens .....	A45C 11/20
2017/0245610	A1 *	8/2017	French .....	A45C 11/20

\* cited by examiner

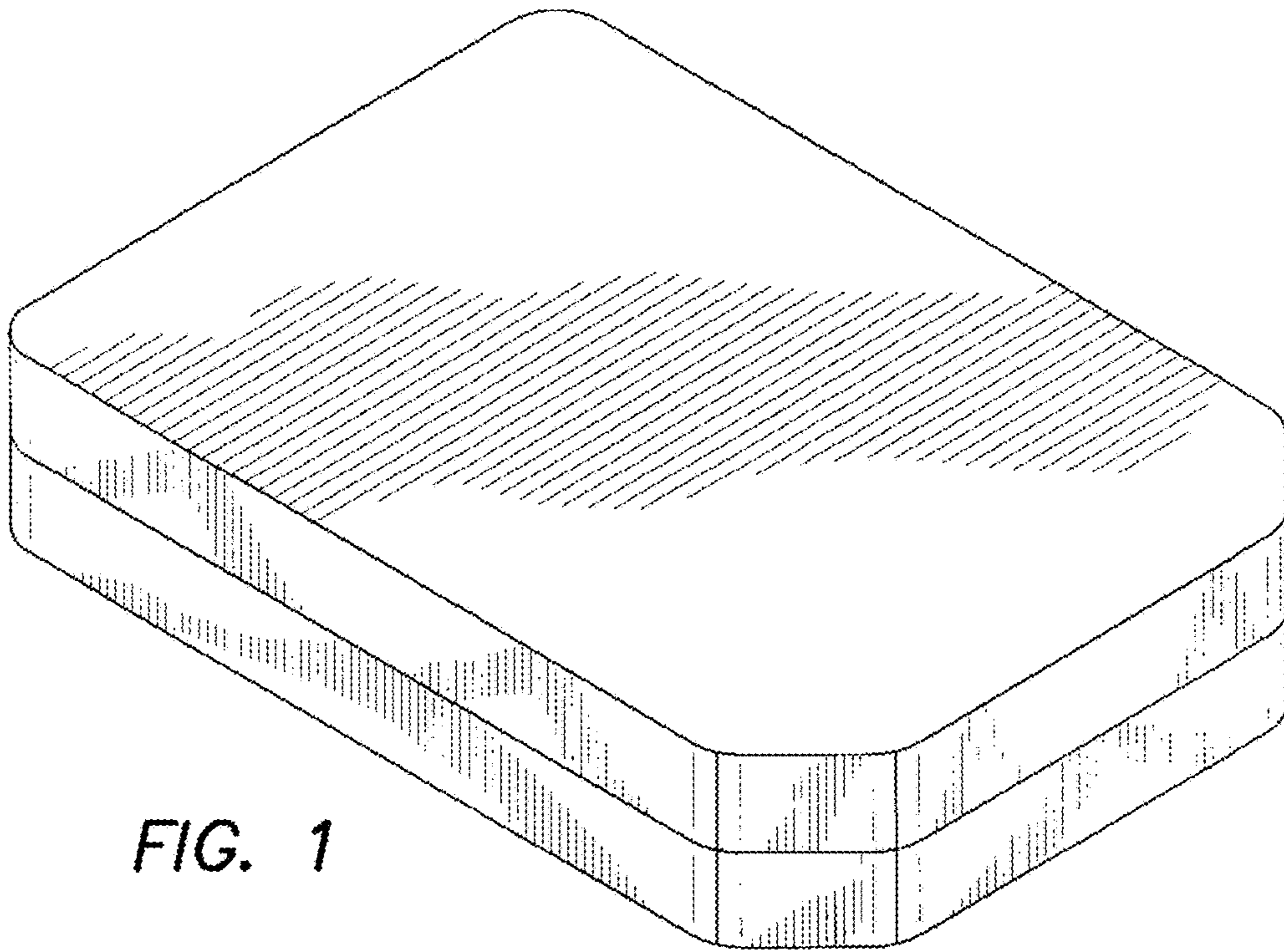


FIG. 1

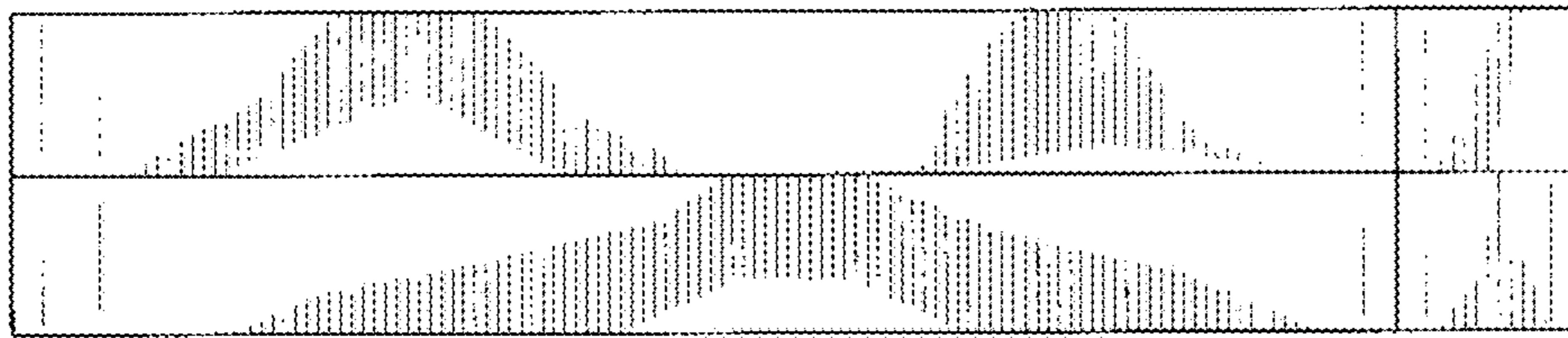


FIG. 2

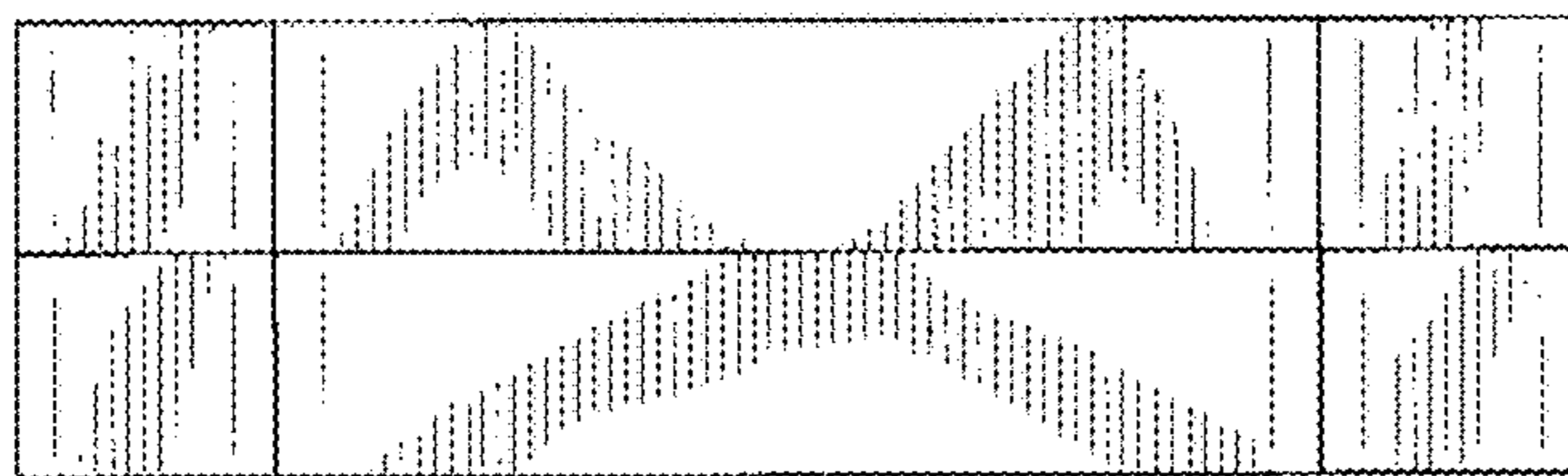


FIG. 3

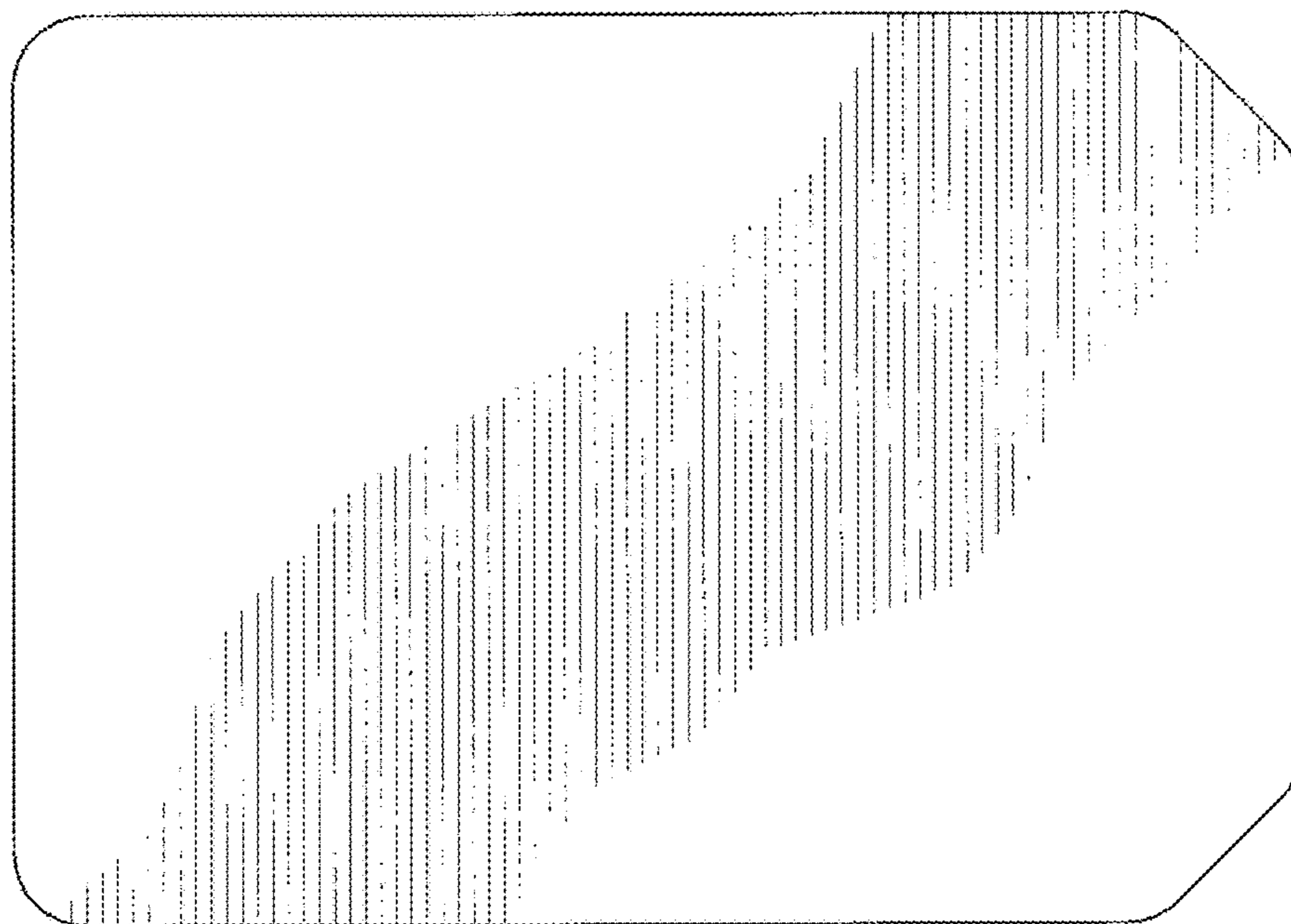


FIG. 4

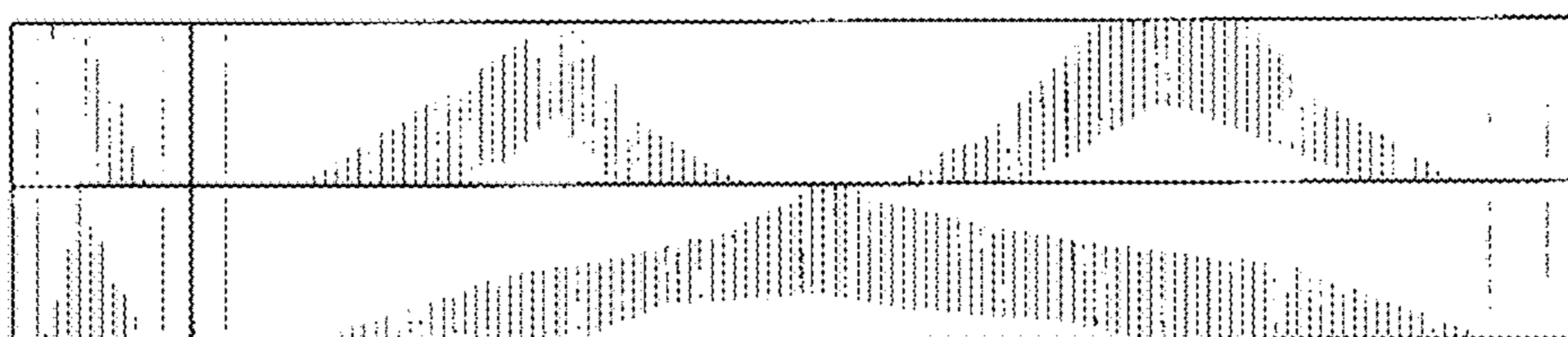


FIG. 5

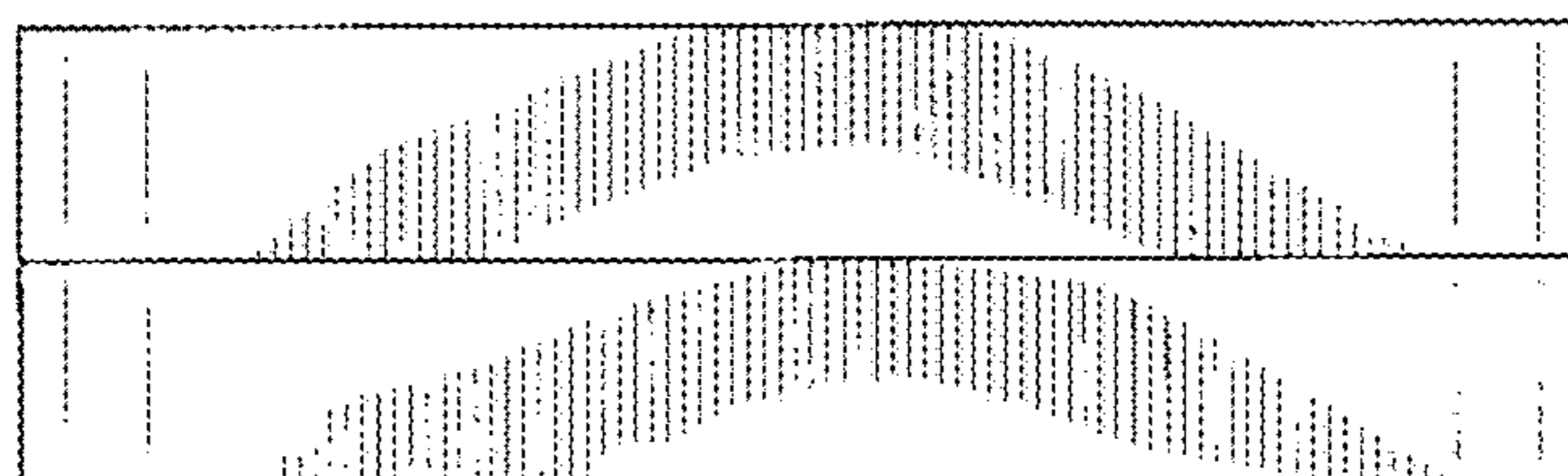


FIG. 6

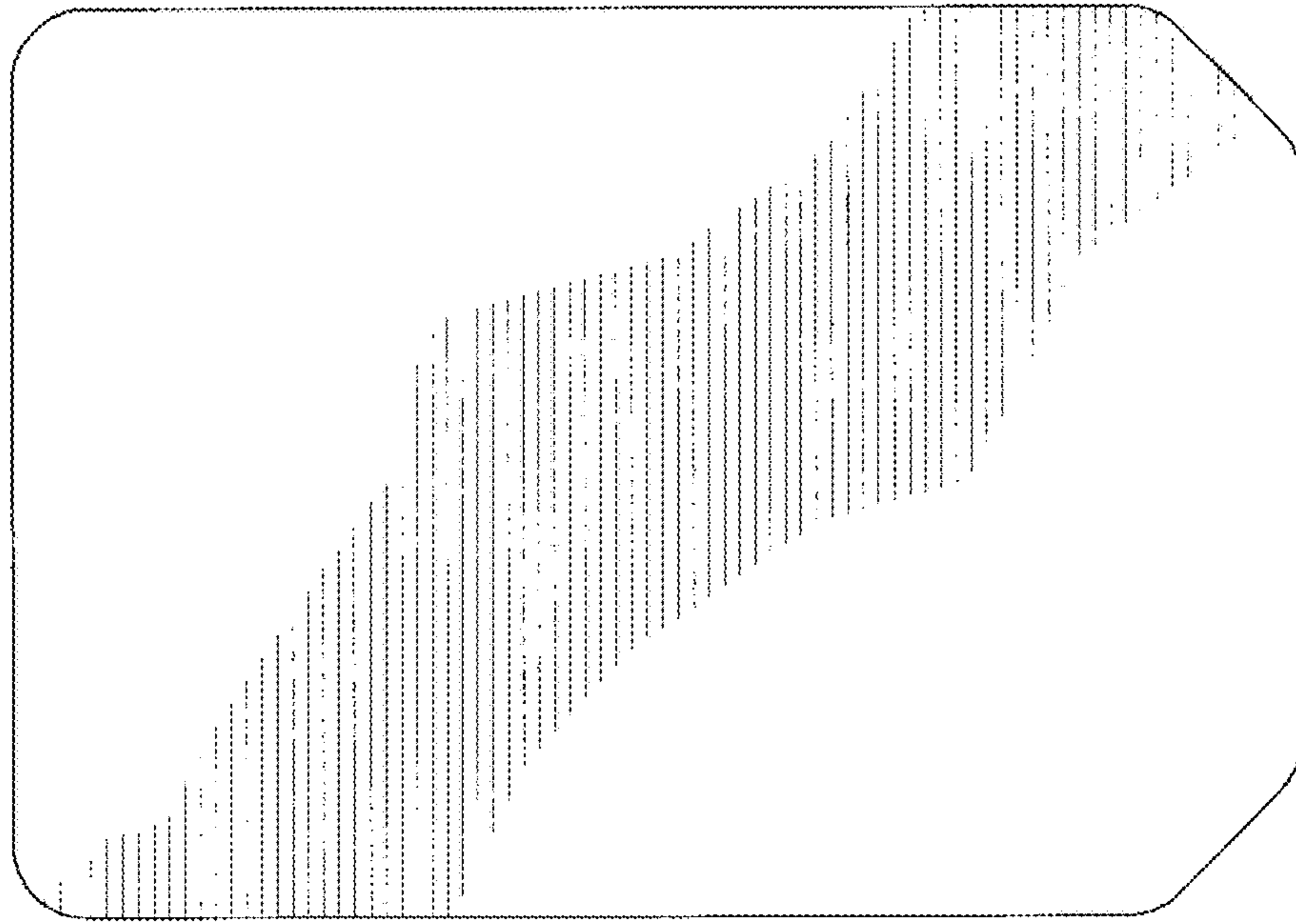


FIG. 7

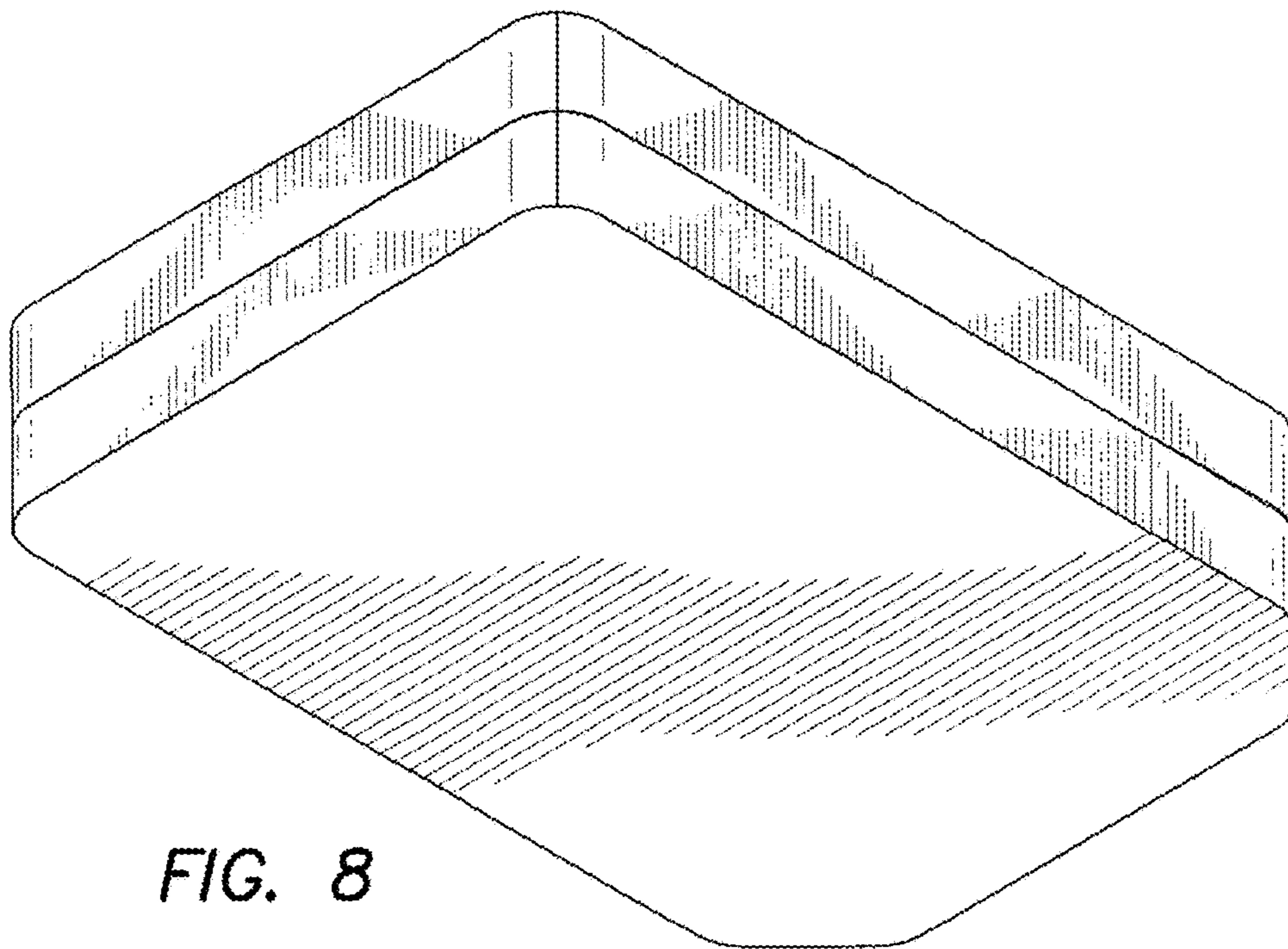


FIG. 8

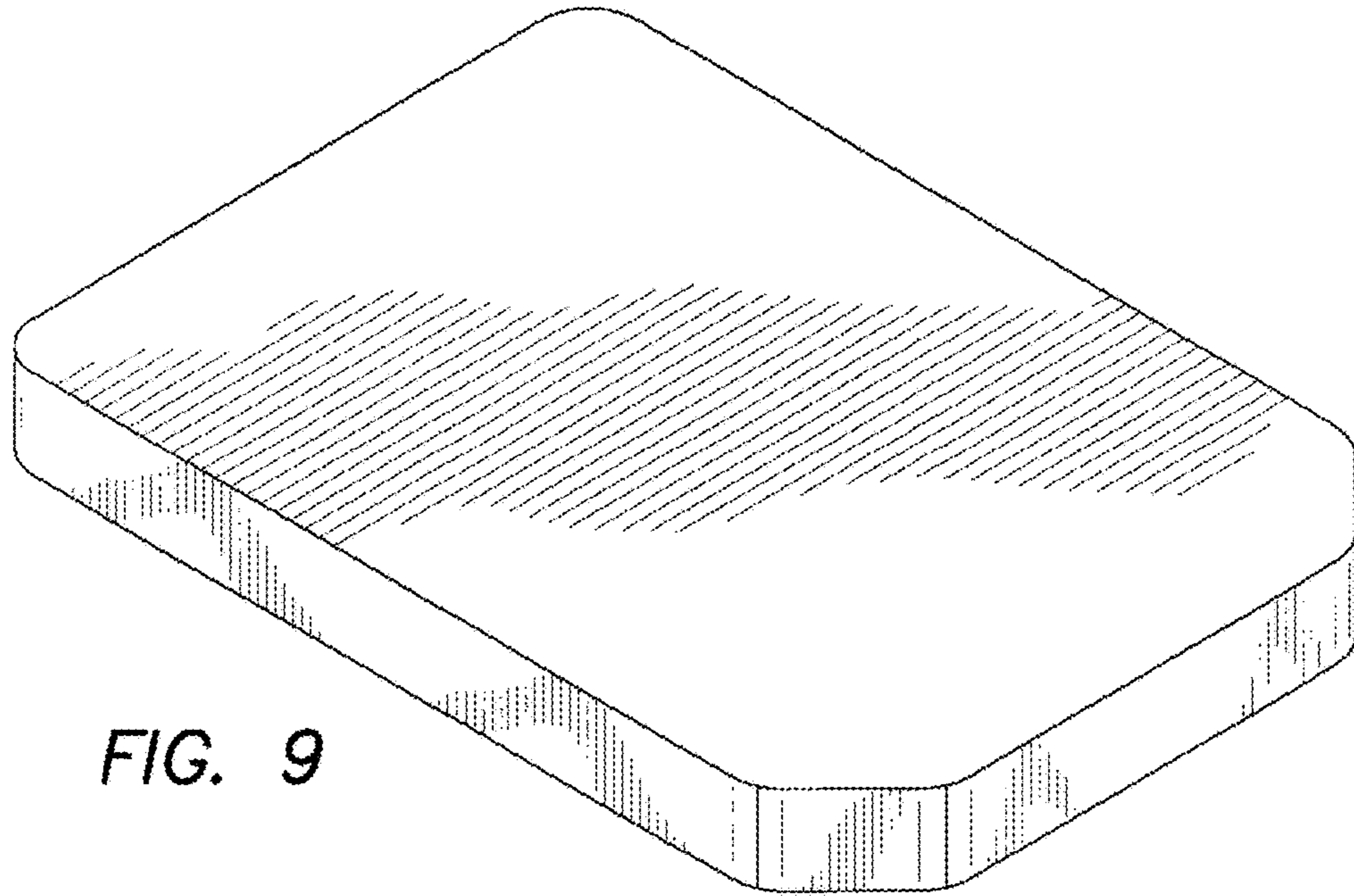


FIG. 9



FIG. 10

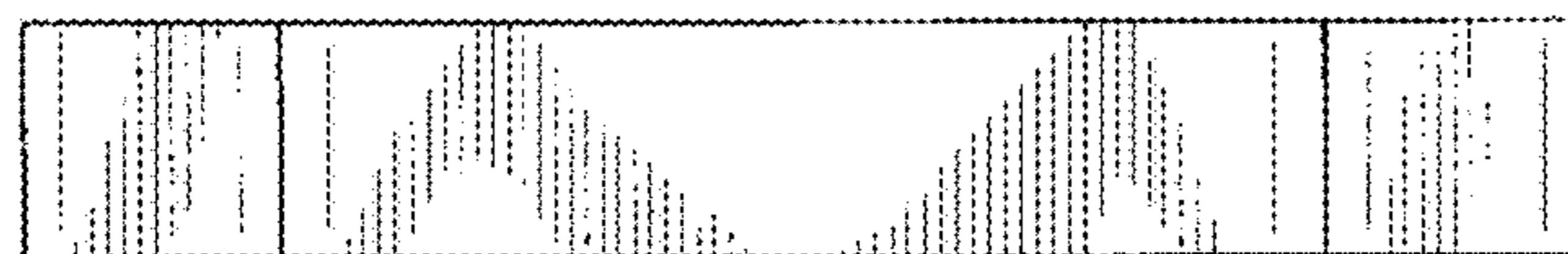


FIG. 11

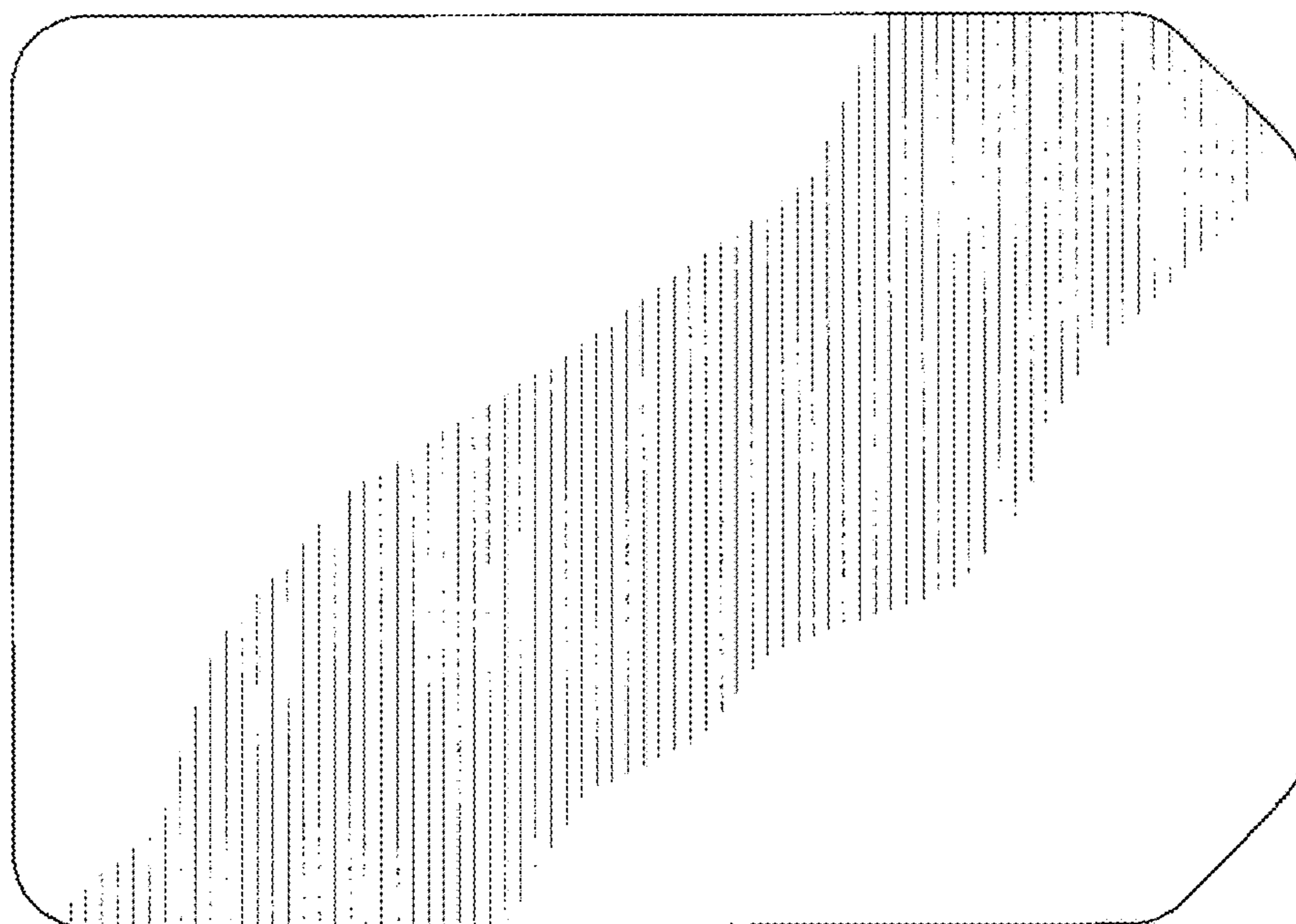


FIG. 12

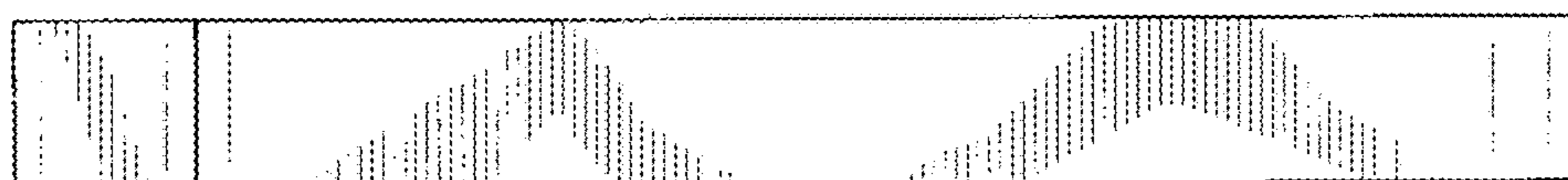


FIG. 13

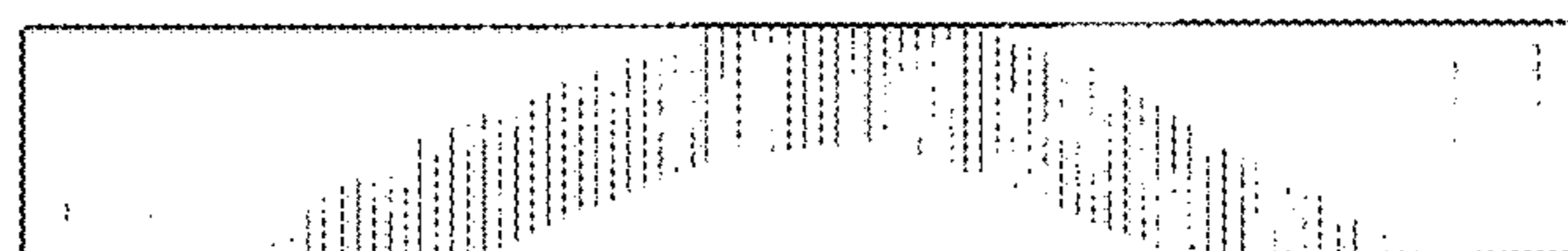


FIG. 14

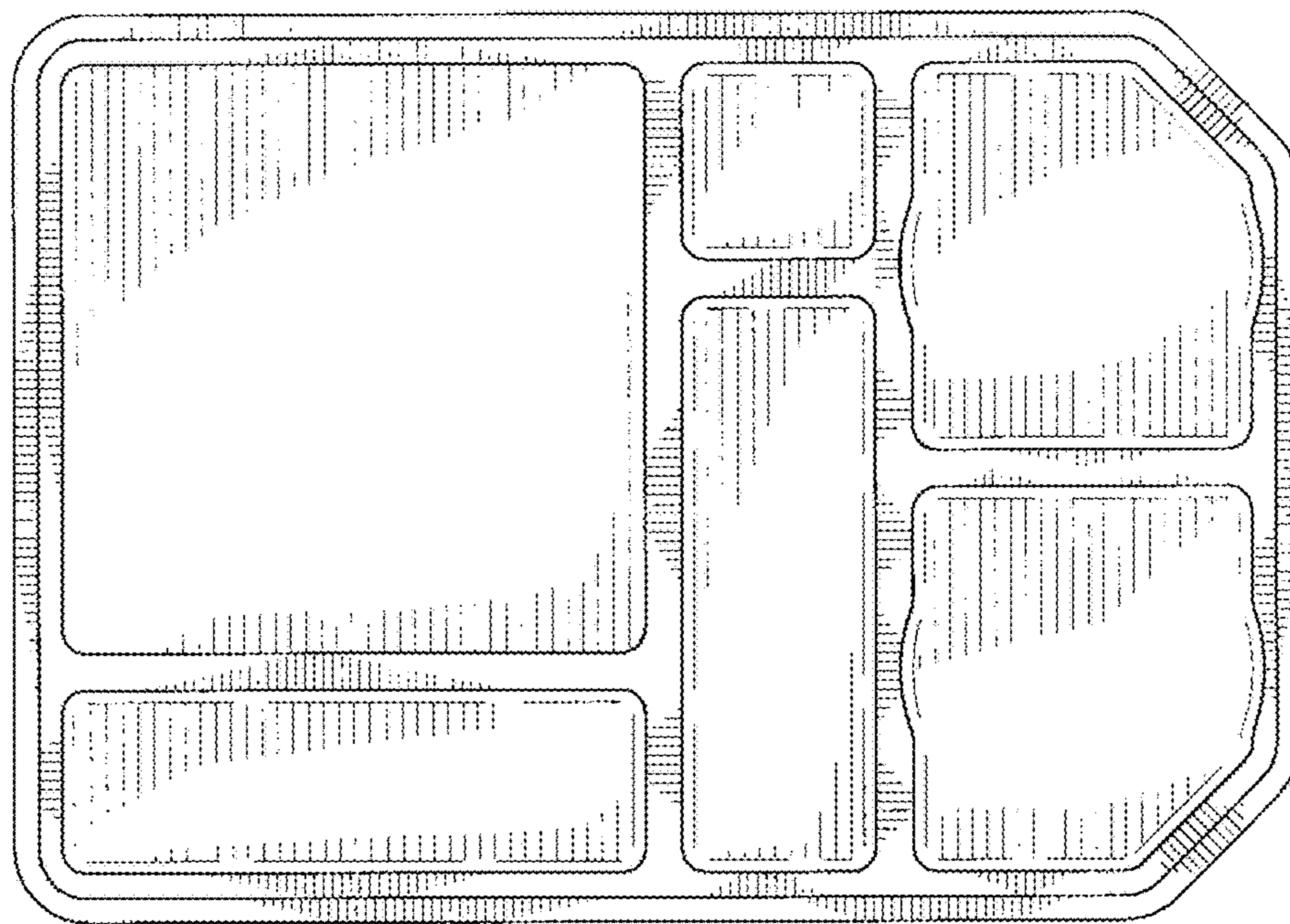


FIG. 15

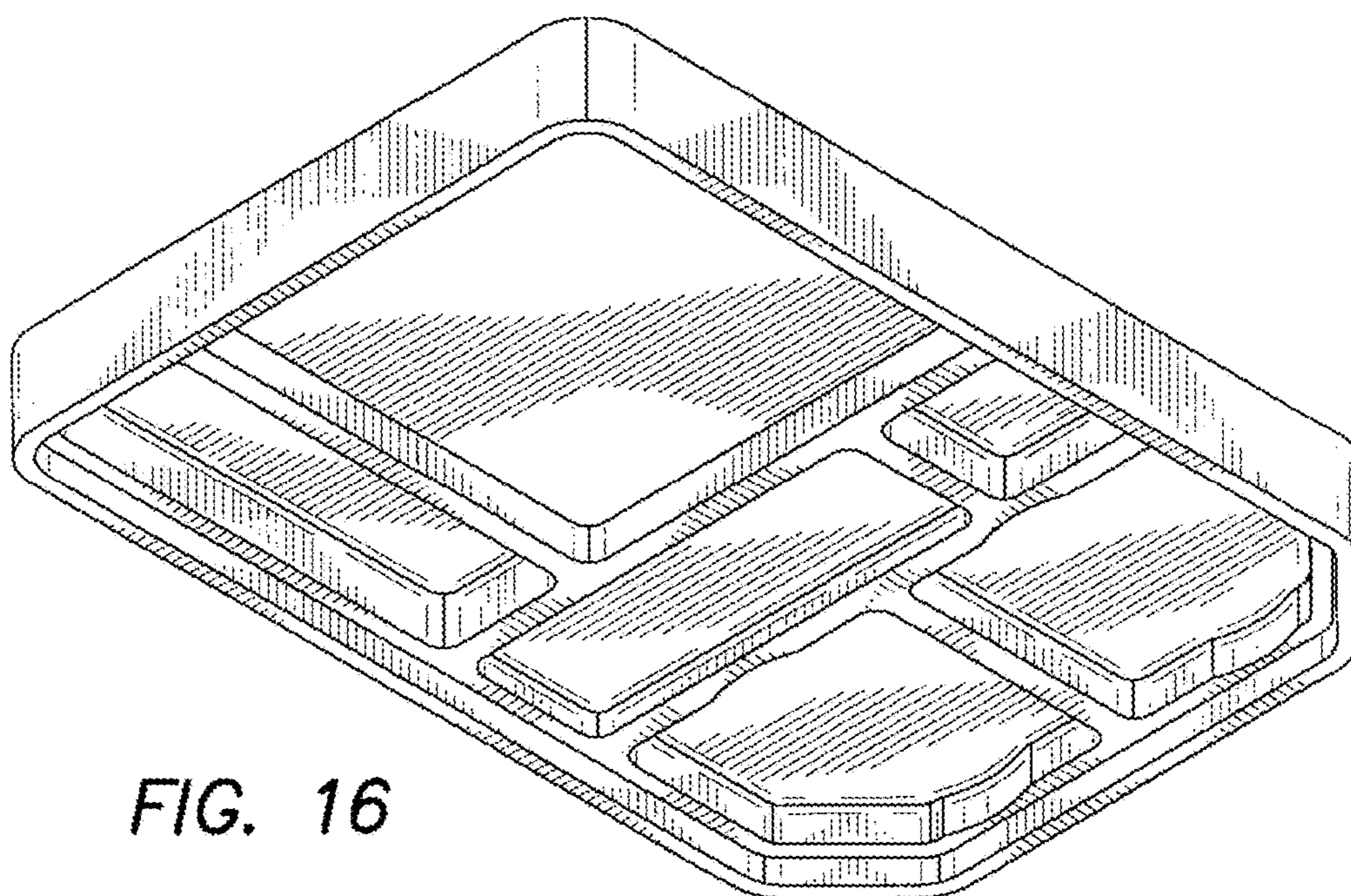


FIG. 16



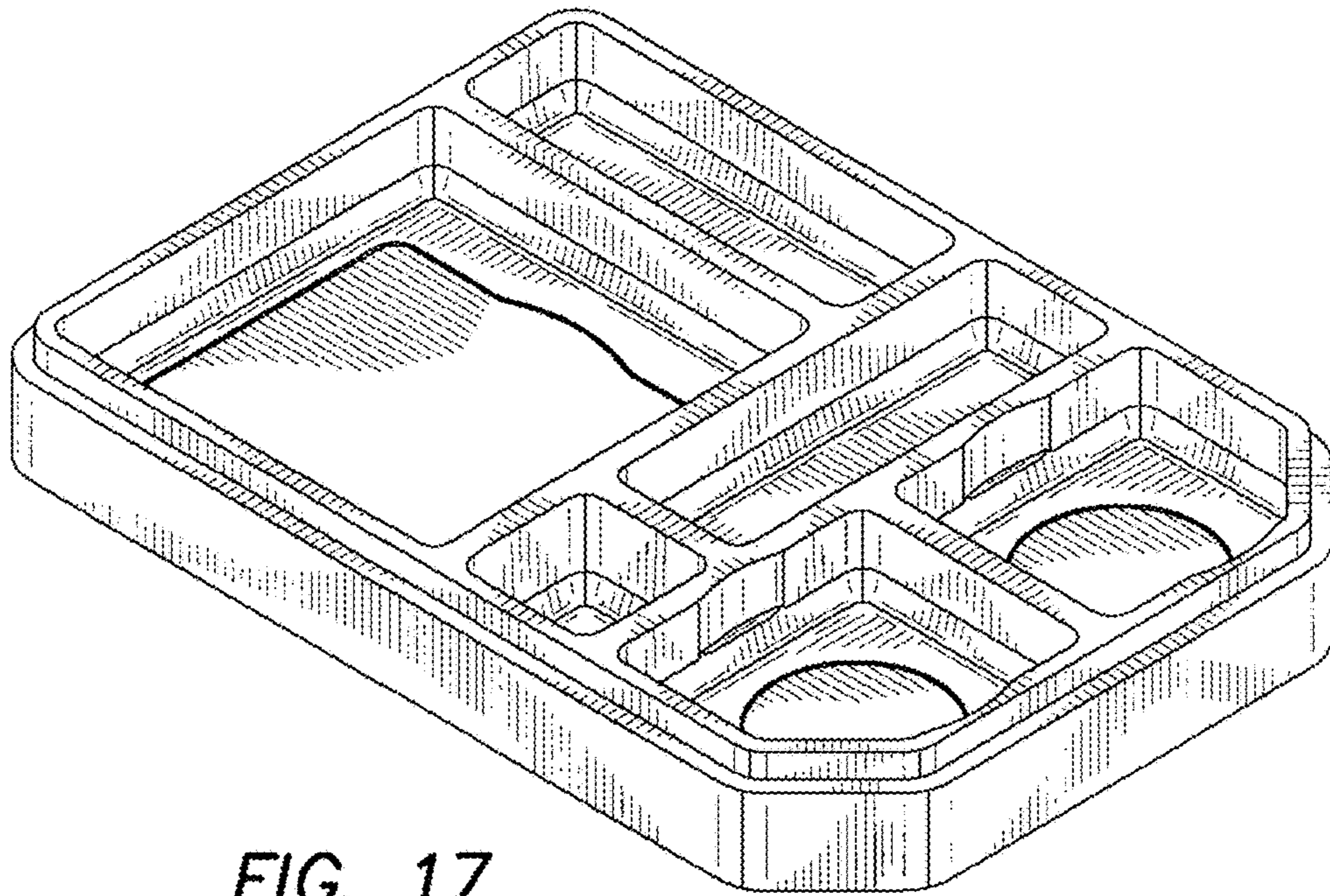


FIG. 17

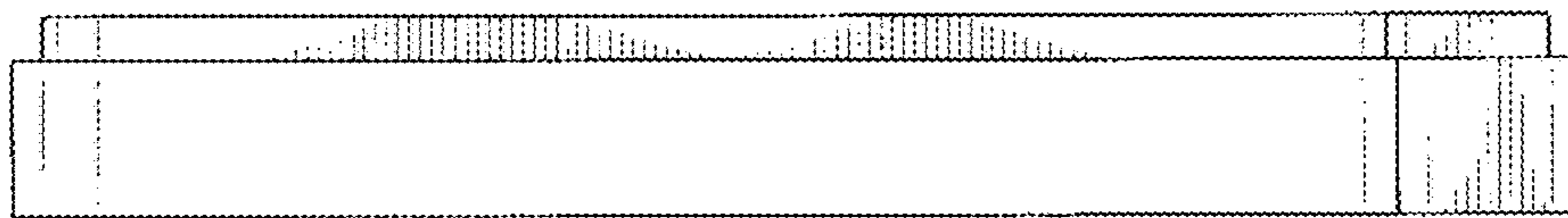


FIG. 18

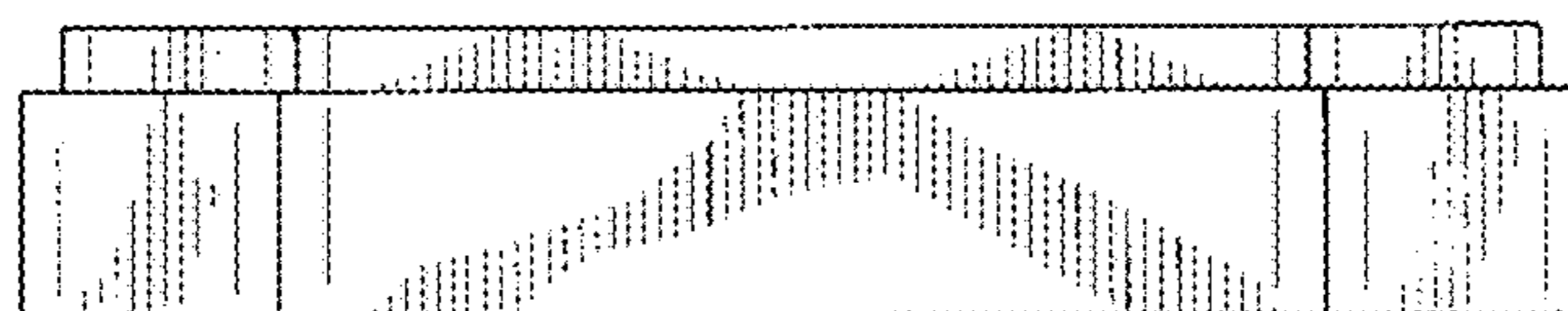


FIG. 19

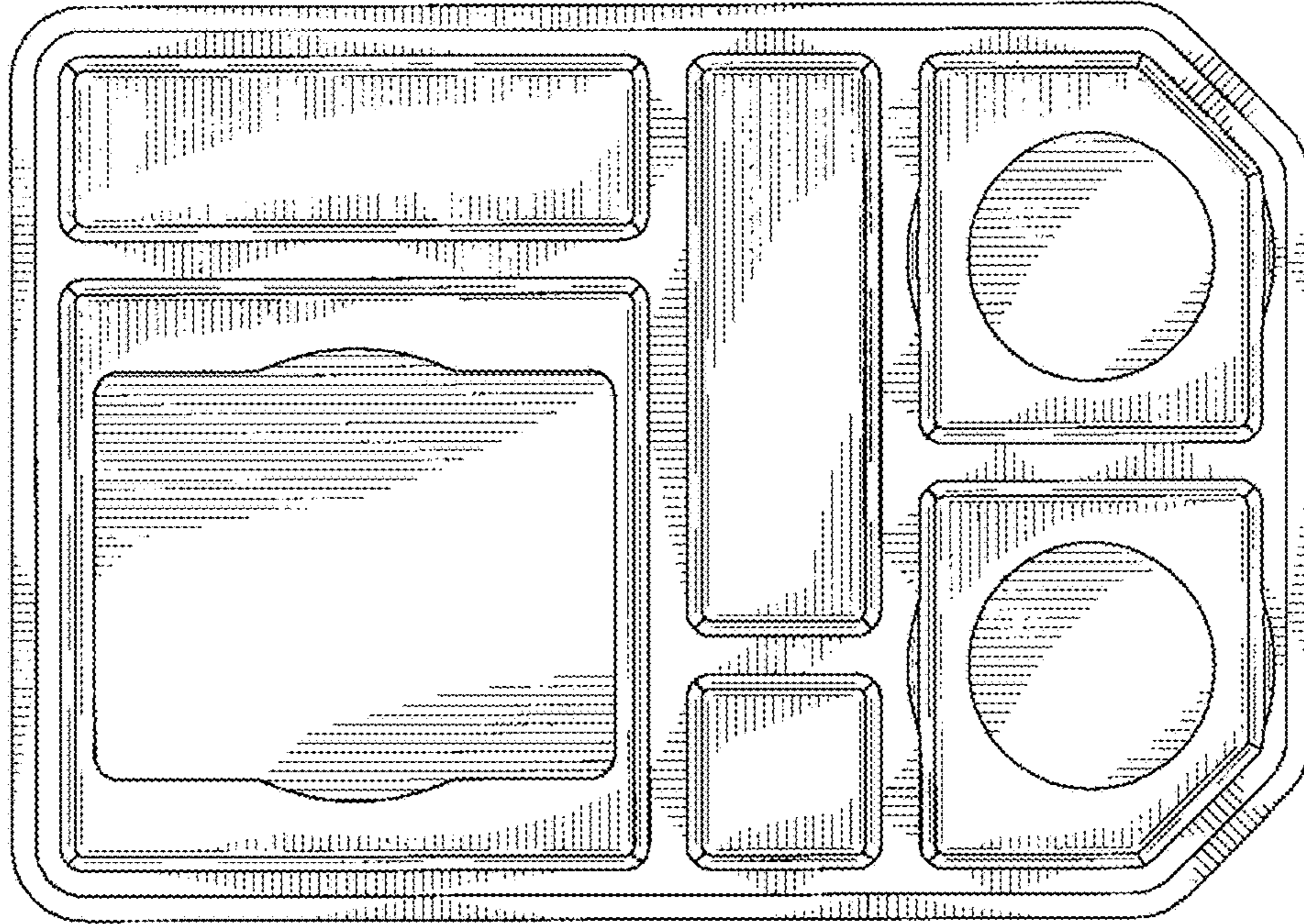


FIG. 20

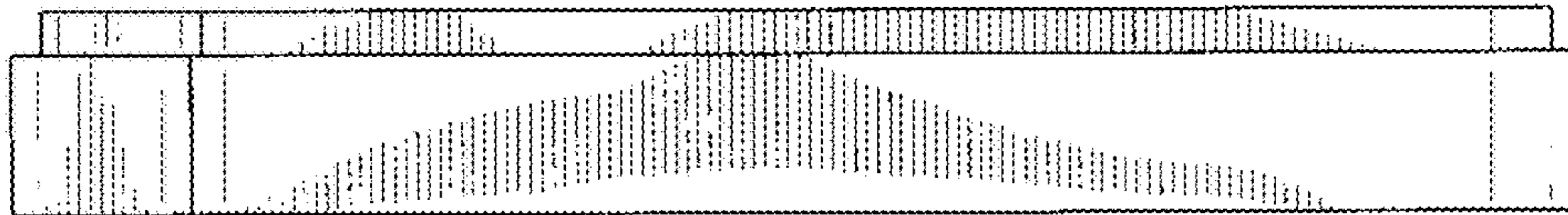


FIG. 21

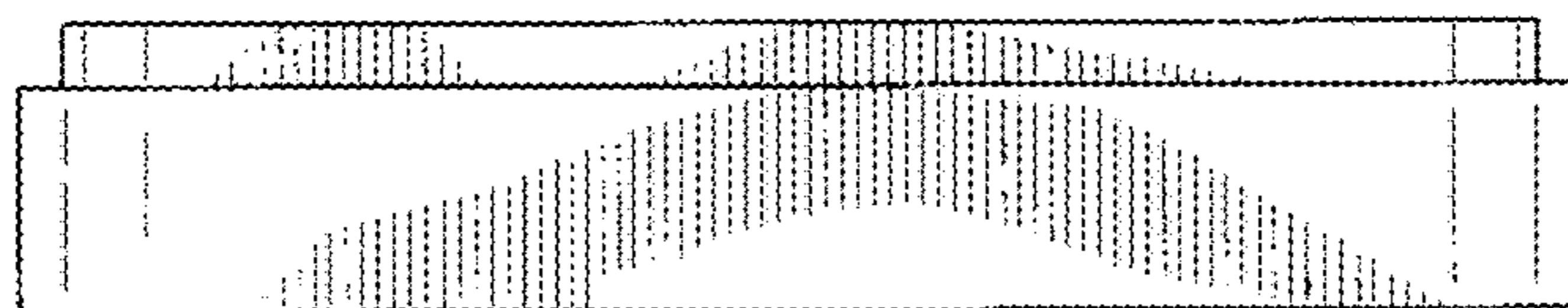
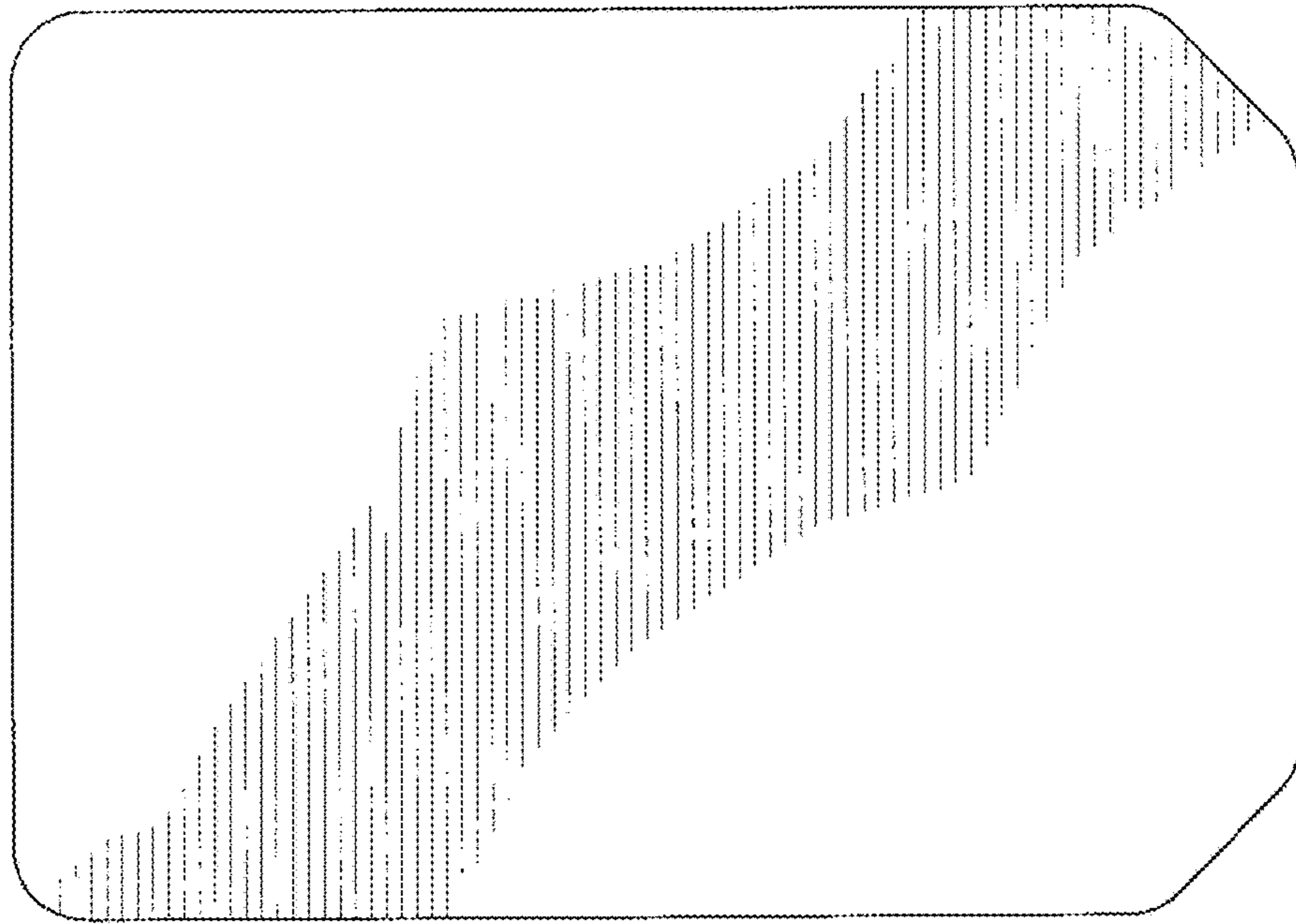
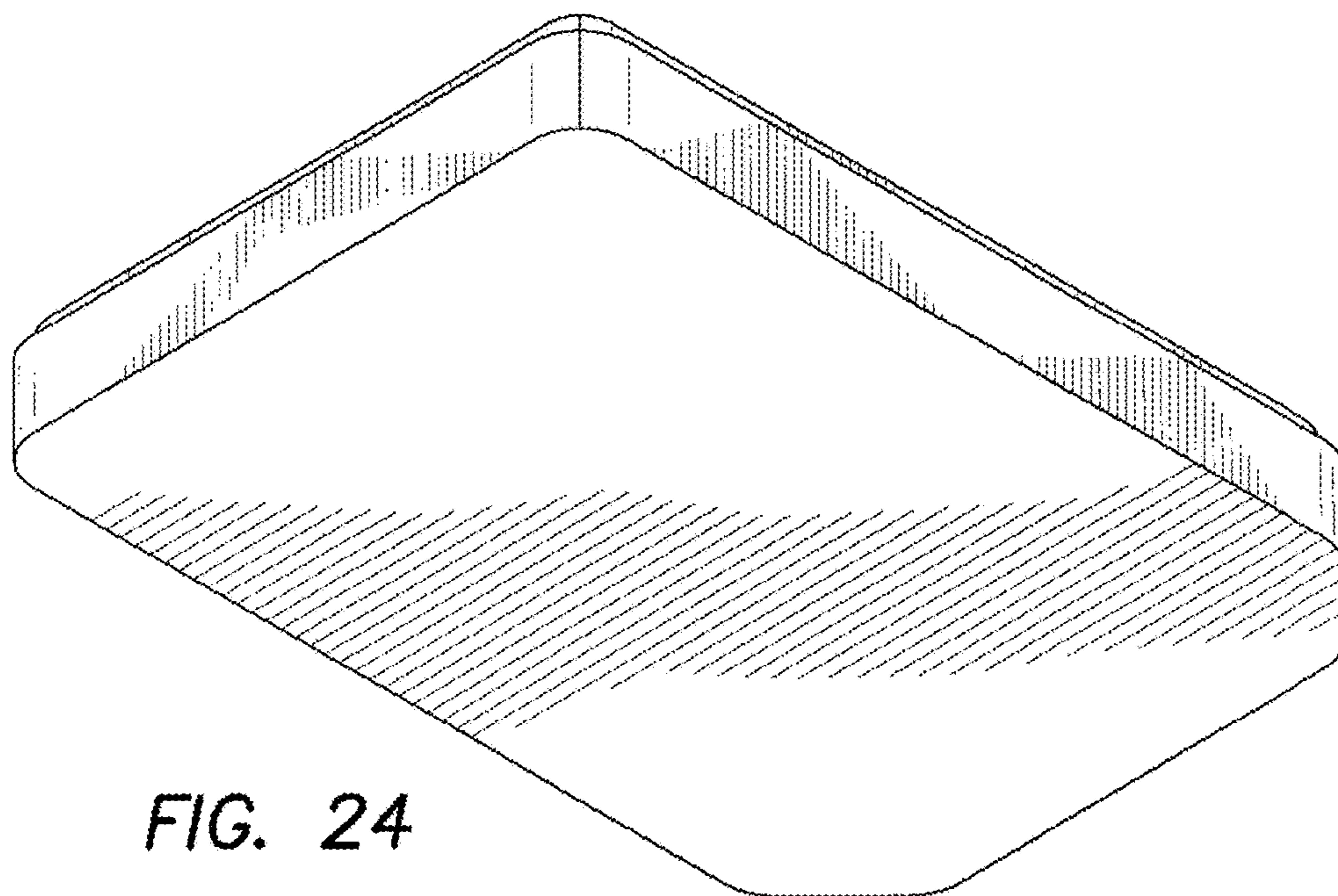


FIG. 22



*FIG. 23*



*FIG. 24*