



US00D814246S

(12) **United States Design Patent**
Brattoli

(10) **Patent No.:** **US D814,246 S**
(45) **Date of Patent:** **** Apr. 3, 2018**

- (54) **INSULATED MEAL CONTAINER**
- (71) Applicant: **CAMBRO MANUFACTURING COMPANY**, Huntington Beach, CA (US)
- (72) Inventor: **Pietro Brattoli**, Neckartenzlingen (DE)
- (73) Assignee: **Cambro Manufacturing Company**, Huntington Beach, CA (US)
- (**) Term: **15 Years**
- (21) Appl. No.: **29/591,060**
- (22) Filed: **Jan. 16, 2017**
- (51) **LOC (11) Cl.** **07-01**
- (52) **U.S. Cl.**
USPC **D7/605; D7/703**
- (58) **Field of Classification Search**
USPC D7/605, 607, 608, 630, 629, 703;
D3/273, 276, 279, 282, 284, 289, 902,
D3/901, 274
CPC B65D 81/3813; B65D 81/3823; B65D
81/3888; B65D 81/3816; A45C 11/20;
F25B 19/00
See application file for complete search history.

- (56) **References Cited**
- U.S. PATENT DOCUMENTS
- 3,016,129 A * 1/1962 King, III A47J 41/0072
206/545
- 3,850,333 A * 11/1974 Reichert A45C 11/20
206/545
- RE30,962 E * 6/1982 Bridges B65D 81/3823
206/217

(Continued)

OTHER PUBLICATIONS

Cambrio, "Tablotherm Meal Delivery System Spec Sheet", Accessed Jan. 17, 2018. (<https://www.cambro.com/Tablotherm/>).*

Primary Examiner — Jennifer Rivard
Assistant Examiner — April Rivas

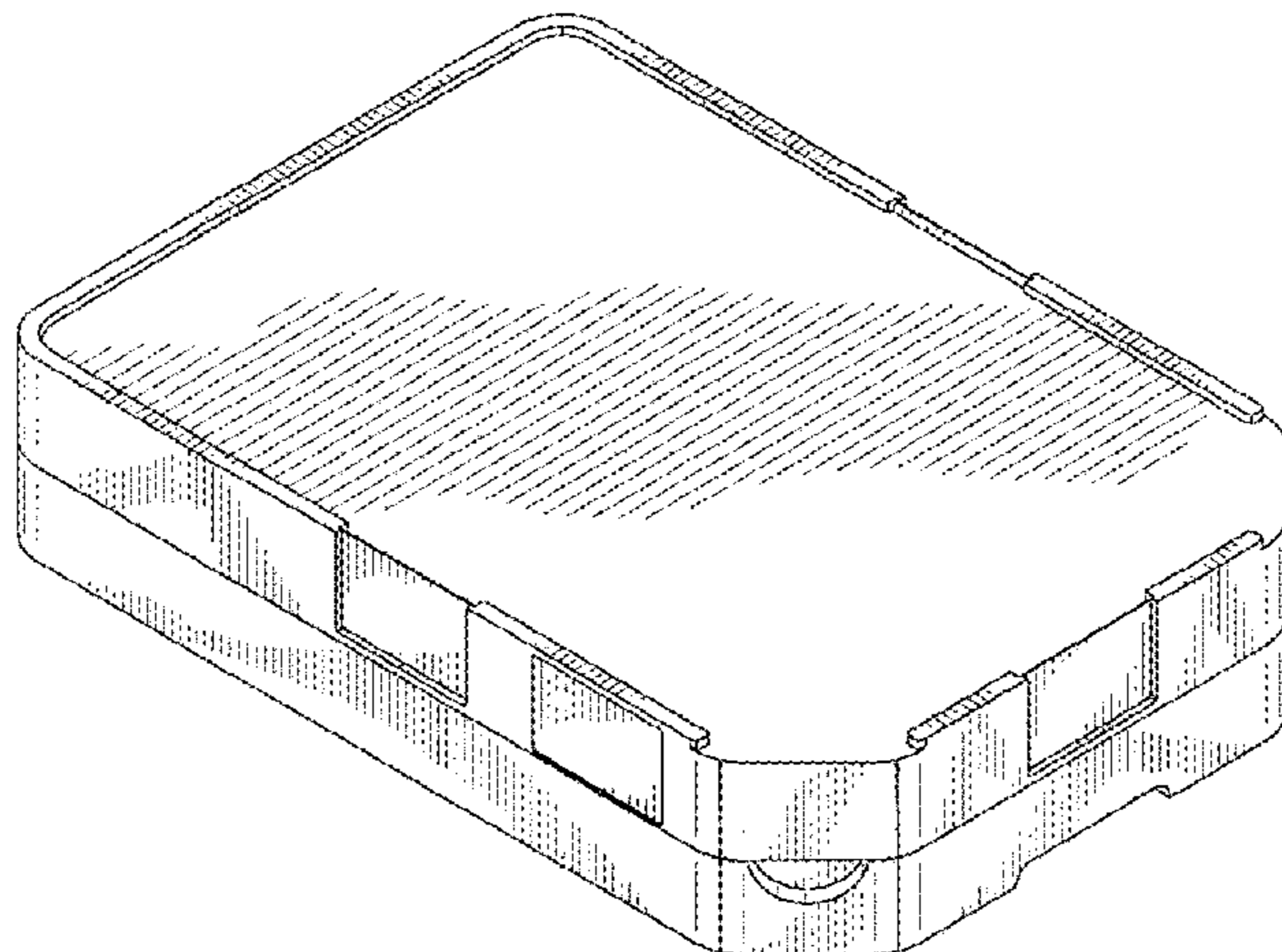
(57) **CLAIM**

I claim the ornamental design for an insulated meal container, as shown and described.

DESCRIPTION

FIG. 1 is a left side perspective view of the insulated meal container in a closed configuration.
 FIG. 2 is a left side elevation view thereof.
 FIG. 3 is a front elevation view thereof.
 FIG. 4 is a top plan view thereof.
 FIG. 5 is a right side elevation view thereof.
 FIG. 6 is a back elevation view thereof.
 FIG. 7 is a bottom plan view thereof.
 FIG. 8 is a bottom, back, and left perspective view thereof.
 FIG. 9 is a left side perspective view thereof, showing only the top half of the container.
 FIG. 10 is a left side elevation view thereof.
 FIG. 11 is a front elevation view thereof.
 FIG. 12 is a top plan view thereof.
 FIG. 13 is a right side elevation view thereof.
 FIG. 14 is a back elevation view thereof.
 FIG. 15 is a bottom plan view thereof.
 FIG. 16 is a bottom and left side perspective view thereof.
 FIG. 17 is a left side perspective view thereof, showing only the bottom half of the container.
 FIG. 18 is a left side elevation view thereof.
 FIG. 19 is a front elevation view of the thereof.
 FIG. 20 is a top plan view thereof.
 FIG. 21 is a right side elevation view thereof.
 FIG. 22 is a back elevation view thereof.
 FIG. 23 is a bottom plan view thereof; and,
 FIG. 24 is a bottom perspective view thereof.
 The top and bottom halves of the container are shown independently in FIGS. 9-16 and FIGS. 17-24 for convenience of illustration only.

1 Claim, 9 Drawing Sheets



(56)

References Cited

U.S. PATENT DOCUMENTS

D280,059	S *	8/1985	Otto	D7/538
D305,085	S *	12/1989	Otto	D7/505
D305,490	S *	1/1990	Conley	D7/605
D363,648	S *	10/1995	O'Brien	D7/605
D371,056	S *	6/1996	Sullivan	D7/605
5,671,846	A *	9/1997	Frank	A45C 11/20
				190/111
D510,684	S *	10/2005	Crosby	D3/313
D516,870	S *	3/2006	Martinez	D3/289
9,414,701	B1 *	8/2016	Yen	A45C 13/02
2006/0201950	A1 *	9/2006	Liu	B65D 1/24
				220/526
2007/0284358	A1 *	12/2007	Claffy	A47G 23/06
				219/386
2010/0308039	A1 *	12/2010	Miros	A45C 11/20
				220/4.22
2011/0114526	A1 *	5/2011	Neumann	A45C 11/20
				206/459.5
2011/0240653	A1 *	10/2011	Castner	A45C 11/20
				220/526
2016/0278494	A1 *	9/2016	Churro Monteiro ..	A45C 13/10
2016/0355319	A1 *	12/2016	Stephens	A45C 11/20
2017/0245610	A1 *	8/2017	French	A45C 11/20

* cited by examiner

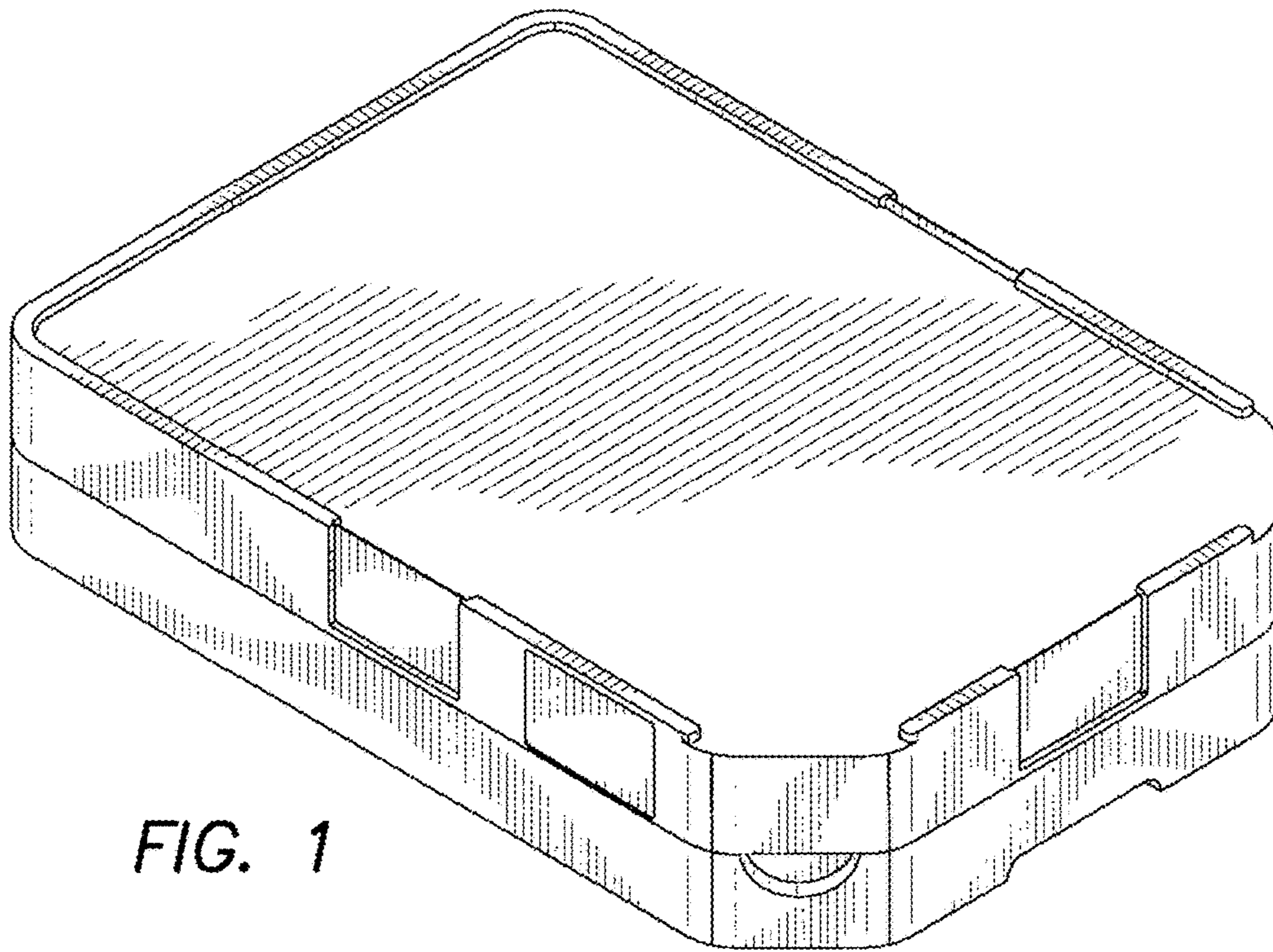


FIG. 1

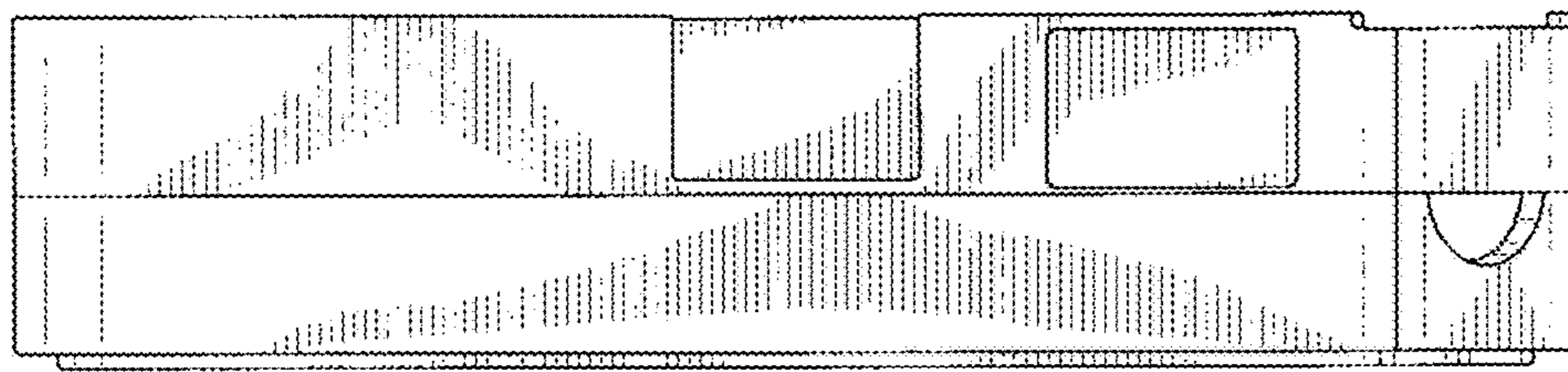


FIG. 2

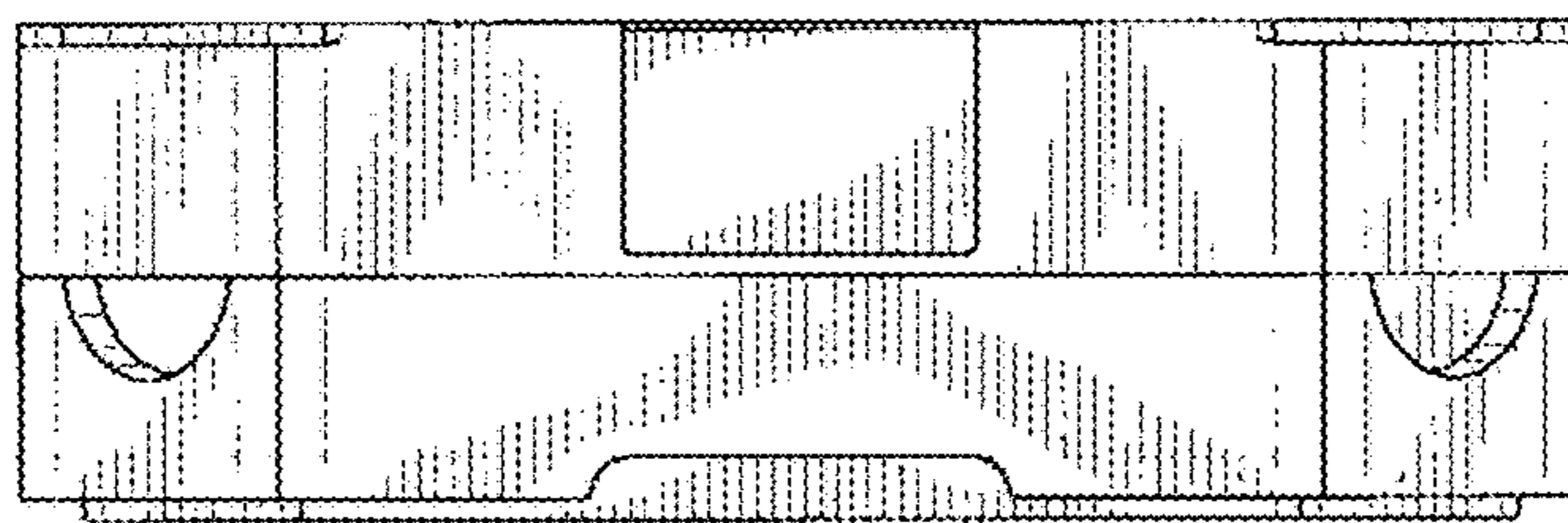


FIG. 3

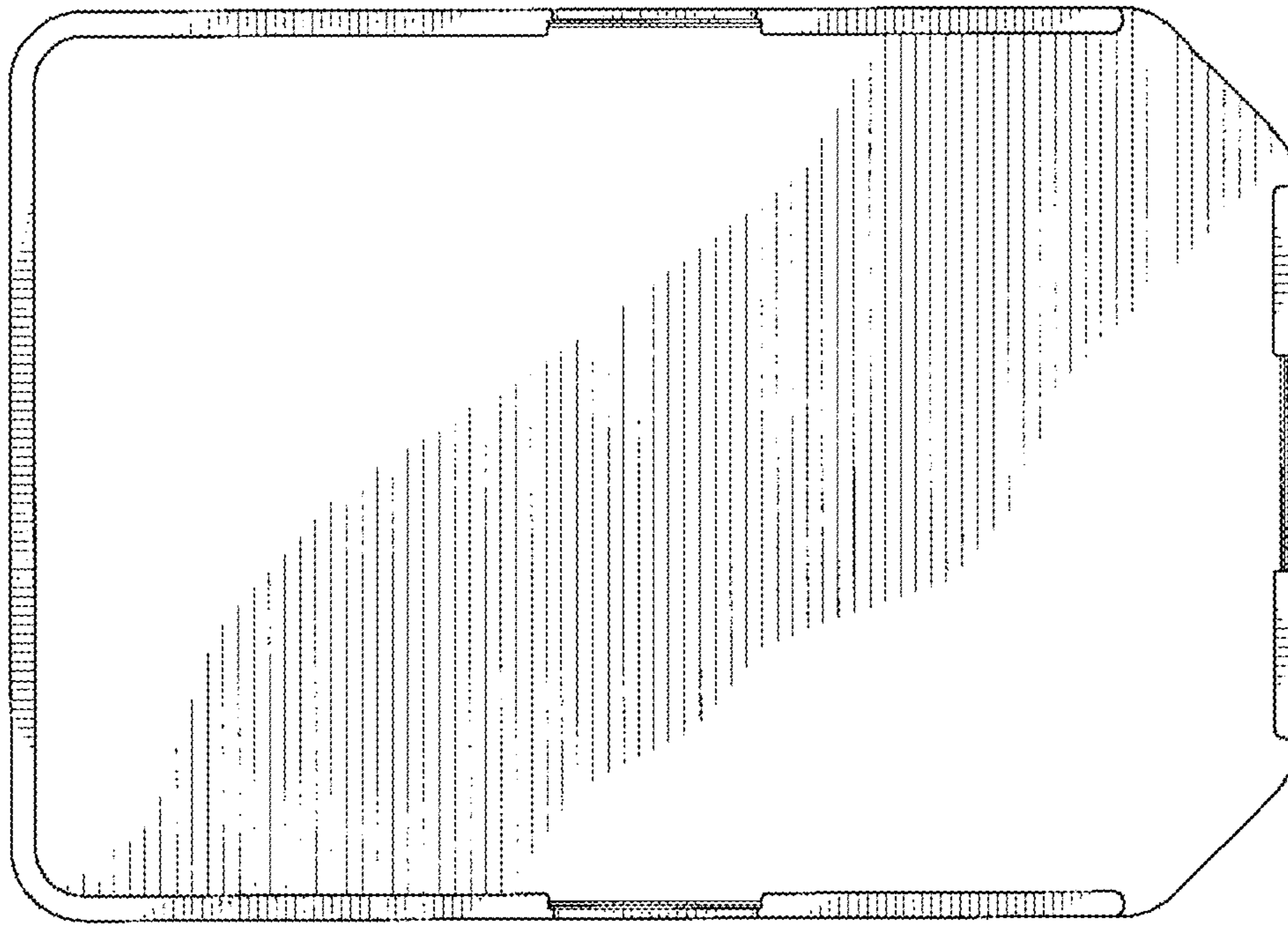


FIG. 4

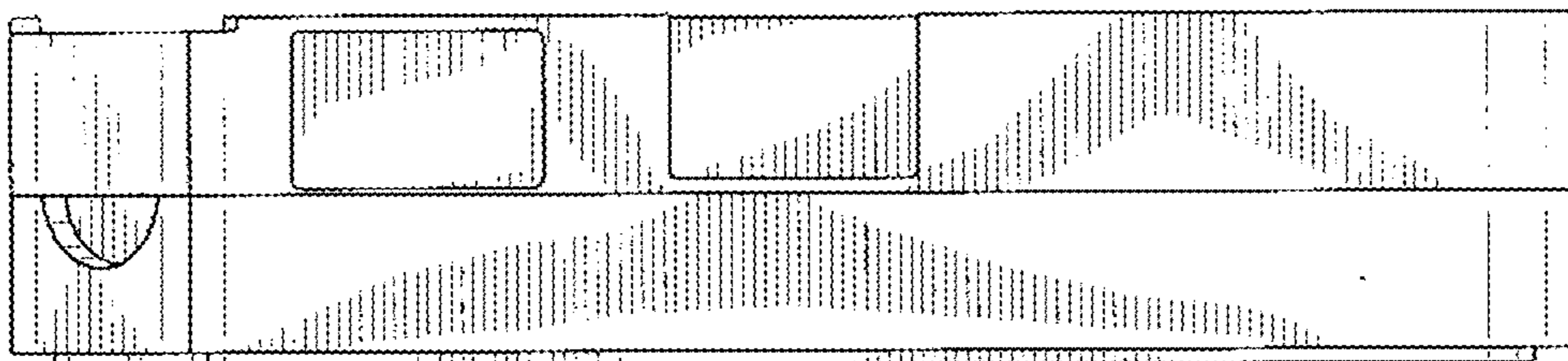


FIG. 5

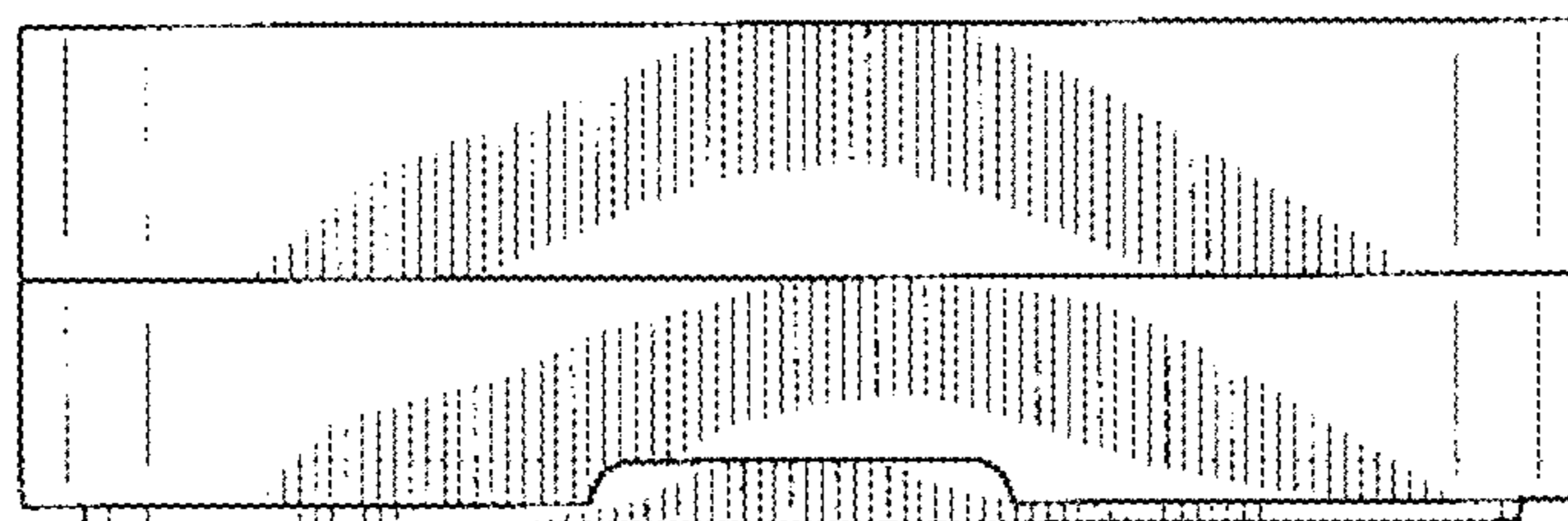


FIG. 6

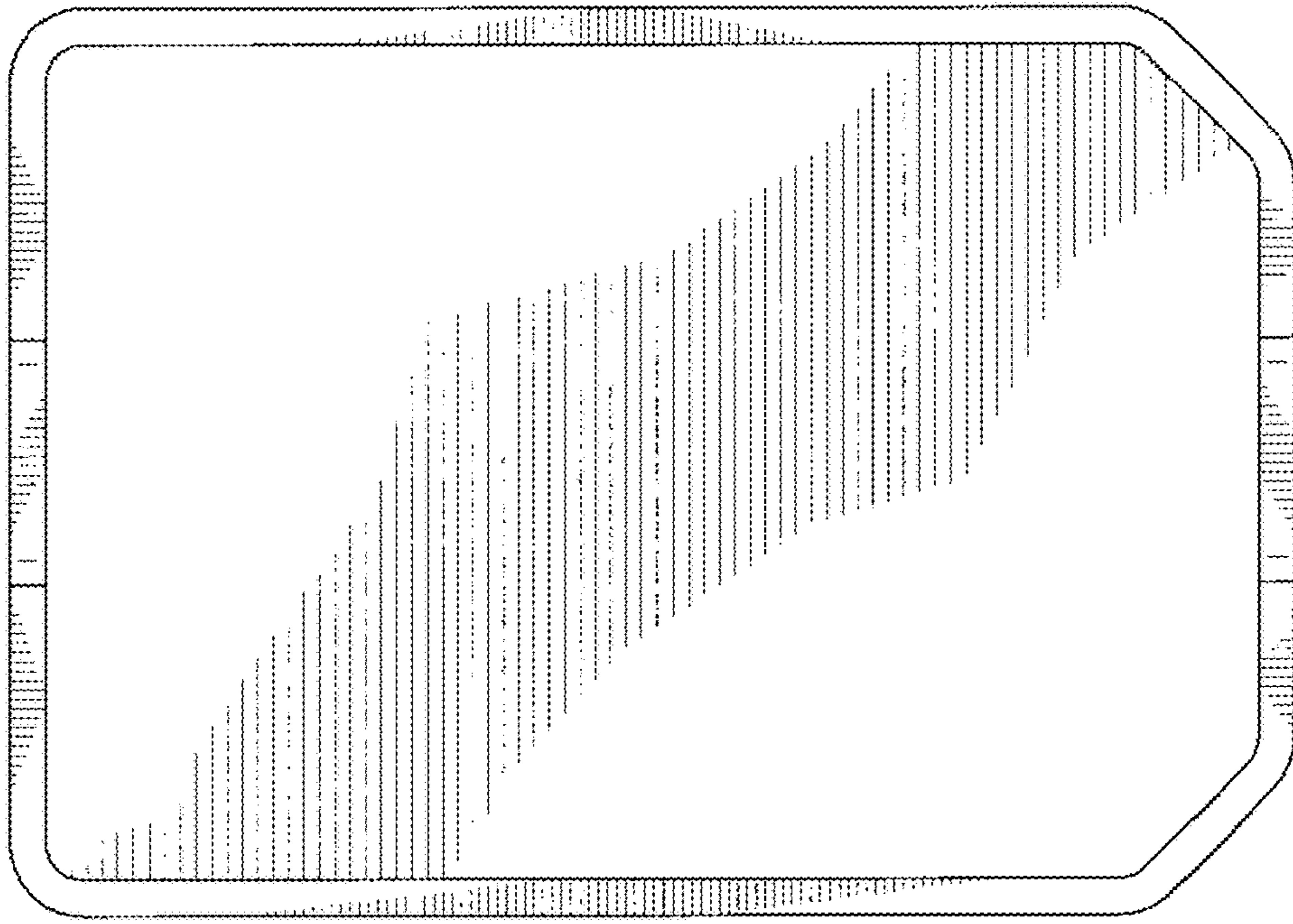


FIG. 7

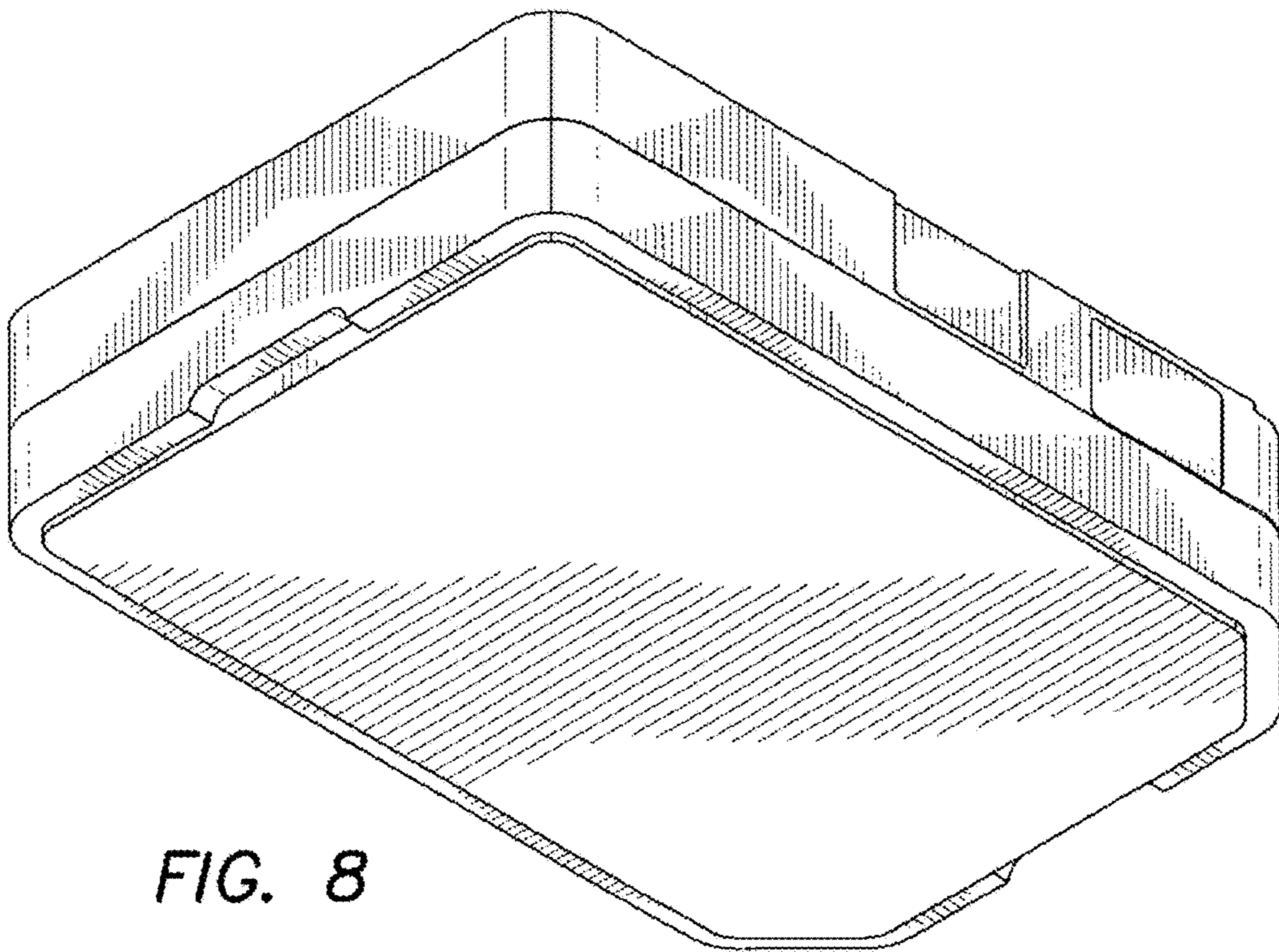
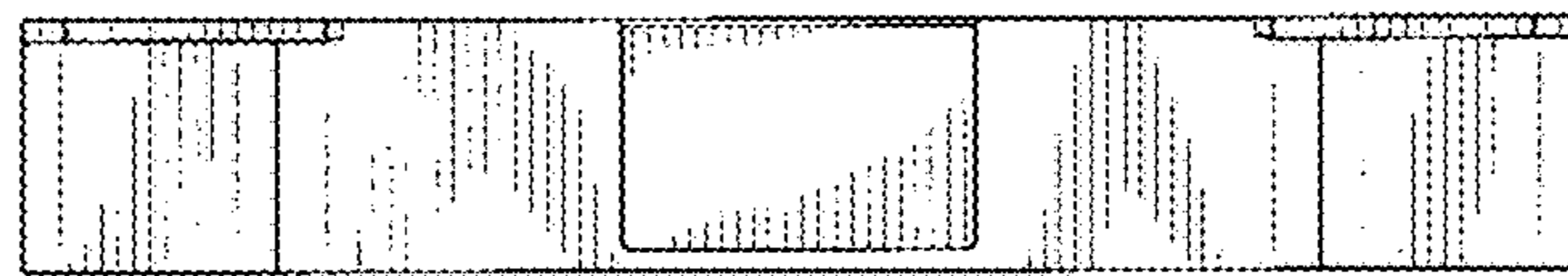
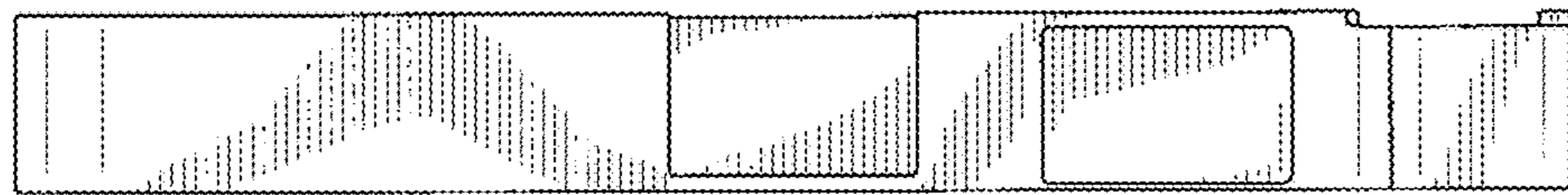
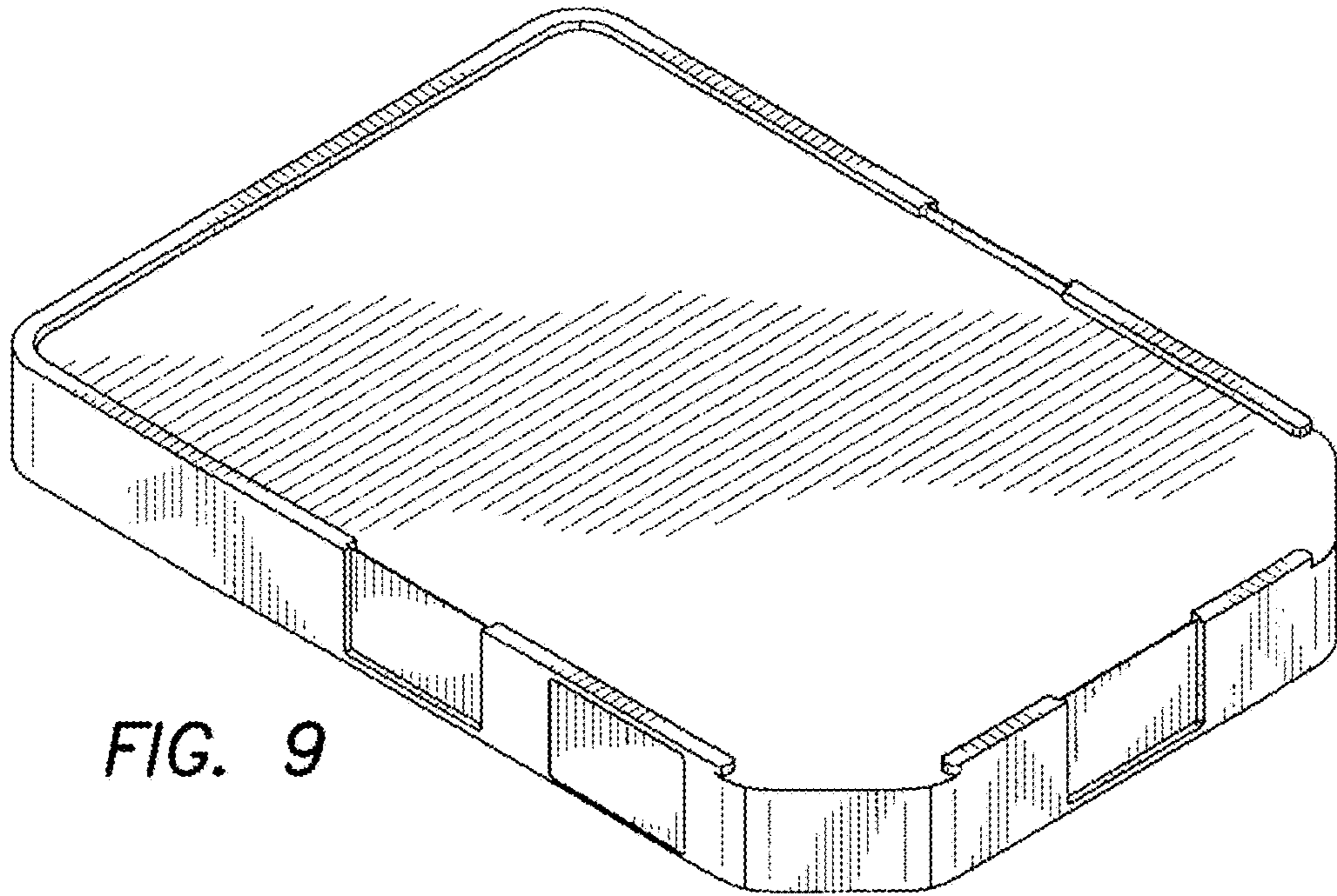


FIG. 8



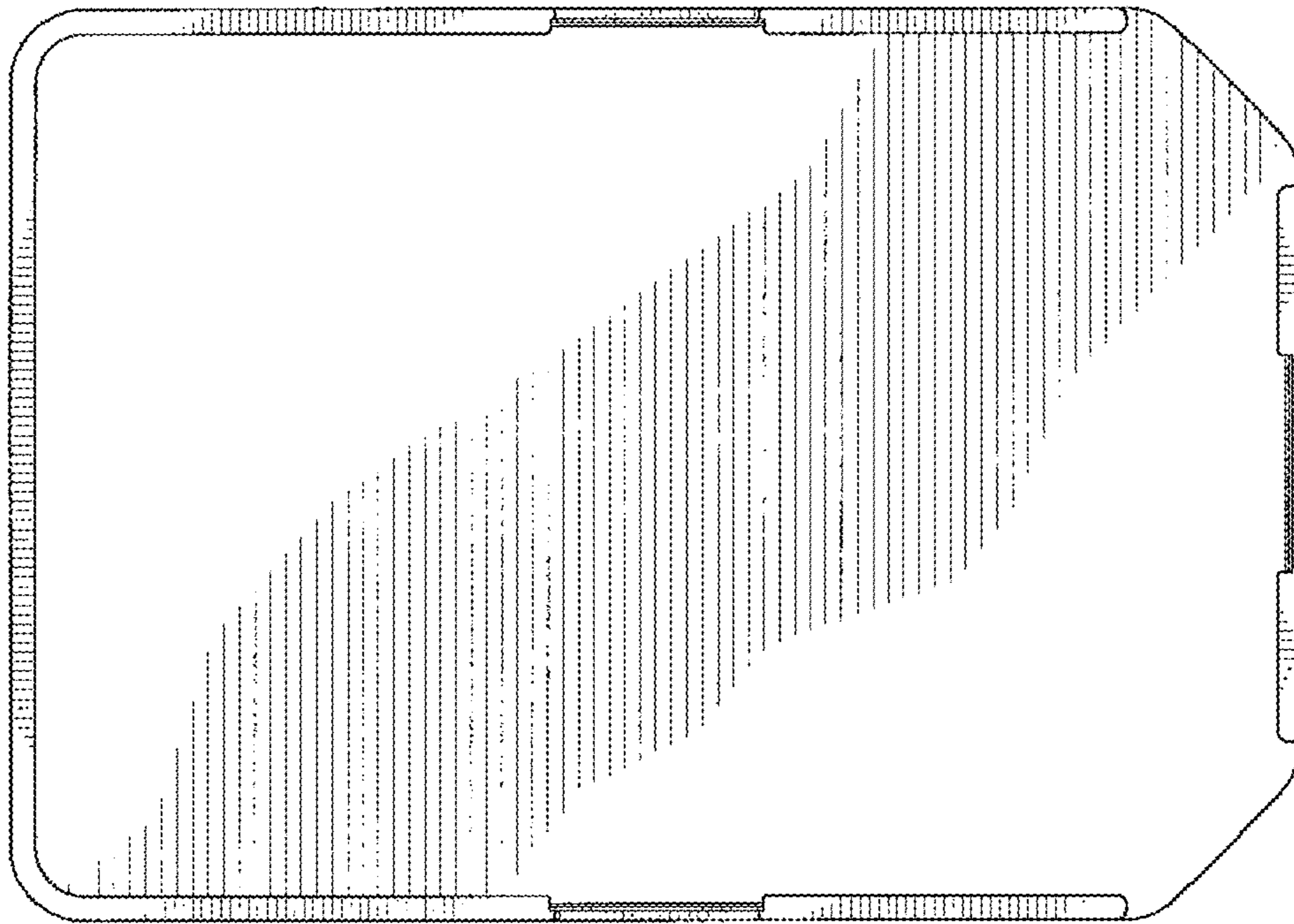


FIG. 12

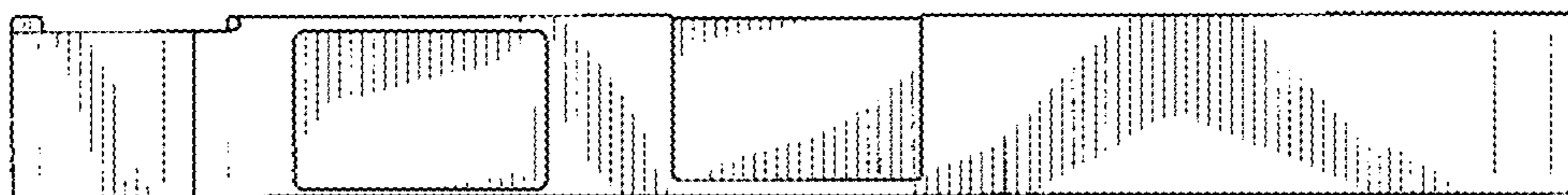


FIG. 13

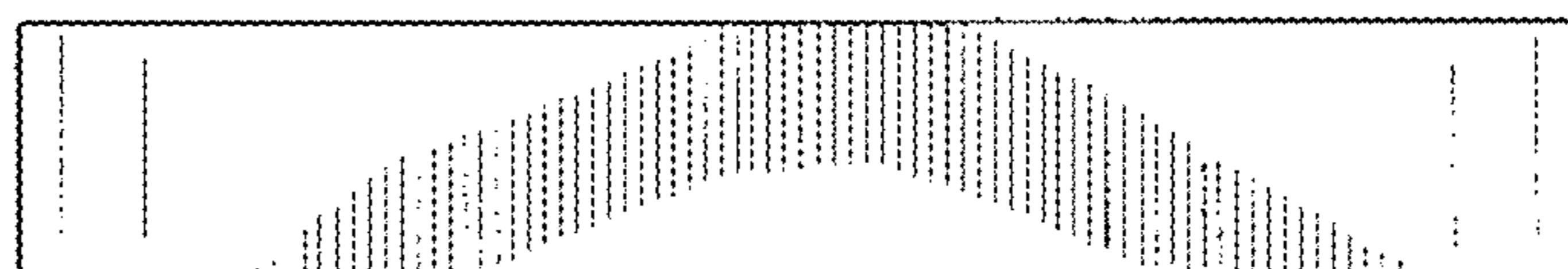


FIG. 14

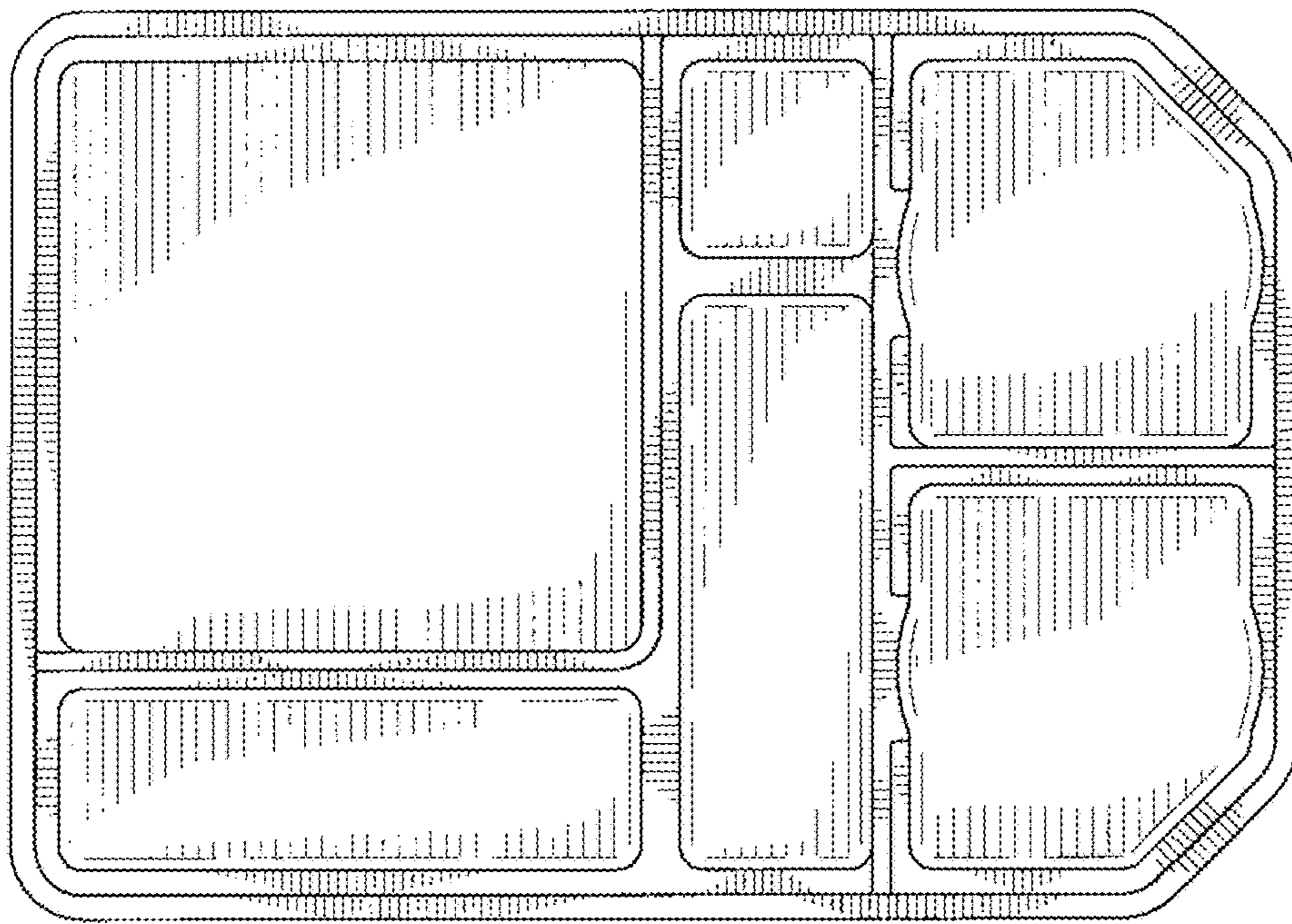


FIG. 15

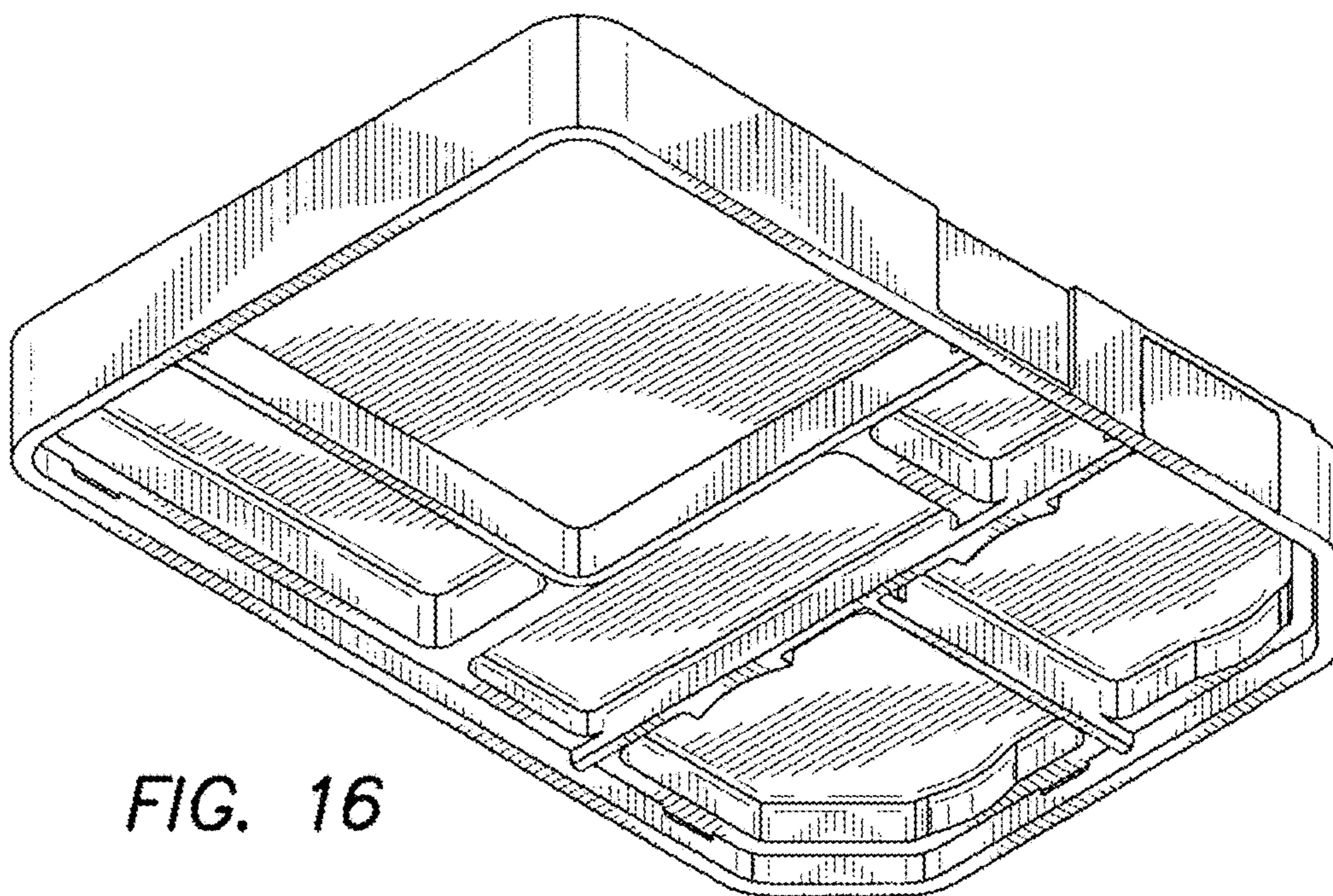


FIG. 16

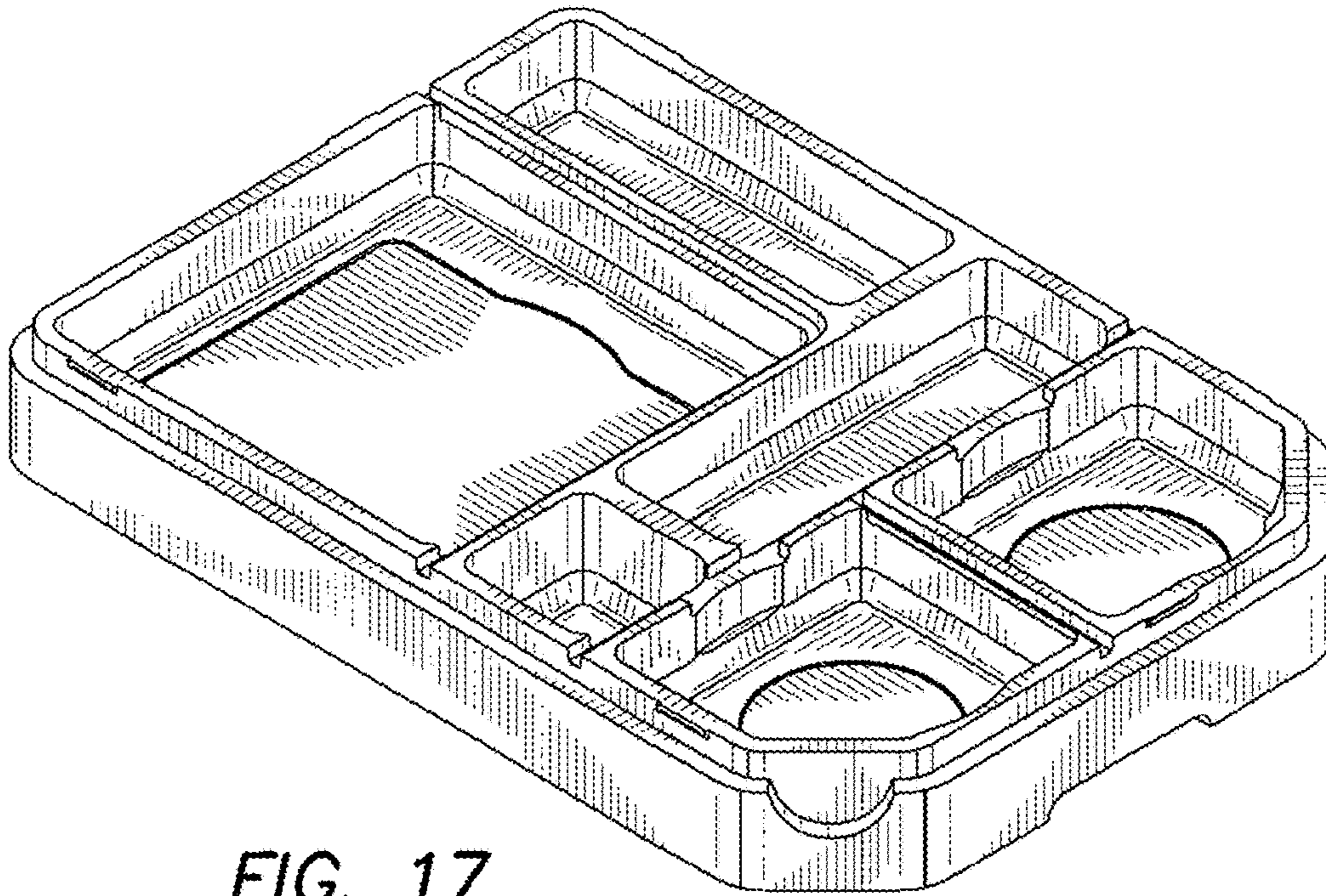


FIG. 17

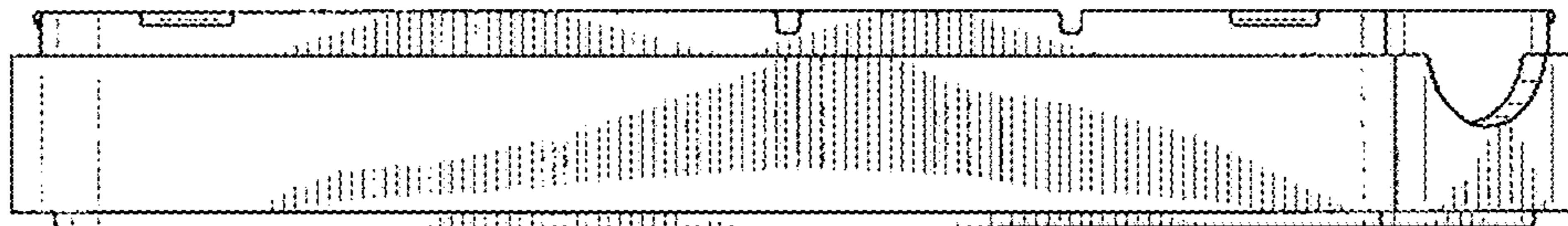


FIG. 18

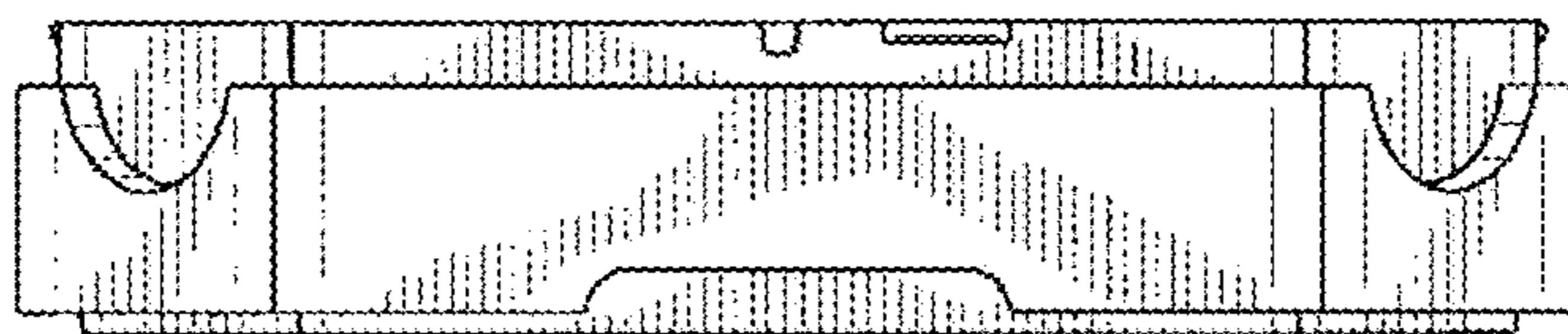


FIG. 19

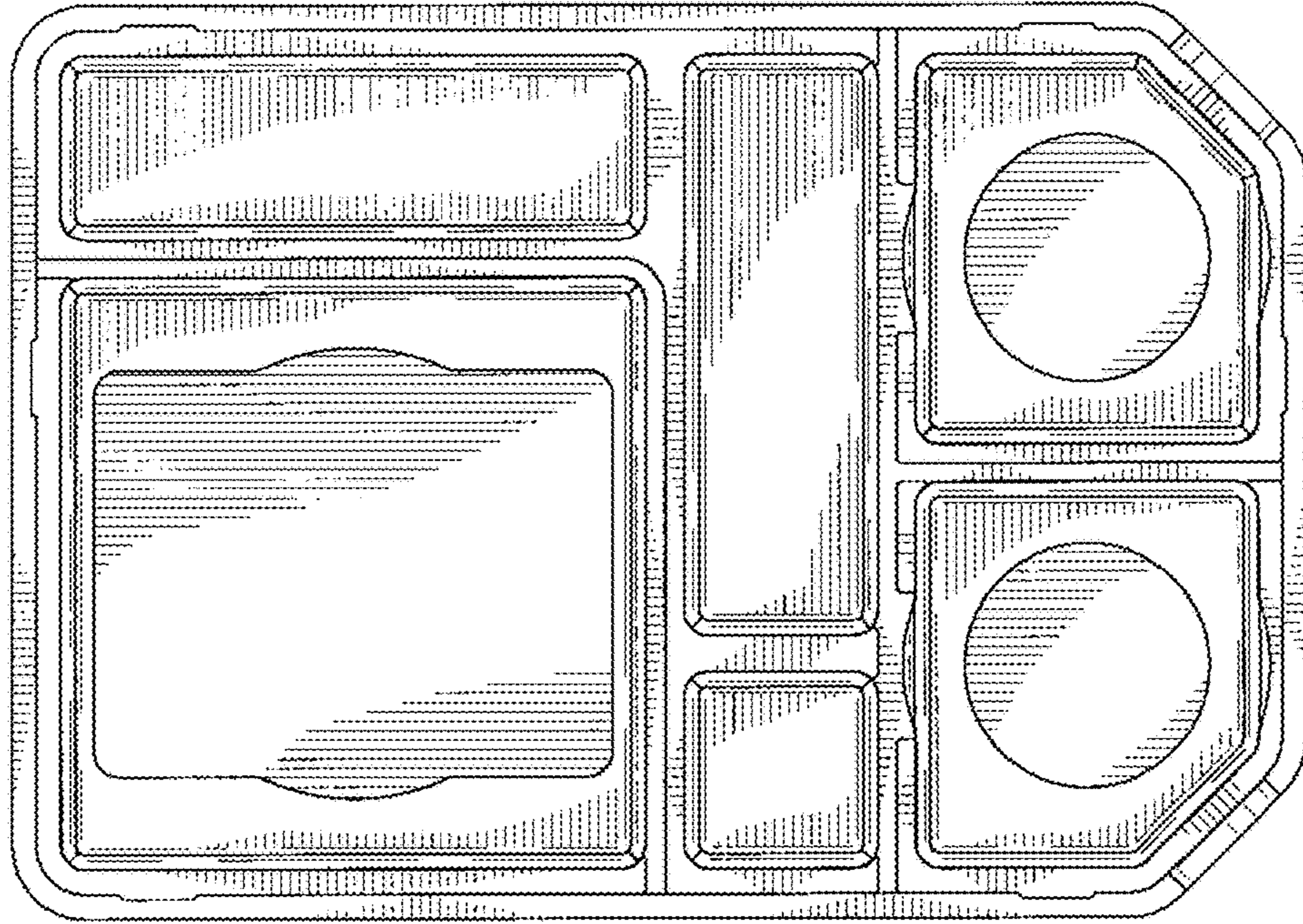


FIG. 20

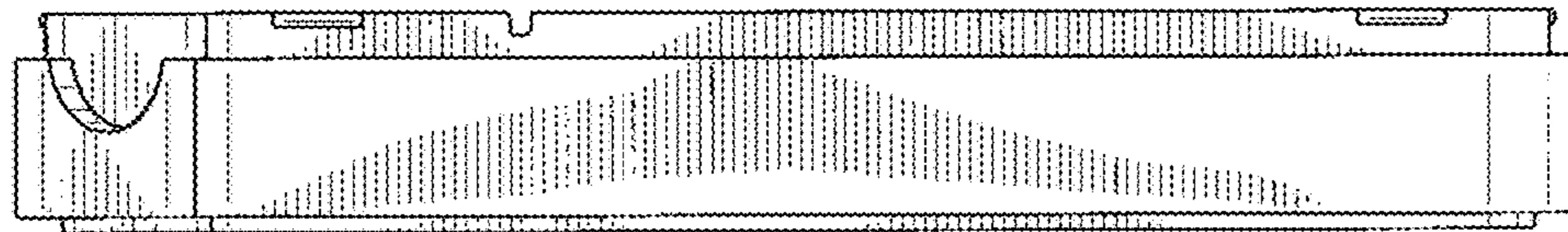


FIG. 21

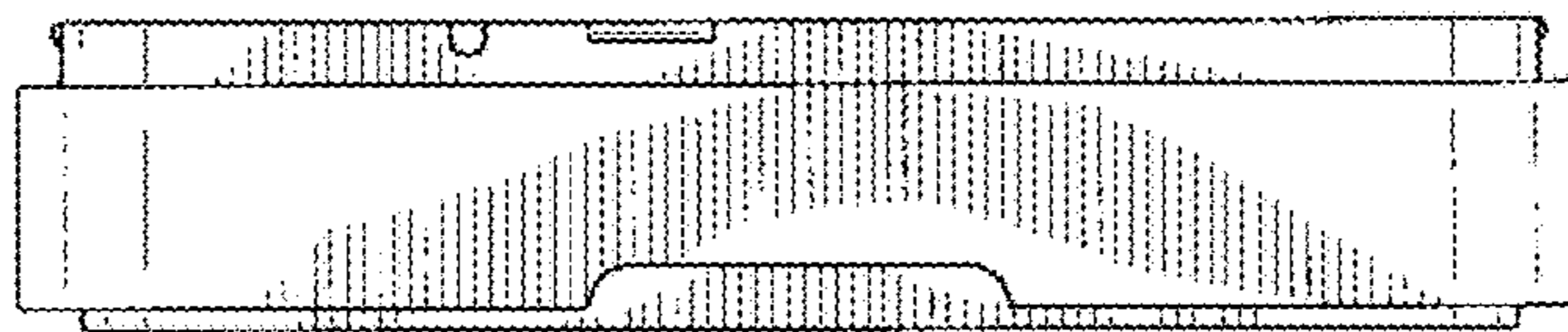


FIG. 22

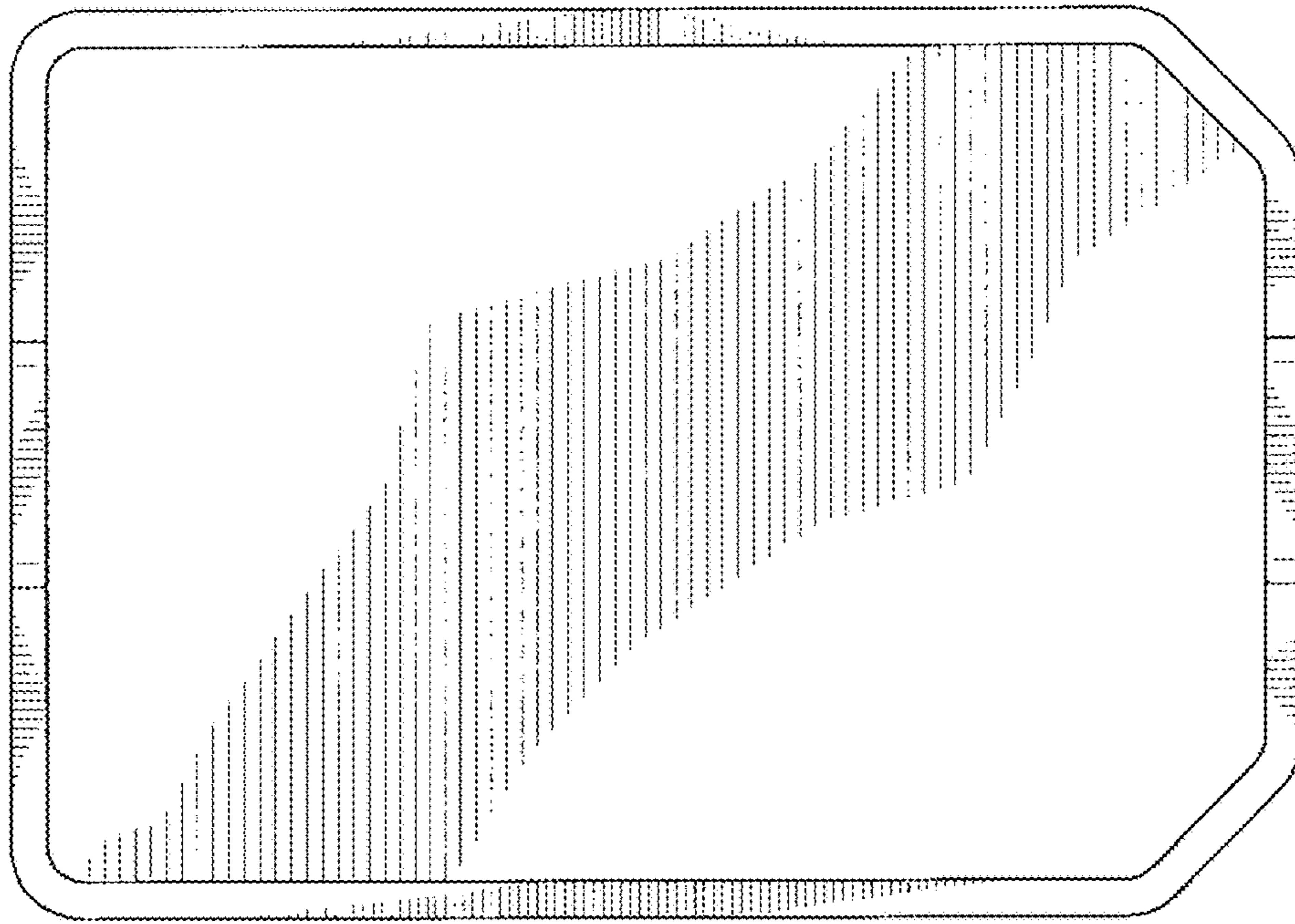


FIG. 23

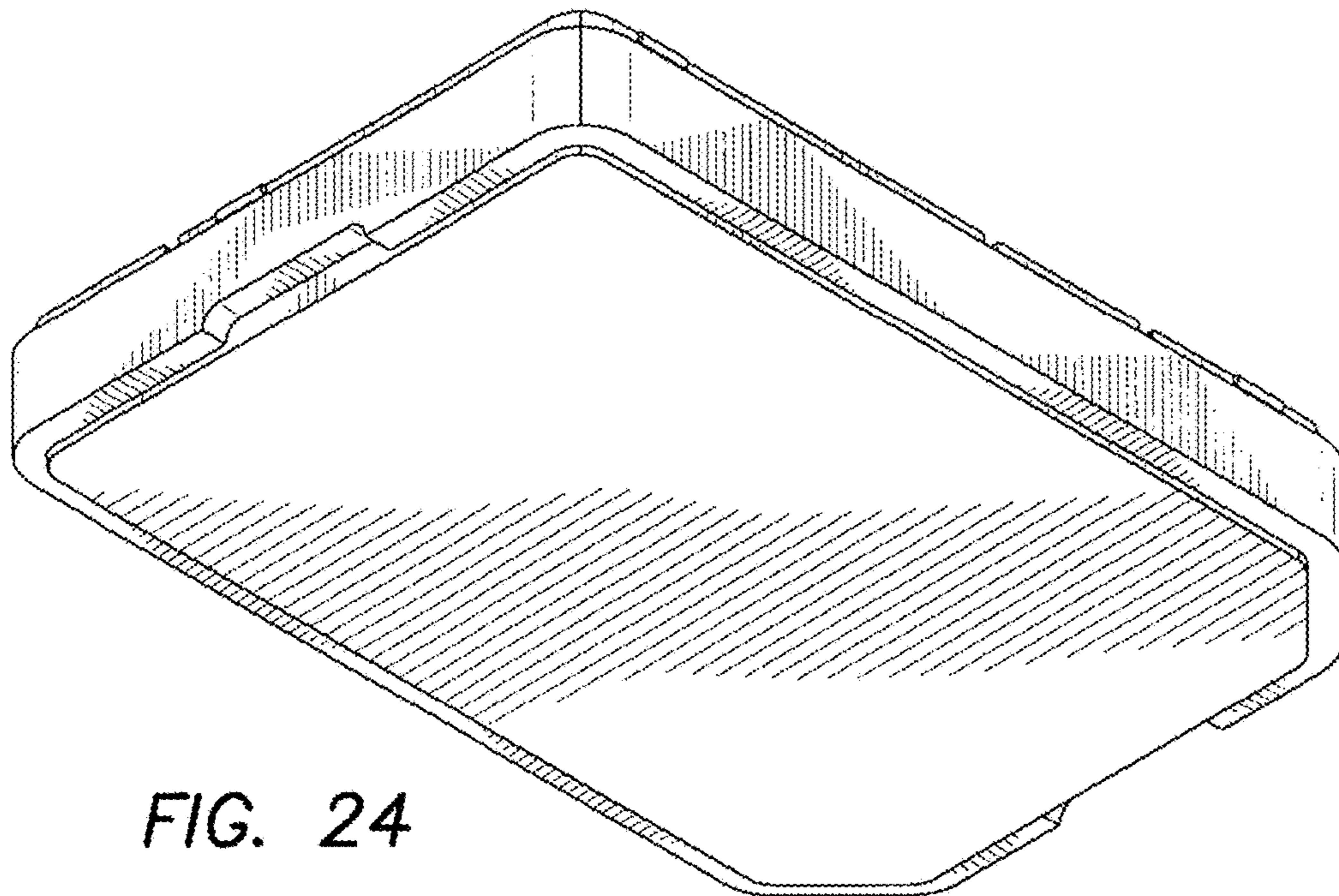


FIG. 24