



US00D814239S

(12) **United States Design Patent**
Arora

(10) **Patent No.:** **US D814,239 S**
(45) **Date of Patent:** **** Apr. 3, 2018**

- (54) **CUP**
- (71) Applicant: **JUST FUNKY LLC**, Wooster, OH (US)
- (72) Inventor: **Rajnish Arora**, Wooster, OH (US)
- (73) Assignee: **JUST FUNKY LLC**, Wooster, OH (US)
- (**) Term: **15 Years**
- (21) Appl. No.: **29/543,390**
- (22) Filed: **Oct. 23, 2015**
- (51) **LOC (11) Cl.** **07-01**
- (52) **U.S. Cl.**
USPC **D7/510; D7/514; D7/523; D7/300.2**
- (58) **Field of Classification Search**
USPC D7/507, 509, 510, 511, 523, 529, 530, D7/531, 532, 533, 536, 392.1, 396.2, 394, D7/396.4, 300, 1, 642, 688, 697, 690, D7/300.2, 514; 220/592.16, 592.17, 220/710.5, 495.03; D9/565, 552, 455, D9/454
CPC B65D 47/066; A47J 43/27; A47G 19/22; A47G 19/2222; A47G 19/2227; A45F 3/20
See application file for complete search history.

(56) **References Cited**

U.S. PATENT DOCUMENTS

65,548 A	6/1867	Curry	
723,796 A	3/1903	Williams	
1,879,820 A	9/1932	Perry	
2,062,897 A	12/1936	Michel	
2,622,415 A	12/1952	Smith	
D170,390 S *	9/1953	Smith D7/530
2,779,472 A	1/1957	Febbraro	
2,945,361 A	7/1960	Miller	
3,266,718 A	8/1966	Stahl	

4,125,218 A	11/1978	DeBoer	
4,577,775 A	3/1986	Kresin	
4,869,912 A	9/1989	McCoy et al.	
5,001,907 A *	3/1991	LaCroix A47G 19/2227 62/438
D316,671 S	5/1991	Rohmeder	
D322,753 S	12/1991	Sussman	
D335,428 S	5/1993	Picozza et al.	
5,361,935 A	11/1994	Sagucio	
D421,139 S	2/2000	Garcia-Maldonado	
6,105,814 A	8/2000	Chen	
D480,271 S	10/2003	Lin	
D506,910 S	7/2005	Tham-itthisak	
D530,569 S	10/2006	Hsu	
D548,534 S	8/2007	Sullivan	
D550,083 S	9/2007	Etheridge	
D554,763 S	11/2007	Gerretz	
D554,764 S	11/2007	Gerretz et al.	

(Continued)

OTHER PUBLICATIONS

Office Action for Design U.S. Appl. No. 29/565,772 dated Feb. 13, 2017, 11 pages.

(Continued)

Primary Examiner — Marianne Pandozzi
Assistant Examiner — Jae Liang
(74) *Attorney, Agent, or Firm* — Amin, Turocy & Watson, LLP

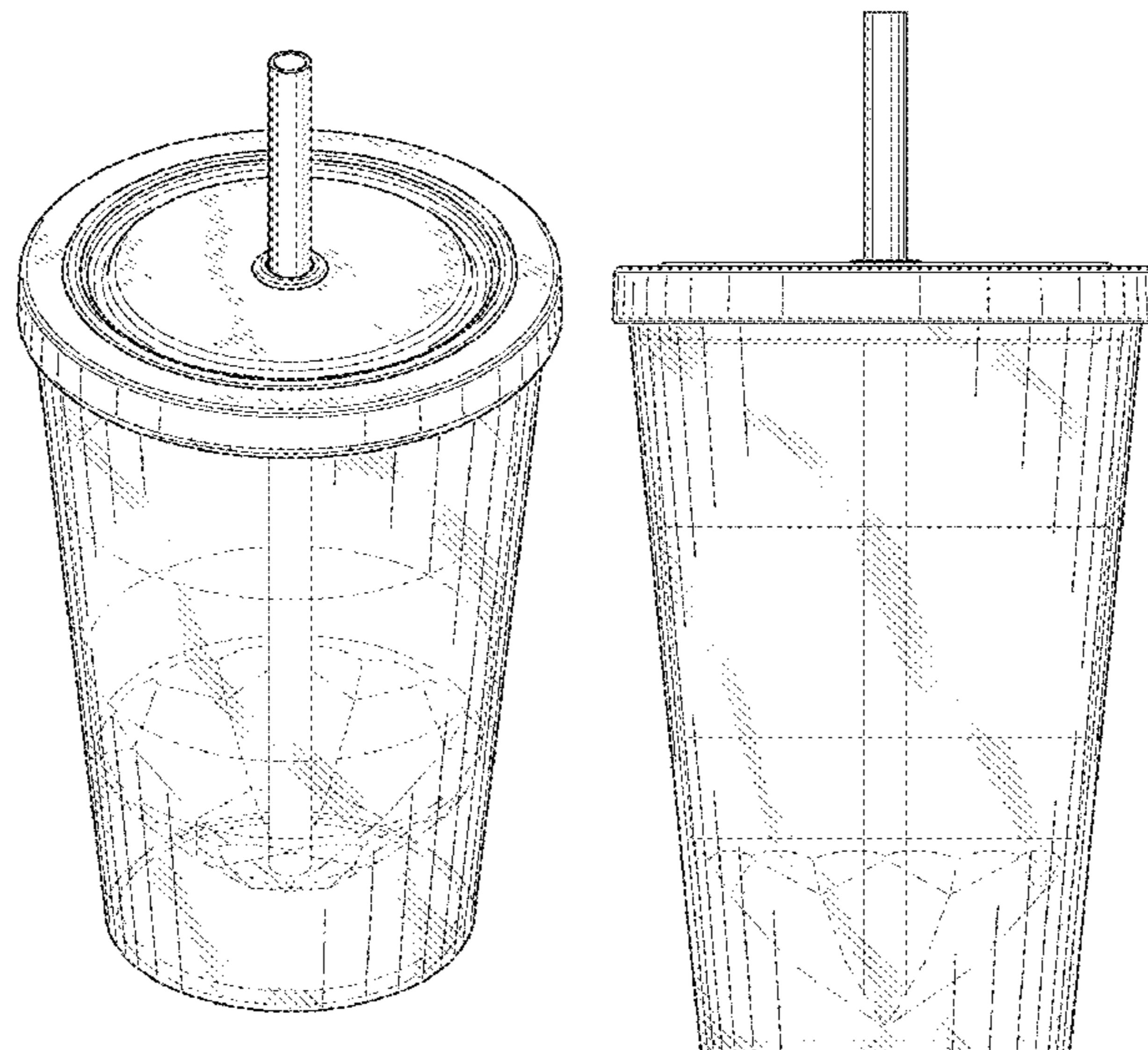
(57) **CLAIM**

The ornamental design for a cup, as shown and described.

DESCRIPTION

FIG. 1 is a perspective view of a cup showing my new design;
FIG. 2 is a side view thereof;
FIG. 3 is a top view thereof; and,
FIG. 4 is a bottom view thereof.

1 Claim, 3 Drawing Sheets



(56)

References Cited

U.S. PATENT DOCUMENTS

D555,835 S 11/2007 Song
 D562,500 S 2/2008 Dretzka
 D563,172 S 3/2008 Bodum
 D563,724 S 3/2008 Bodum
 H2217 H 6/2008 Smay et al.
 D570,158 S 6/2008 Massi et al.
 D581,739 S 12/2008 Bodum
 D595,090 S 6/2009 Benson
 D595,578 S 7/2009 Del Tedesco Zamberlan
 D606,807 S 12/2009 Humphreys et al.
 D613,168 S 4/2010 Rowland et al.
 D613,603 S 4/2010 Rowland et al.
 D613,996 S 4/2010 Ross
 D615,400 S 5/2010 Usui et al.
 D622,592 S 8/2010 Nikura et al.
 D623,475 S 9/2010 Aamoudse et al.
 D624,276 S 9/2010 Green
 D630,514 S 1/2011 Nikura et al.
 D631,294 S * 1/2011 Ross D7/507
 D637,492 S 5/2011 Baird et al.
 D645,750 S 9/2011 Lee
 D646,926 S 10/2011 Willat et al.
 D652,722 S 1/2012 Robertson et al.
 D655,982 S * 3/2012 Liu D7/509
 D670,836 S 11/2012 Hisey et al.
 D679,545 S * 4/2013 Wolhendler D7/510
 D686,454 S 7/2013 Roth
 8,505,763 B2 8/2013 Hayakawa et al.
 D693,176 S 11/2013 Kaiser
 D696,948 S 1/2014 Kim
 D698,499 S 1/2014 Deng
 D705,608 S * 5/2014 Wolhendler D7/509
 D705,609 S * 5/2014 Keyes D7/523
 D713,690 S * 9/2014 Katterheinrich D7/523
 D714,098 S * 9/2014 Zollweg D7/523
 D714,589 S * 10/2014 Uchida D7/523
 D719,829 S 12/2014 Ferber et al.
 D720,185 S * 12/2014 Kaiser D7/509
 D720,958 S * 1/2015 Kehoe D7/396.2
 D724,386 S 3/2015 Royer et al.
 D728,311 S * 5/2015 Eyal D7/510
 D733,499 S 7/2015 Perman et al.
 D736,034 S * 8/2015 Spivey D7/510
 D737,100 S 8/2015 Ross

D741,603 S 10/2015 Mehta et al.
 D742,562 S 11/2015 Kasha
 D742,563 S 11/2015 Kasha
 9,204,744 B2 12/2015 Vacanti
 D751,863 S * 3/2016 Eyal D7/507
 D754,478 S 4/2016 Kushner
 D755,013 S * 5/2016 Khubani D7/507
 D761,112 S 7/2016 Komai et al.
 D769,069 S * 10/2016 Sanbar D7/507
 D772,013 S * 11/2016 O'Connor D7/509
 D772,653 S * 11/2016 Miller D7/523
 D777,519 S * 1/2017 Levy D7/509
 D779,884 S 2/2017 Karussi
 D780,519 S * 3/2017 Karussi B29C 45/2618
 D788,530 S * 6/2017 Kestenbaum D7/509
 2003/0076671 A1 * 4/2003 Diak/Ghanem A47G 19/2227
 362/101
 2003/0219616 A1 * 11/2003 Cheng A47G 19/2227
 428/542.2
 2008/0210694 A1 * 9/2008 Castonguay A47G 19/2288
 220/592.17
 2012/0247998 A1 * 10/2012 Wahl B65D 1/265
 206/459.5
 2013/0112696 A1 5/2013 Fenelon
 2014/0240962 A1 * 8/2014 Wang A47G 23/02
 362/101
 2015/0265078 A1 * 9/2015 Goosman A47G 19/2222
 220/707

OTHER PUBLICATIONS

Office Action for Design U.S. Appl. No. 29/565,771 dated Feb. 8, 2017, 11 pages.
 Office Action for Design U.S. Appl. No. 29/565,769 dated Feb. 8, 2017, 13 pages.
 Office Action for Design U.S. Appl. No. 29/565,766 dated Apr. 27, 2017, 10 pages.
 Office Action for Design U.S. Appl. No. 29/545,341 dated Dec. 30, 2016, 8 pages.
 Office Action for Design U.S. Appl. No. 29/565,769 dated Jun. 15, 2017, 8 pages.
 Office Action for Design U.S. Appl. No. 29/545,341 dated Mar. 24, 2017, 6 pages.

* cited by examiner

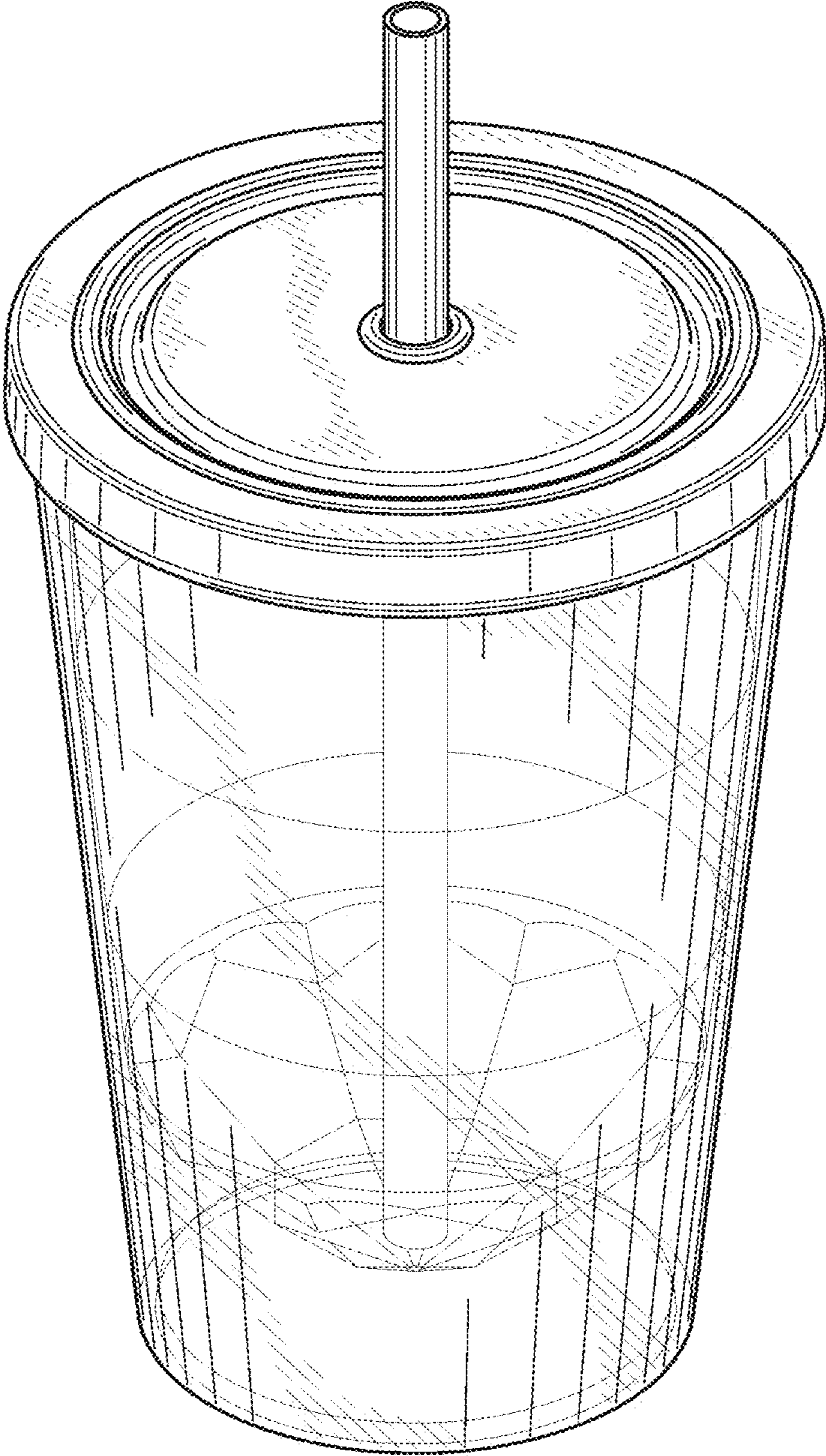


FIG. 1

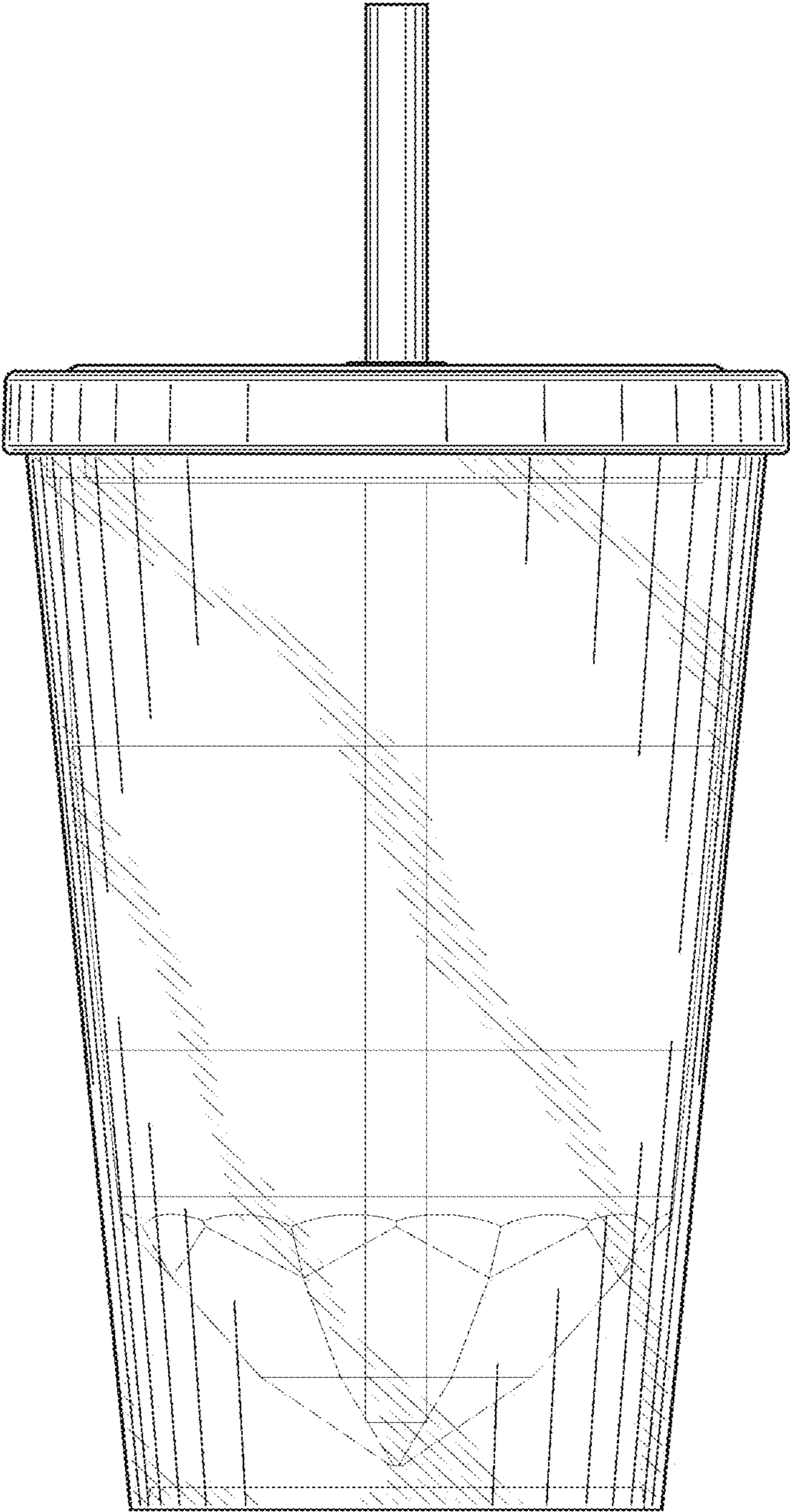


FIG. 2

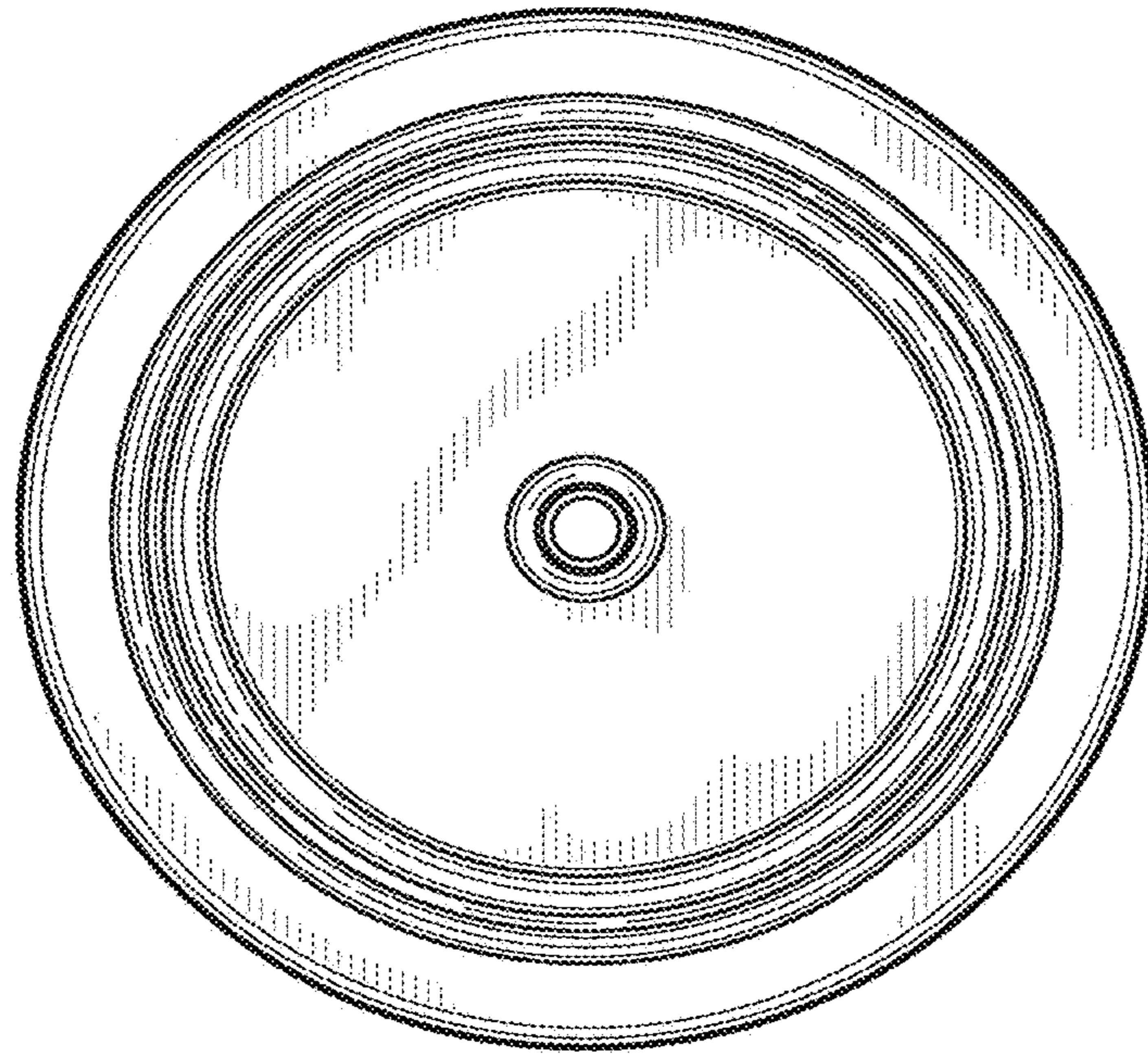


FIG. 3

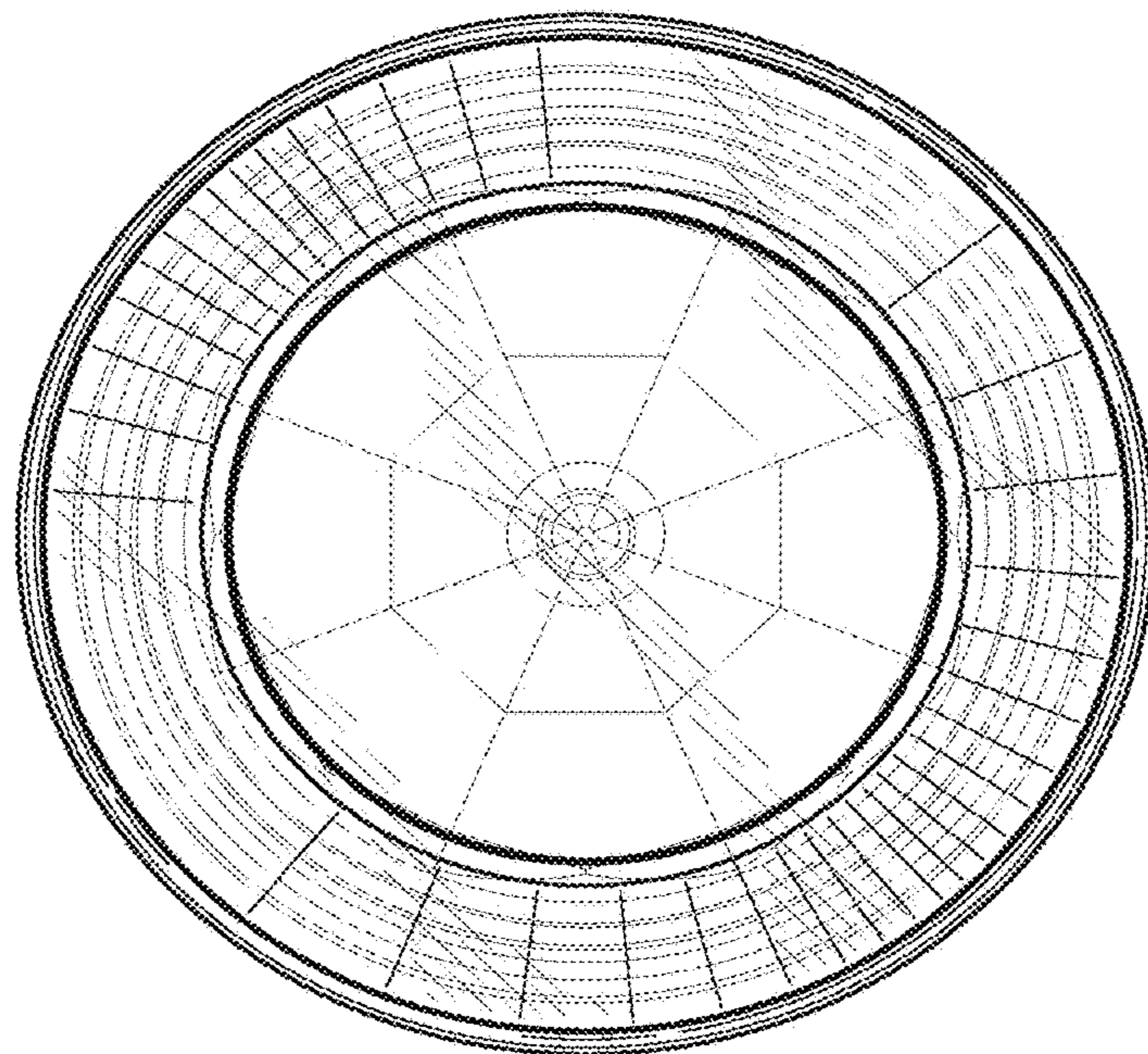


FIG. 4