



US00D814236S

(12) **United States Design Patent**  
**Rolfson et al.**

(10) **Patent No.:** **US D814,236 S**

(45) **Date of Patent:** **\*\* Apr. 3, 2018**

- (54) **CAP**
- (71) Applicant: **Earthwell, Inc.**, Portland, OR (US)
- (72) Inventors: **Scott Rolfson**, Portland, OR (US);  
**Christopher Leiter**, Happy Valley, OR (US)
- (73) Assignee: **Earthwell, Inc.**, Portland, OR (US)
- (\*\*) Term: **15 Years**
- (21) Appl. No.: **29/590,484**
- (22) Filed: **Jan. 10, 2017**
- (51) **LOC (11) Cl.** ..... **07-99**
- (52) **U.S. Cl.**  
USPC ..... **D7/392.1**; D7/396.2; D9/449
- (58) **Field of Classification Search**  
USPC ..... D9/428, 429, 434, 435, 442, 443,  
D9/445-450, 453-456, 499, 682, 684,  
D9/685, 726; D7/387, 388, 392, 392.1,  
D7/393, 396.2, 396.3, 396.4, 401.1, 408,  
D7/504, 507, 509-511, 538, 900;  
D3/202, 203.2, 318; D28/91.1  
CPC .. A61J 1/00; A61J 1/1412; B65D 1/00; B65D  
1/02; B65D 1/10; B65D 1/46; B65D  
2585/56; B65D 2585/545; B65D 41/00;  
B65D 41/38; B65D 41/56; B65D 41/62;  
B65D 47/00; B65D 47/06; B65D 47/08;  
B65D 2543/00046; B65D 2543/00092;  
B65D 2543/00296; B65D 5/46; B65D  
2251/00  
See application file for complete search history.

(56) **References Cited**

**U.S. PATENT DOCUMENTS**

- D155,134 S \* 9/1949 Dykstra ..... D9/555
- D259,097 S \* 5/1981 Kretz ..... D7/598

- D363,666 S \* 10/1995 Goto ..... D7/900
- D375,050 S \* 10/1996 Chahed ..... D9/553
- D500,428 S \* 1/2005 Ward ..... D7/392.1
- D552,926 S \* 10/2007 Yelland ..... D7/392.1
- D584,102 S \* 1/2009 Valderrama ..... D7/392.1
- D614,497 S \* 4/2010 Pola ..... D9/443
- D636,269 S \* 4/2011 Arnell ..... D9/516
- D644,060 S \* 8/2011 Komeiji ..... D7/392.1
- D647,753 S \* 11/2011 Lin ..... D7/392.1
- D651,847 S \* 1/2012 Gilbert ..... D7/392.1
- D653,123 S \* 1/2012 Ziegler ..... D9/773
- D655,570 S \* 3/2012 Meehan ..... D7/510
- D655,967 S \* 3/2012 Bodum ..... D7/300.1
- D691,416 S \* 10/2013 Eyal ..... D7/396.2
- D692,756 S \* 11/2013 McClellan ..... D9/447
- D719,780 S \* 12/2014 Sullivan ..... D7/392.1
- D750,428 S \* 3/2016 Keys ..... D7/396.2

(Continued)

*Primary Examiner* — Michael A. Pratt

*Assistant Examiner* — Wendy Arminio

(74) *Attorney, Agent, or Firm* — Berkeley Law & Technology Group LLP

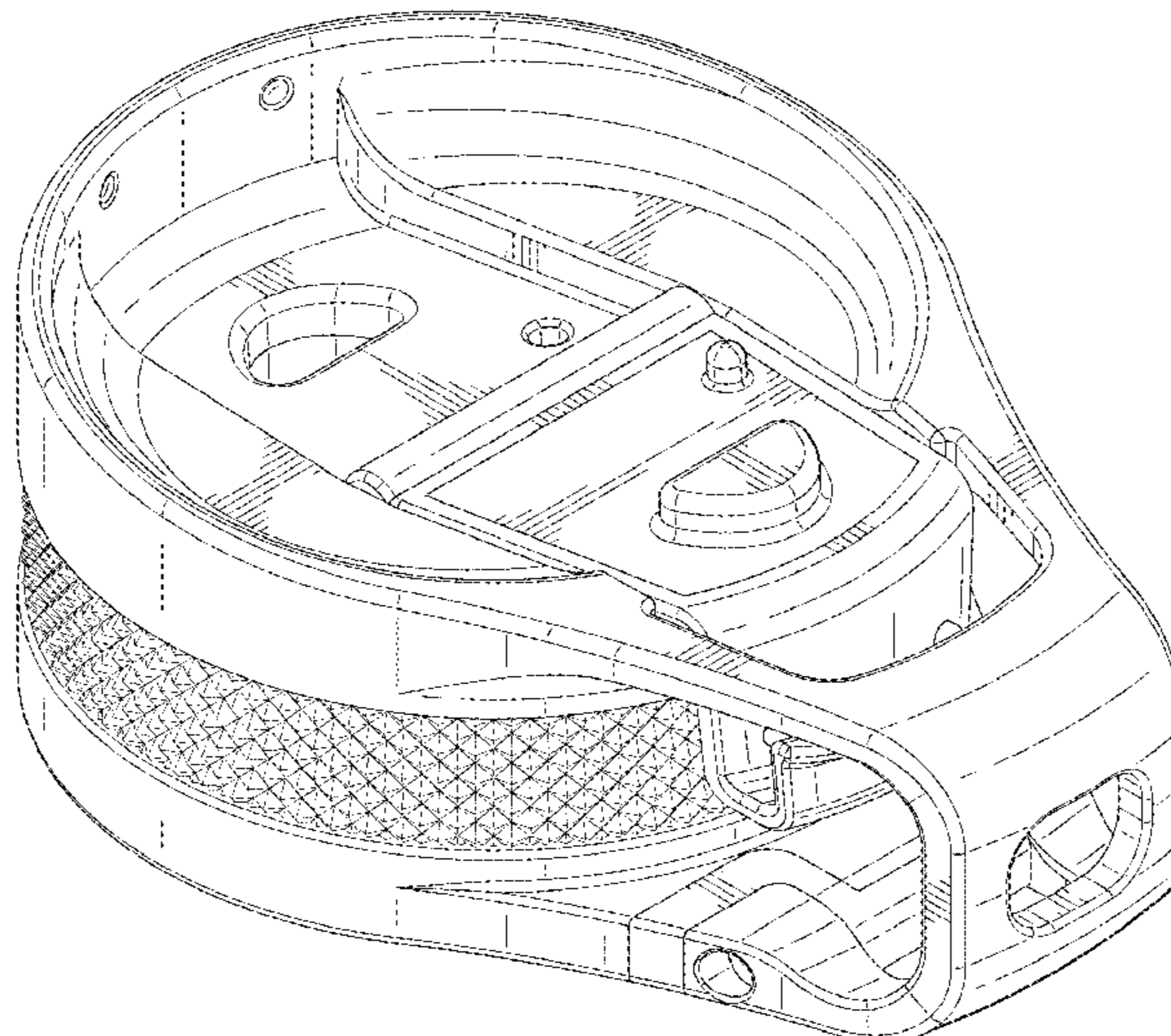
(57) **CLAIM**

The ornamental design for a cap, as shown and described.

**DESCRIPTION**

FIG. 1 is a top and front perspective view of a cap showing our new design;  
 FIG. 2 is a front elevational view of FIG. 1;  
 FIG. 3 is a back elevational view of FIG. 1;  
 FIG. 4 is a right side elevational view of FIG. 1;  
 FIG. 5 is a left side elevational view of FIG. 1;  
 FIG. 6 is a top plan view of FIG. 1;  
 FIG. 7 is a bottom plan view of FIG. 1;  
 FIG. 8 is a bottom perspective view of FIG. 1; and,  
 FIG. 9 is an isometric view of the cap shown in a position of use on an unclaimed cup drawn in broken lines. The broken lines in FIG. 9 represent environmental subject matter and form no part of the claimed design.

**1 Claim, 7 Drawing Sheets**



(56)

**References Cited**

U.S. PATENT DOCUMENTS

|                   |         |                |                         |
|-------------------|---------|----------------|-------------------------|
| D756,702 S *      | 5/2016  | Joseph .....   | D7/392.1                |
| D758,189 S *      | 6/2016  | Roth .....     | D7/392.1                |
| D761,618 S *      | 7/2016  | Lapsker .....  | D7/392.1                |
| D771,990 S *      | 11/2016 | Horowitz ..... | D7/300.1                |
| D794,386 S *      | 8/2017  | Steel .....    | D7/396.2                |
| D797,555 S *      | 9/2017  | Carlson .....  | D9/436                  |
| 2012/0125931 A1 * | 5/2012  | Roth .....     | A47G 19/22<br>220/254.3 |

\* cited by examiner

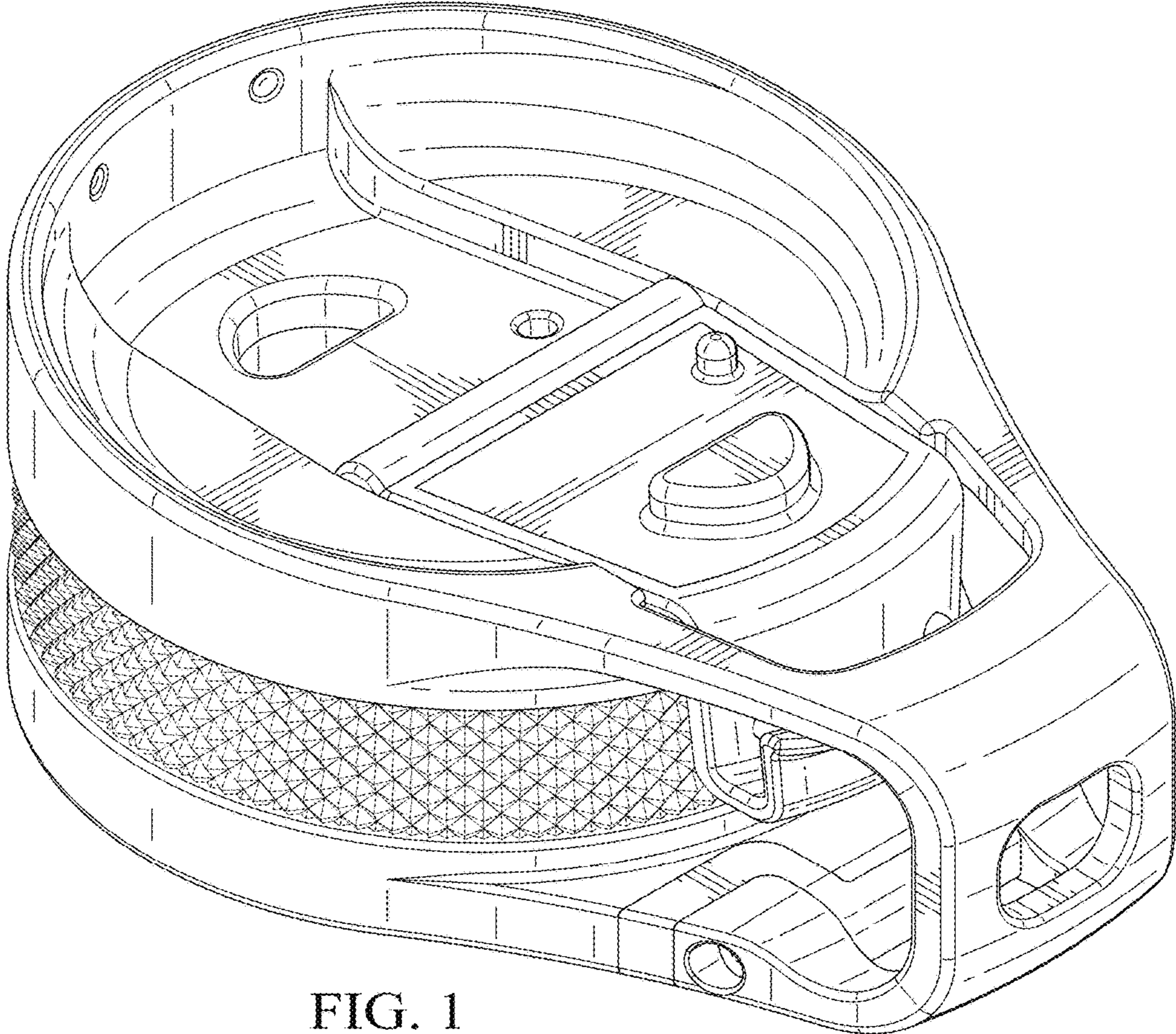


FIG. 1

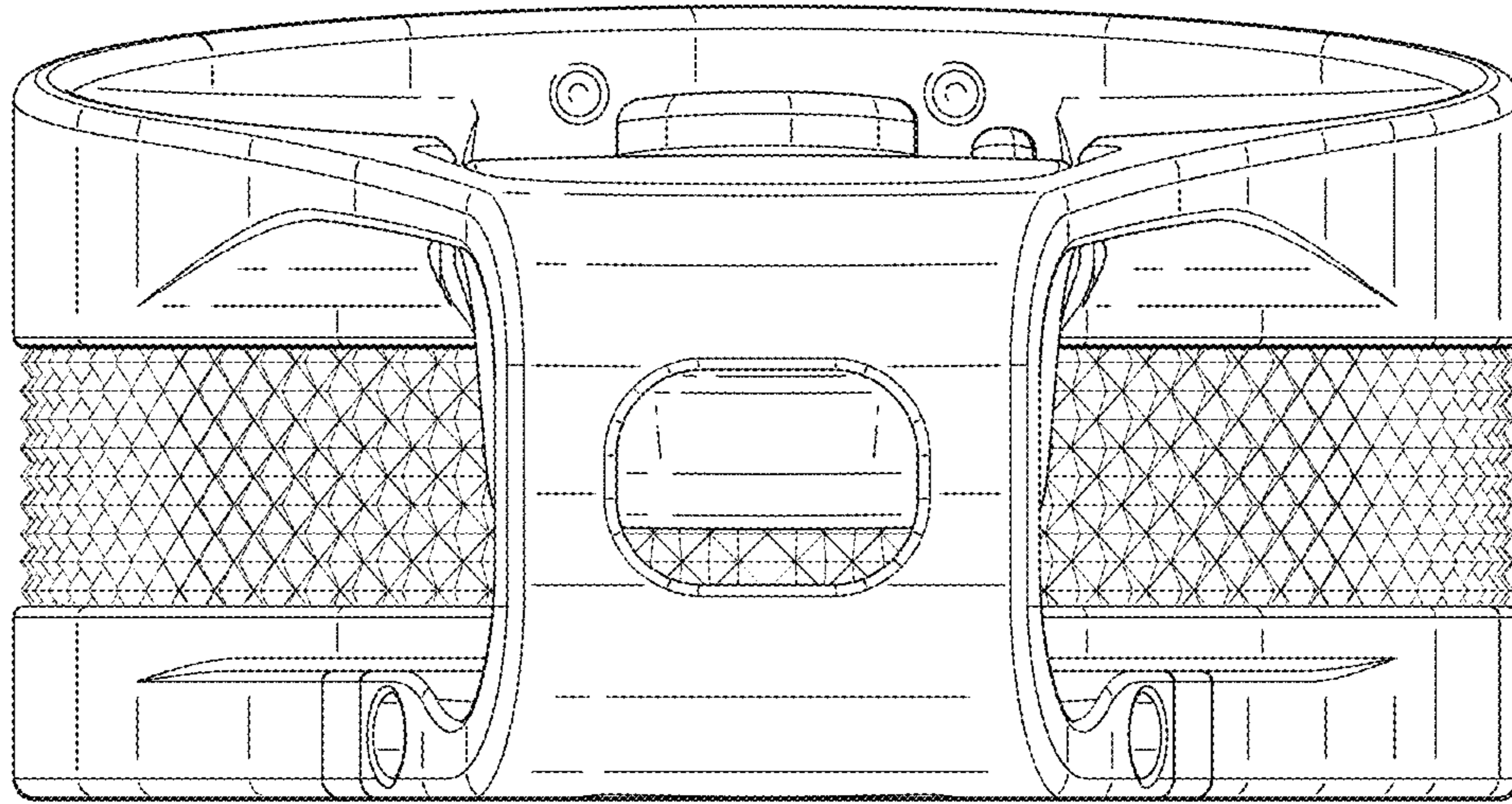


FIG. 2

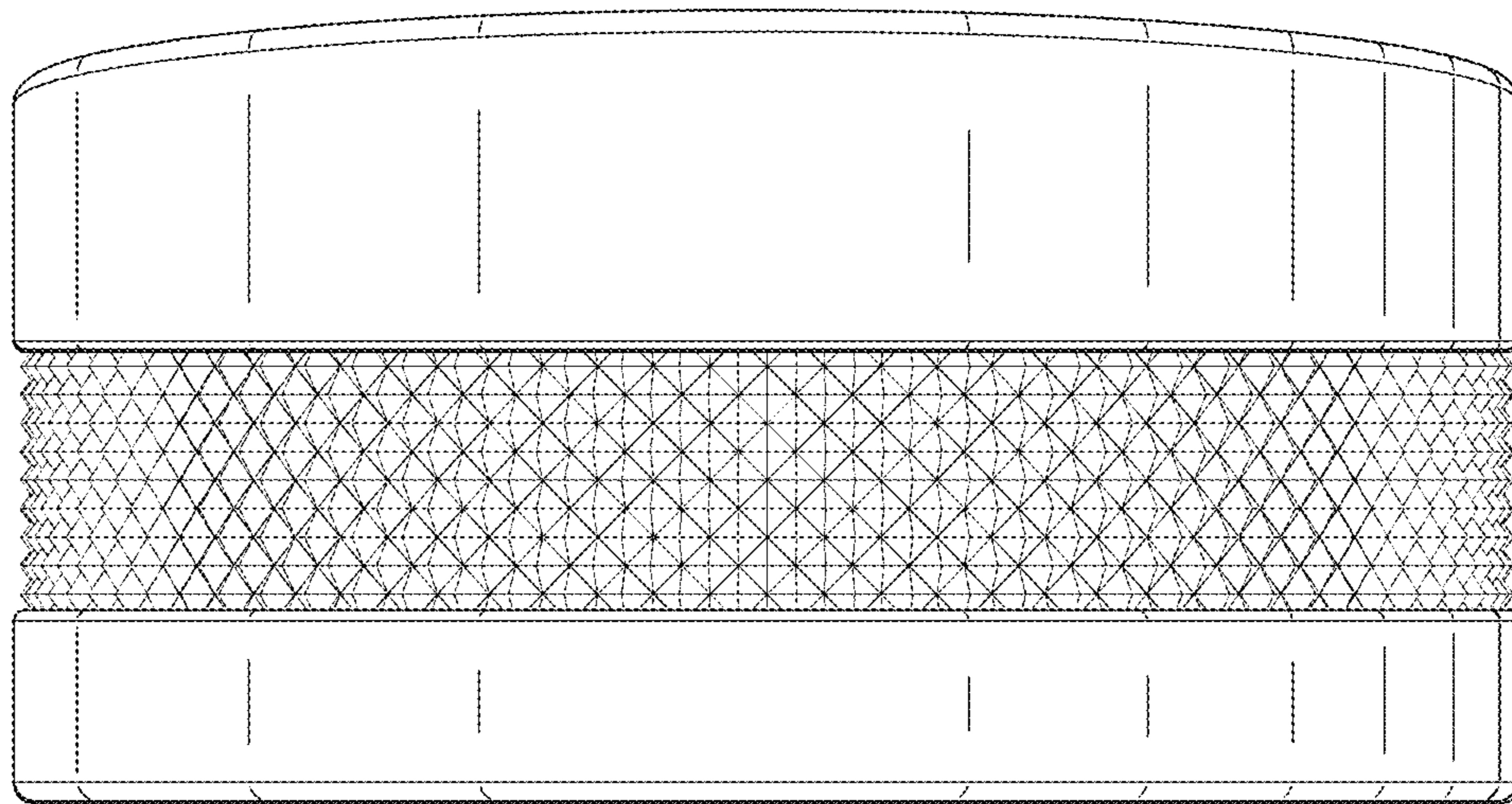


FIG. 3

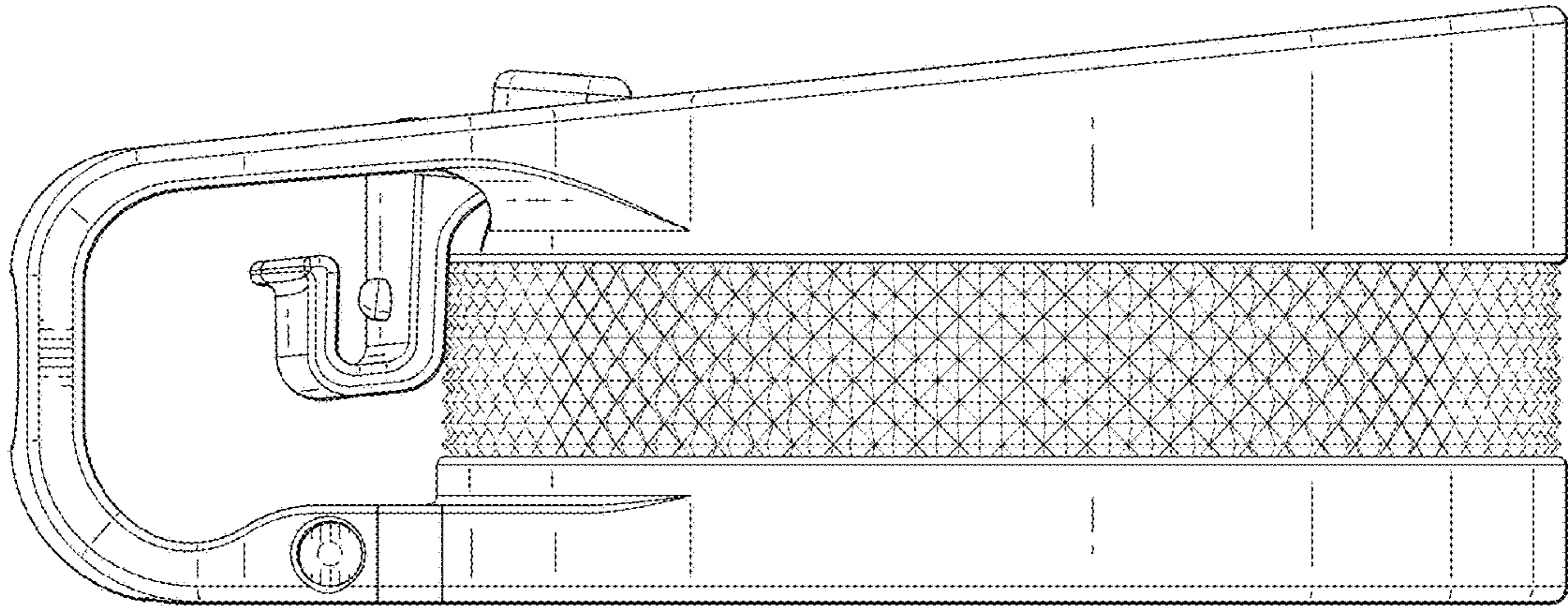


FIG. 4

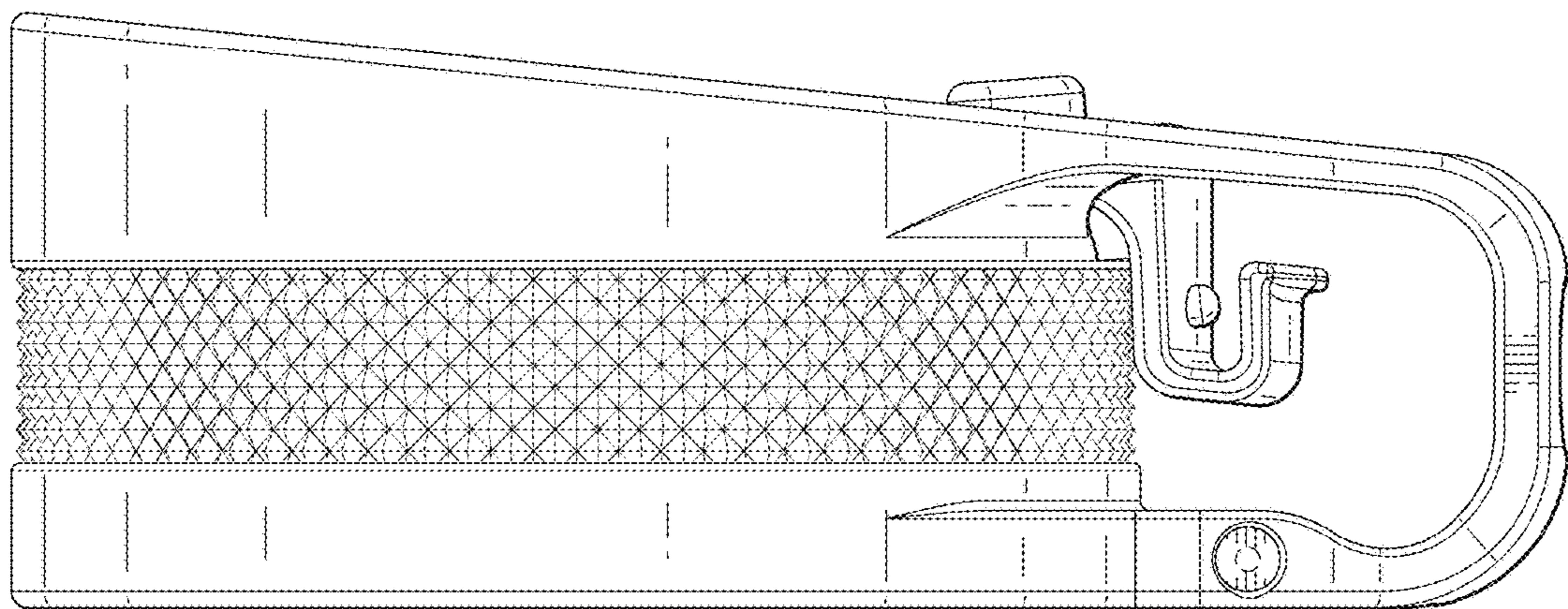


FIG. 5

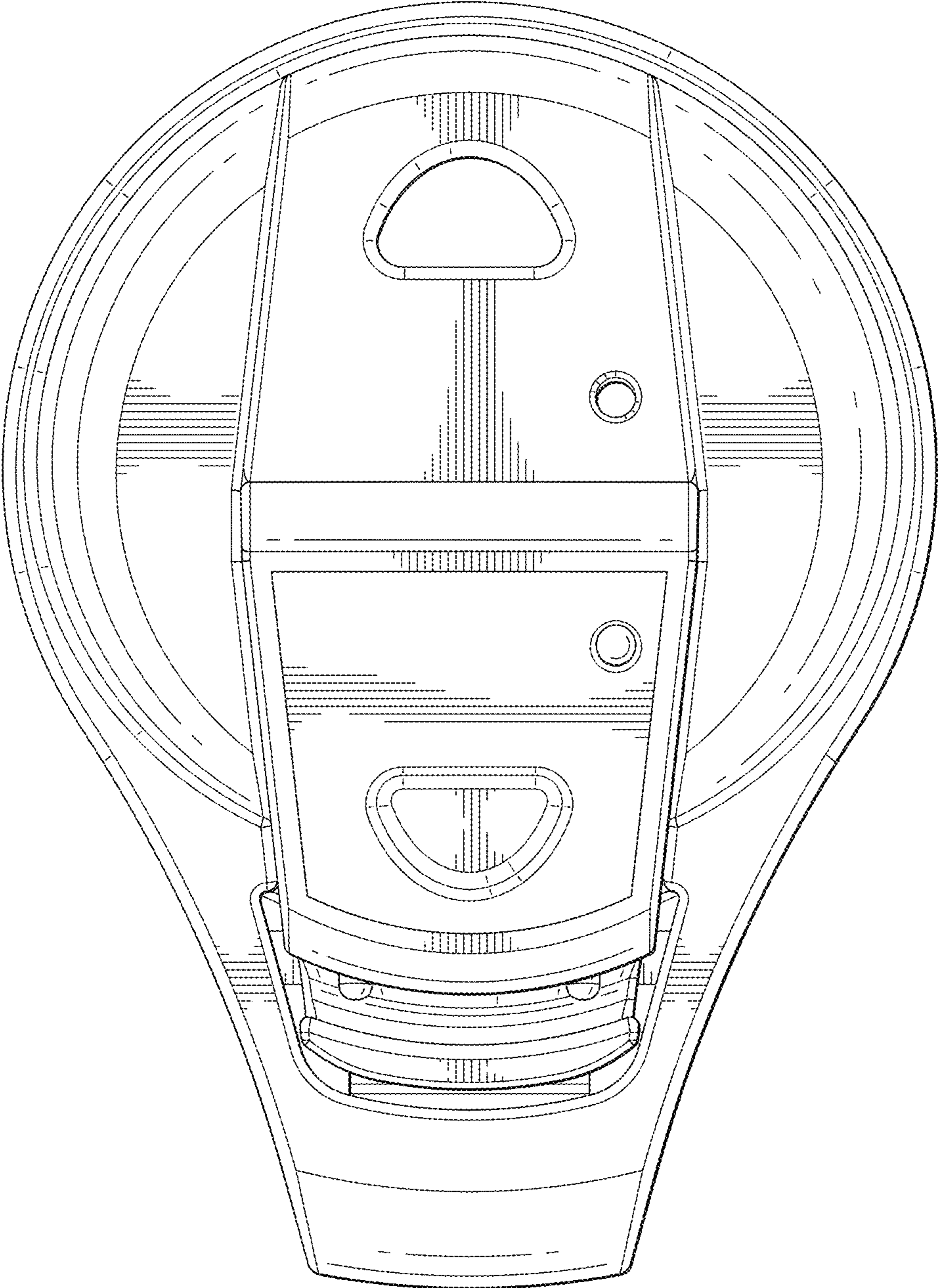


FIG. 6

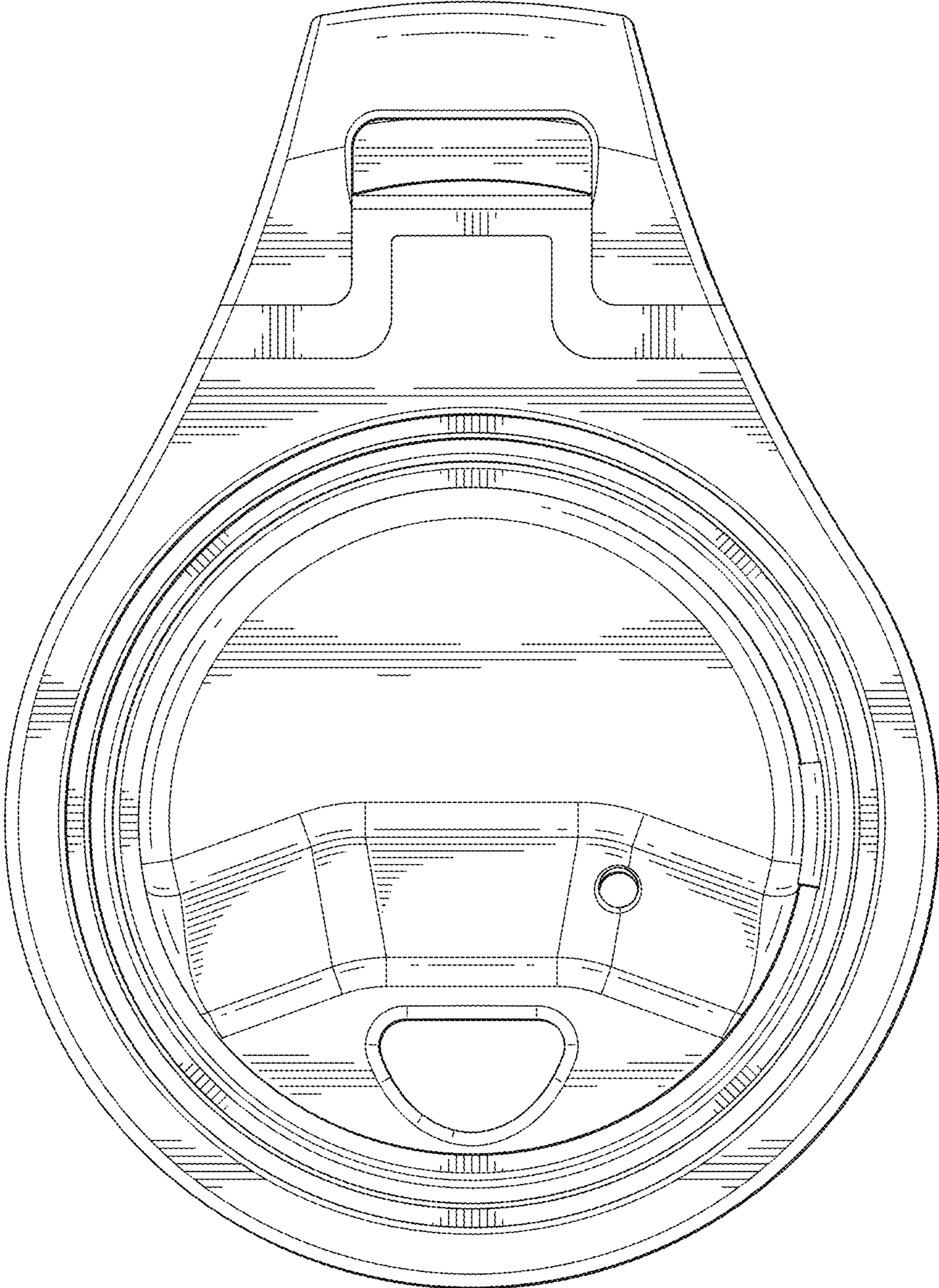


FIG. 7

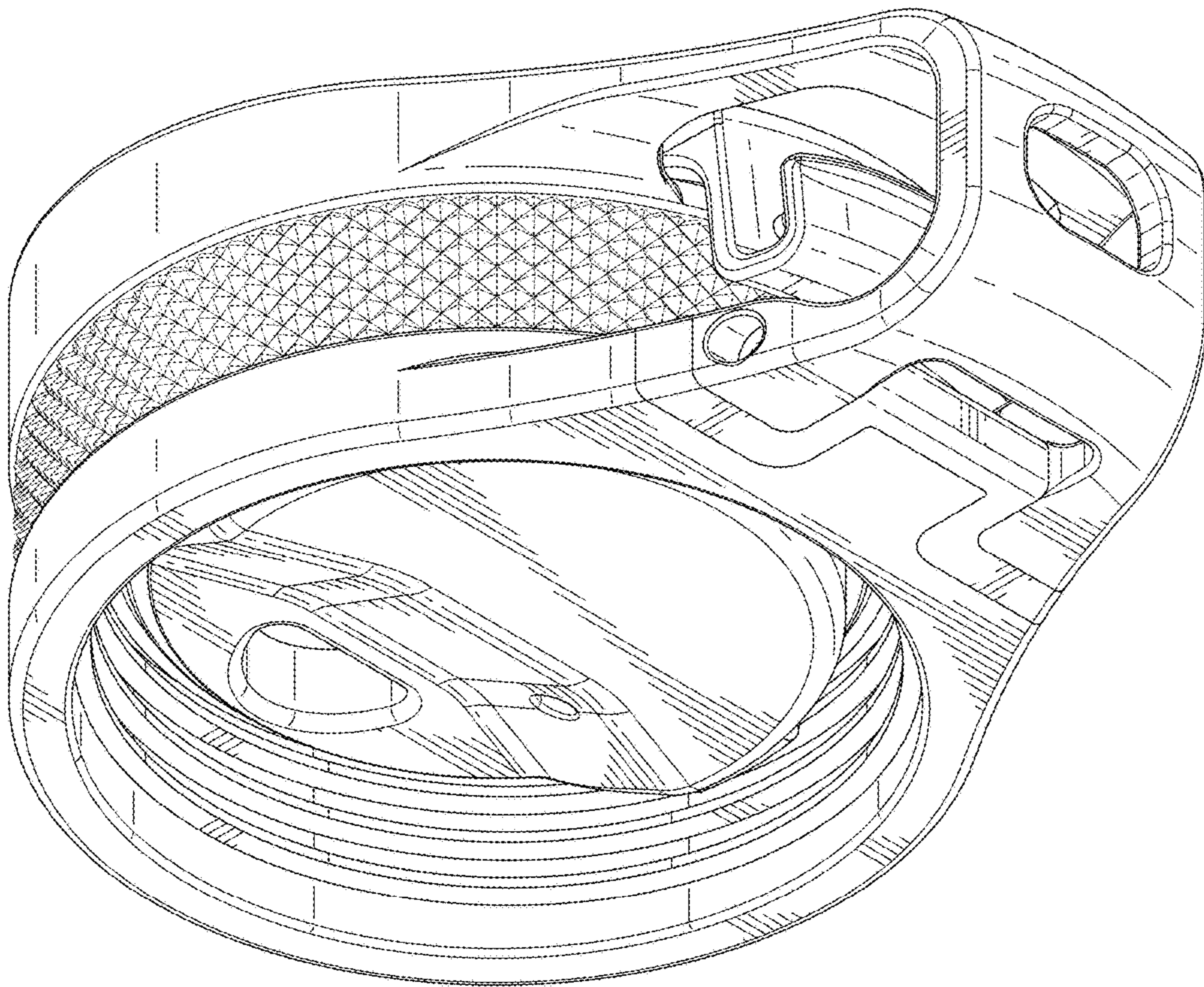


FIG. 8



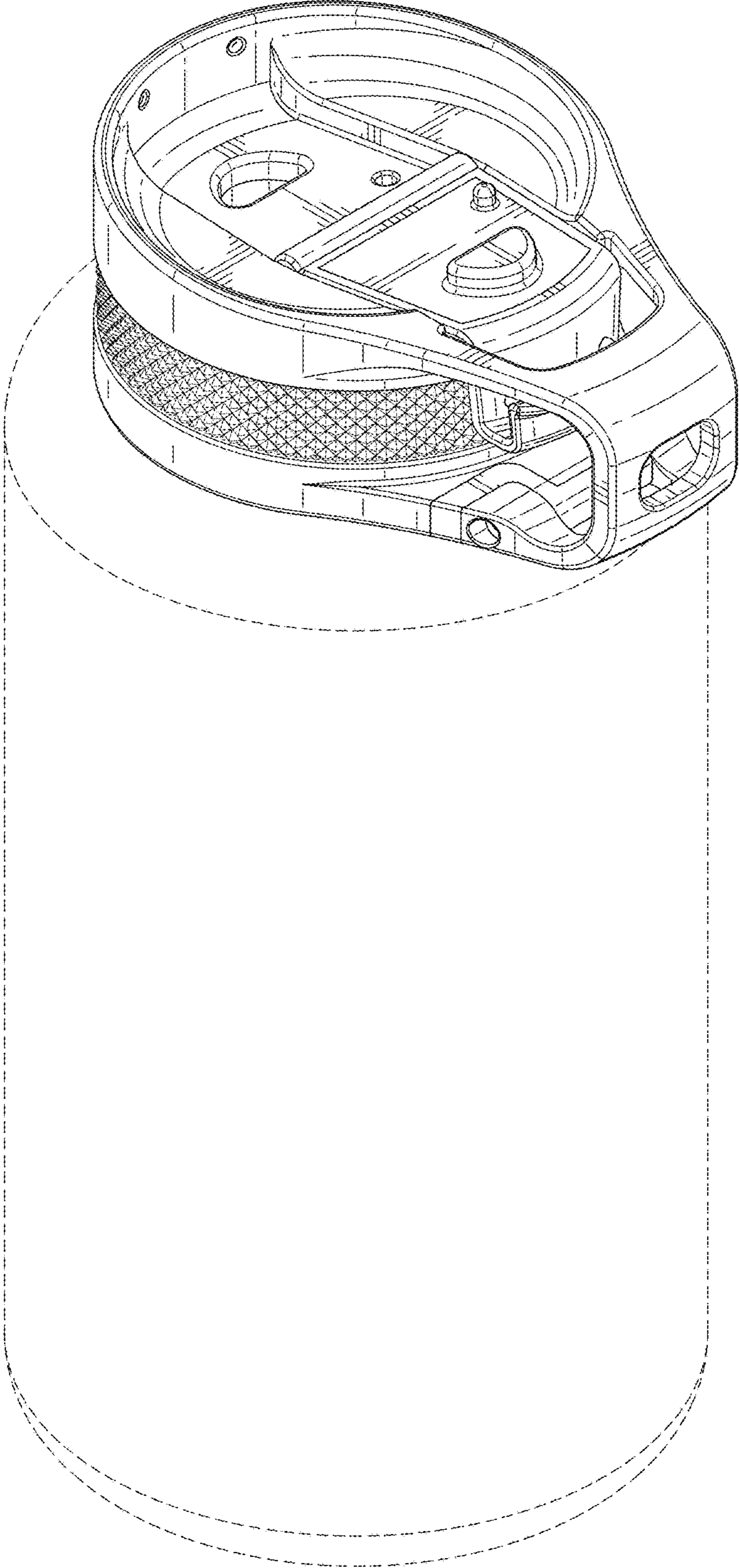


FIG. 9