



US00D814235S

(12) **United States Design Patent** (10) **Patent No.:** **US D814,235 S**
Shirley et al. (45) **Date of Patent:** **** Apr. 3, 2018**

- (54) **CAP WITH STRAP FOR BOTTLE**
- (71) Applicant: **Dart Industries Inc.**, Orlando, FL (US)
- (72) Inventors: **Nathan E. Shirley**, Orlando, FL (US);
Jan-Hendrik de Groote, Aalst (BE)
- (73) Assignee: **Dart Industries Inc.**, Orlando, FL (US)
- (**) Term: **15 Years**
- (21) Appl. No.: **29/562,830**
- (22) Filed: **Apr. 29, 2016**

Related U.S. Application Data

- (62) Division of application No. 29/531,058, filed on Jun. 23, 2015, now Pat. No. Des. 763,622.
- (51) **LOC (11) Cl.** **07-01**
- (52) **U.S. Cl.**
USPC **D7/392.1**; D9/446
- (58) **Field of Classification Search**
USPC D3/202; D7/300, 300.1, 313, 314, 316,
D7/387, 392, 393, 396.1, 392.2, 396.2,
D7/397, 398, 401.1, 436, 509, 510, 511,
D7/523, 525, 526, 527, 528, 538, 589,
D7/590, 591, 602, 619.1, 900; D9/434,
D9/435, 436, 437, 438, 440, 443, 445,
D9/446, 447, 448, 449, 452, 453, 454,
D9/686, 688, 690, 723, 724, 763, 772
CPC A47G 19/2205; A47G 19/2222; A47G
19/2266; A47G 19/2272; A47G 19/2294;
A47G 23/06; B65D 39/00; B65D
39/0005; B65D 39/02; B65D 39/08;
B65D 39/14; B65D 39/19; B65D 41/00;
B65D 41/02; B65D 41/005; B65D
41/023; B65D 41/026; B65D 41/0407;
B65D 41/0414; B65D 41/0421; B65D
41/0428; B65D 41/0471; B65D 41/0485;
B65D 41/0492; B65D

(Continued)

(56) **References Cited**

U.S. PATENT DOCUMENTS

D364,810 S * 12/1995 Meisner D9/446
D409,043 S * 5/1999 Lillelund D7/392

(Continued)

FOREIGN PATENT DOCUMENTS

CA 2716398 A1 * 4/2011 B65D 47/08
JP 2015040060 A * 3/2015 B65D 41/42
JP 2017007743 A * 1/2017 B65D 1/02

OTHER PUBLICATIONS

Contigo Purity Glass Water Bottle: Announced Oct. 16, 2016. Available from Internet URL:https://www.amazon.com/Contigo-Purity-Bottle-Silicone-Tether/dp/B01BD0R0B2/ref=pd_sim_79_1?encoding=UTF8&pd_rd_i=B01BD0R0B2&pd_rd_r=GY8T7ZZYVHGCPHWCFRH2&pd_rd_w=lfTFh&pd_rd_wg=NW9Hk&psc=1&refRID=GY8T7ZZYVHGCP.*

Primary Examiner — Jennifer Rivard

Assistant Examiner — Catherine S Posthauer

(74) *Attorney, Agent, or Firm* — Taylor J. Ross

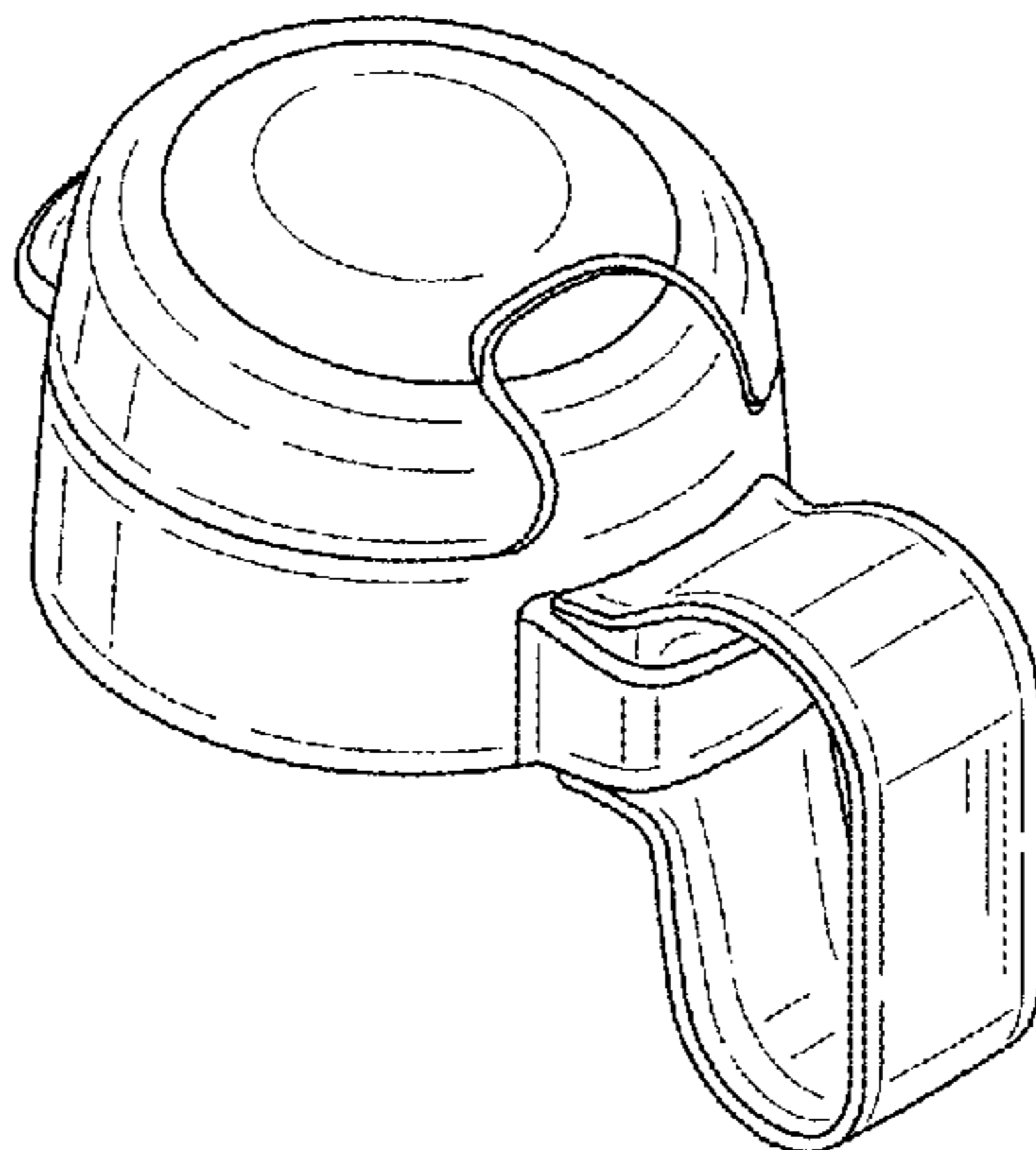
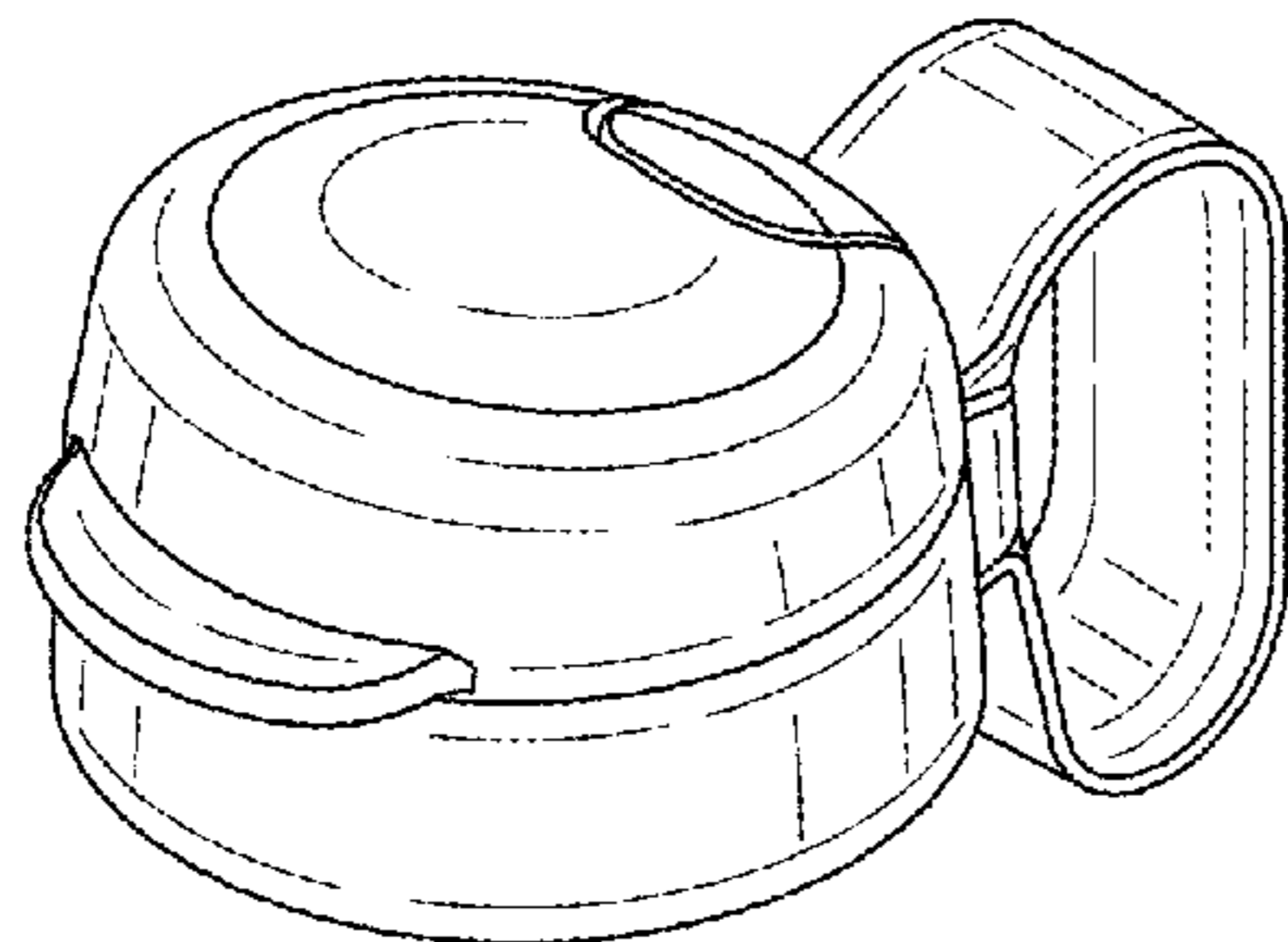
(57) **CLAIM**

The ornamental design for a cap with strap for bottle, as shown and described.

DESCRIPTION

This application is related to co-pending application Ser. No. 14/746,965, which are incorporated herein by reference. FIG. 1 is a top, front and left side perspective view of a cap with strap for bottle showing our new design; FIG. 2 is a top, rear and left side perspective view thereof; FIG. 3 is a top plan view thereof; FIG. 4 is a bottom plan view thereof; FIG. 5 is a left side elevation view, the right side being a mirror image thereof; FIG. 6 is a front elevation view thereof; and, FIG. 7 is a rear elevation view thereof.

(Continued)



The broken lines are shown for the purpose of illustrating parts of the article that form no part of the claim.

B65D 23/104; B65D 25/56; B65D 2203/04; A47J 36/10; A47J 36/14; A47J 36/06; A47J 43/27; A61J 1/1412; A61J 2205/50

1 Claim, 2 Drawing Sheets

See application file for complete search history.

(58) Field of Classification Search

CPC 41/16; B65D 41/17; B65D 41/26; B65D 41/32; B65D 41/34; B65D 41/56; B65D 50/00; B65D 50/041; B65D 53/00; B65D 53/02; B65D 53/04; B65D 55/02; B65D 55/024; B65D 43/02; B65D 43/14; B65D 43/26; B65D 43/0202; B65D 51/18; B65D 51/28; B65D 51/242; B65D 51/2821; B65D 51/2814; B65D 2251/0018; B65D 2251/0081; B65D 2251/0026; B65D 2251/009; B65D 2543/00046; B65D 47/08; B65D 47/12; B65D 47/265; B65D 1/02; B65D 23/06;

(56)

References Cited

U.S. PATENT DOCUMENTS

D750,490 S * 3/2016 Moore D9/446
D753,998 S * 4/2016 Murphey D9/446
D762,117 S * 7/2016 Joseph D7/387
D763,076 S * 8/2016 Lane D9/446
D763,622 S * 8/2016 Shirley D7/511
D767,390 S * 9/2016 Miksovsky D7/392.1
D776,533 S * 1/2017 Kikel D9/446
D785,402 S * 5/2017 Shirley D7/392.1
2016/0376061 A1* 12/2016 Shirley B65D 1/02
215/228
2017/0240321 A1* 8/2017 Sims B65D 43/22

* cited by examiner

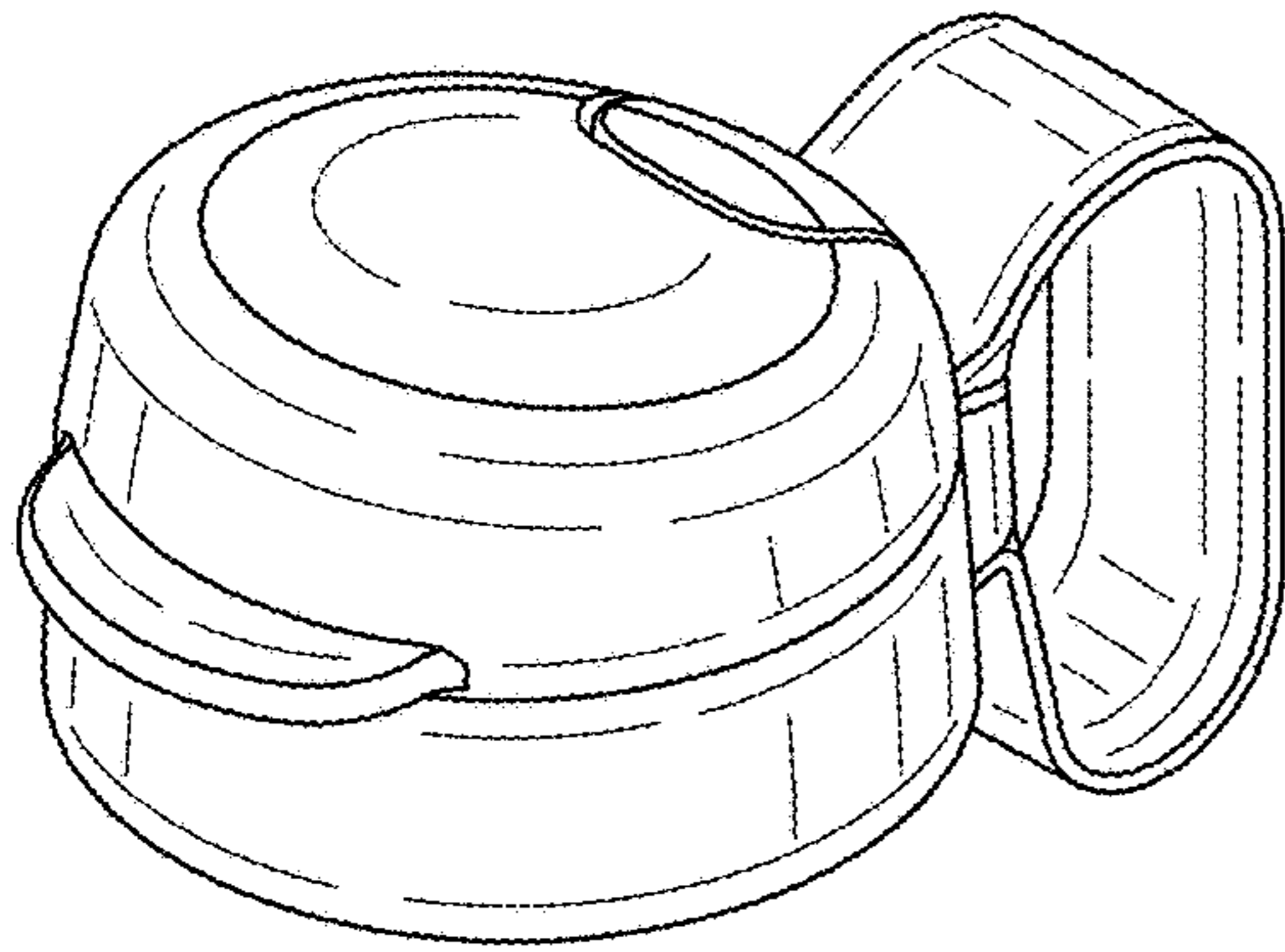


FIG. 1

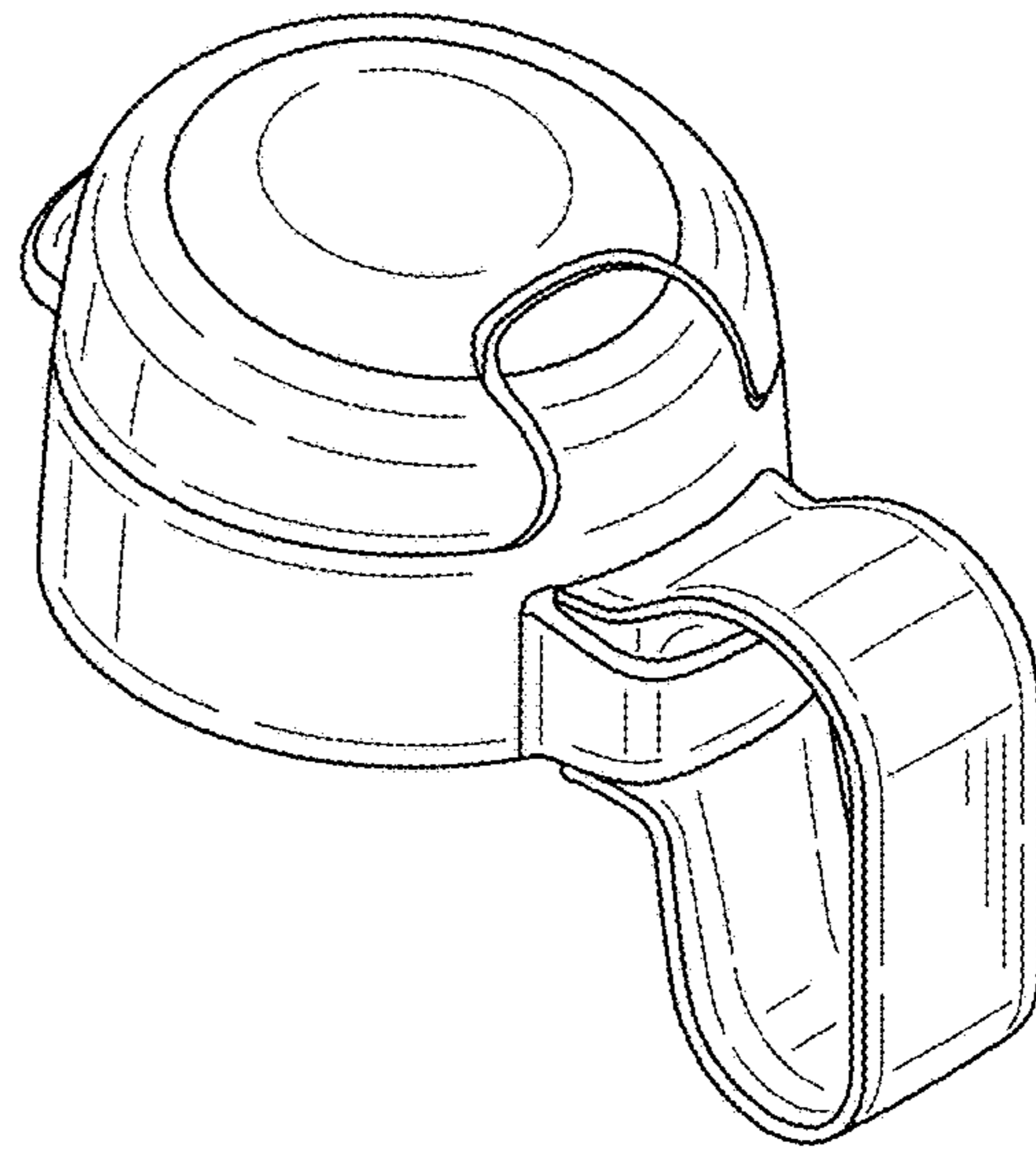


FIG. 2

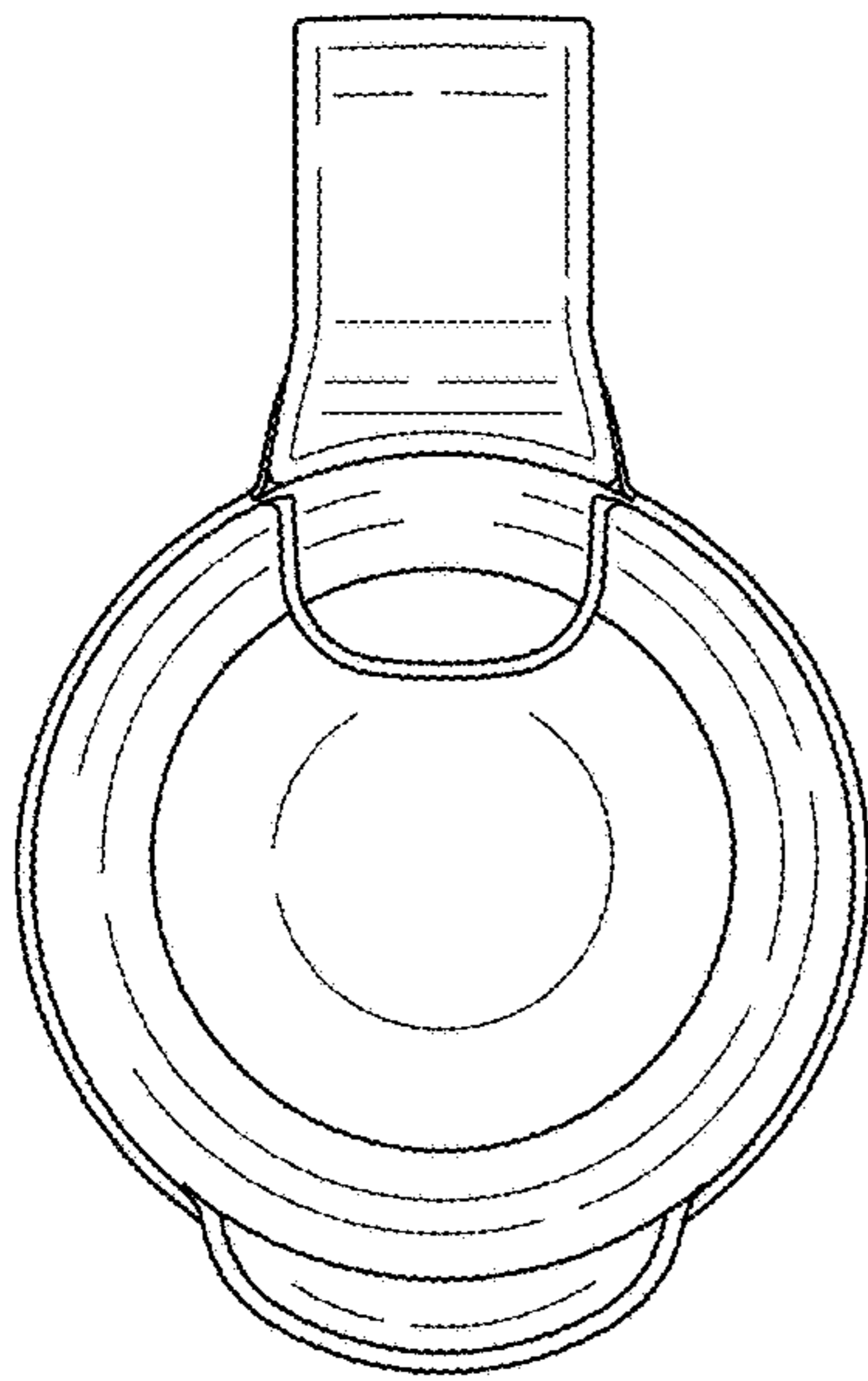


FIG. 3

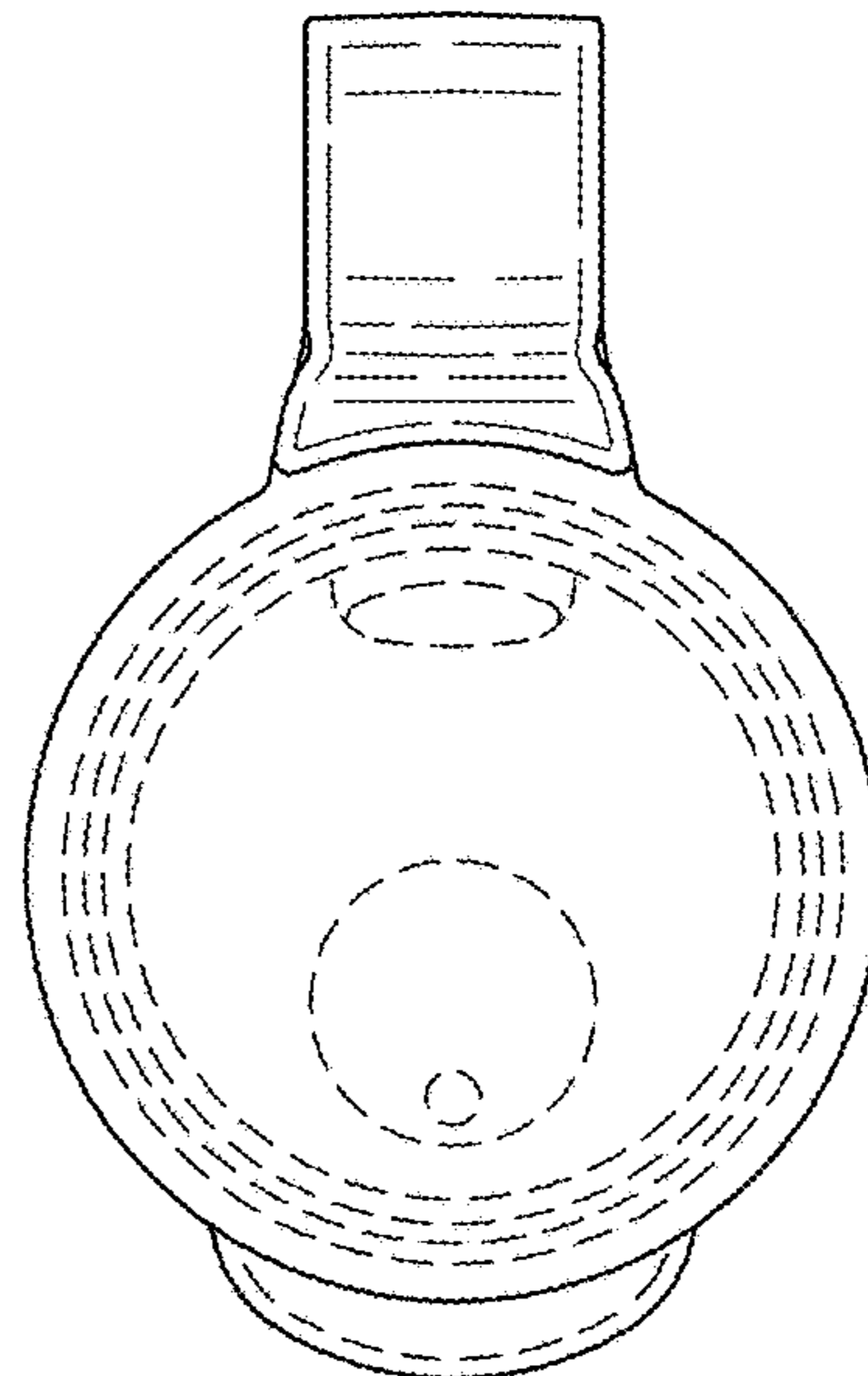


FIG. 4

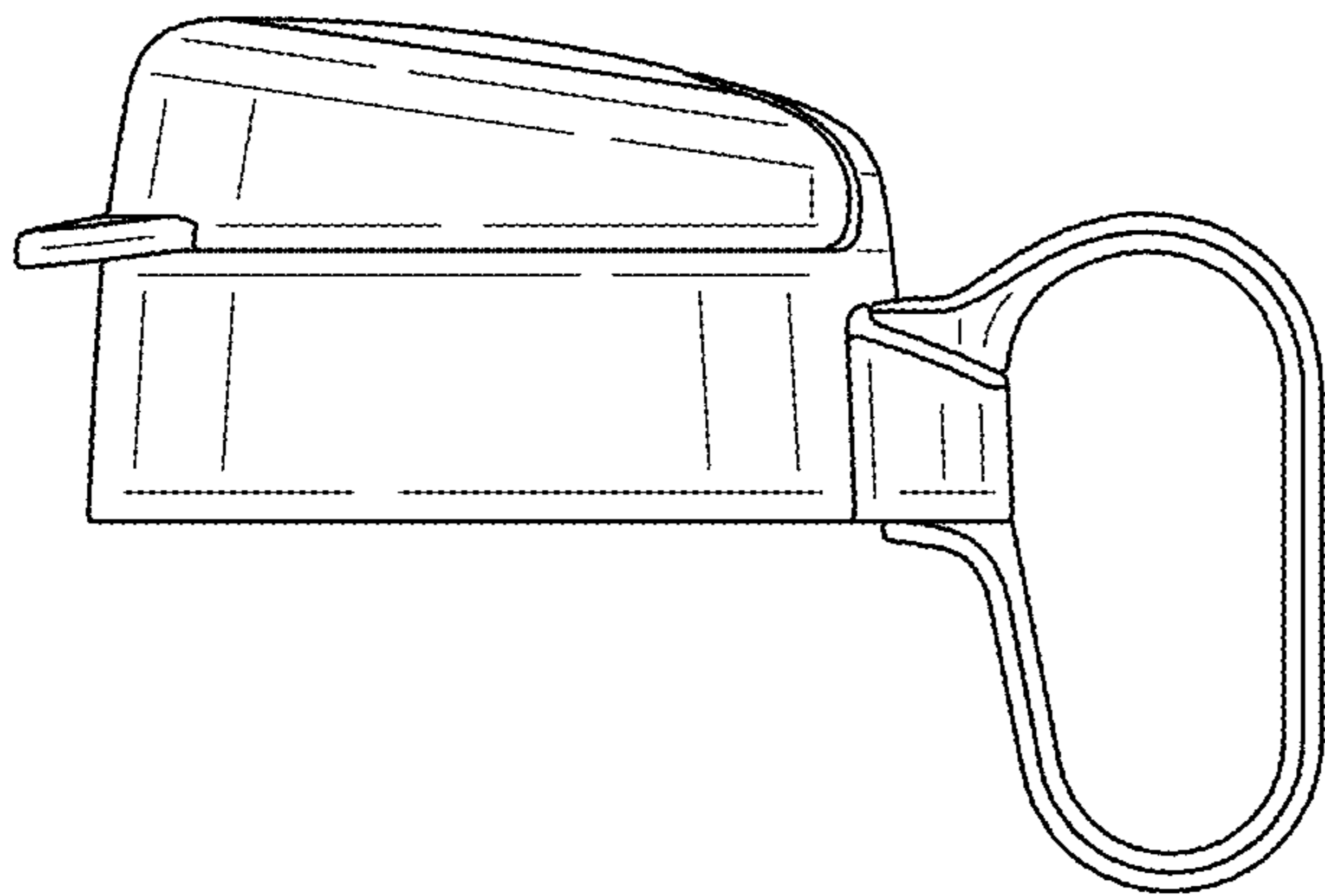


FIG. 5

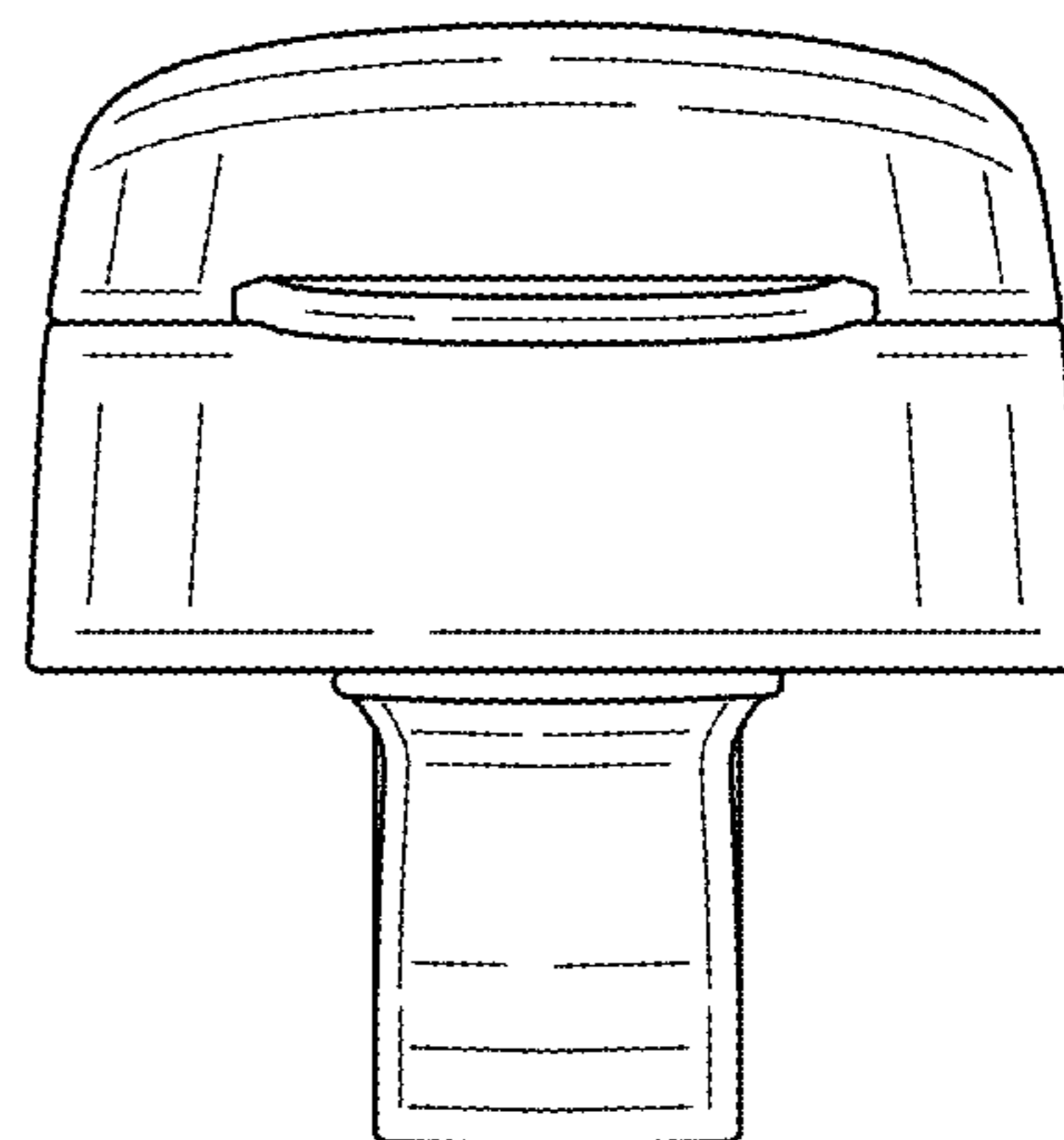


FIG. 6

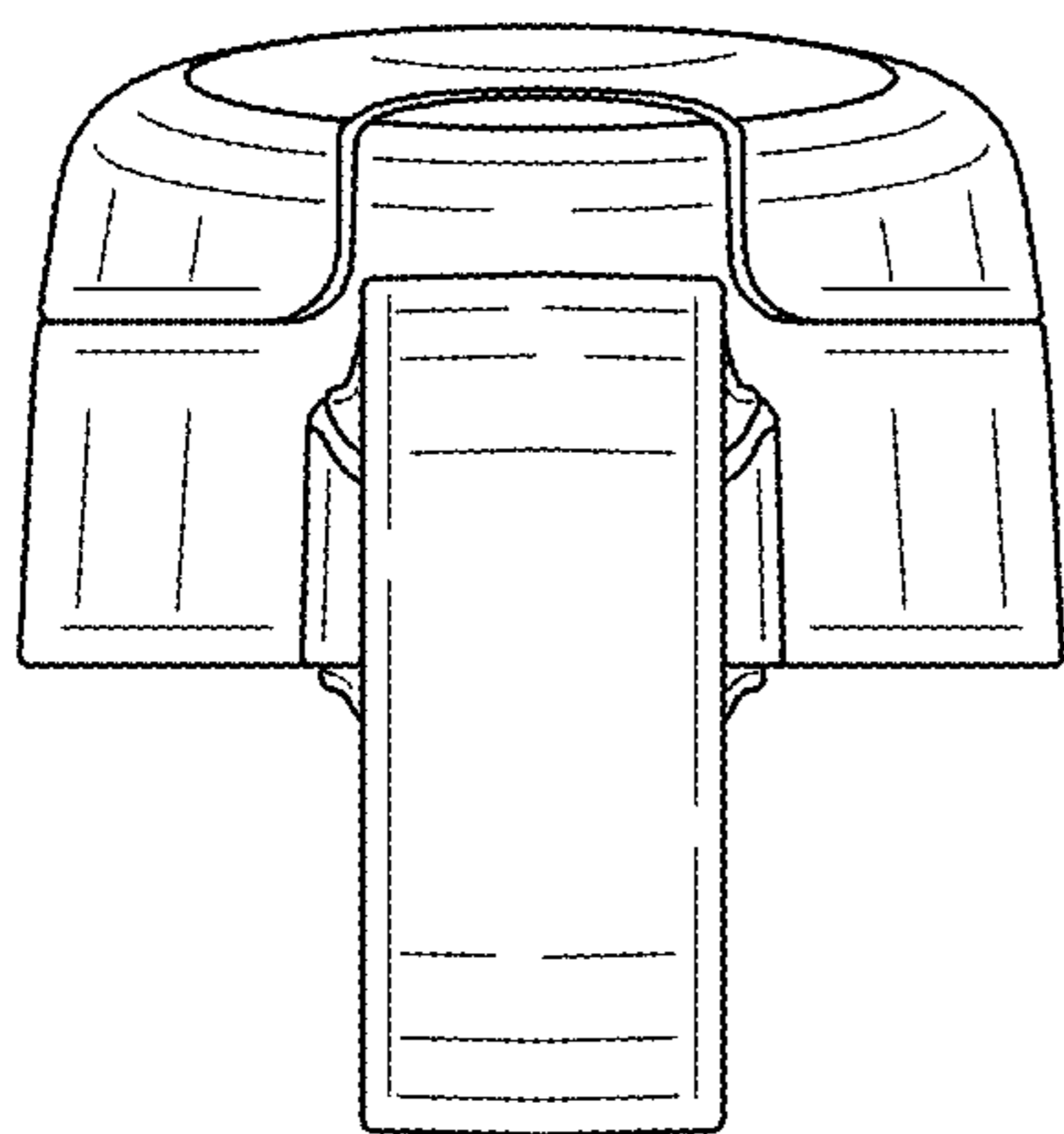


FIG. 7