



US00D814234S

(12) **United States Design Patent** (10) **Patent No.:** **US D814,234 S**
Joseph (45) **Date of Patent:** **** Apr. 3, 2018**

(54) **DIAL**
(71) Applicant: **JOSEPH JOSEPH LTD**, London (GB)
(72) Inventor: **Antony Joseph**, London (GB)
(73) Assignee: **JOSEPH JOSEPH LTD.**, London (GB)
(**) Term: **15 Years**
(21) Appl. No.: **29/562,287**
(22) Filed: **Apr. 25, 2016**

D498,973 S * 11/2004 Klock D7/392.1
D517,861 S * 3/2006 Kim D7/392.1
D527,218 S * 8/2006 Carlson D7/392
D537,293 S * 2/2007 Ho D7/392.1
D537,300 S * 2/2007 Kim D7/542
D562,624 S * 2/2008 Kortleven D7/392.1
D591,112 S * 4/2009 Wang D7/629
D642,861 S * 8/2011 Samartgis D7/392.1
D655,605 S * 3/2012 Baughman D9/447
2003/0116572 A1 * 6/2003 Klock A47J 36/027
220/367.1
2009/0200296 A1 * 8/2009 Iwasaki B29C 45/33
219/735

* cited by examiner

(30) **Foreign Application Priority Data**
Oct. 27, 2015 (EM) 002837997-0001
(51) **LOC (11) Cl.** **07-02**
(52) **U.S. Cl.**
USPC **D7/391**
(58) **Field of Classification Search**
USPC D7/391, 392, 392.1, 393, 397, 629;
D9/414, 424-432, 435, 447, 451-452
CPC A47J 36/027; A47J 36/06; A47J 37/10;
A47J 37/101; B29C 45/33; B65D
21/0209; B65D 43/00; B65D 43/02;
B65D 43/022; B65D 43/161; B65D
43/162; B65D 45/00; B65D 45/16; B65D
45/18; B65D 51/16; B65D 51/1683;
B65D 51/1688; B65D 51/1694; B65F
1/1615
See application file for complete search history.

Primary Examiner — Ricky Pham
(74) *Attorney, Agent, or Firm* — Miller, White, Zelano, Branigan, P.C.

(57) **CLAIM**

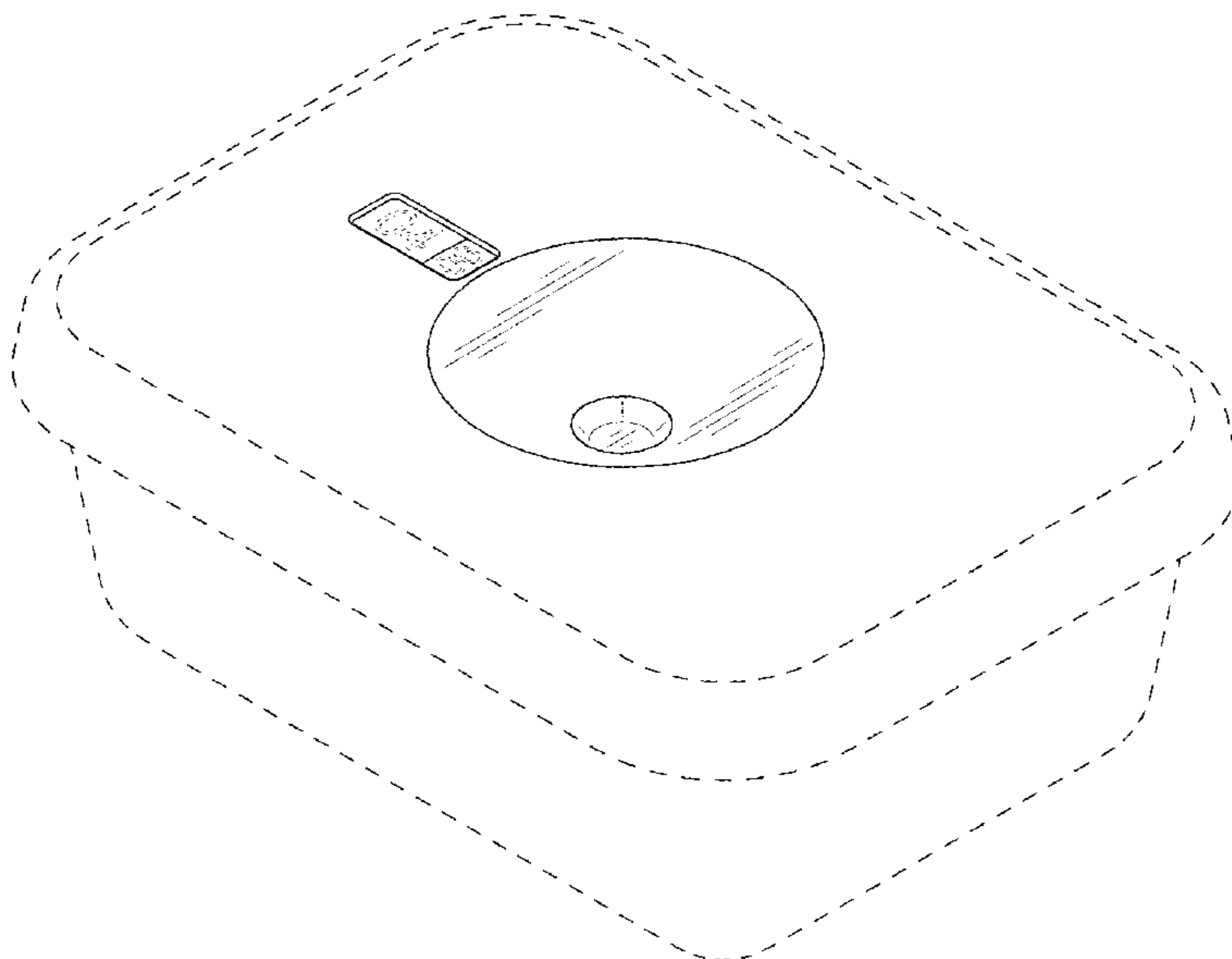
The ornamental design for a dial, as shown and described.

DESCRIPTION

FIG. 1 is a top perspective view of the dial showing my new design.
FIG. 2 is a bottom perspective view thereof.
FIG. 3 is a top view thereof.
FIG. 4 is a bottom view thereof.
FIG. 5 is a side view thereof.
FIG. 6 is another side view thereof; and,
FIG. 7 is an exploded top perspective view thereof.
The broken lines in the drawings illustrate portions of the dial which form no part of the claimed design.

(56) **References Cited**
U.S. PATENT DOCUMENTS
D465,969 S * 11/2002 Morin D7/392.1
D479,954 S * 9/2003 Kim D7/629

1 Claim, 7 Drawing Sheets



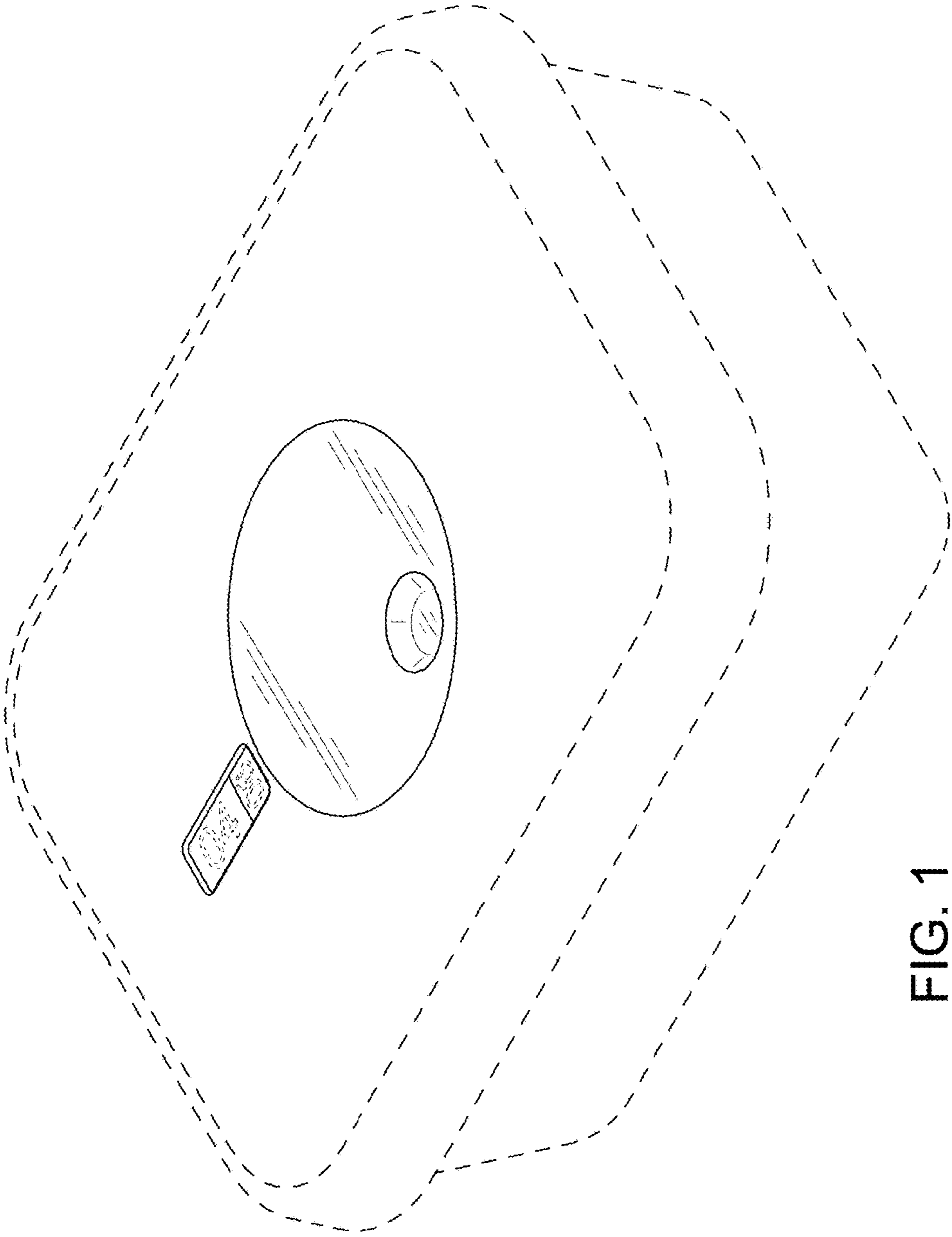


FIG. 1

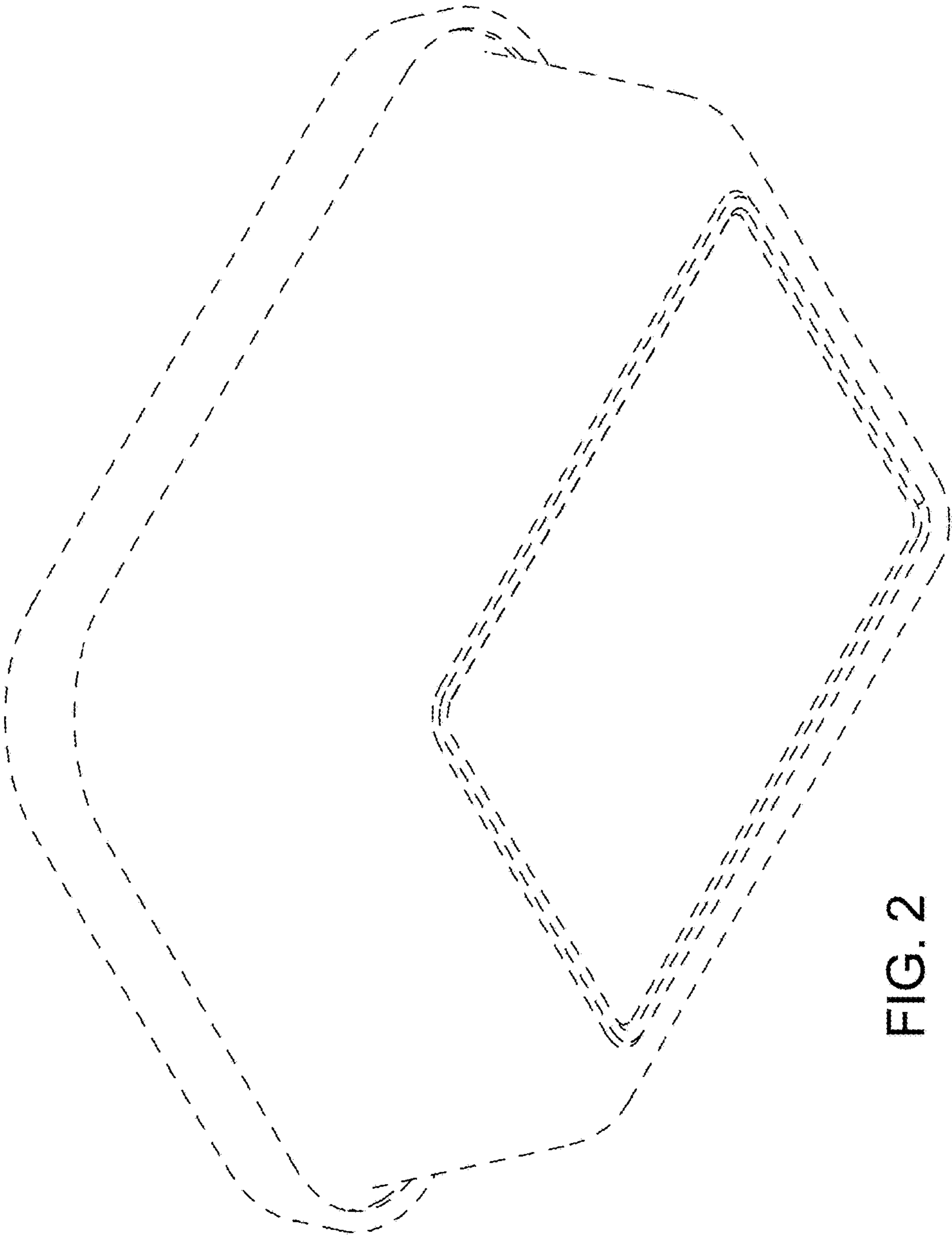


FIG. 2

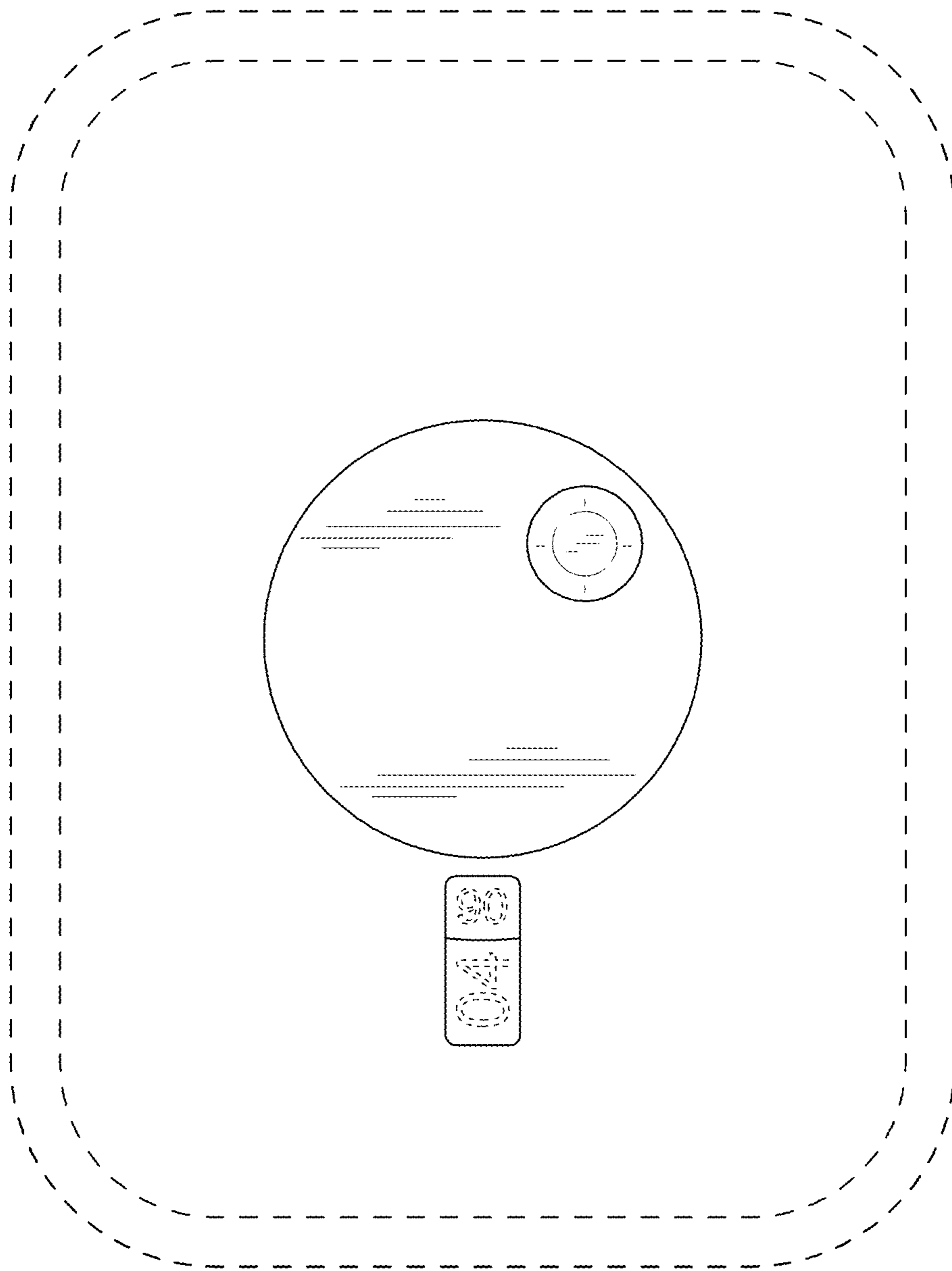


FIG. 3

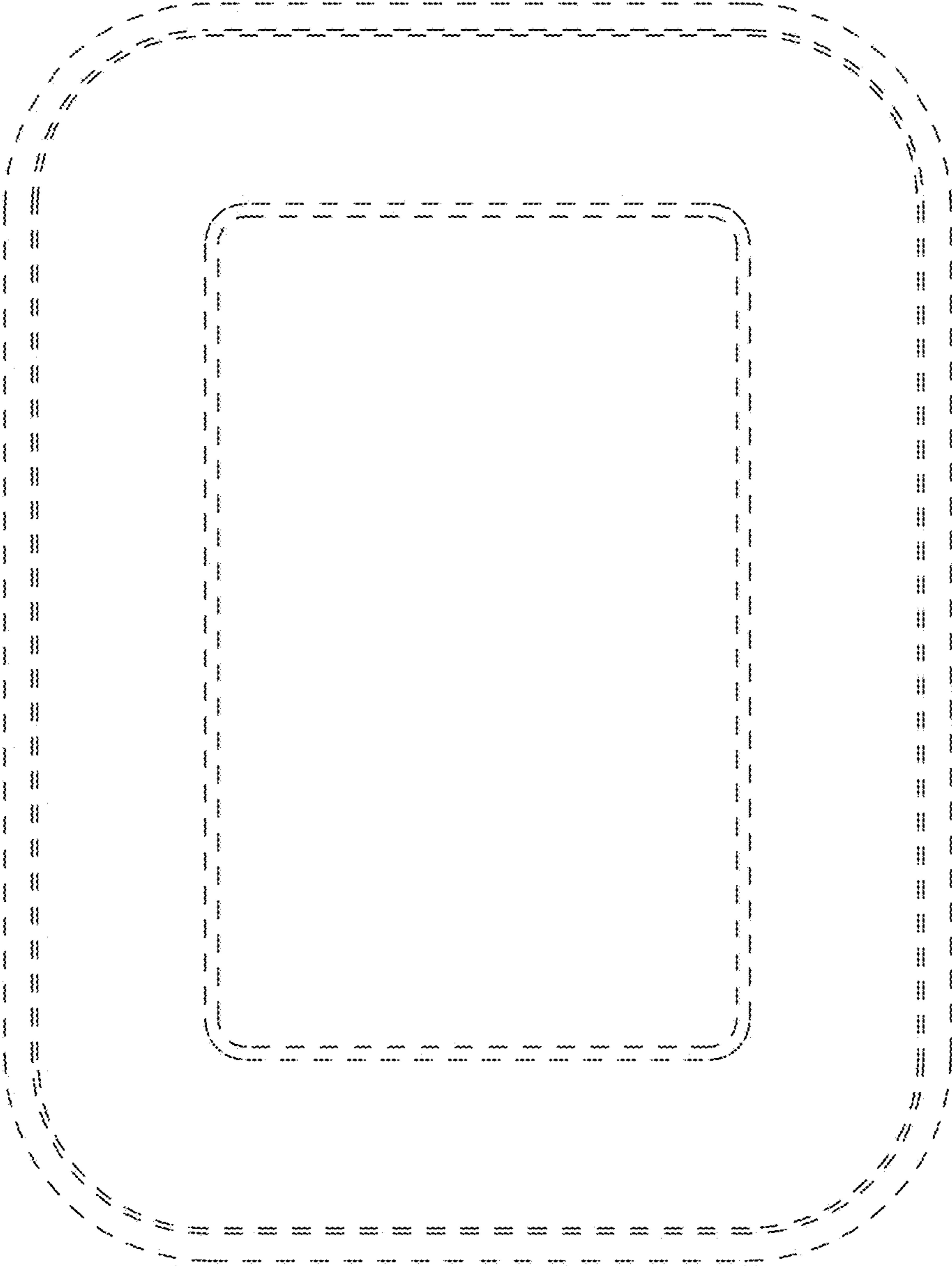


FIG. 4

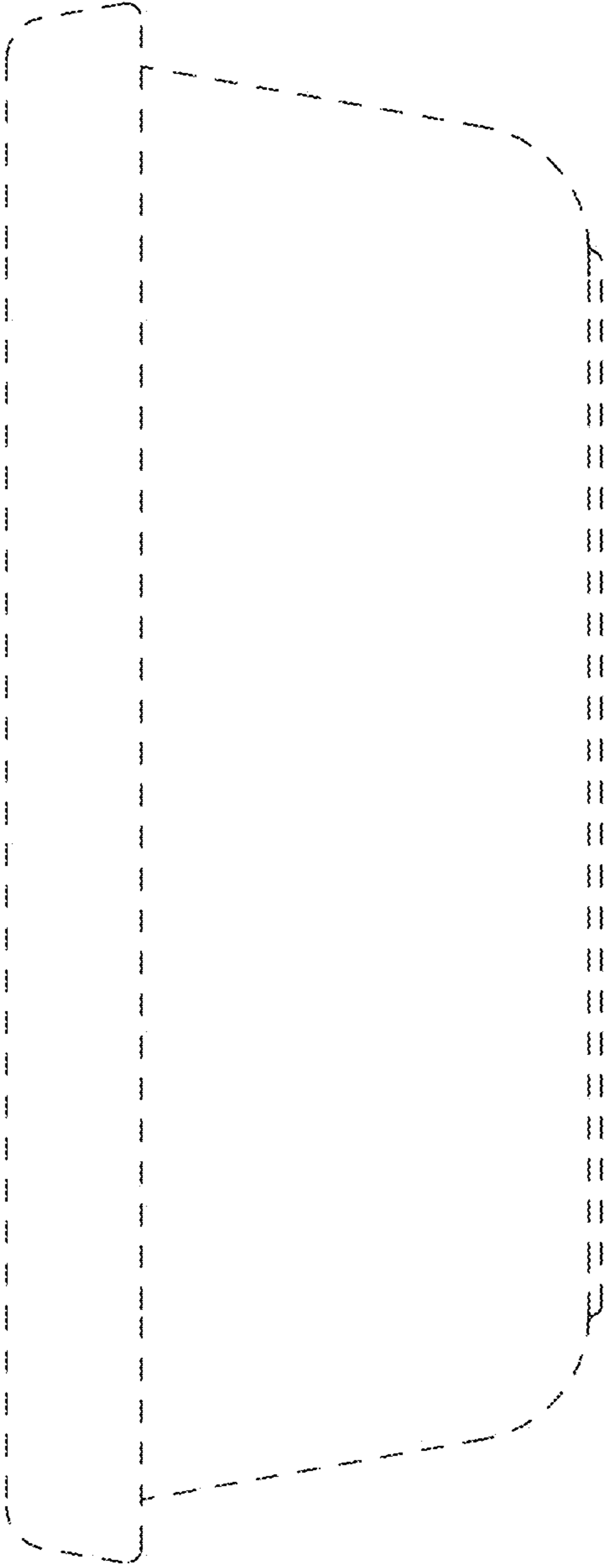


FIG. 5

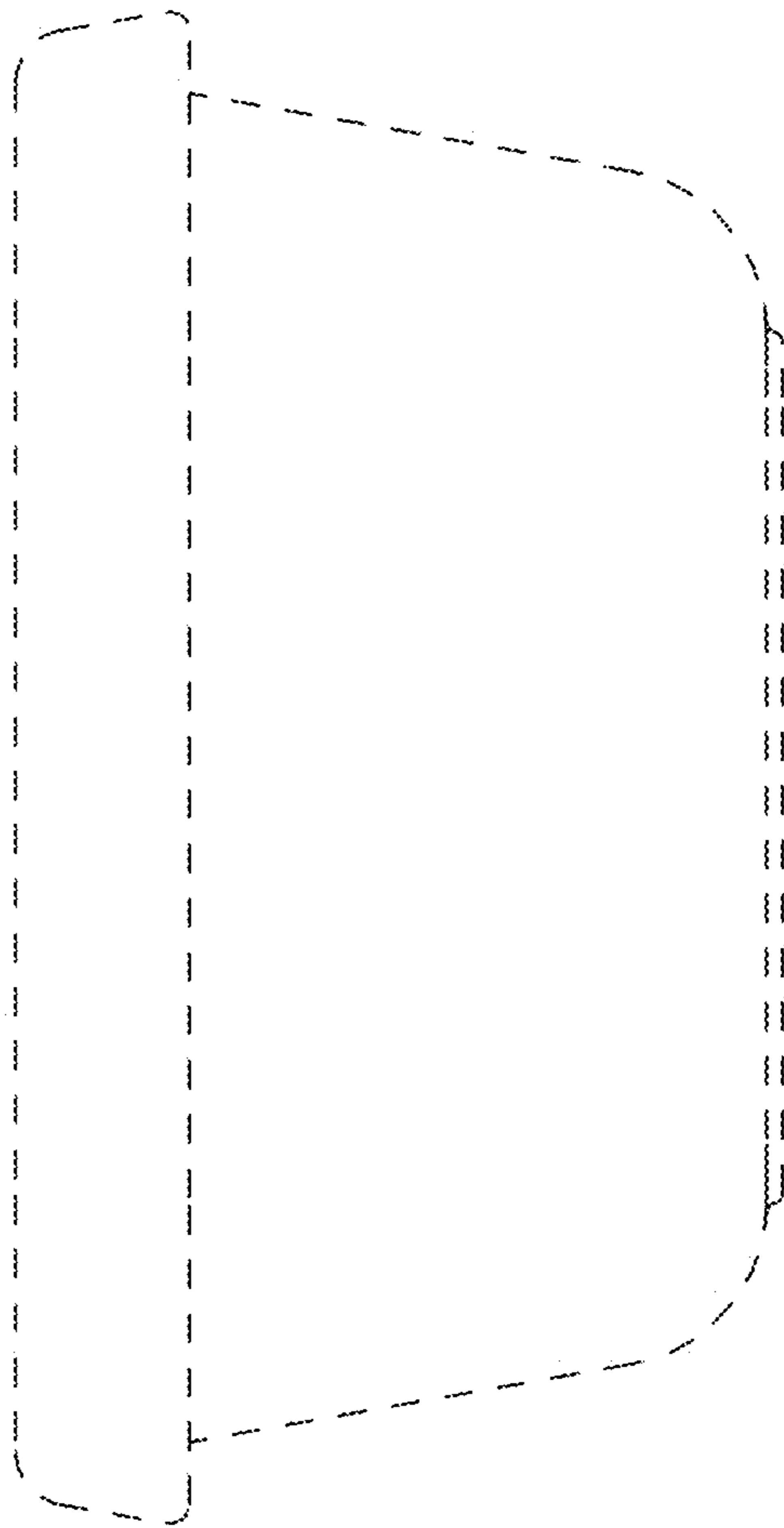


FIG. 6

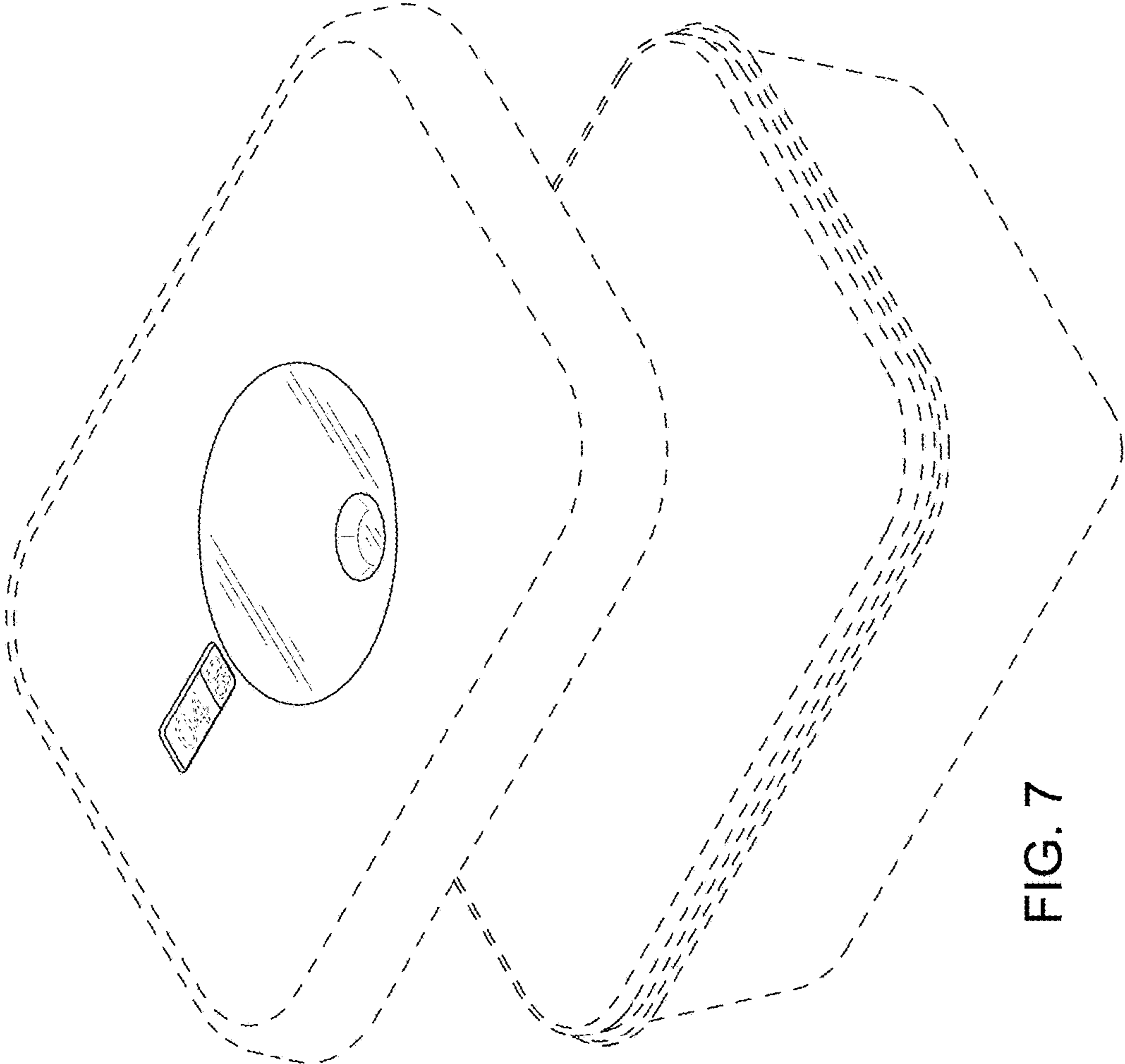


FIG. 7