



US00D814233S

(12) **United States Design Patent** (10) **Patent No.:** **US D814,233 S**  
**Burrus** (45) **Date of Patent:** **\*\* Apr. 3, 2018**

- (54) **MANUAL GRINDER**
- (71) Applicant: **Red Rooster Trading Company, LLC**,  
Baring, MO (US)
- (72) Inventor: **Justin Burrus**, Baring, MO (US)
- (73) Assignee: **Red Rooster Trading Company, LLC**,  
Baring, MO (US)
- (\*\*) Term: **15 Years**
- (21) Appl. No.: **29/585,727**
- (22) Filed: **Nov. 28, 2016**
- (51) **LOC (11) Cl.** ..... **31-00**
- (52) **U.S. Cl.**  
USPC ..... **D7/373; D7/679**
- (58) **Field of Classification Search**  
USPC ..... D7/371, 372, 376-378, 395, 669, 688,  
D7/379-386, 412, 665-668, 678-680,  
D7/682, 683, 685, 686, 373; D3/210;  
D8/18, 39-43; D10/46.2; D9/443  
CPC ... A21C 1/04; A47J 42/34; A47J 43/04; A47J  
43/044; A47J 43/0722  
See application file for complete search history.

- D415,938 S \* 11/1999 Blaise ..... D7/678  
D575,099 S \* 8/2008 Jalet ..... D7/376  
D790,292 S \* 6/2017 Keating ..... D7/381  
D799,262 S \* 10/2017 Feng ..... D7/384

**OTHER PUBLICATIONS**

Youtube. Our Favorite Way to Brew—Red Rooster Trading Company. Jan. 15, 2014 [earliest online date], [site visited Nov. 8, 2017]. Available from Internet, <URL:https://www.youtube.com/watch?v=03CkWzDeplg>. (Year: 2014).\*

Red Rooster Trading Company. 2017 [earliest online date], [site visited Nov. 8, 2017]. Available from Internet, <URL:https://www.redroostertradingcompany.com/>. (Year: 2017).\*

Red Rooster Trading Company, Camano Coffee Mill images, 2015.

\* cited by examiner

*Primary Examiner* — Robert M. Spear  
*Assistant Examiner* — Darcey E Heflin  
(74) *Attorney, Agent, or Firm* — Jeffrey L. Thompson;  
Thompson & Thompson, P.A.

(57) **CLAIM**

The ornamental design for a manual grinder, as shown and described.

**DESCRIPTION**

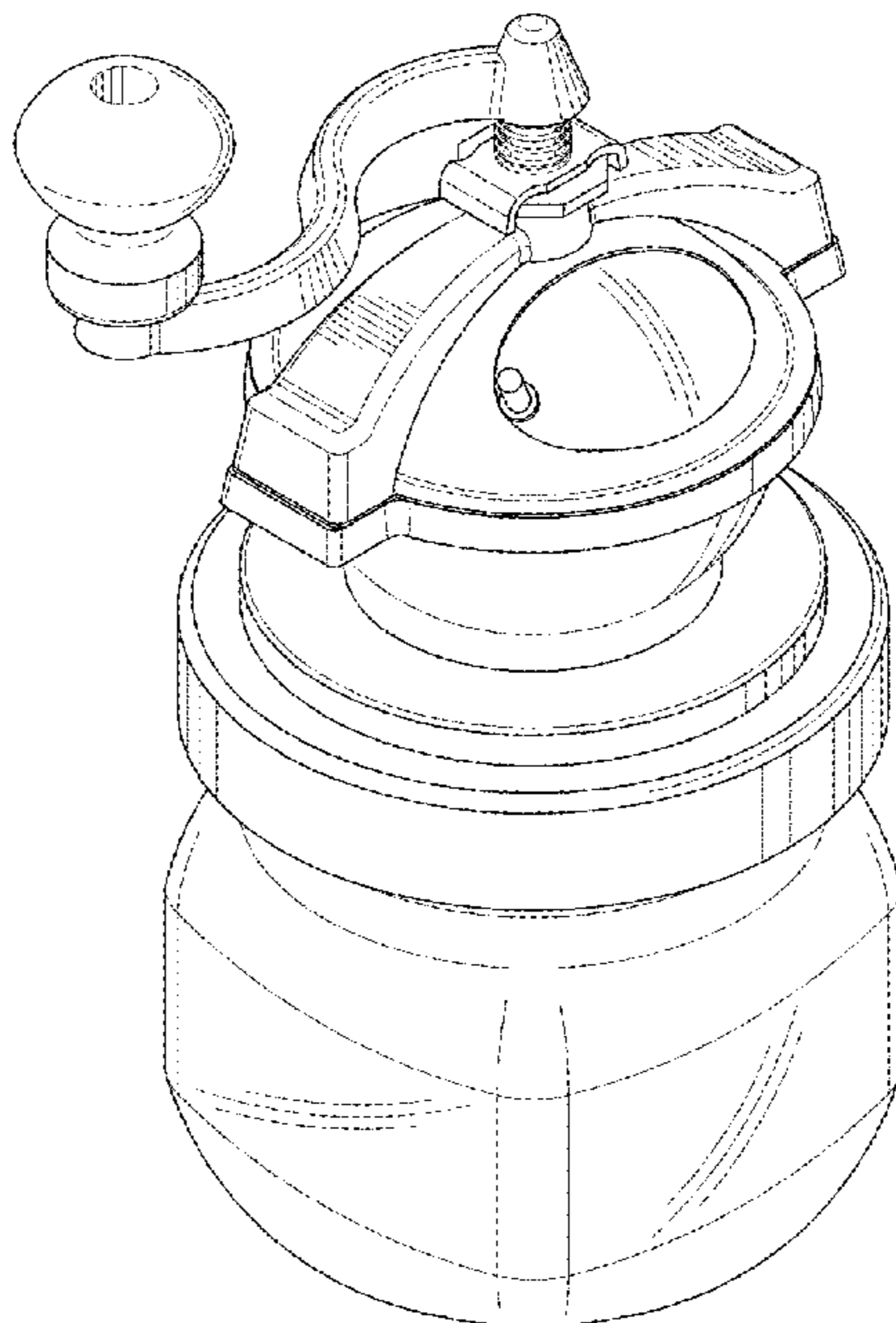
FIG. 1 is a perspective view of my new design;  
FIG. 2 is a front view thereof;  
FIG. 3 is a side view thereof;  
FIG. 4 is another side view thereof;  
FIG. 5 is a top view thereof;  
FIG. 6 is a rear view thereof; and,  
FIG. 7 is a bottom view thereof.

**1 Claim, 3 Drawing Sheets**

(56) **References Cited**

**U.S. PATENT DOCUMENTS**

- D8,597 S \* 9/1875 Girard ..... D7/679  
D150,115 S \* 7/1948 Dazey ..... D7/371  
D155,428 S \* 10/1949 Isrin ..... D7/679  
D344,215 S \* 2/1994 Jorgensen ..... D7/679  
D365,245 S \* 12/1995 Joergensen ..... D7/373  
D390,427 S \* 2/1998 Bounds ..... D7/679  
D395,194 S \* 6/1998 Wong ..... D7/376  
D397,919 S \* 9/1998 Chiu ..... D7/679



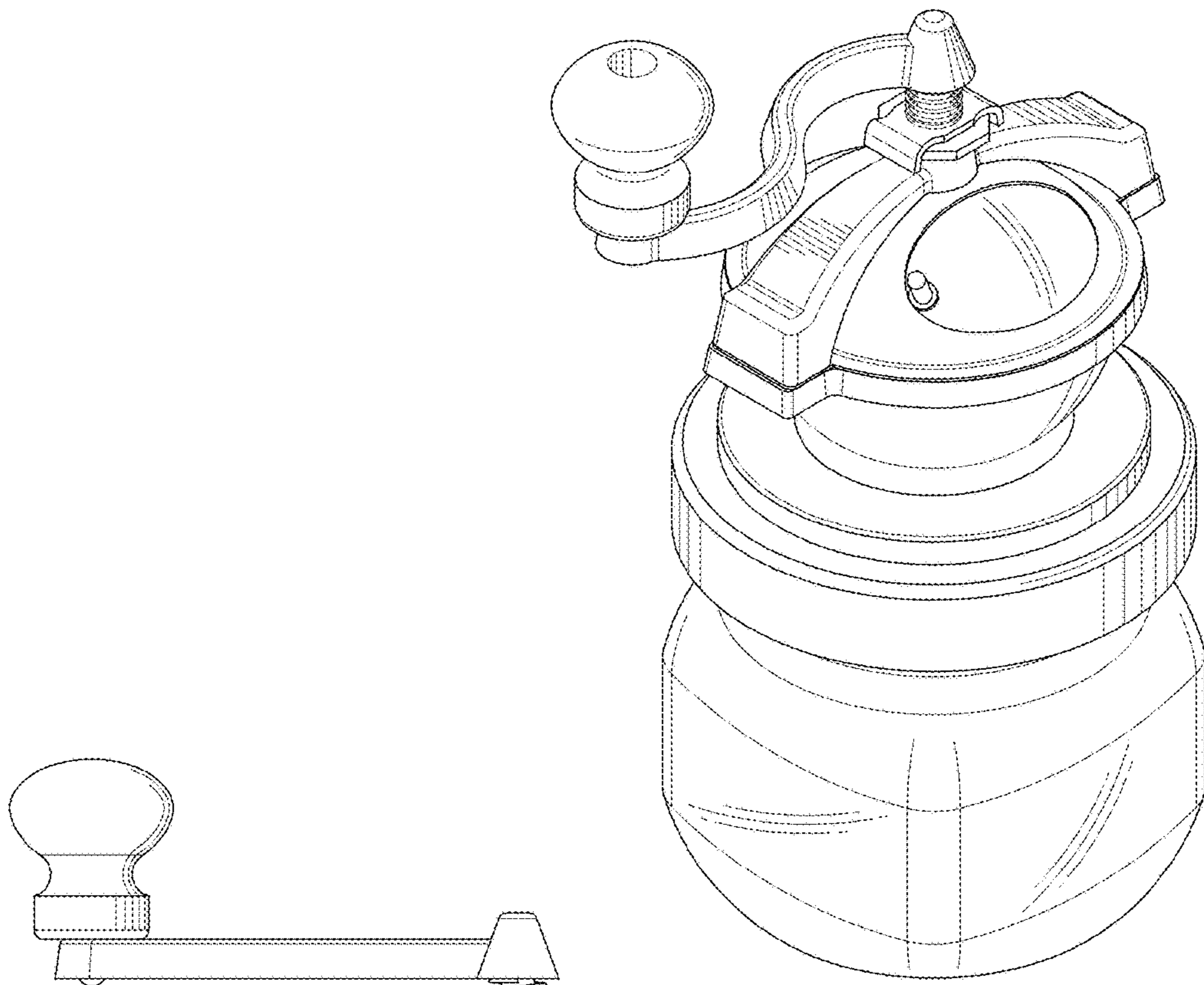


Fig. 1

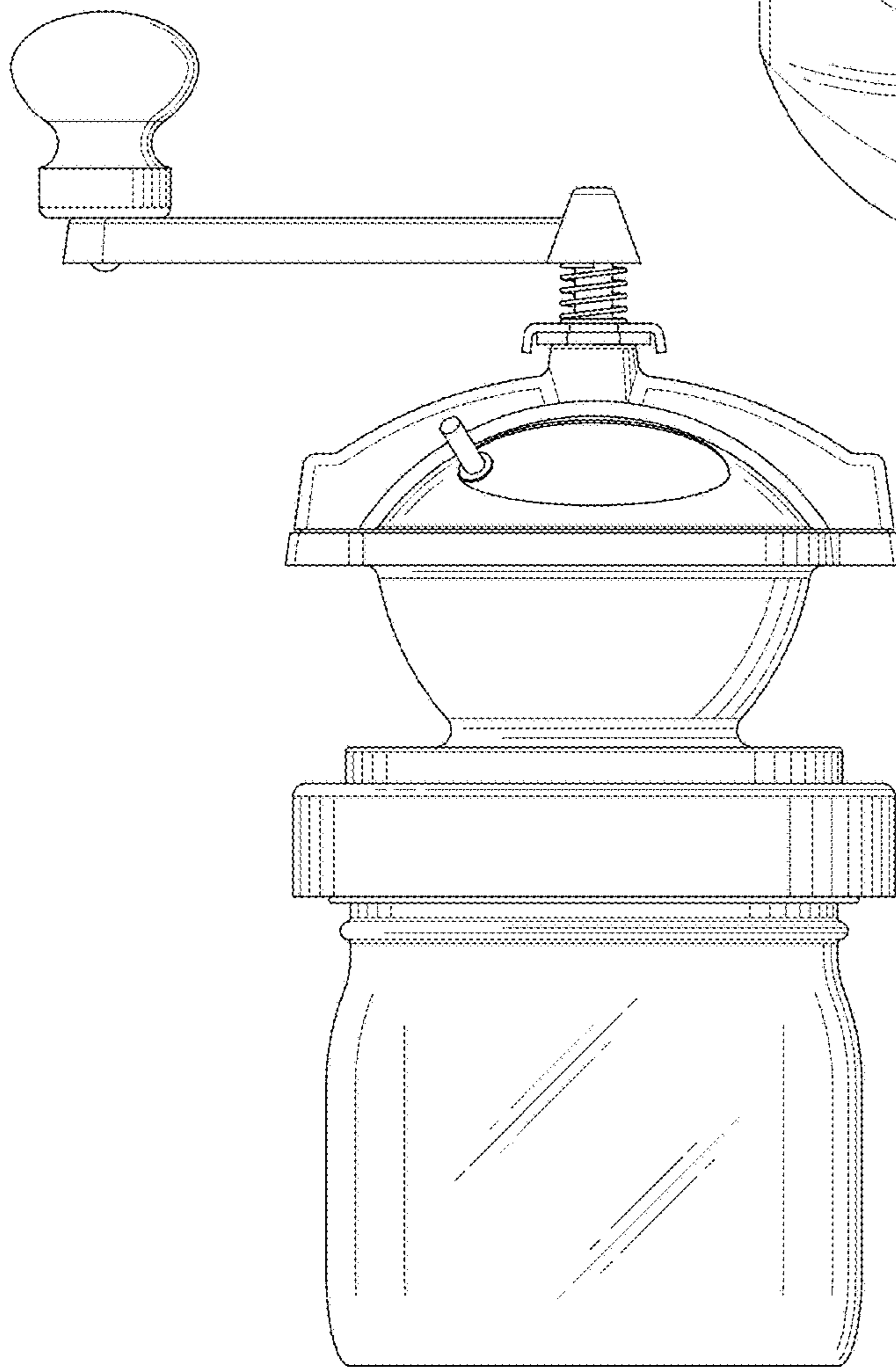


Fig. 2

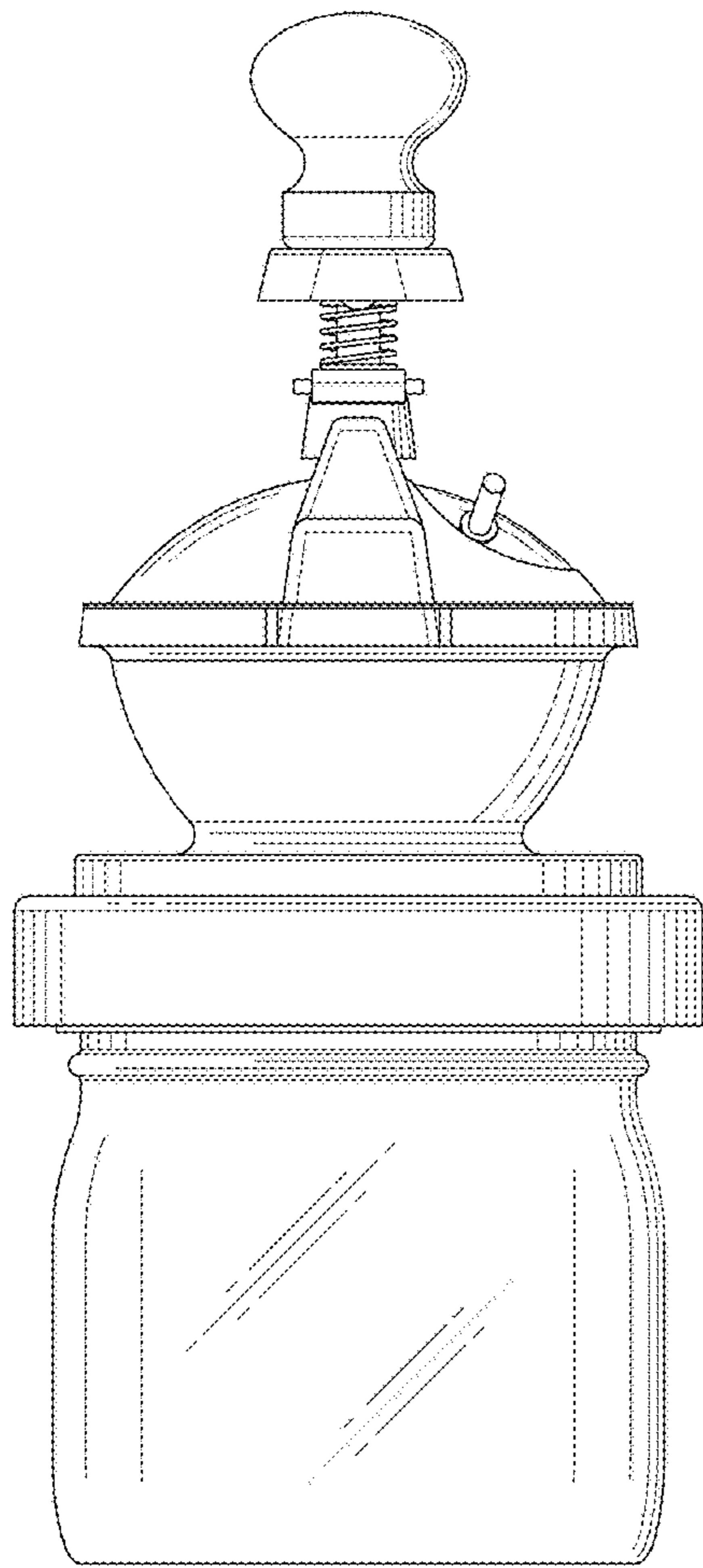


Fig. 3

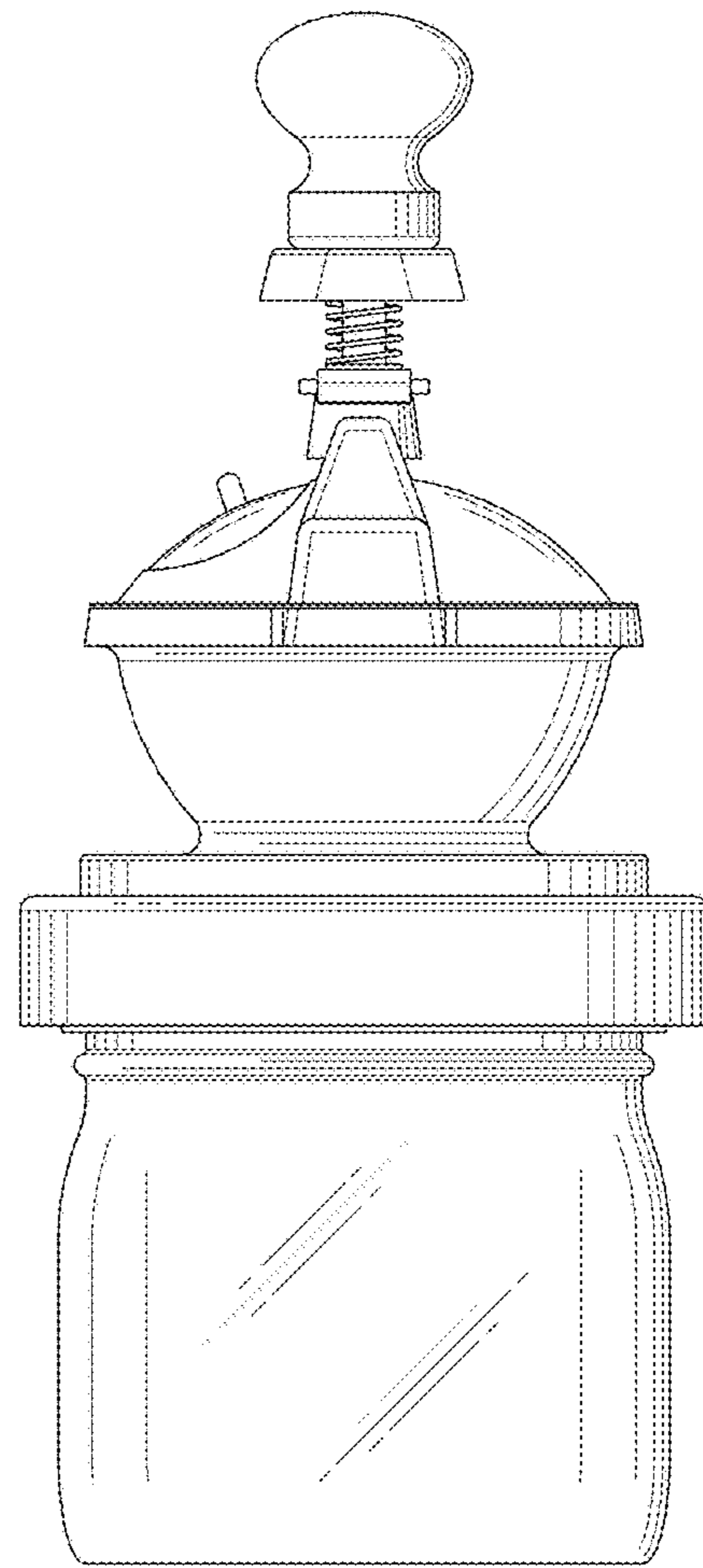


Fig. 4

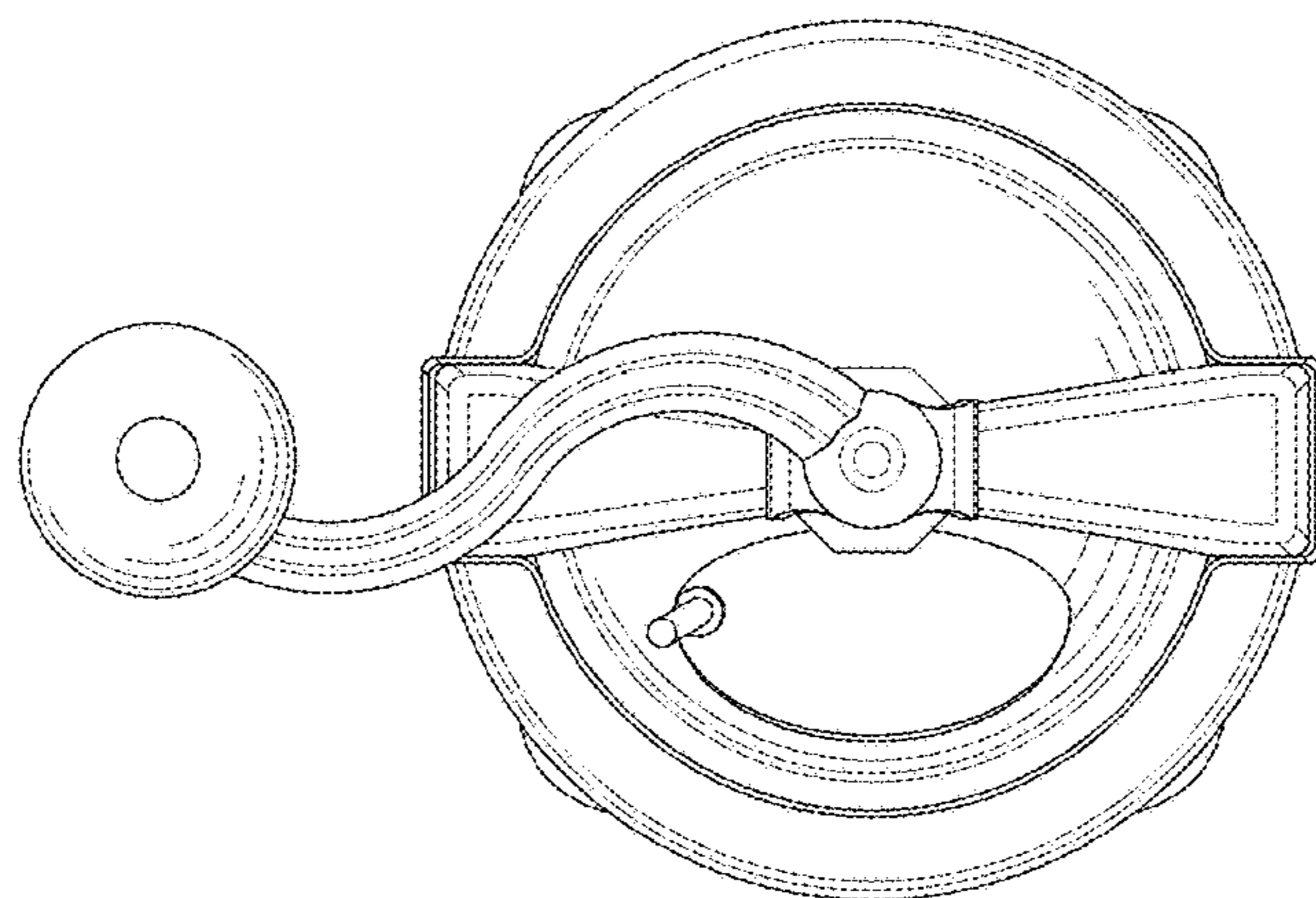


Fig. 5

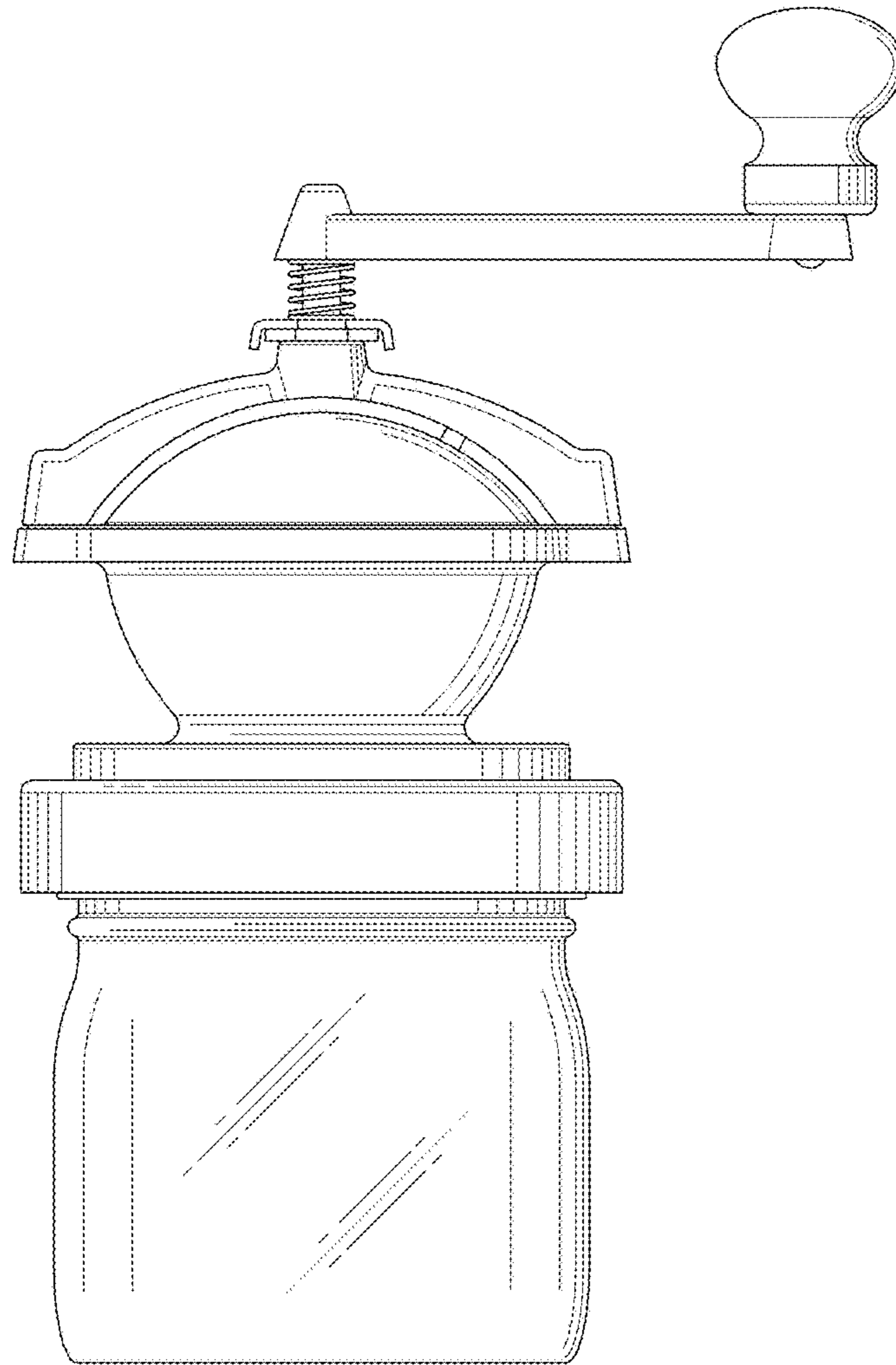


Fig. 6

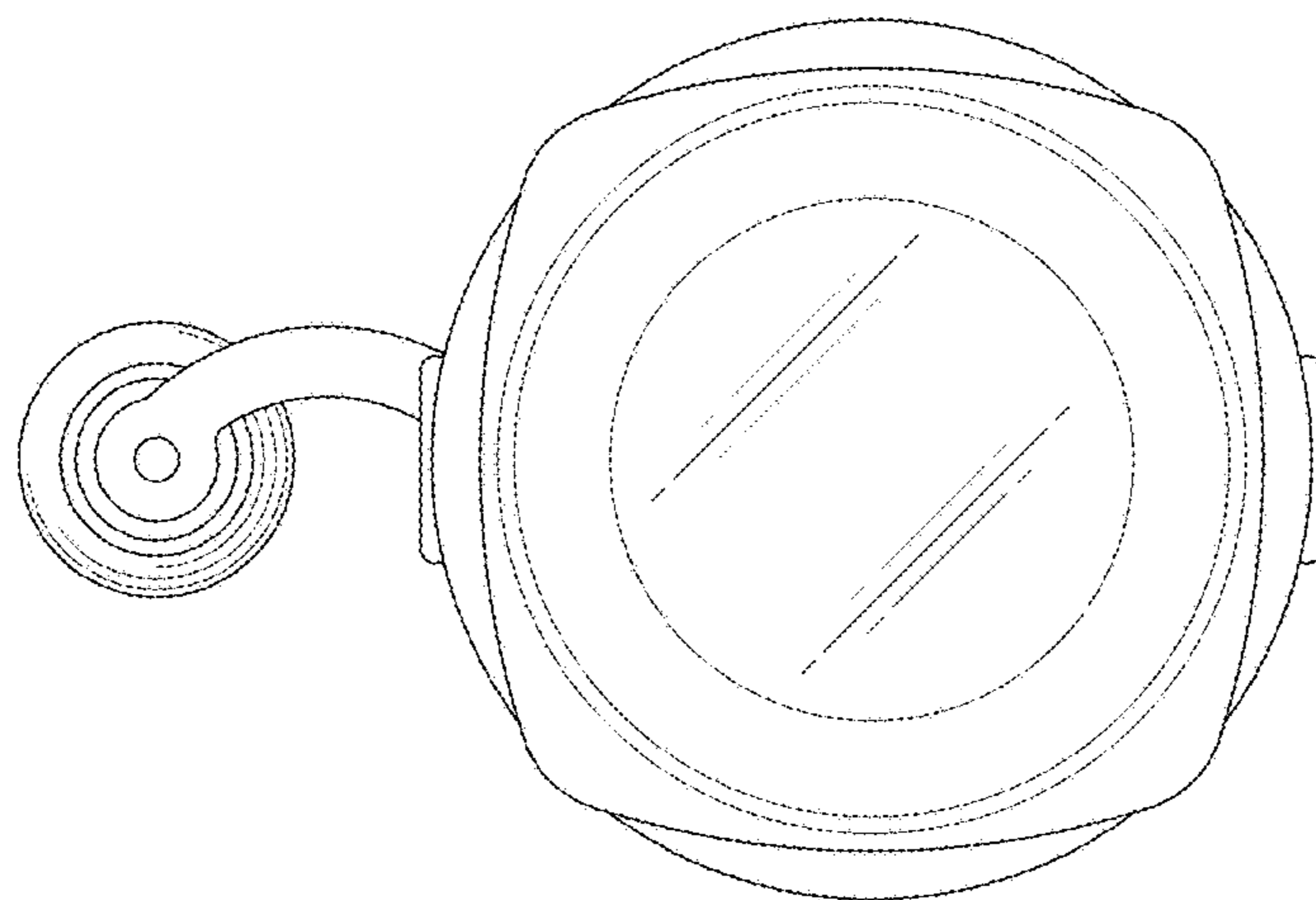


Fig. 7