



US00D814232S

(12) **United States Design Patent** (10) **Patent No.:** **US D814,232 S**
Barquin et al. (45) **Date of Patent:** **** Apr. 3, 2018**

(54) **AIR FRYER**
(71) Applicant: **Spectrum Brands, Inc.**, Middleton, WI (US)
(72) Inventors: **Francisco Javier Barquin**, Madison, WI (US); **Darek J. Koszylko**, Dane, WI (US)
(73) Assignee: **Spectrum Brands, Inc.**, Middleton, WI (US)

D436,795 S * 1/2001 Martres D7/354
D452,795 S * 1/2002 Johnson D7/354
D463,711 S * 10/2002 Josancy D7/354
D464,526 S * 10/2002 Brown D7/354
D474,937 S * 5/2003 Josancy D7/354
D475,570 S * 6/2003 Josancy D7/354
D489,935 S * 5/2004 Choi D7/354
D611,757 S * 3/2010 Reiner D7/354
D677,113 S * 3/2013 Reiner D7/354
D692,718 S * 11/2013 Verbrugge D7/354
D801,103 S * 10/2017 Krooshof D7/354

(**) Term: **15 Years**
(21) Appl. No.: **29/597,693**
(22) Filed: **Mar. 19, 2017**
(51) **LOC (11) Cl.** **07-02**
(52) **U.S. Cl.**
USPC **D7/354**
(58) **Field of Classification Search**
USPC D7/323, 354-361
CPC A23L 1/01; A23L 1/0107; A23L 1/0114;
A47J 27/00; A47J 27/08; A47J 27/09;
A47J 27/092; A47J 36/025; A47J 36/06;
A47J 36/08; A47J 36/10; A47J 36/12;
A47J 36/165; A47J 36/18; A47J 36/20;
A47J 36/22; A47J 37/00; A47J 37/12;
A47J 37/1204; A47J 37/1209; A47J
37/1214; A47J 37/1219; A47J 37/1266;
A47J 37/1285; A47J 37/129; A47J
37/1295; G07F 17/0064; G07F 17/0078;
G07F 17/0085; H05B 6/02; H05B 6/06;
H05B 6/12
See application file for complete search history.

(56) **References Cited**
U.S. PATENT DOCUMENTS
D410,815 S * 6/1999 Oger D7/354
D422,447 S * 4/2000 Josancy D7/354

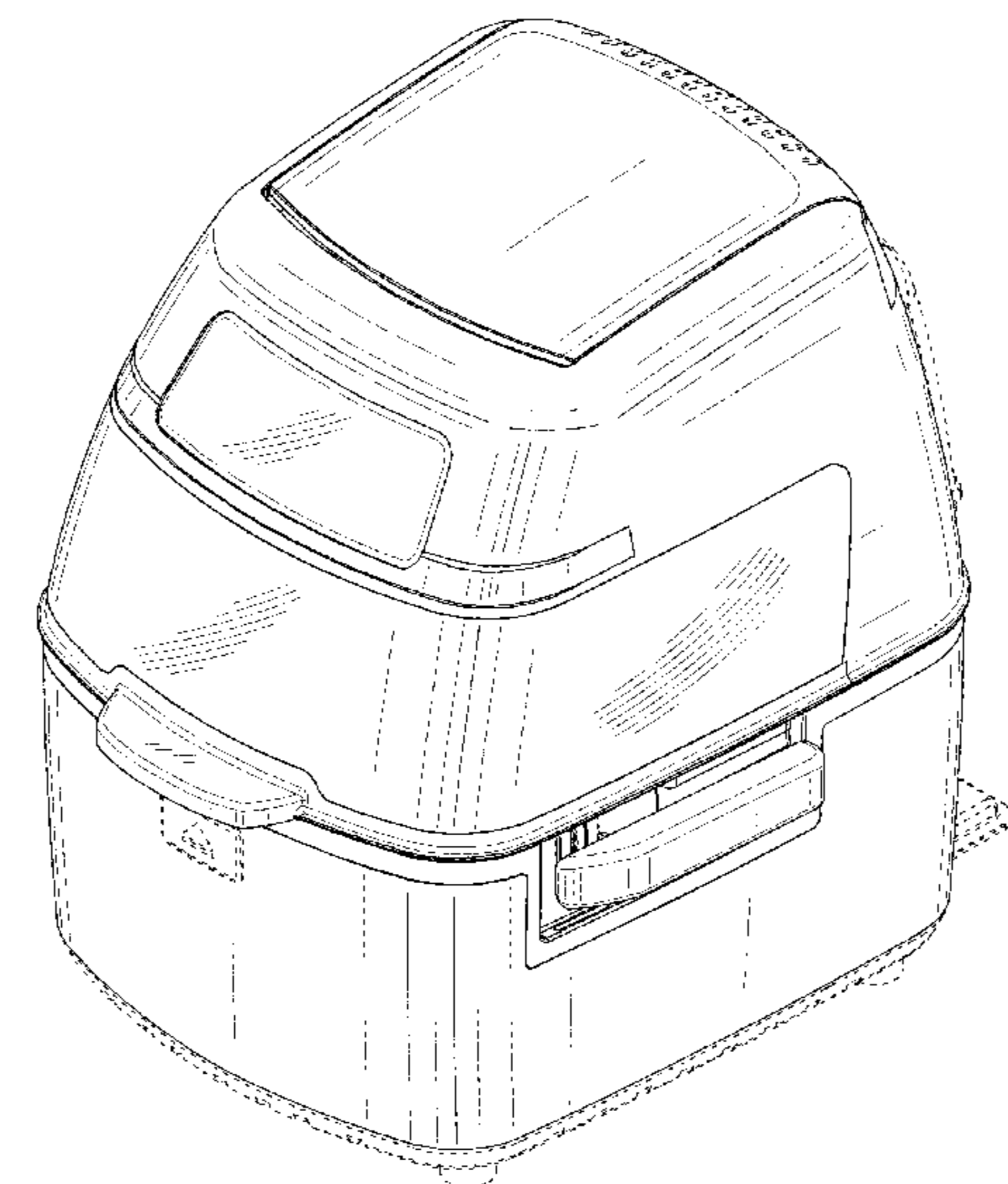
OTHER PUBLICATIONS
“PuriFry Air Fryer,” Black and Decker; disclosure date unknown but prior to filing date of present application; <URL: <http://www.blackanddecker.com/en-us/products/small-appliances/kitchen/cooking/purifry-air-fryer/hf110sbd>>.

* cited by examiner
Primary Examiner — Ricky Pham
(74) *Attorney, Agent, or Firm* — Banner & Witcoff, Ltd.

(57) **CLAIM**
The ornamental design for an air fryer, as shown and described.

DESCRIPTION
FIG. 1 is a front perspective view of an air fryer showing our new design;
FIG. 2 is a front view thereof;
FIG. 3 is a rear view thereof;
FIG. 4 is a right side view thereof;
FIG. 5 is a left side view thereof;
FIG. 6 is a top view thereof; and,
FIG. 7 is a bottom view thereof.
The broken line showing of the various unshaded elements of the air fryer represents unclaimed subject matter and forms no part of the claimed design.

1 Claim, 7 Drawing Sheets



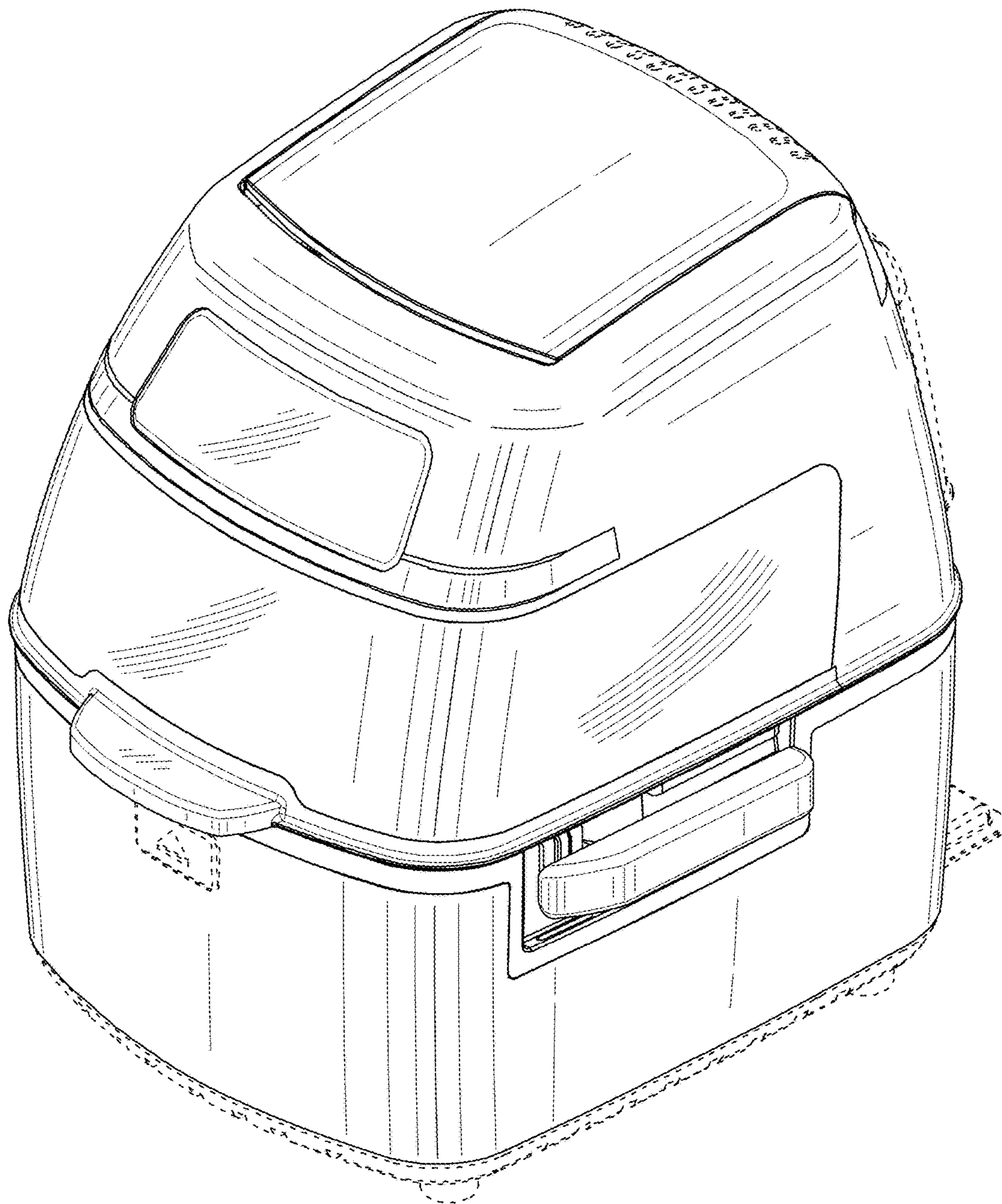


FIG. 1

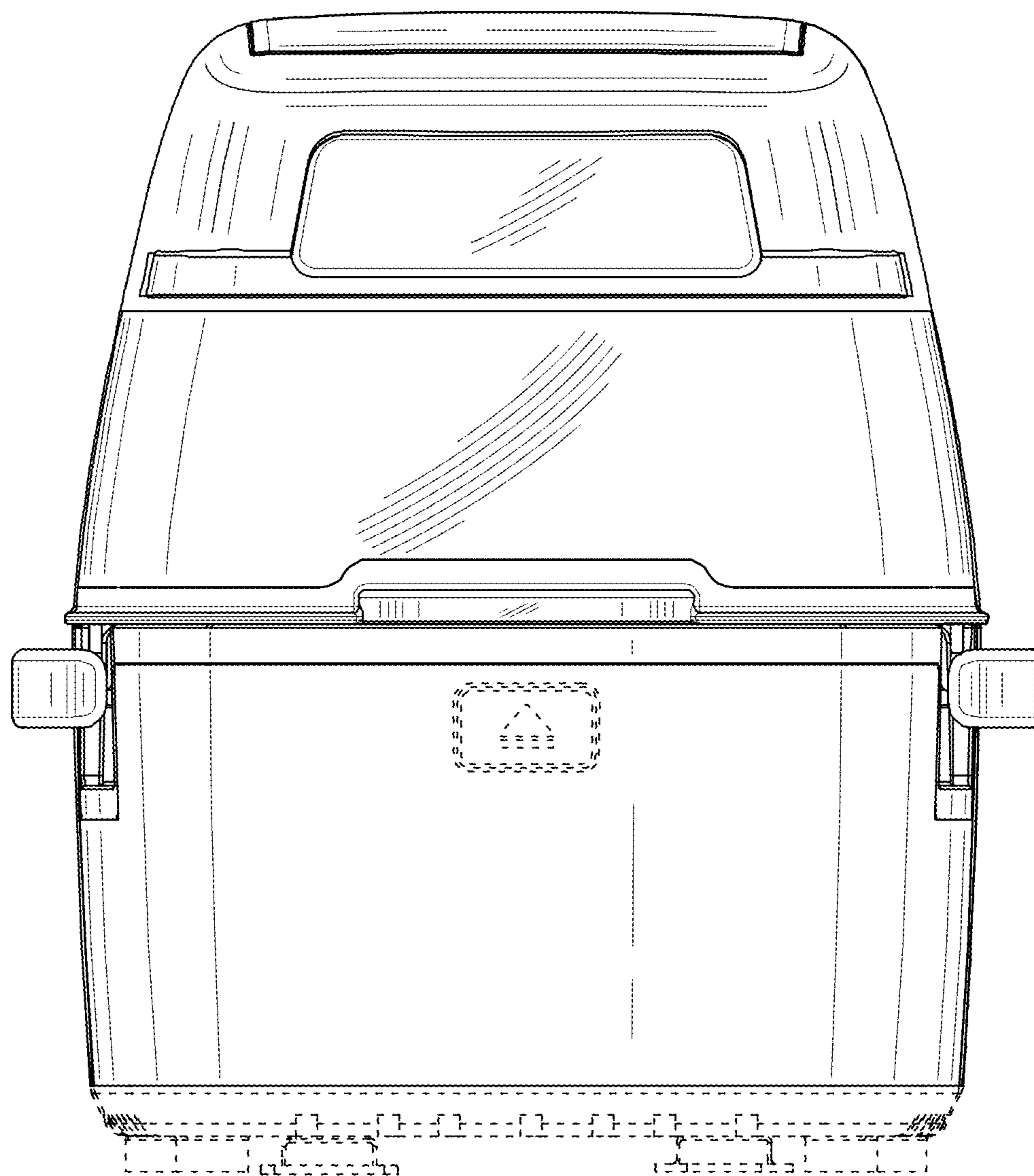


FIG. 2

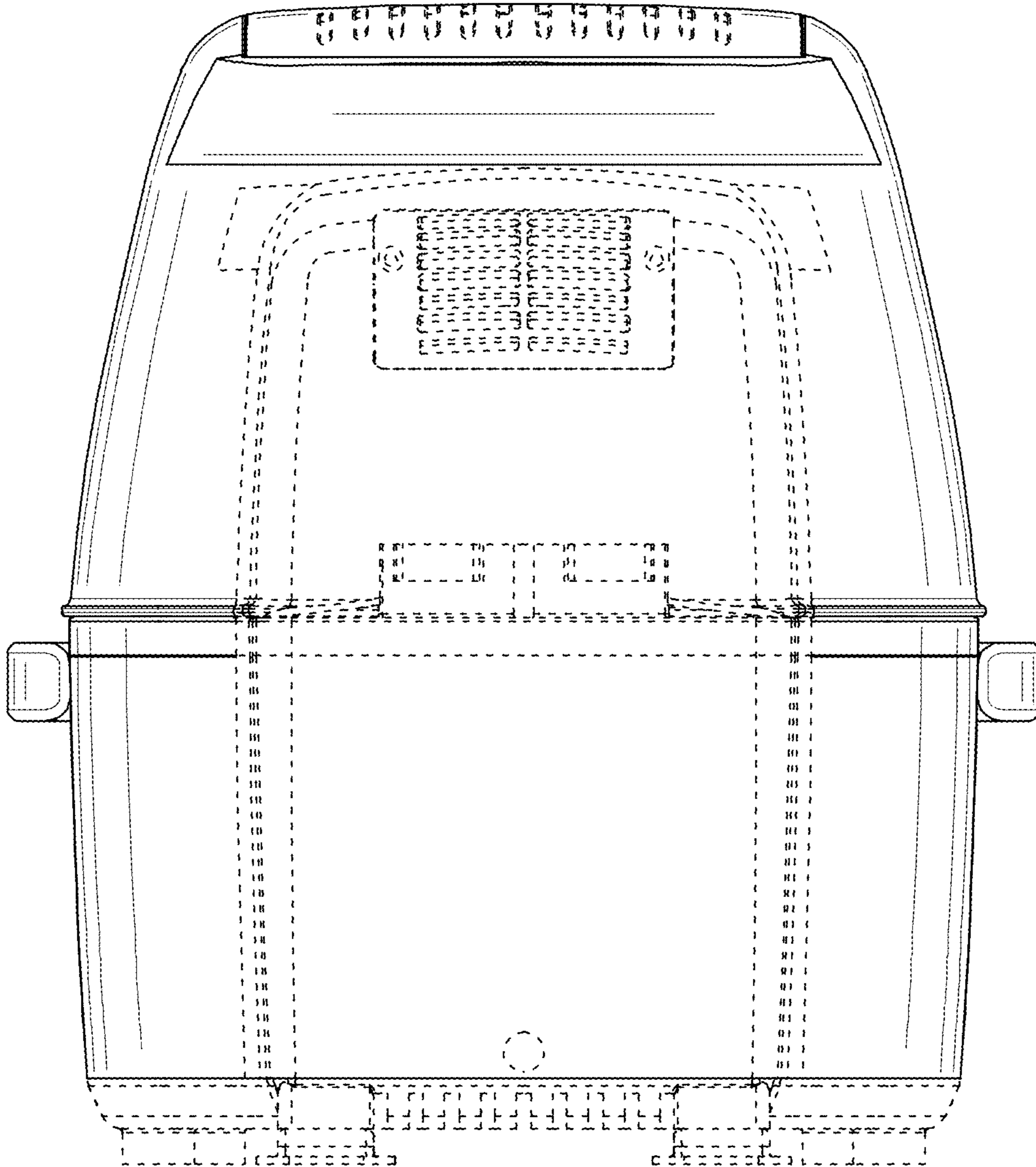


FIG. 3

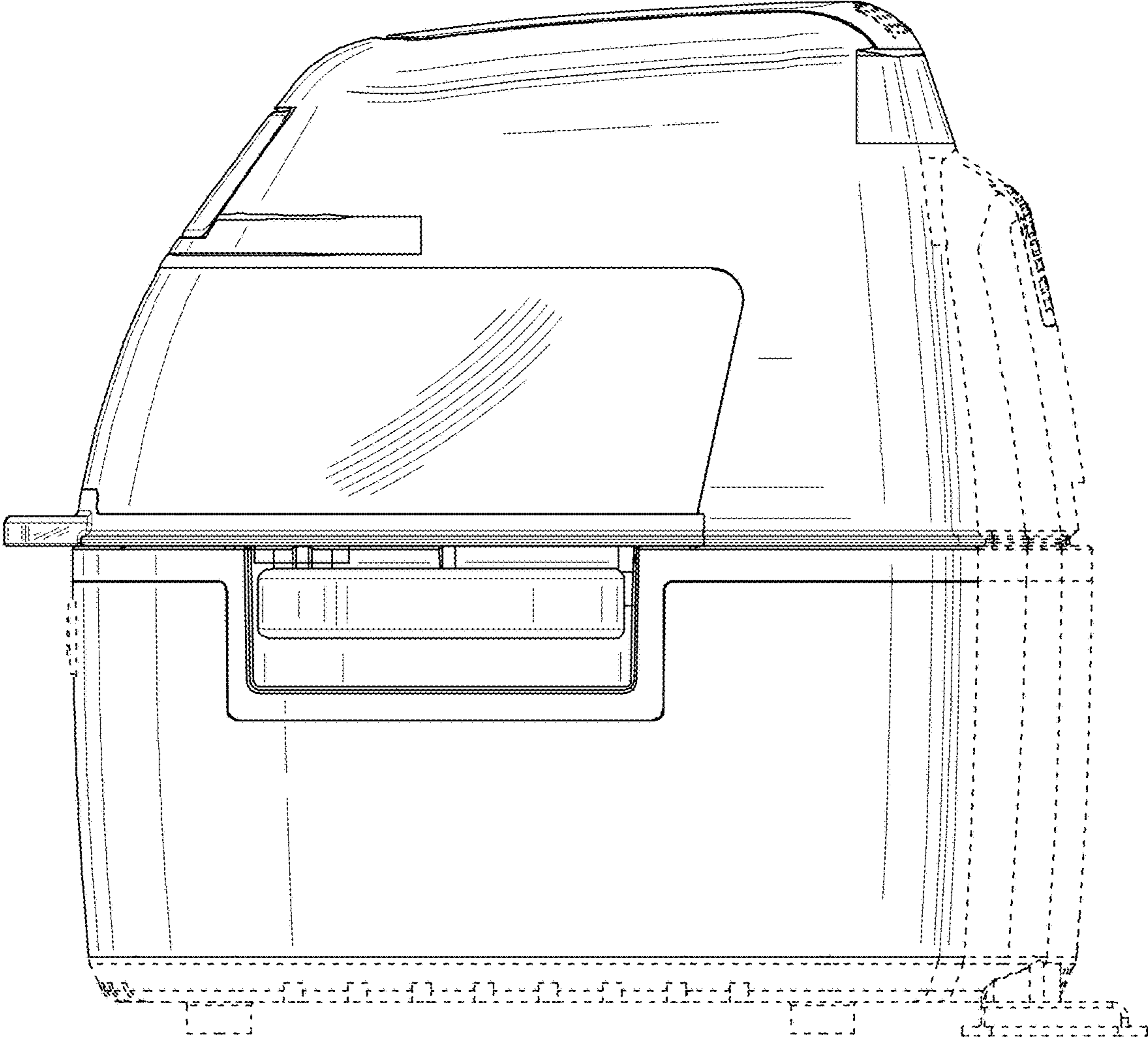


FIG. 4

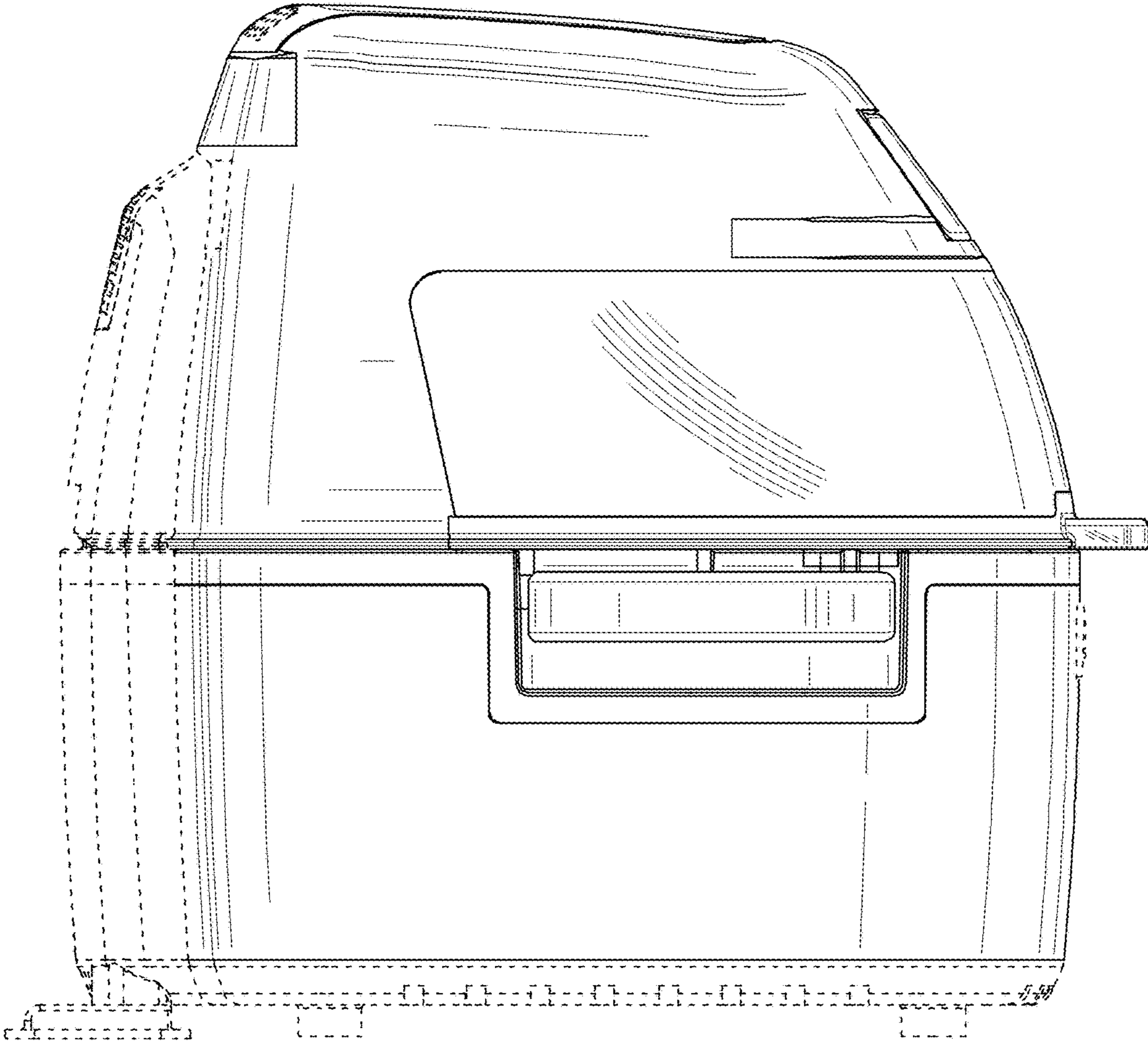


FIG. 5

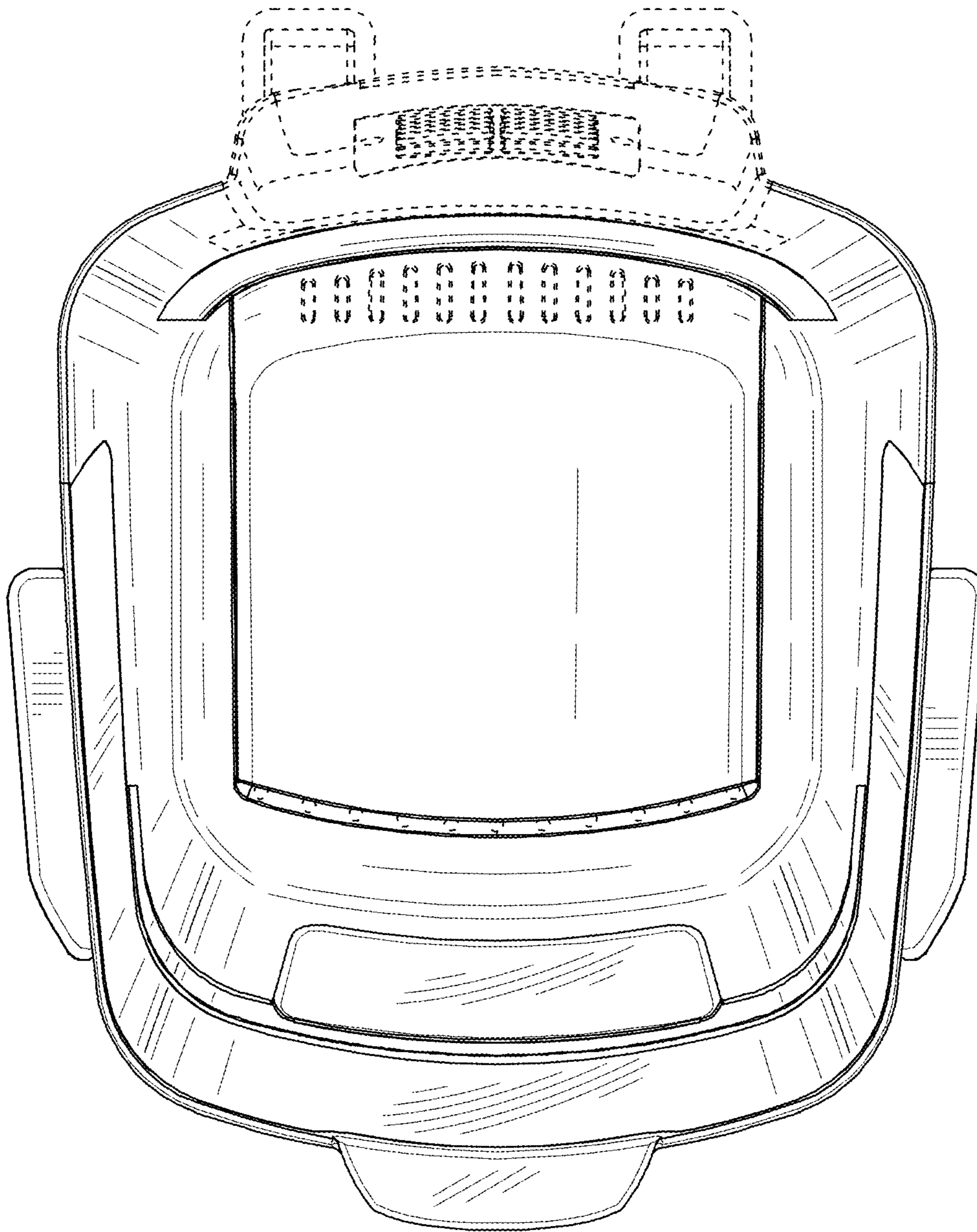


FIG. 6

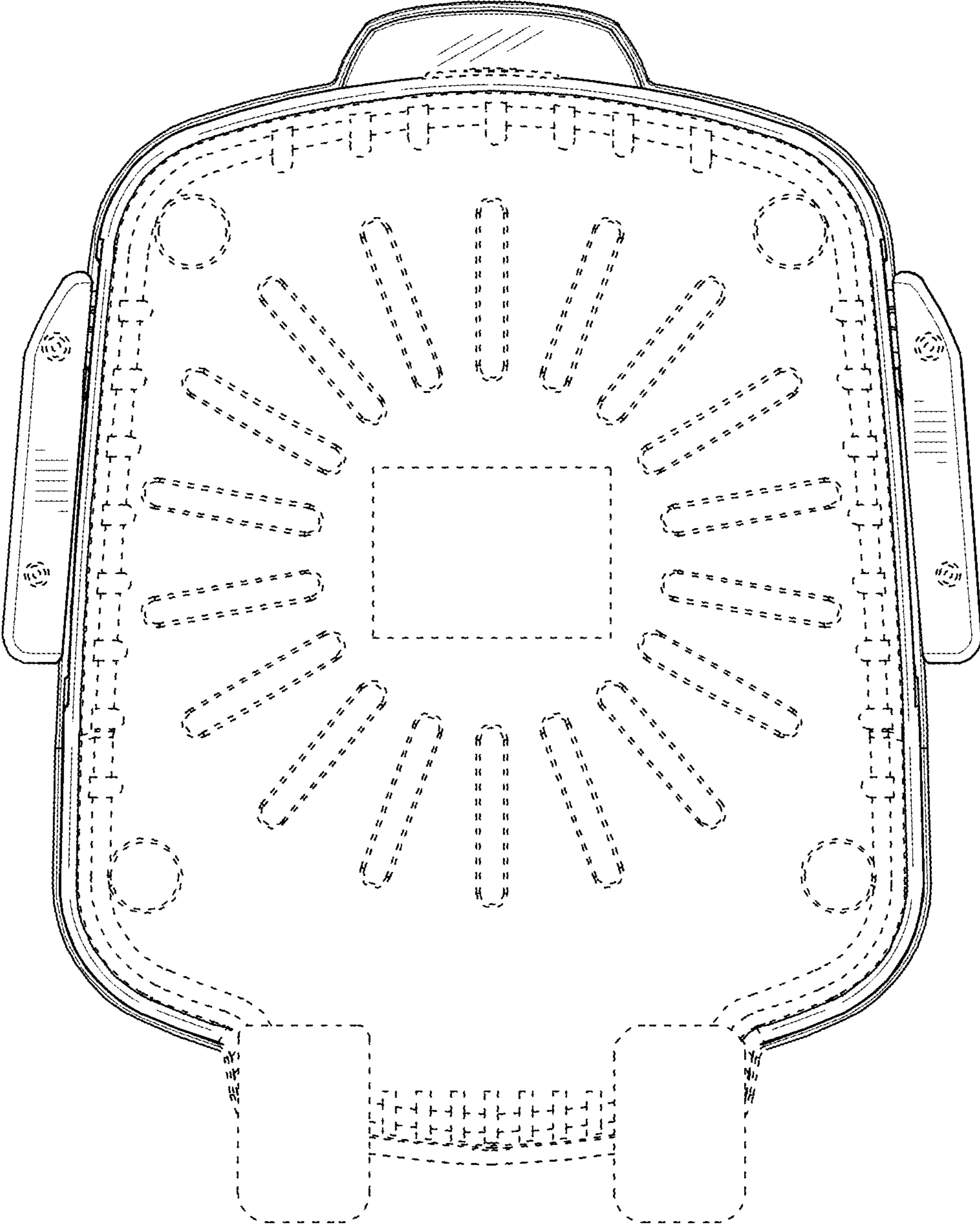


FIG. 7