



US00D814231S

(12) **United States Design Patent** (10) **Patent No.:** **US D814,231 S**  
**Kim et al.** (45) **Date of Patent:** **\*\* Apr. 3, 2018**

(54) **OVEN**

(71) Applicant: **Samsung Electronics Co., Ltd.**,  
Suwon-si (KR)

(72) Inventors: **Jae-Jun Kim**, Seoul (KR); **Jae-Moon Lee**, Seoul (KR); **Hyeong-Ju Seo**, Seoul (KR); **Woo-Joo Choi**, Ahnyang-si (KR); **Jong-Su Jeon**, Seoungnam-si (KR); **Hwan-Woong Choi**, Seoul (KR)

(73) Assignee: **Samsung Electronics Co., Ltd.**,  
Suwon-si (KR)

(\*\*) Term: **15 Years**

(21) Appl. No.: **29/580,805**

(22) Filed: **Oct. 13, 2016**

(30) **Foreign Application Priority Data**

May 31, 2016 (KR) ..... 30-2016-0026245

(51) **LOC (11) Cl.** ..... **07-02**

(52) **U.S. Cl.**  
USPC ..... **D7/349**

(58) **Field of Classification Search**

USPC ..... D7/323, 328–330, 339–349, 390,  
D7/402–406; D21/523–524;  
D8/300–306

CPC ... A21B 2/00; A47J 37/00; A47J 37/06; A47J  
37/0611; A47J 37/08; A47J 37/0807;  
A47J 37/0814; A47J 37/0835; A47J  
37/0842; A47J 37/085; A47J 37/0864;  
A47J 37/0878; A47J 37/0885; A47J  
37/0892; F24C 7/00; F24C 7/002; F24C  
7/046; F24C 7/067;

(Continued)

(56) **References Cited**

U.S. PATENT DOCUMENTS

3,974,696 A \* 8/1976 Fitzmayer ..... A47J 37/00  
219/712

D530,151 S \* 10/2006 Huxhold ..... D7/405  
(Continued)

FOREIGN PATENT DOCUMENTS

CN 304109525 \* 10/2016

EM 001973850-0046 1/2012  
(Continued)

OTHER PUBLICATIONS

30" Single Wall Oven with Flex Duo™, posted at Samsung.com, posted on © 1995-2017, site visited Oct. 25, 2017, <<https://www.samsung.com/us/home-appliances/wall-ovens/single/nv51k7770ss-aa-nv51k7770ss-aa/>>.\*

(Continued)

*Primary Examiner* — Barbara Fox

*Assistant Examiner* — Messina L Smith

(74) *Attorney, Agent, or Firm* — NSIP Law

(57) **CLAIM**

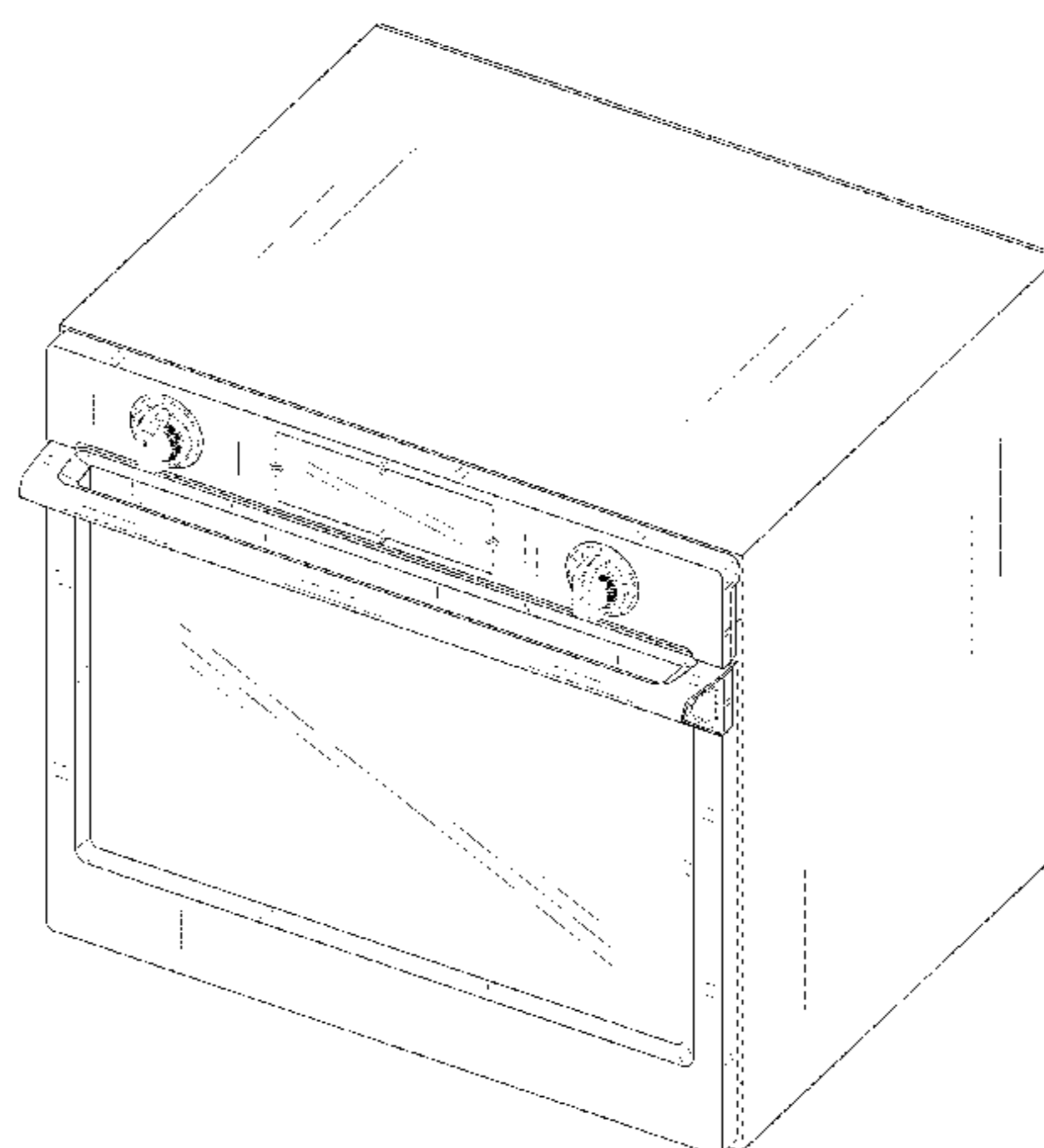
We claim the ornamental design for an oven, as shown and described.

**DESCRIPTION**

FIG. 1 is a front perspective view of an oven showing our new design;  
 FIG. 2 is a front view thereof;  
 FIG. 3 is a rear view thereof;  
 FIG. 4 is a left-side view thereof;  
 FIG. 5 is a right-side view thereof;  
 FIG. 6 is a top view thereof; and,  
 FIG. 7 is a bottom view thereof.

The broken lines in the drawings illustrate portions of the oven that form no part of the claimed design.  
 The oven screen is shown with symbolic breaks in its length.  
 The appearance of any portion of the article between the break lines forms no part of the claimed design.

**1 Claim, 7 Drawing Sheets**



(58) **Field of Classification Search**  
 CPC ..... F24C 15/04; F24C 15/10; F24C 15/102;  
 F24C 15/107  
 See application file for complete search history.

D789,740 S \* 6/2017 Shoemaker ..... D7/406  
 D794,389 S \* 8/2017 Hessen ..... D7/405  
 2013/0319394 A1\* 12/2013 Yantis ..... F24C 15/006  
 126/194  
 2017/0205080 A1\* 7/2017 Kuhn ..... F24C 15/04

(56) **References Cited**

U.S. PATENT DOCUMENTS

D534,035 S \* 12/2006 Huxhold ..... D7/405  
 D580,698 S \* 11/2008 Kim ..... D7/348  
 D604,988 S \* 12/2009 Yalcin ..... D7/349  
 D690,994 S \* 10/2013 Baek ..... D7/405  
 D741,104 S \* 10/2015 Funnell, II ..... D7/348  
 D748,424 S \* 2/2016 Funnell, II ..... D7/348  
 D750,414 S \* 3/2016 Funnell, II ..... D7/348  
 D762,086 S \* 7/2016 Kim ..... D7/405  
 D762,415 S \* 8/2016 Chung ..... D7/405  
 D770,839 S \* 11/2016 Shoemaker ..... D7/348  
 D779,262 S \* 2/2017 Kim ..... D7/348  
 D781,097 S \* 3/2017 Kim ..... D7/348  
 D781,636 S \* 3/2017 Kim ..... D7/348  
 D784,752 S \* 4/2017 Funnell, II ..... D7/348  
 D786,611 S \* 5/2017 Funnell, II ..... D7/348  
 D787,878 S \* 5/2017 Kim ..... D7/348  
 D787,879 S \* 5/2017 Kim ..... D7/348

FOREIGN PATENT DOCUMENTS

KR 30-2010-0033555 3/2012  
 WO DM/083349 8/2014

OTHER PUBLICATIONS

30 Inch 5.1 cu. ft. Total Capacity Electric Single Wall Oven, posted at Appliancesconnection.com, no posting date given, site visited Oct. 25, 2017, <<https://www.appliancesconnection.com/samsung-nv51k7770ss.html>>.\*  
 30 in. Single Electric Wall Oven, posted at Homedepot.com, posted on Nov. 1, 2016, site visited Oct. 25, 2017, <<https://www.homedepot.com/p/Samsung-30-in-Single-Electric-Wall-Oven-Self-Cleaning-with-Steam-Cooking-and-Dual-Convection-in-Black-Stainless-NV51K7770SG/300378745>>.\*

\* cited by examiner

FIG. 1

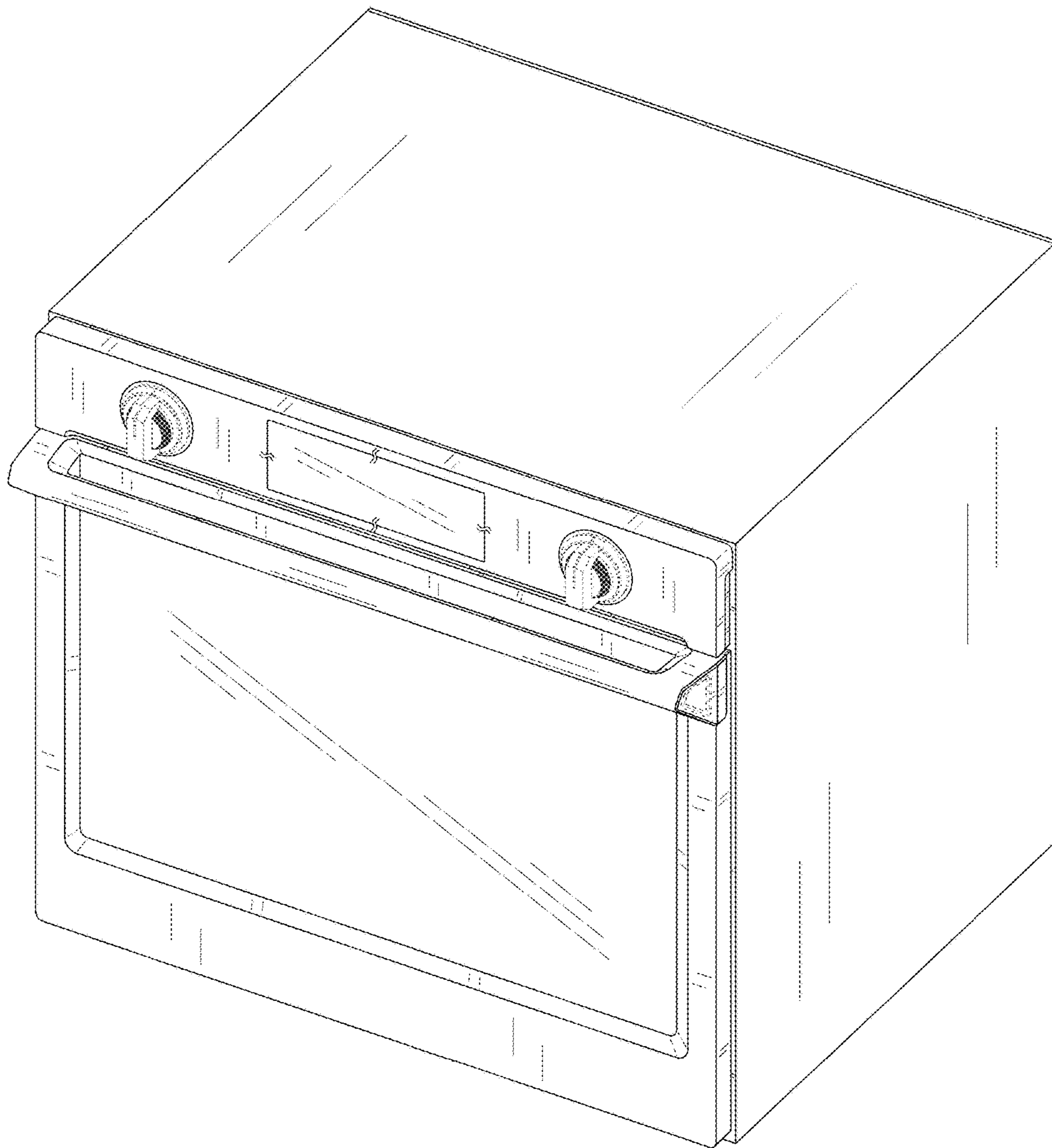


FIG. 2

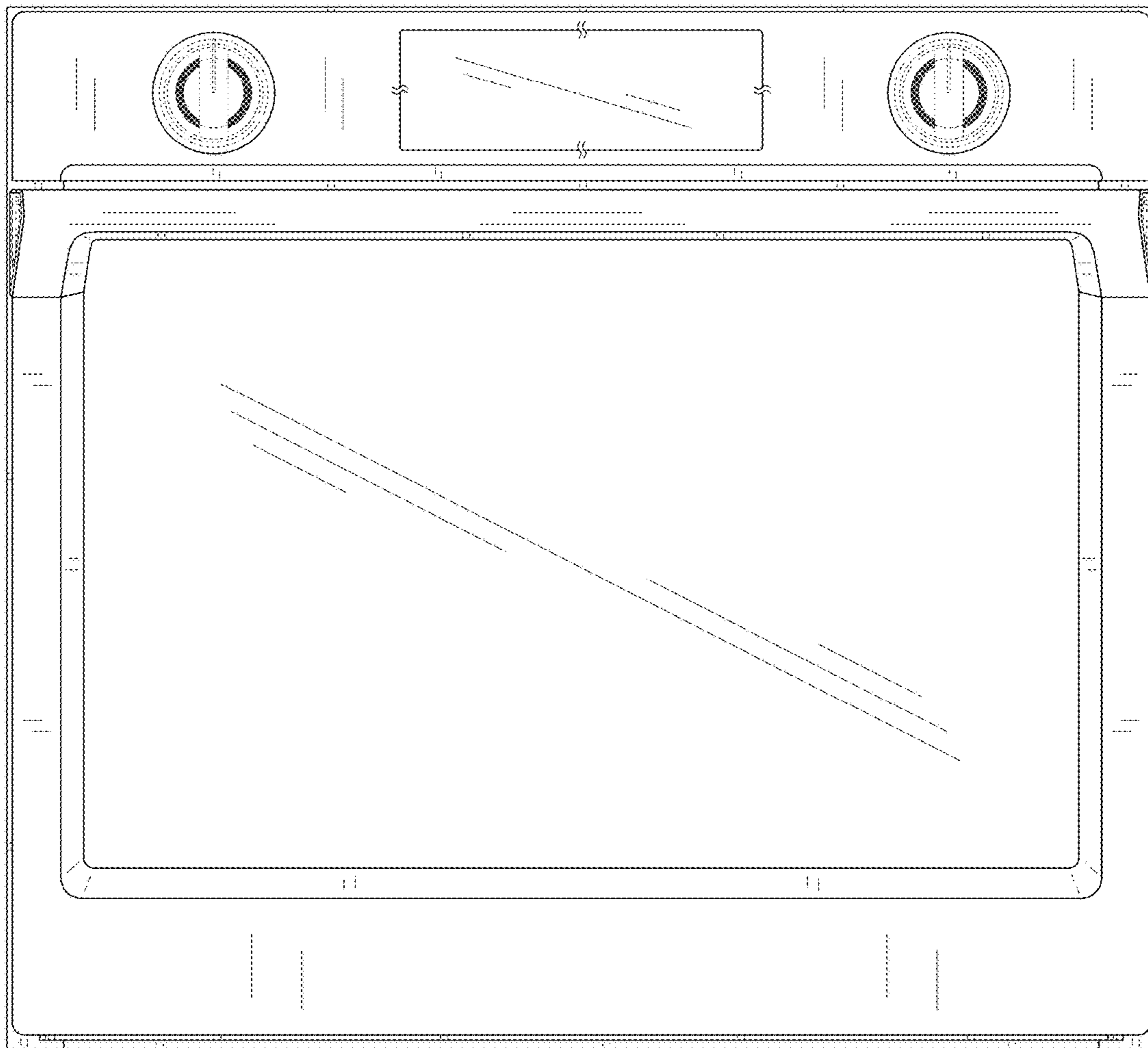


FIG. 3

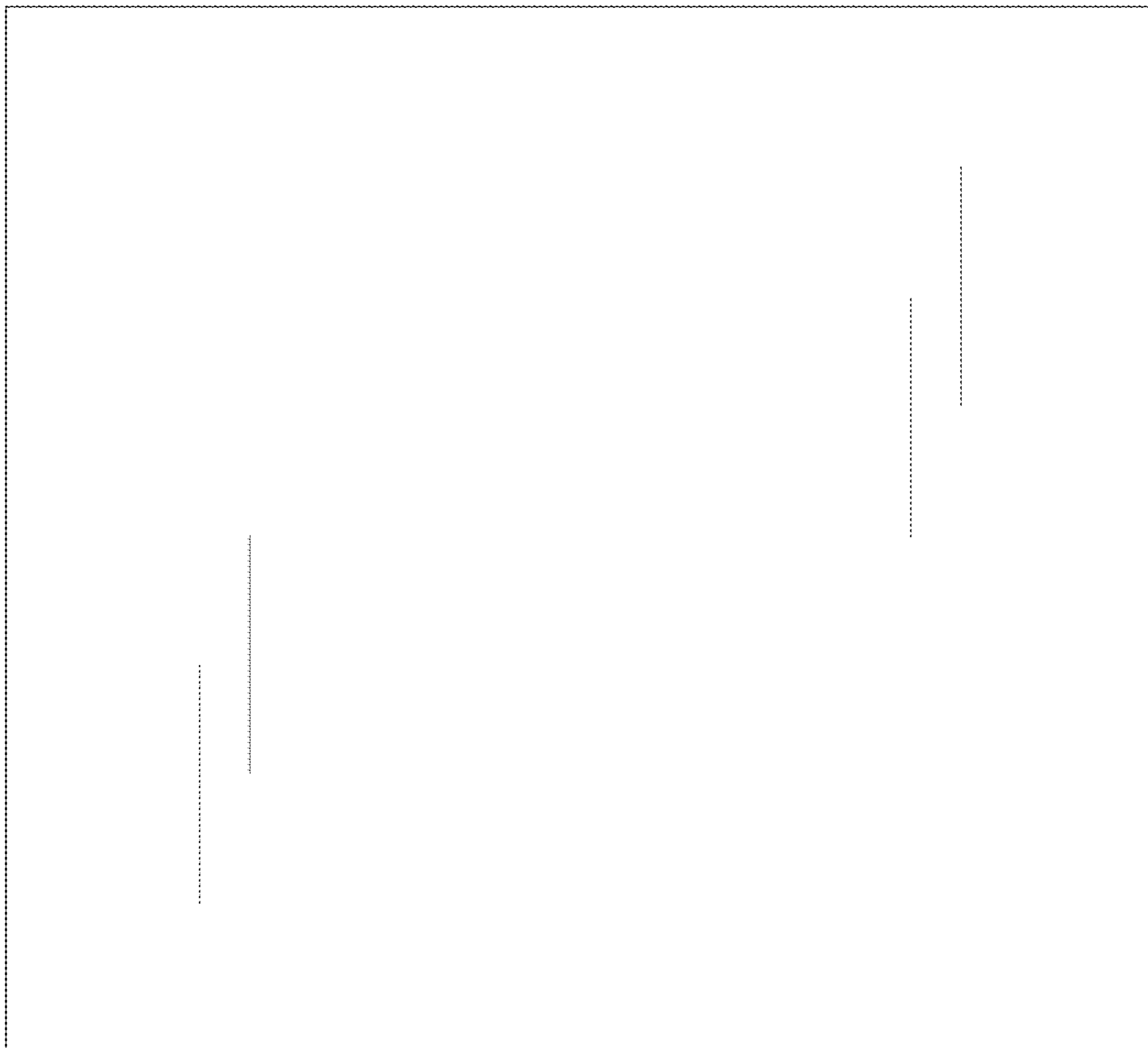




FIG. 4

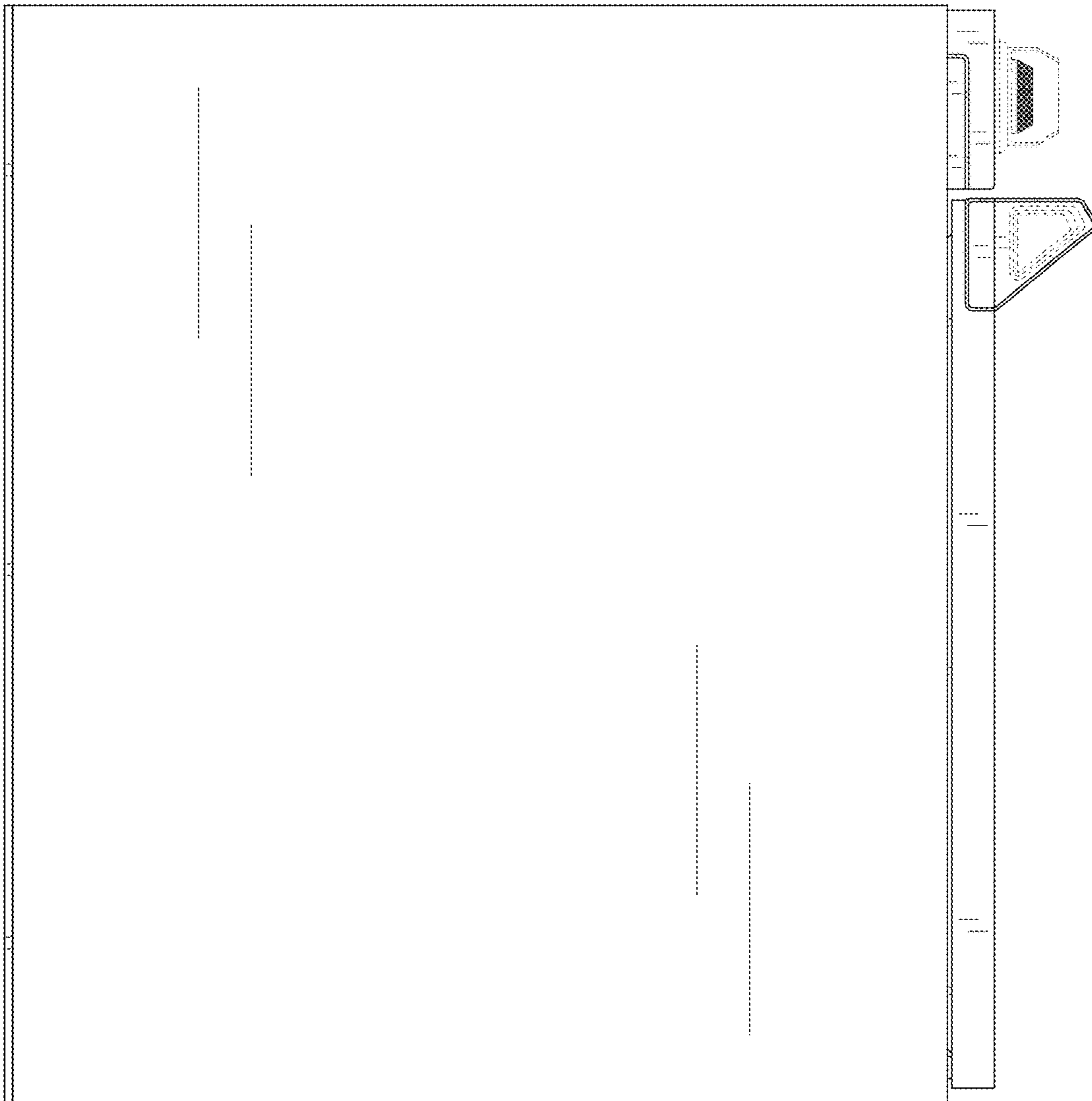


FIG. 5

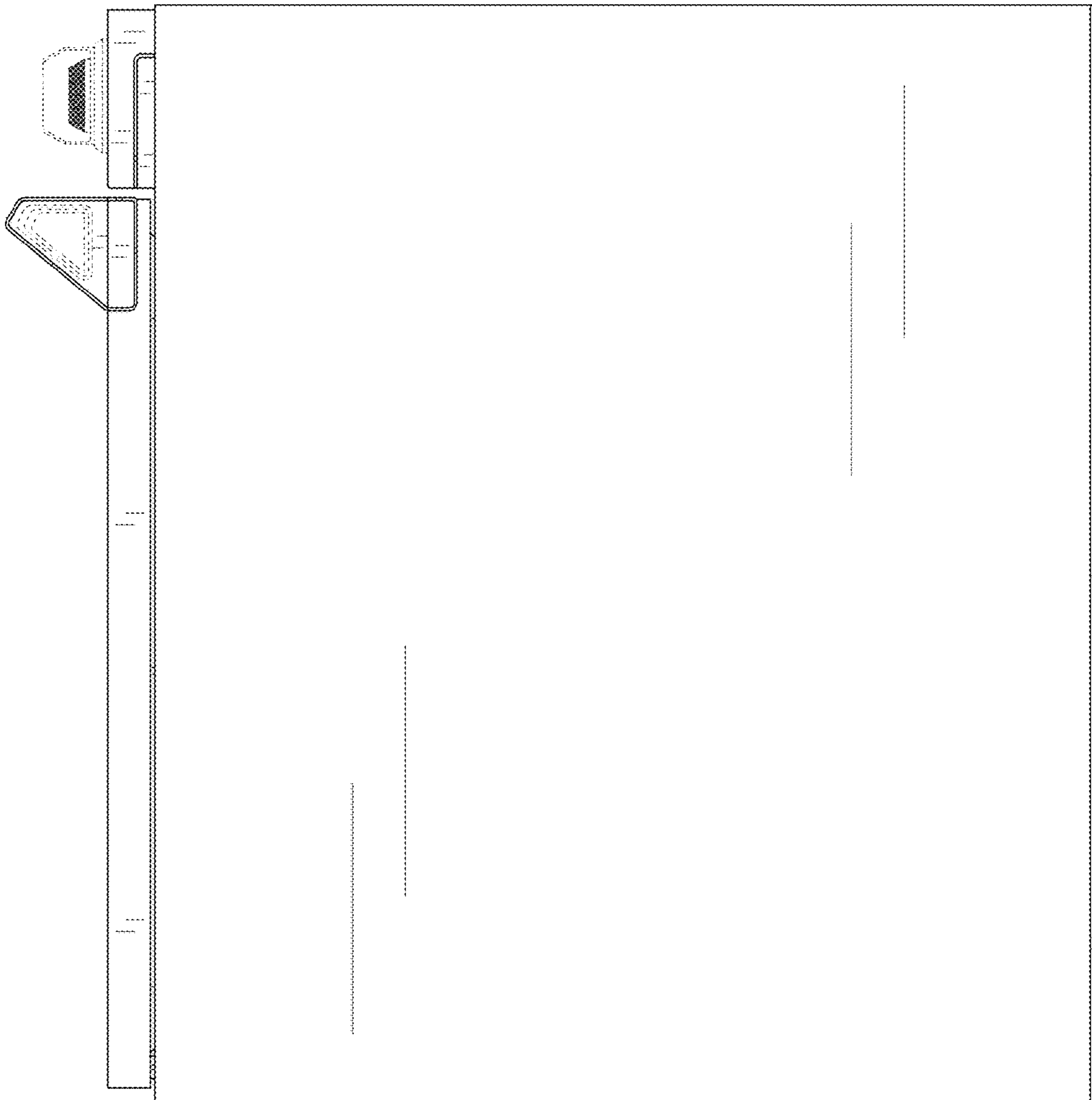


FIG. 6

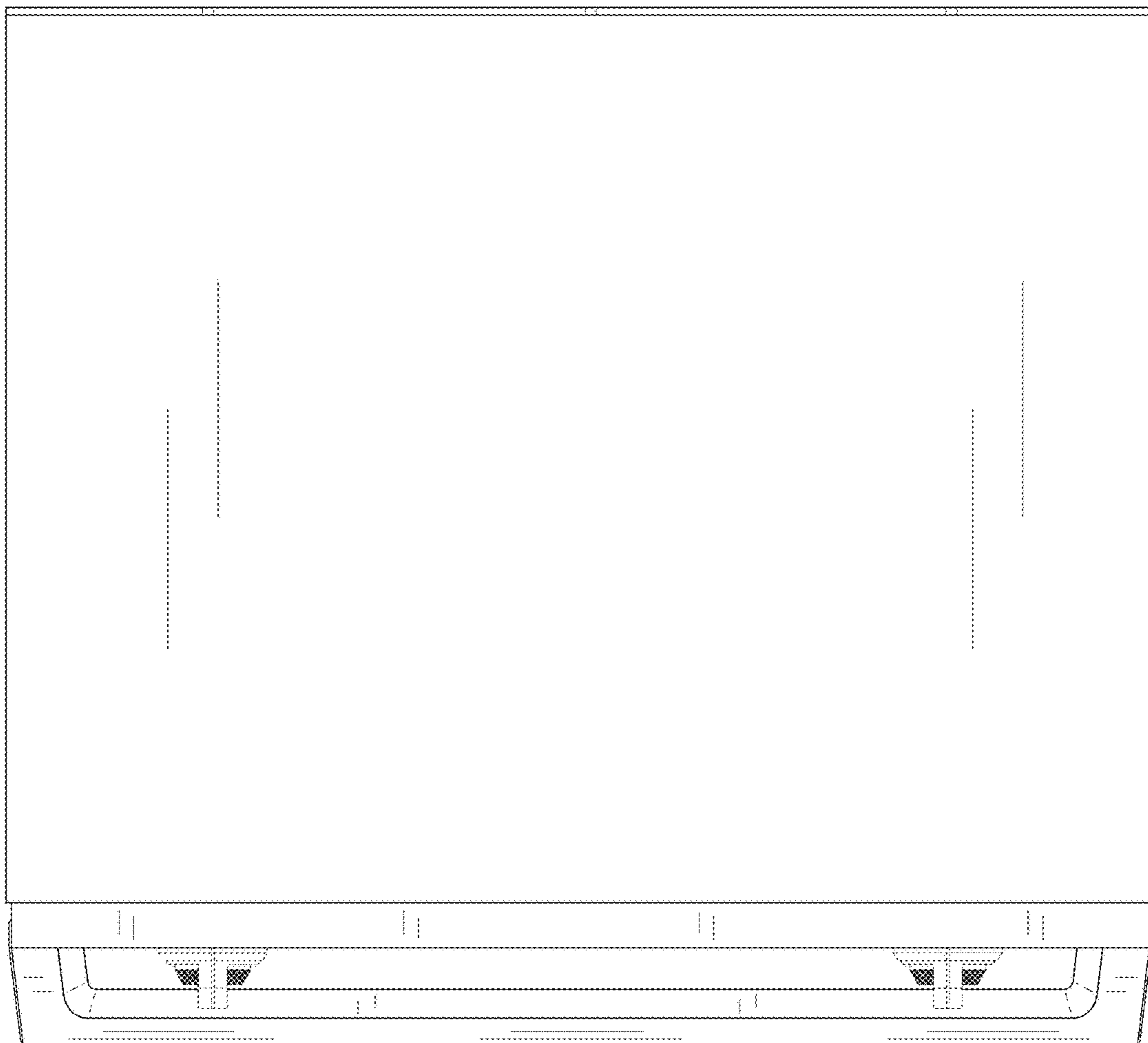




FIG. 7

