



US00D814230S

(12) **United States Design Patent**  
**Choi et al.**

(10) **Patent No.:** **US D814,230 S**  
(45) **Date of Patent:** **\*\* Apr. 3, 2018**

(54) **INDUCTION COOKER**

15/10; F24C 15/102; F24C 15/2092;  
H05B 6/062

See application file for complete search history.

(71) Applicant: **Samsung Electronics Co., Ltd.**,  
Suwon-si (KR)

(72) Inventors: **Woojoo Choi**, Anyang-si (KR); **Jaejun Kim**, Seoul (KR); **Jae-moon Lee**, Seoul (KR); **Jongsu Jeon**, Seongnam-si (KR); **Hwanwoong Choi**, Seoul (KR); **Hyeongju Seo**, Seoul (KR)

(73) Assignee: **Samsung Electronics Co., Ltd.**,  
Suwon-si (KR)

(\*\*) Term: **15 Years**

(21) Appl. No.: **29/595,454**

(22) Filed: **Feb. 28, 2017**

(30) **Foreign Application Priority Data**

Nov. 16, 2016 (KR) ..... 30-2016-0055153

(51) **LOC (11) Cl.** ..... **07-02**

(52) **U.S. Cl.**  
USPC ..... **D7/346; D7/339; D7/340**

(58) **Field of Classification Search**  
USPC ..... D7/323, 328-330, 339-349, 390,  
D7/402-406; D8/300-306  
CPC ... A21B 2/00; A47J 37/00; A47J 37/06; A47J  
37/0611; A47J 37/08; A47J 37/0807;  
A47J 37/0814; A47J 37/0835; A47J  
37/0842; A47J 37/085; A47J 37/0864;  
A47J 37/0878; A47J 37/0885; A47J  
37/0892; C03C 17/38; F24C 3/085; F24C  
7/00; F24C 7/002; F24C 7/046; F24C  
7/067; F24C 15/02; F24C 15/04; F24C

(56) **References Cited**

U.S. PATENT DOCUMENTS

4,501,260	A *	2/1985	Grace	.....	F24C 15/2092
					126/21 R
6,257,228	B1 *	7/2001	Braccini	.....	F24C 3/085
					126/211
D508,630	S *	8/2005	Grutzke	.....	D7/346
D553,899	S *	10/2007	Grey	.....	D7/346
D553,900	S *	10/2007	Grey	.....	D7/346
D560,957	S *	2/2008	Grey	.....	D7/346
D563,715	S *	3/2008	Grey	.....	D7/346
D641,584	S *	7/2011	Sadtler	.....	D7/346
D651,447	S *	1/2012	Sadtler	.....	D7/346
D671,789	S *	12/2012	Goss	.....	D7/346
D764,219	S *	8/2016	Kim	.....	D7/339
2008/0190409	A1 *	8/2008	Demol	.....	C03C 17/38
					126/211

(Continued)

*Primary Examiner* — Ricky Pham

(74) *Attorney, Agent, or Firm* — NSIP Law

(57) **CLAIM**

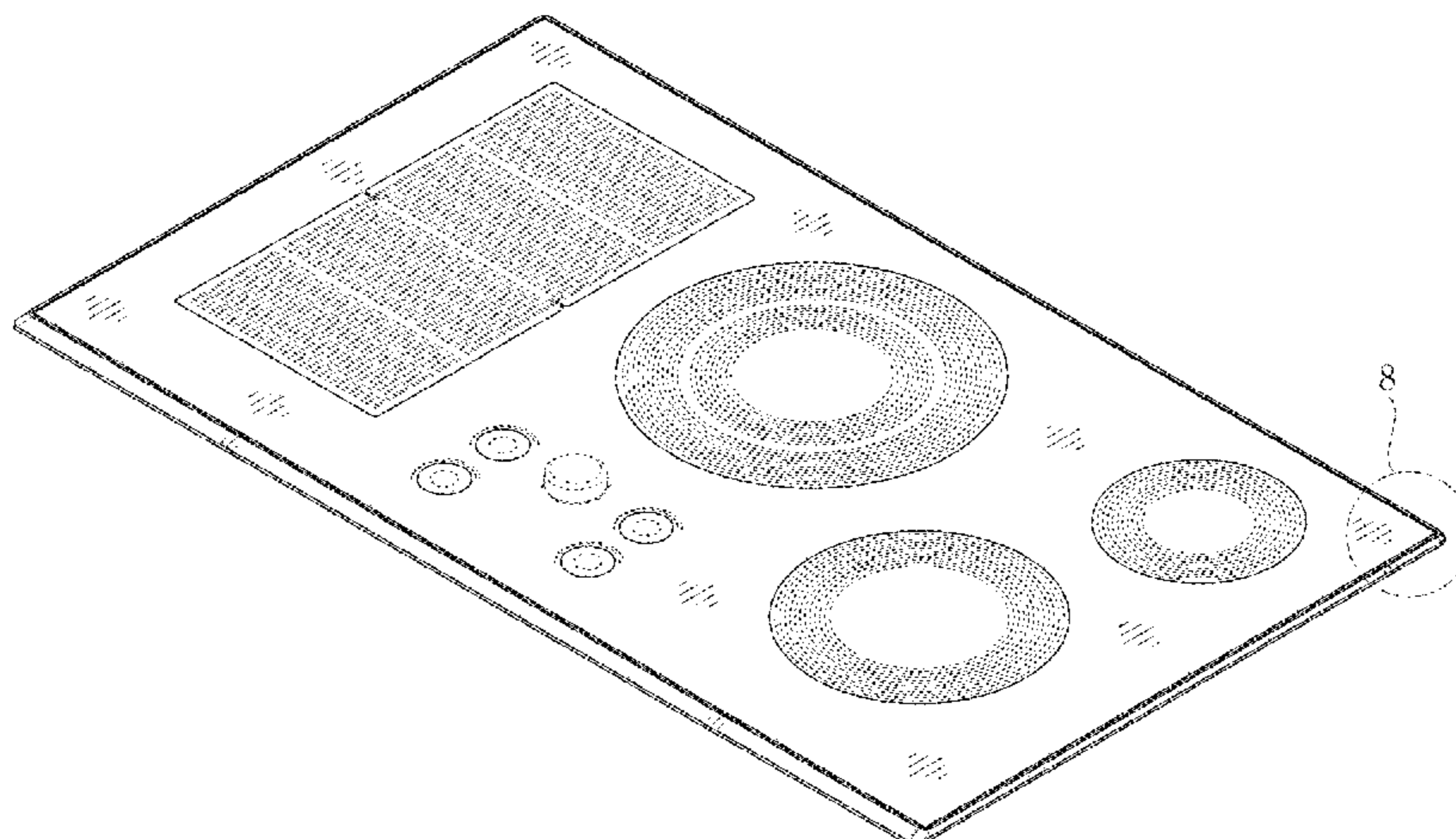
We claim the ornamental design for an induction cooker, as shown and described.

**DESCRIPTION**

FIG. 1 is a front perspective view of an induction cooker showing our new design;  
FIG. 2 is a front view thereof;  
FIG. 3 is a rear view thereof;  
FIG. 4 is a left-side view thereof;  
FIG. 5 is a right-side view thereof;  
FIG. 6 is a top view thereof;  
FIG. 7 is a bottom view thereof; and,  
FIG. 8 is an enlarged view of the encircled portion in FIG. 1.

The broken lines in the figures depict environmental subject matter and form no part of the claimed design.

(Continued)



The dot-dash broken lines encircling portions of the claimed design that are illustrated in enlargements form no part of the claimed design.

**1 Claim, 8 Drawing Sheets**

(56) **References Cited**

U.S. PATENT DOCUMENTS

2013/0320000 A1\* 12/2013 Shan ..... H05B 6/062  
219/620

\* cited by examiner

FIG. 1

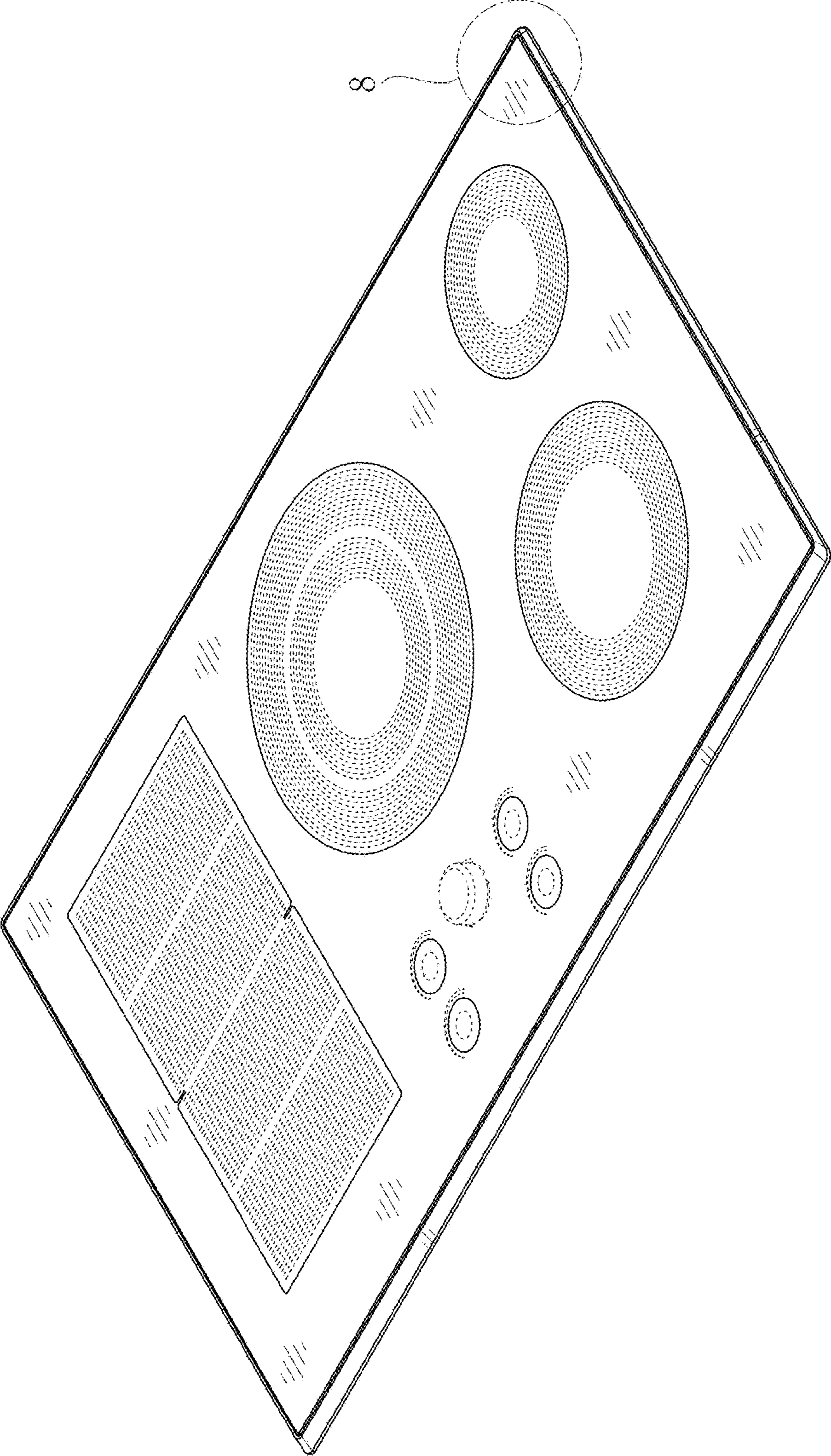


FIG. 2





FIG. 3

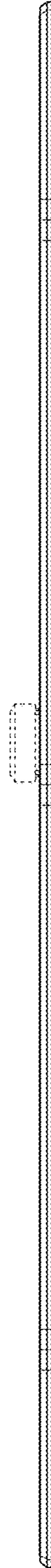


FIG. 4



FIG. 5

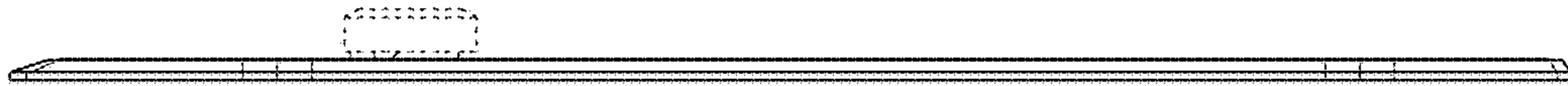


FIG. 6

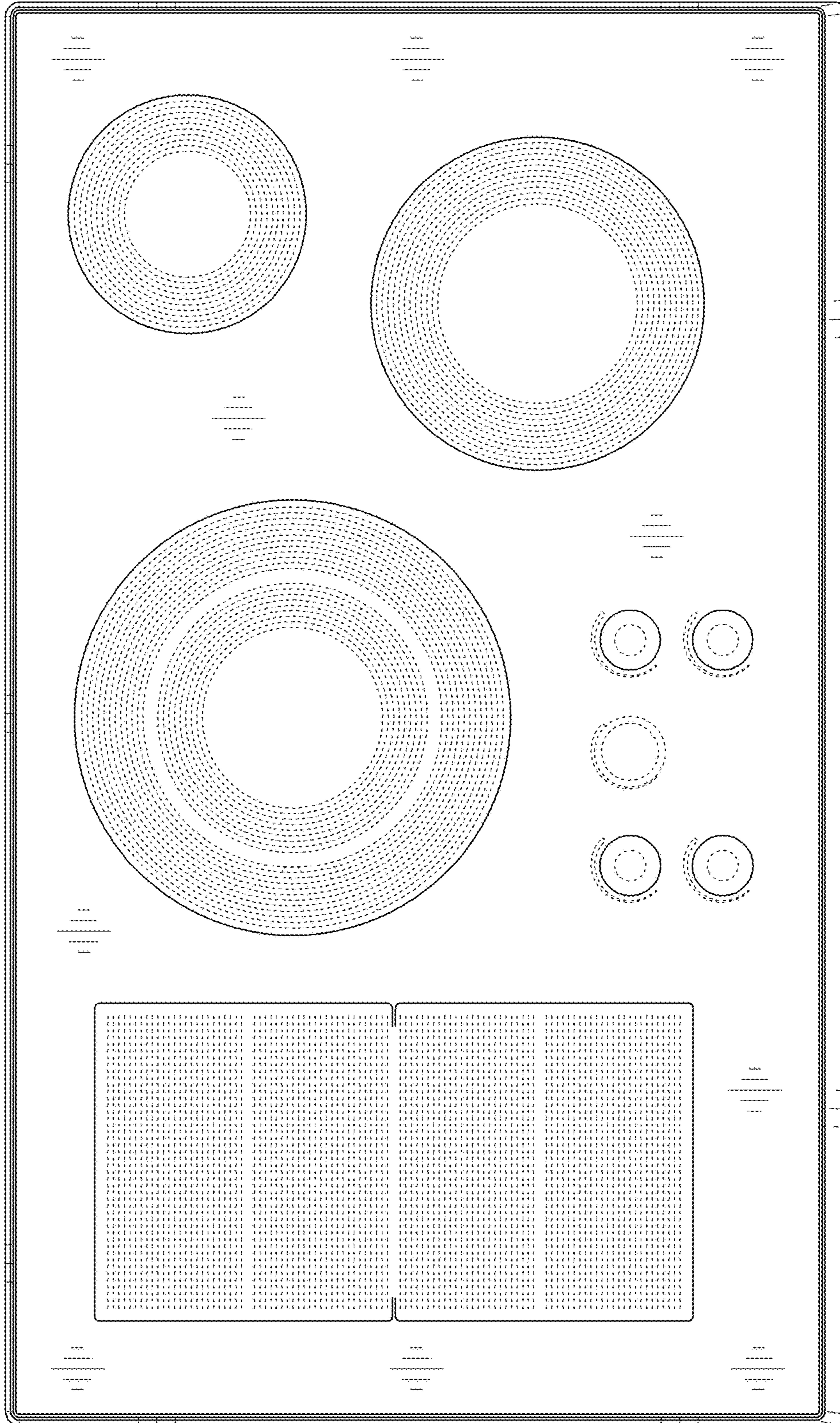




FIG. 7

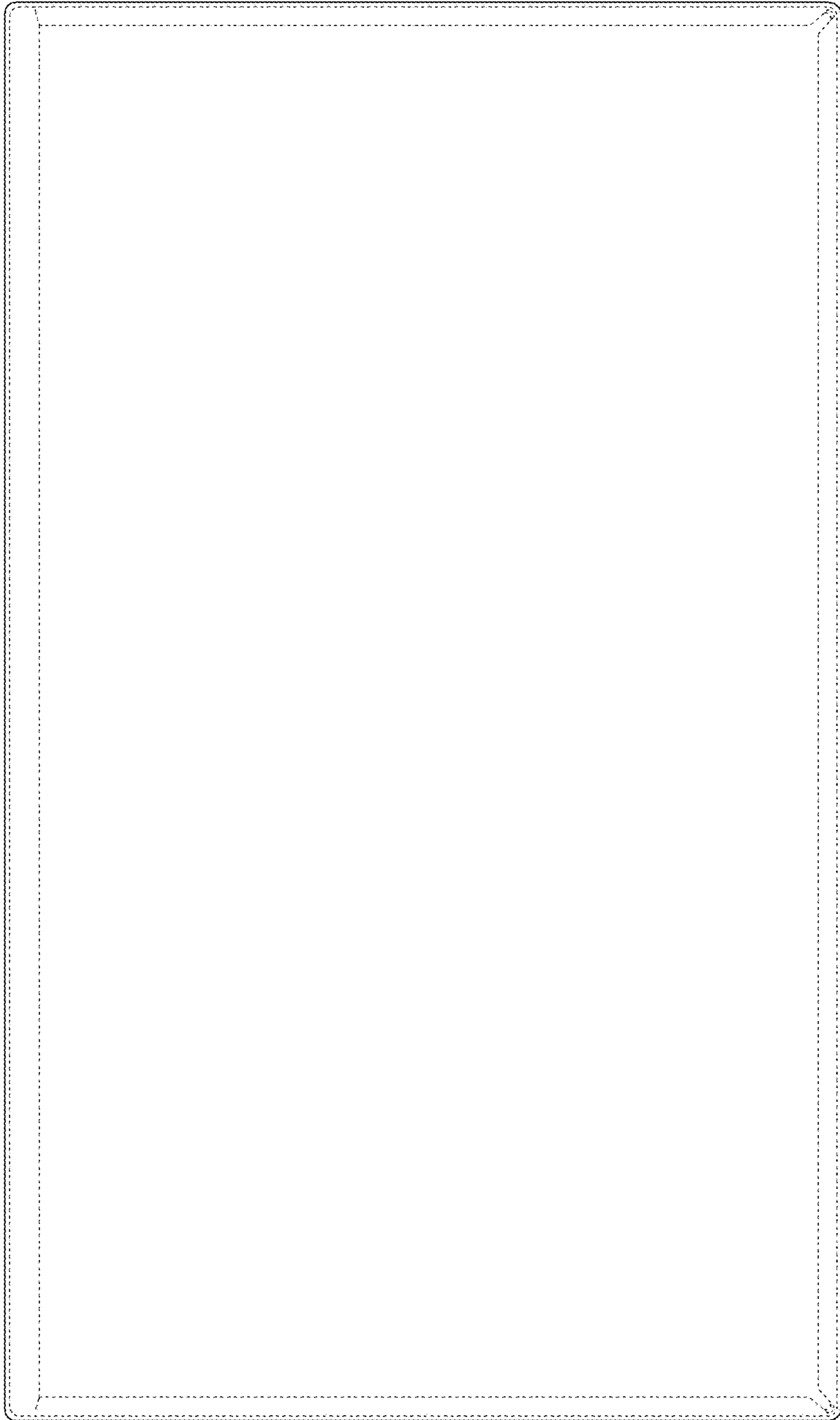


FIG. 8

