



US00D814229S

(12) **United States Design Patent** (10) **Patent No.:** **US D814,229 S**
Hu (45) **Date of Patent:** **** Apr. 3, 2018**

(54) **OVEN**

(56) **References Cited**

(71) Applicant: **GUANGDONG MIDEA KITCHEN APPLIANCES MANUFACTURING CO., LTD.**, Foshan (CN)

U.S. PATENT DOCUMENTS

(72) Inventor: **Yibo Hu**, Foshan (CN)

D477,177 S *	7/2003	Jeong	D7/340
D655,128 S *	3/2012	Kim	D7/340
D697,358 S *	1/2014	Kim	D7/340
D731,845 S *	6/2015	Kim	D7/340
D755,008 S *	5/2016	Kim	D7/406
D755,563 S *	5/2016	Kim	D7/406
D763,617 S *	8/2016	Kim	D7/339
D778,670 S *	2/2017	Lee	D7/405
D781,096 S *	3/2017	Kim	D7/339
D781,648 S *	3/2017	Shoemaker	D7/406
D785,398 S *	5/2017	Kim	D7/340
D786,006 S *	5/2017	Chung	D7/340
D786,608 S *	5/2017	Cho	D7/339
D787,254 S *	5/2017	Cho	D7/339
D788,513 S *	6/2017	Chung	D7/323
D789,729 S *	6/2017	Lee	D7/340
D793,149 S *	8/2017	Lee	D7/323

(73) Assignee: **GUANGDONG MIDEA KITCHEN APPLIANCES MANUFACTURING CO., LTD.**, Foshan (CN)

(**) Term: **15 Years**

(21) Appl. No.: **29/588,860**

(22) Filed: **Dec. 23, 2016**

(30) **Foreign Application Priority Data**

Aug. 29, 2016 (CN) 2016 3 0436184

(51) **LOC (11) Cl.** **07-02**

(52) **U.S. Cl.**
USPC **D7/340**

(58) **Field of Classification Search**
USPC D7/323, 328-330, 339-349, 390,
D7/402-406; D21/523-524;
D8/300-306

CPC ... A21B 2/00; A47J 37/00; A47J 37/06; A47J
37/0611; A47J 37/08; A47J 37/0807;
A47J 37/0814; A47J 37/0835; A47J
37/0842; A47J 37/085; A47J 37/0864;
A47J 37/0878; A47J 37/0885; A47J
37/0892; F24C 7/00; F24C 7/002; F24C
7/046; F24C 7/067; F24C 15/04; F24C
15/10; F24C 15/102; F24C 15/107

See application file for complete search history.

* cited by examiner

Primary Examiner — Barbara Fox

Assistant Examiner — Messina L Smith

(74) *Attorney, Agent, or Firm* — Hodgson Russ LLP

(57) **CLAIM**

The ornamental design for an oven, as shown and described.

DESCRIPTION

FIG. 1 is a perspective view of an oven showing my new design;

FIG. 2 is a front elevation view thereof;

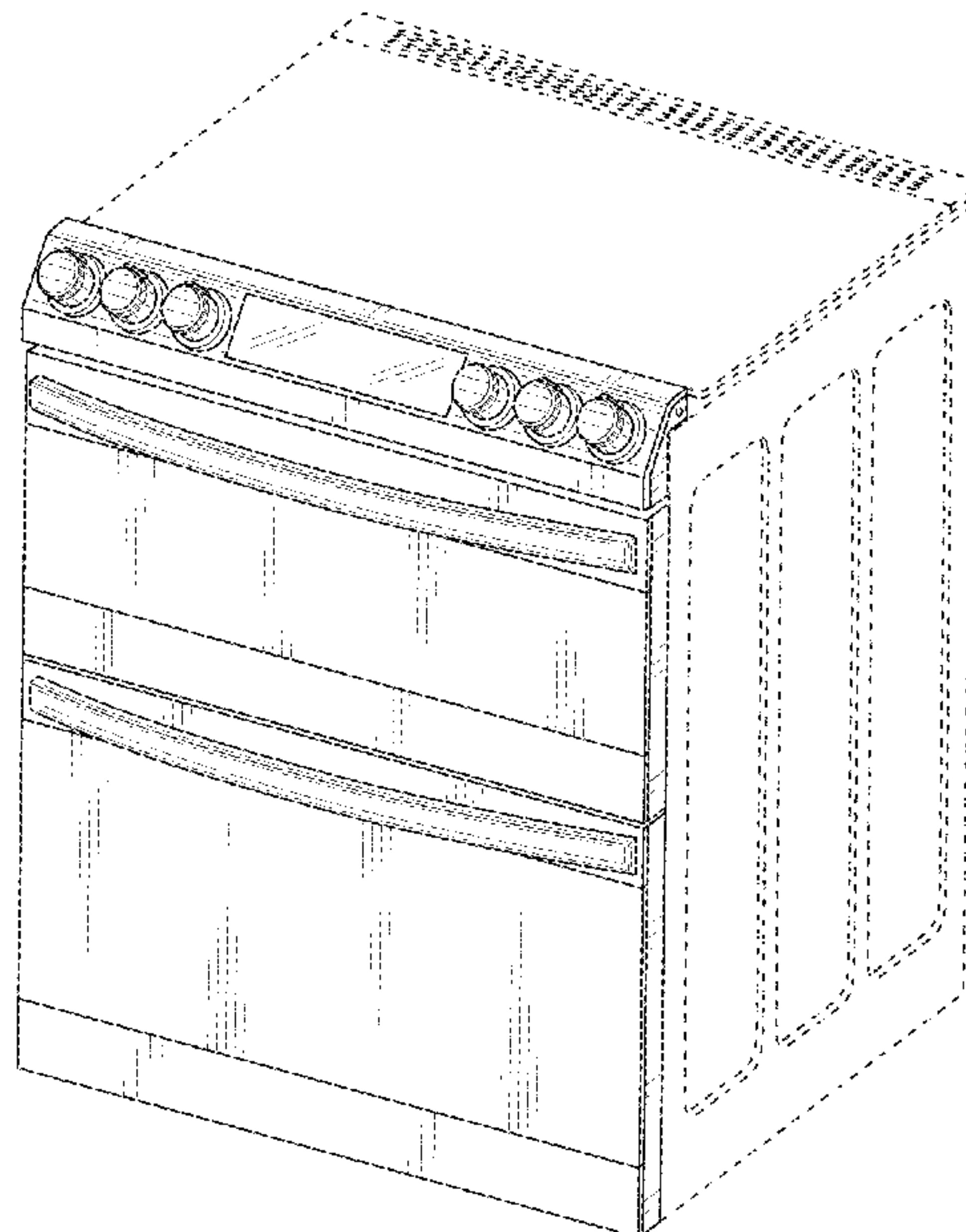
FIG. 3 is a right side elevation view thereof;

FIG. 4 is a left side elevation view thereof; and,

FIG. 5 is a top plan view thereof.

The broken lines drawings depict portions of the oven that form no part of the claimed design.

1 Claim, 5 Drawing Sheets



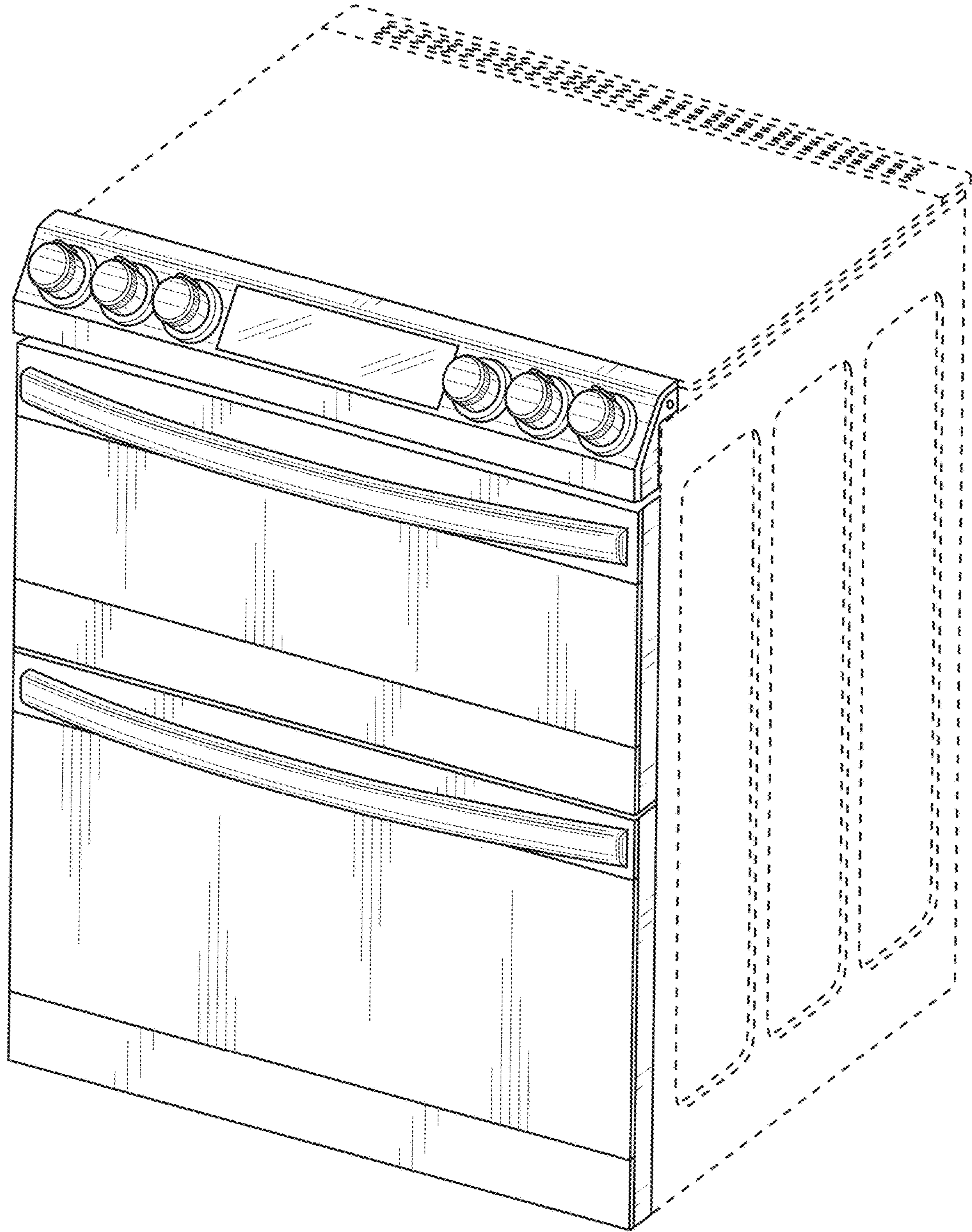


FIG. 1

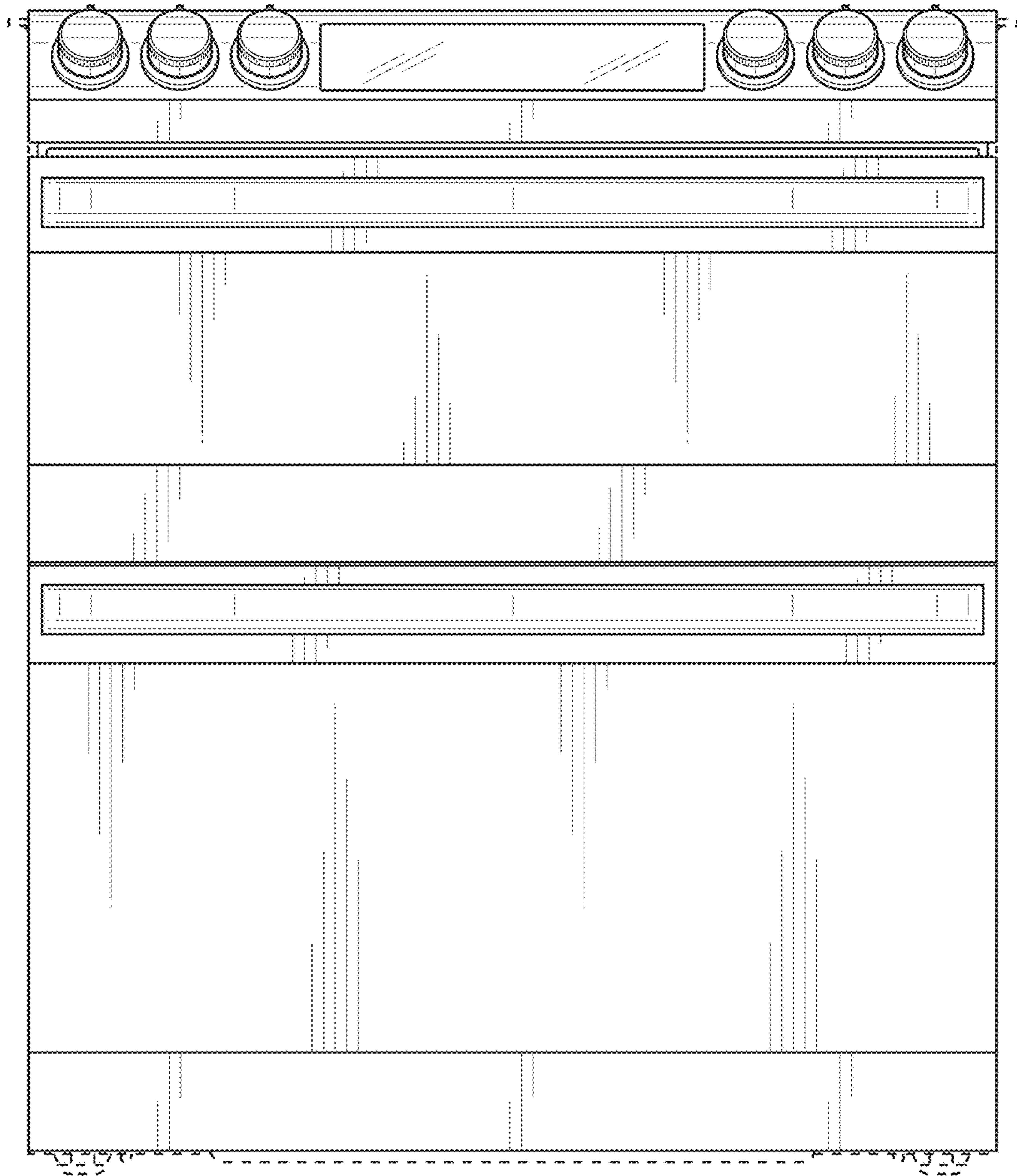


FIG. 2

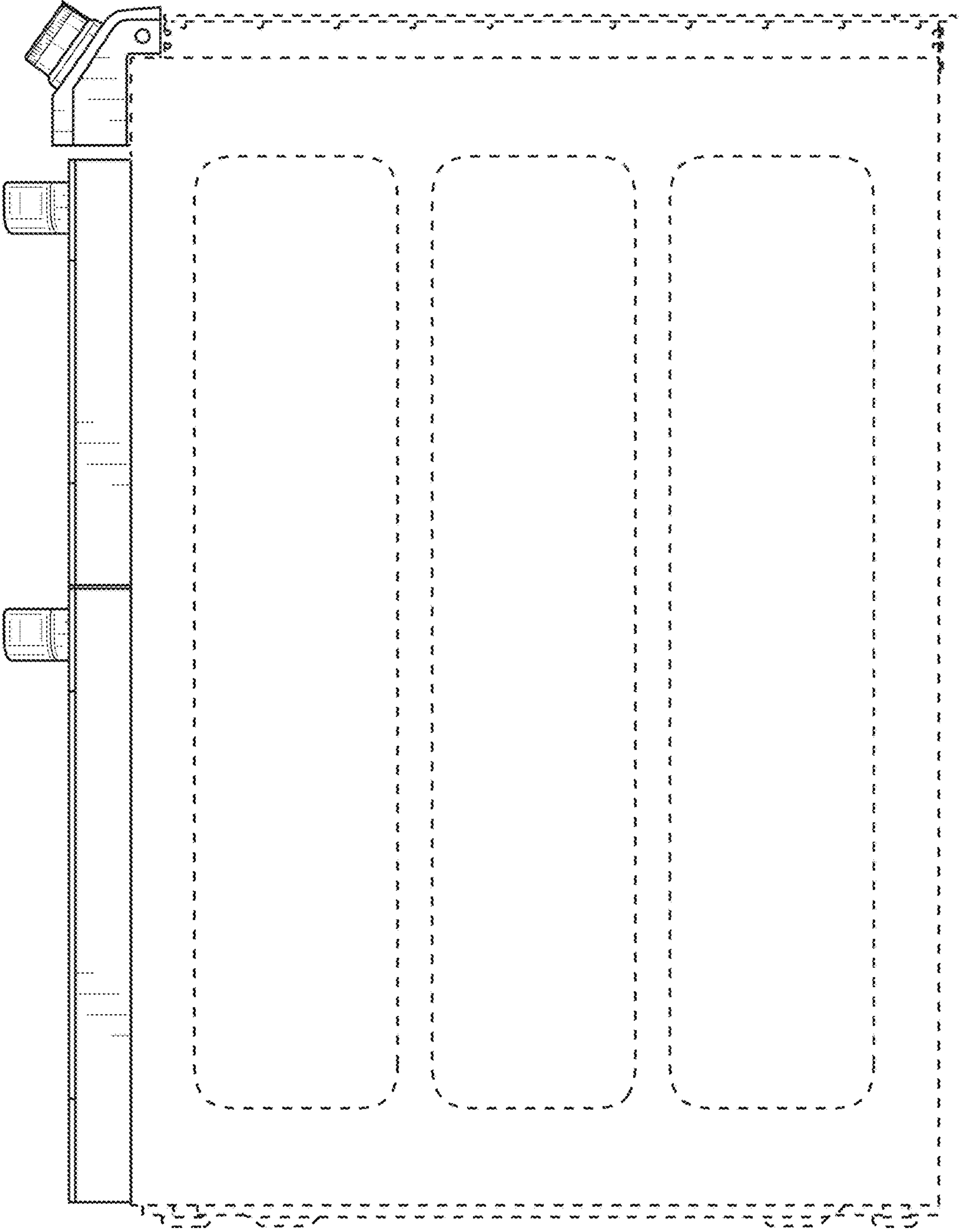


FIG. 3

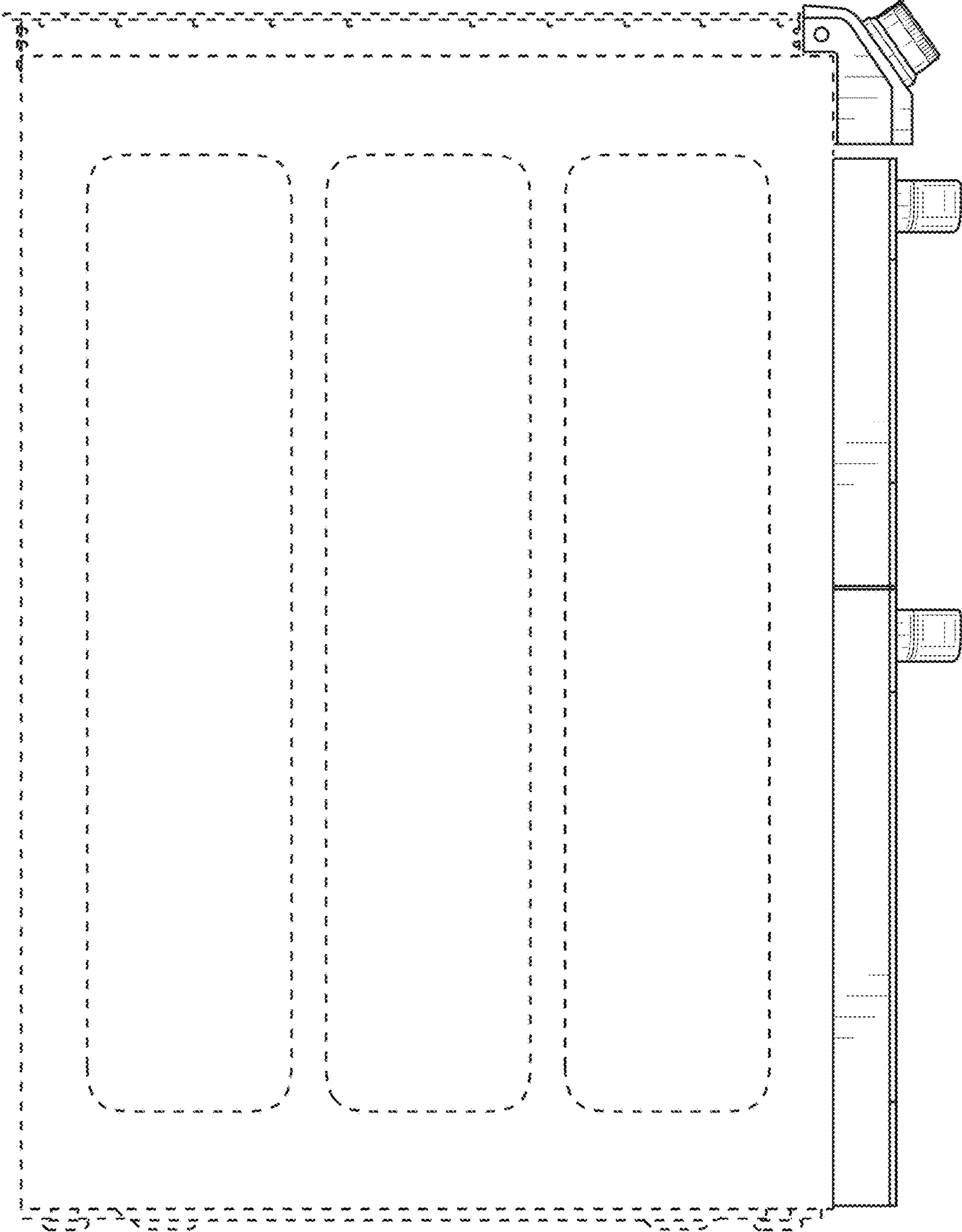


FIG. 4

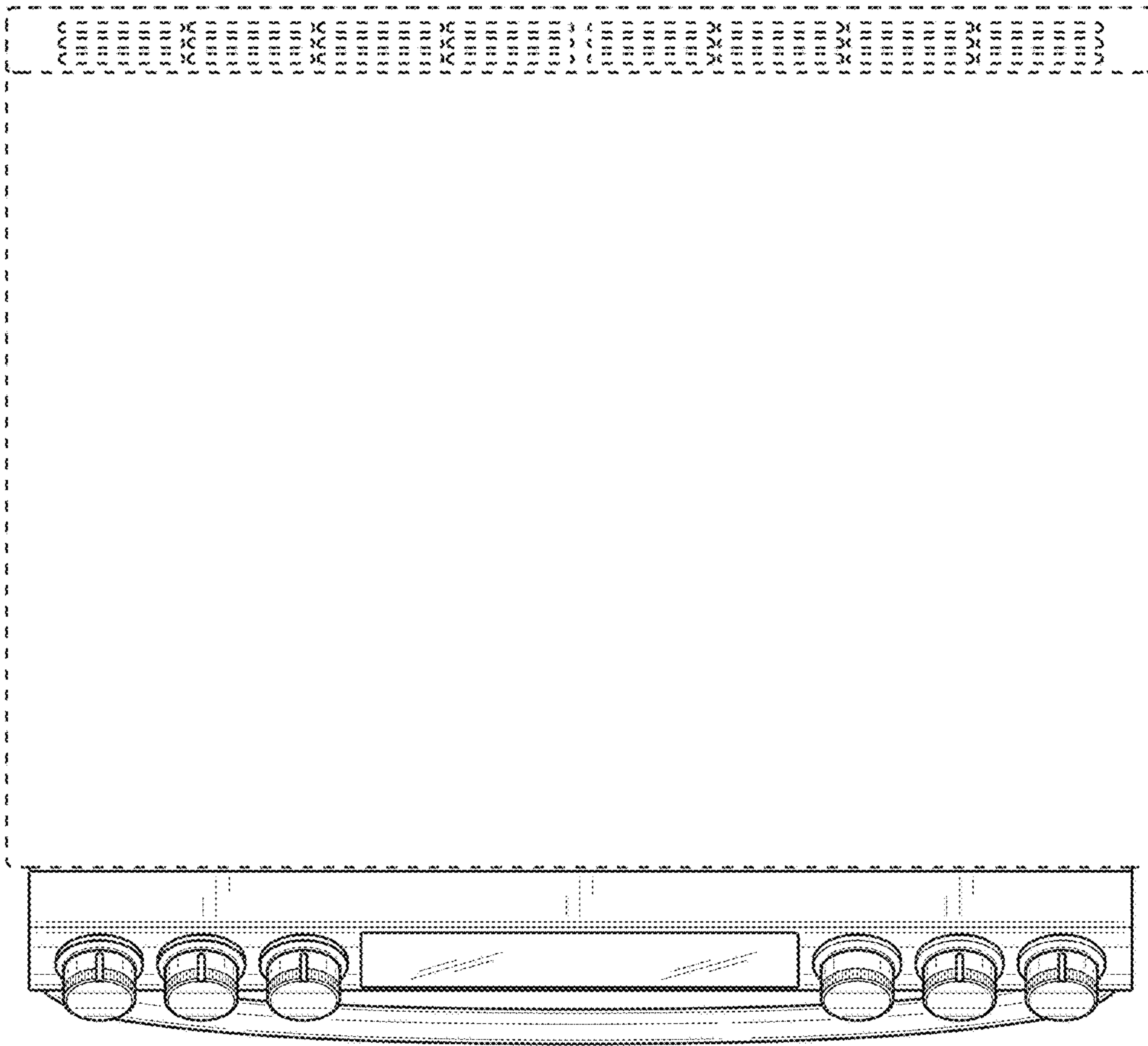


FIG. 5