



US00D814228S

(12) **United States Design Patent**
Dutruel

(10) **Patent No.:** **US D814,228 S**
(45) **Date of Patent:** **** Apr. 3, 2018**

(54) ELECTRIC GRILL	3,385,281 A * 5/1968 O’Russa	A47J 37/0704 126/25 A
(71) Applicant: TEFAL , Rumilly (FR)	4,924,845 A * 5/1990 Johnson	A47J 37/0704 126/25 R
(72) Inventor: Laurent Dutruel , Dole (FR)	D459,629 S * 7/2002 Pai	D7/332
(73) Assignee: TEFAL , Rumilly (FR)	D463,707 S * 10/2002 Bossler	D7/332
(**) Term: 15 Years	D482,561 S * 11/2003 Yeh	D7/332
	D675,862 S * 2/2013 Bodum	D7/337
	D677,512 S * 3/2013 Bodum	D7/337
	2016/0174767 A1 * 6/2016 Schlosser	A47J 37/0704 126/25 R

(21) Appl. No.: **29/585,137**

(22) Filed: **Nov. 21, 2016**

(30) **Foreign Application Priority Data**

May 30, 2016 (EM) 003161900-0002

(51) **LOC (11) Cl.** **07-02**

(52) **U.S. Cl.**
USPC **D7/337**

(58) **Field of Classification Search**
USPC D7/332–337, 402–411; 126/152 R, 25 R
CPC .. A47J 37/067; A47J 37/0694; A47J 37/0786;
A47J 37/0704; A47J 37/0713; A47J
37/0781; A47J 37/0777; A47J 37/0763;
A47J 37/0611; A47J 37/0709; A47J
37/0676; F24C 15/16
See application file for complete search history.

(56) **References Cited**

U.S. PATENT DOCUMENTS

D100,299 S * 7/1936 Soos D7/407
D202,397 S * 9/1965 O’Russa D7/337

* cited by examiner

Primary Examiner — Susan Bennett Hattan

Assistant Examiner — Brett Miller

(74) *Attorney, Agent, or Firm* — Loeb & Loeb LLP

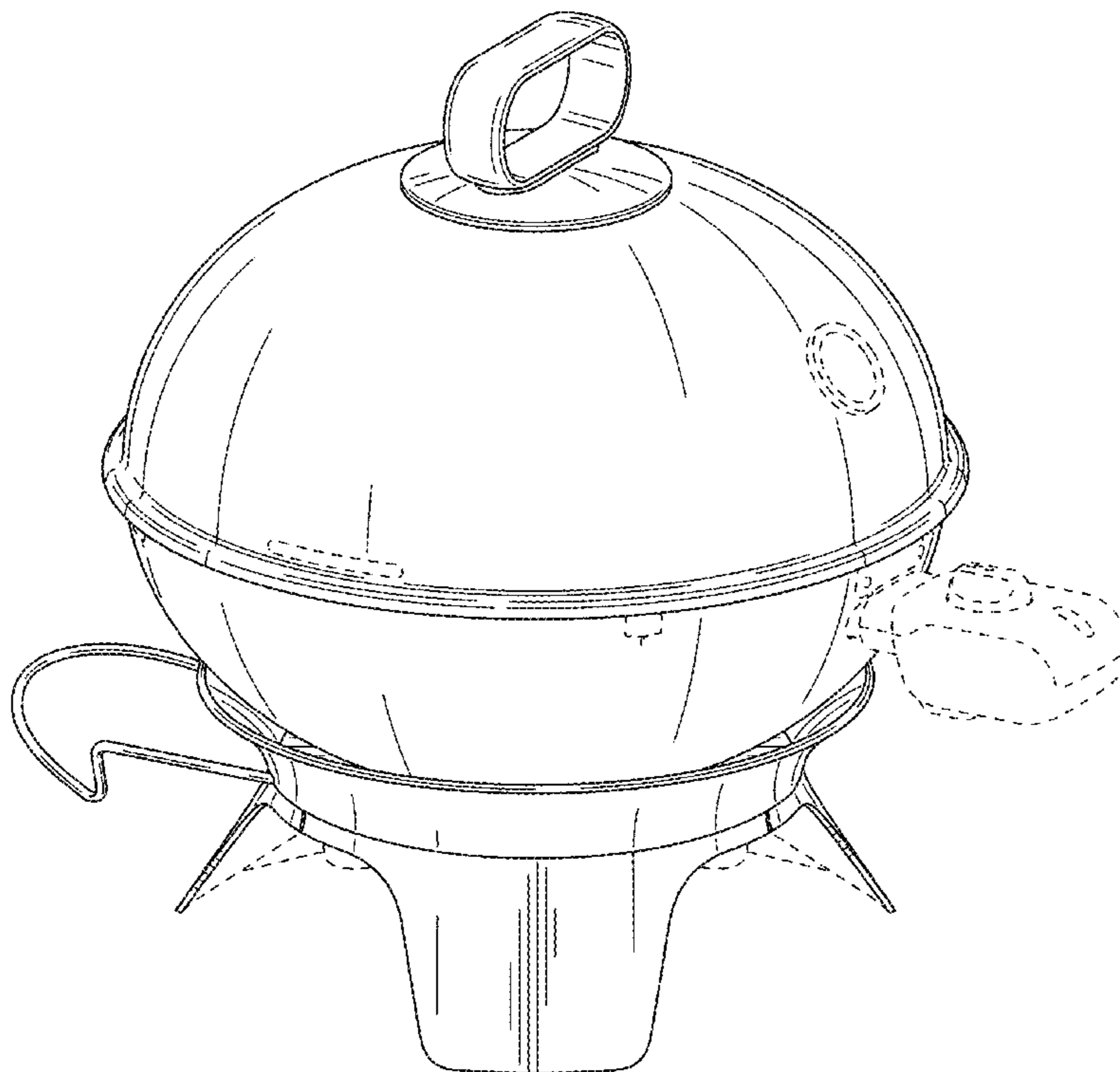
(57) **CLAIM**

The ornamental design for an electric grill, as shown and described.

DESCRIPTION

FIG. 1 is a perspective view of an electric grill showing my new design
FIG. 2 is a front elevational view thereof;
FIG. 3 is a rear elevational view thereof;
FIG. 4 is a right side elevational view thereof;
FIG. 5 is a left side elevational view thereof;
FIG. 6 is a top view thereof; and,
FIG. 7 is a bottom view thereof.
The broken lines in the figures depict portions of the electric grill that form no part of the claimed design.

1 Claim, 7 Drawing Sheets



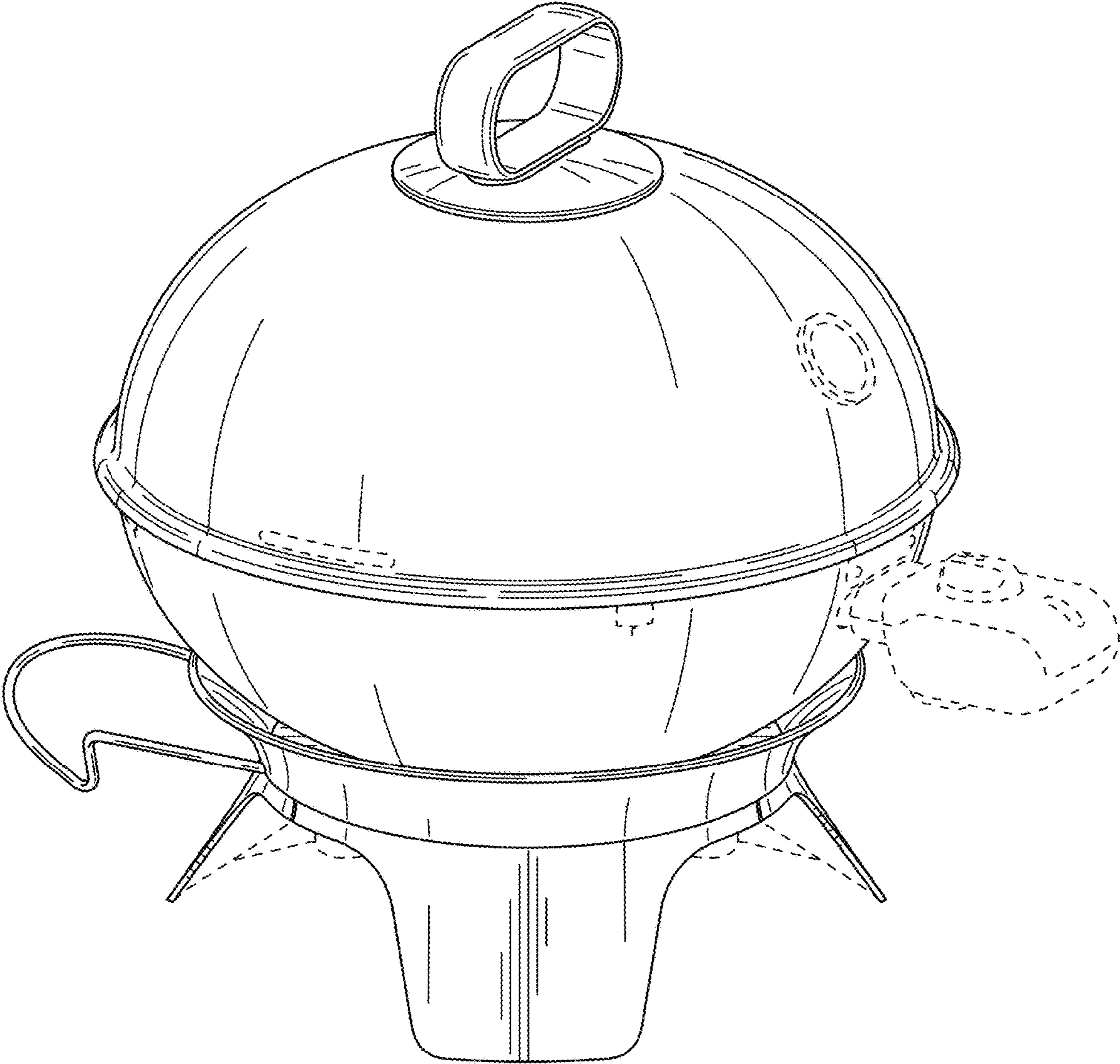


FIG. 1

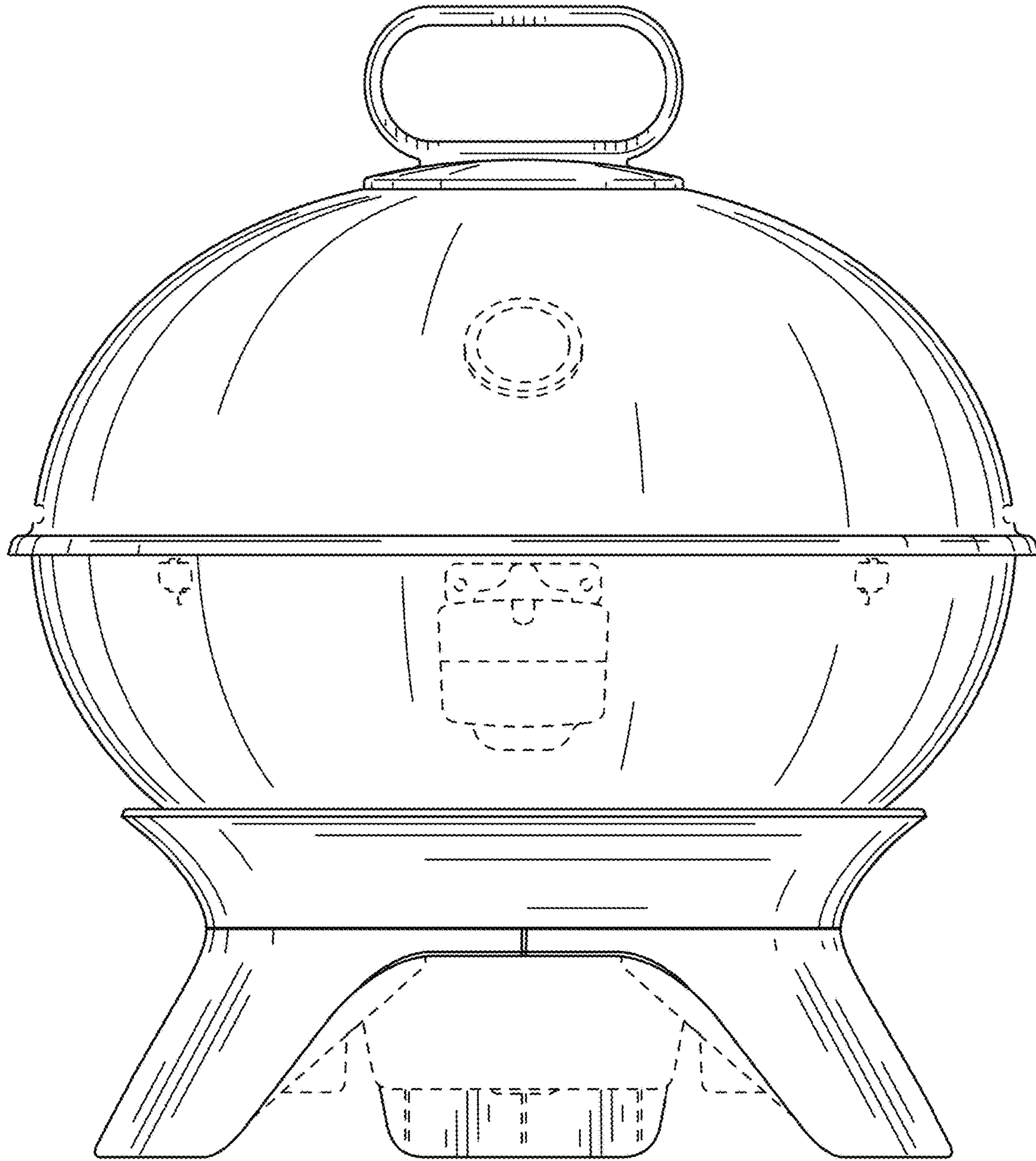


FIG. 2

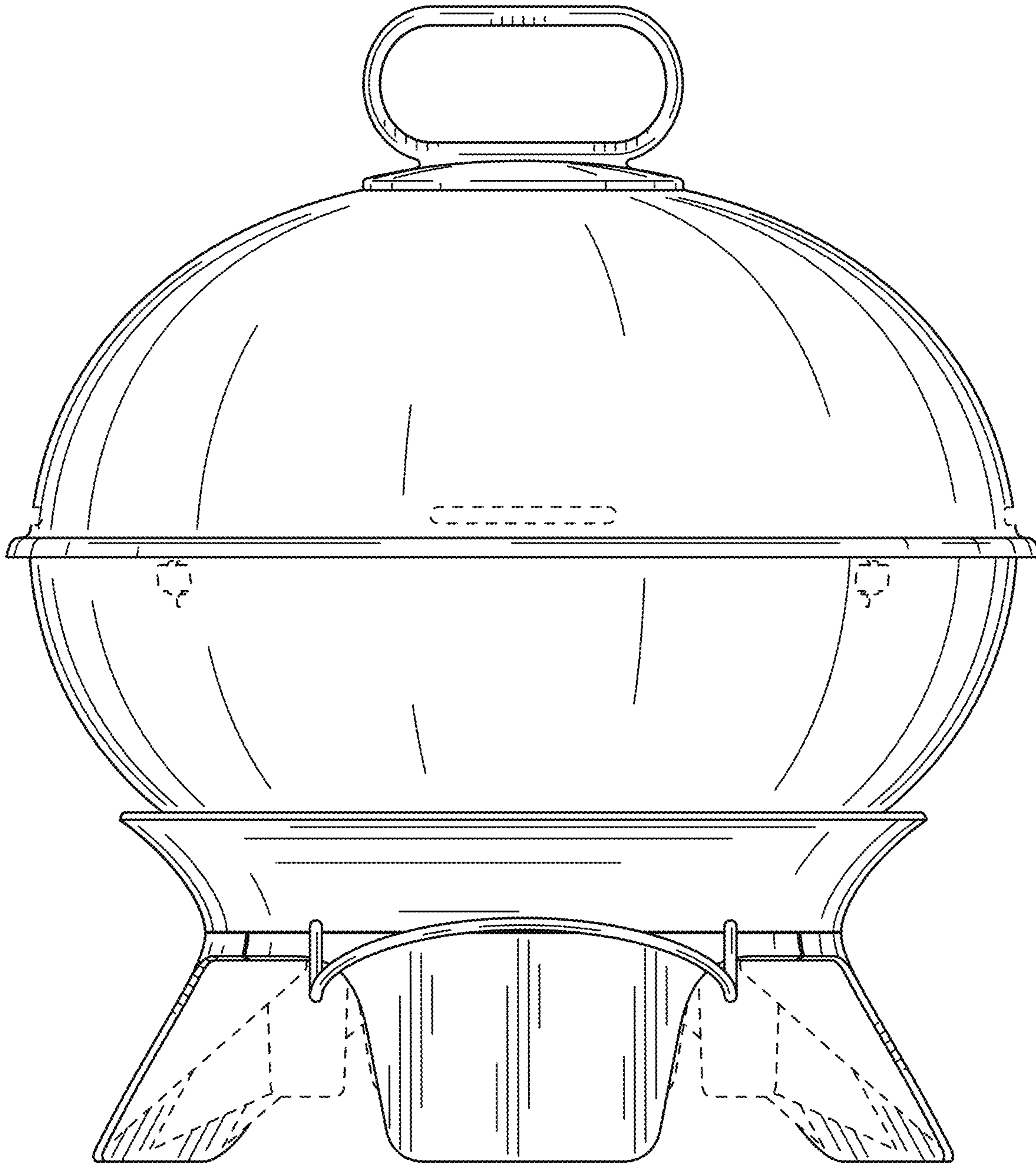


FIG. 3

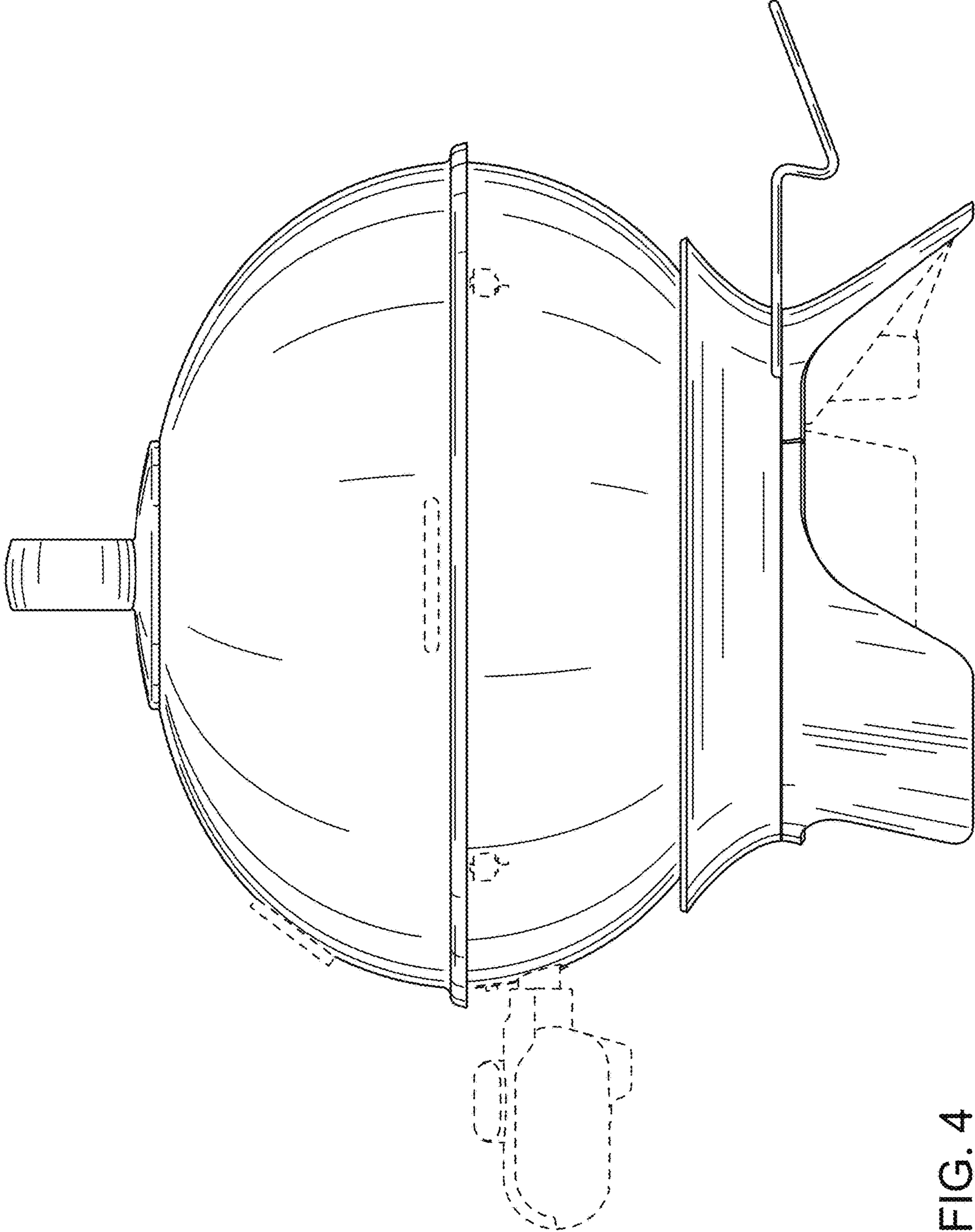


FIG. 4

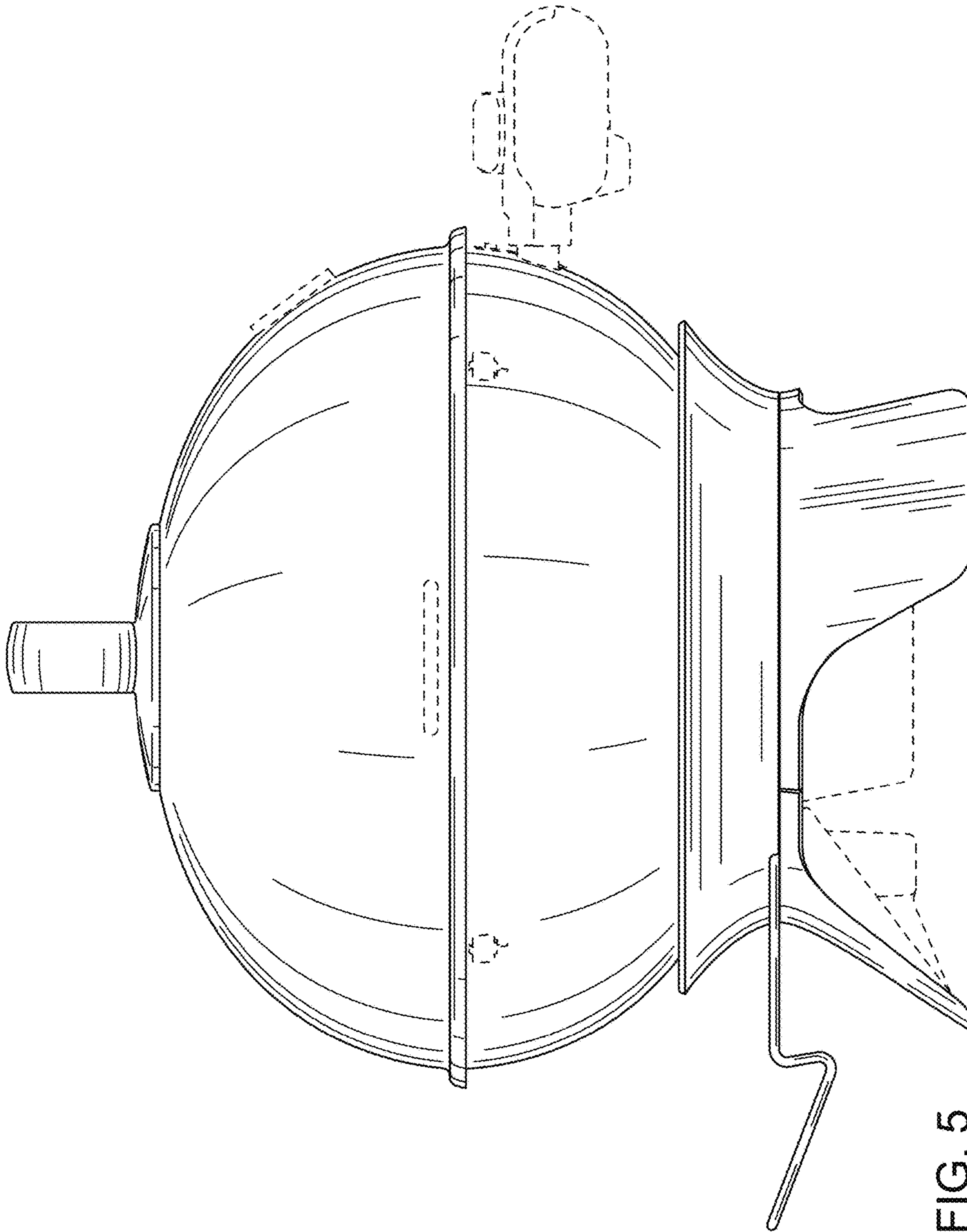


FIG. 5

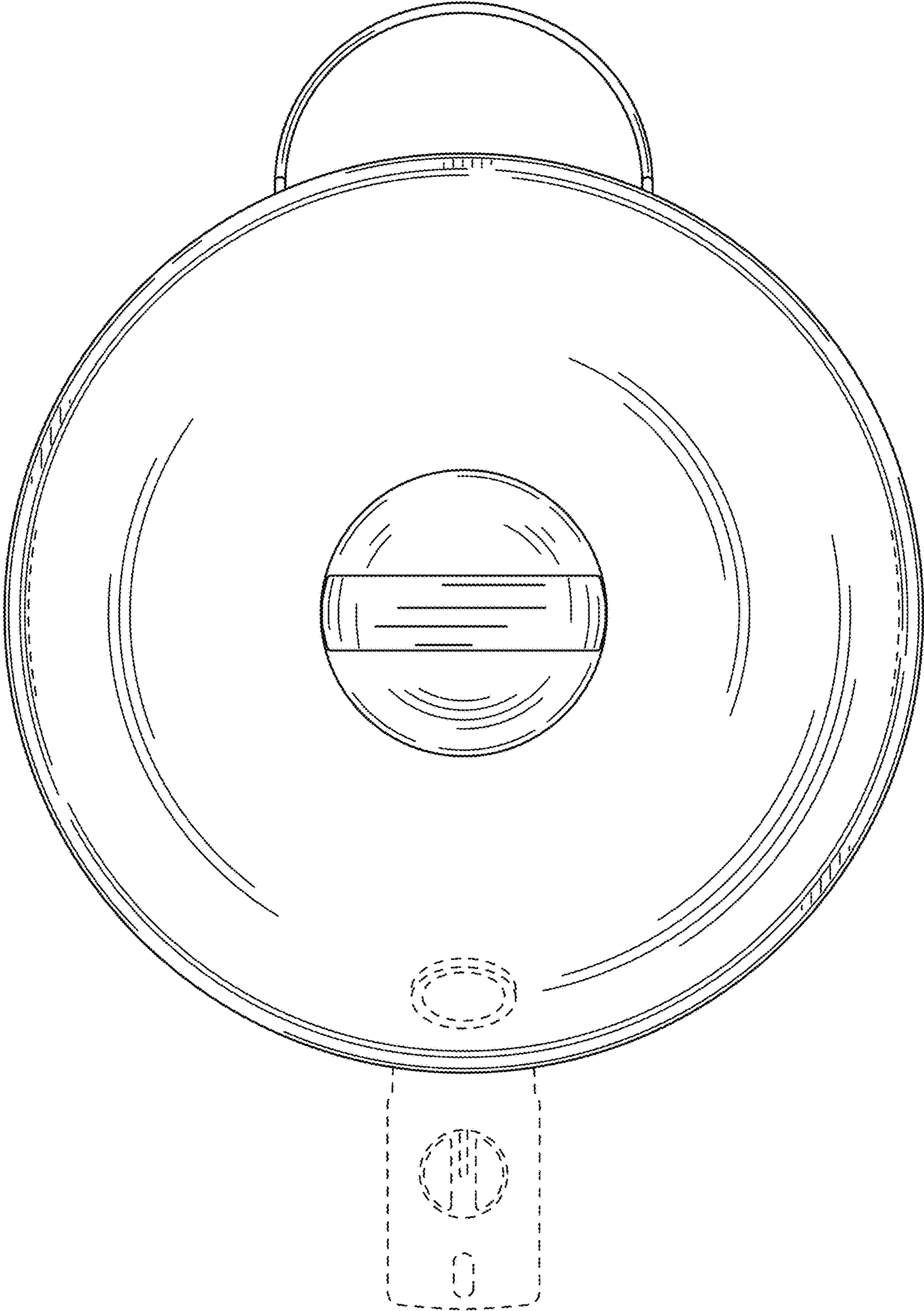


FIG. 6

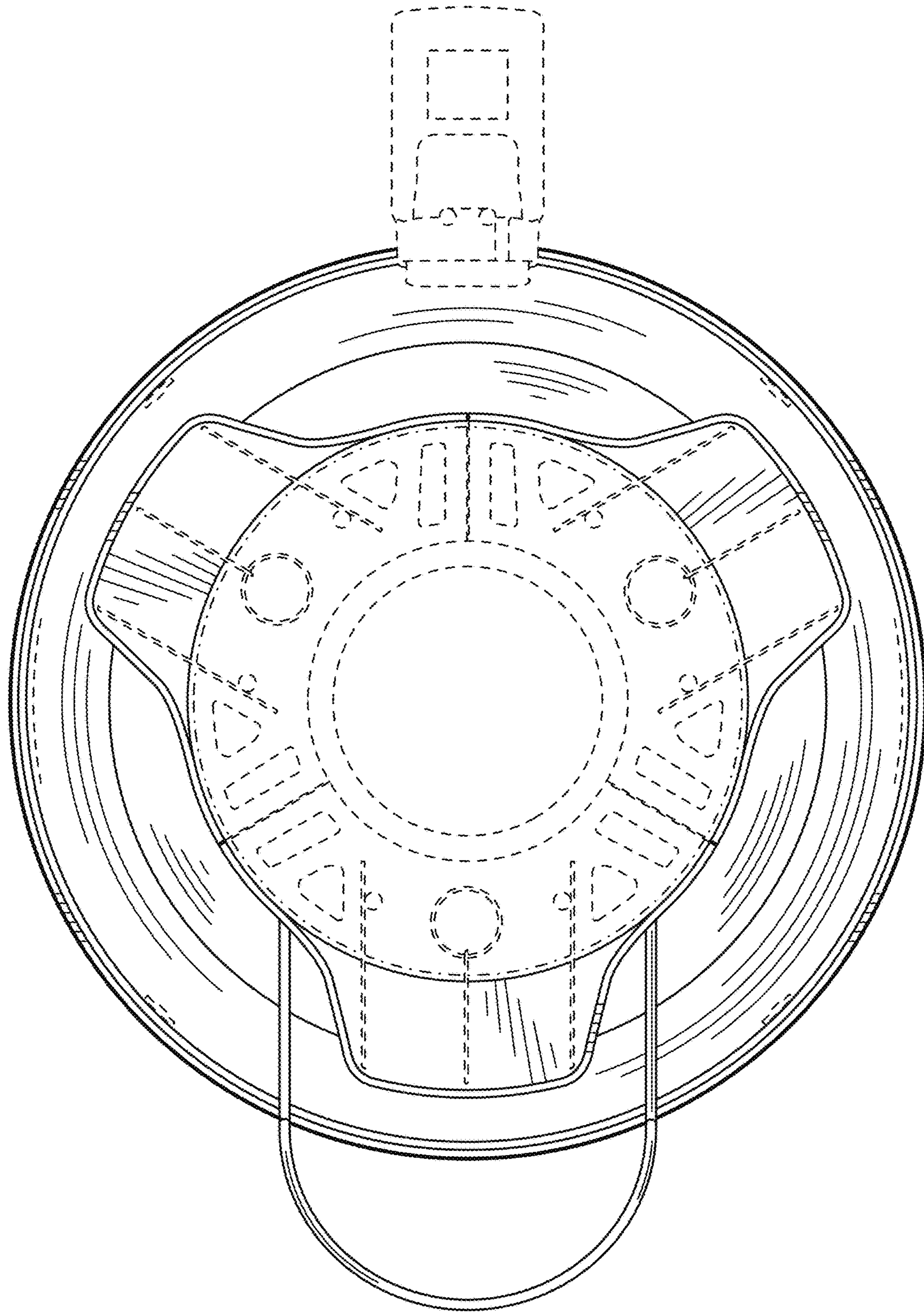


FIG. 7