



US00D814227S

(12) **United States Design Patent** (10) **Patent No.:** **US D814,227 S**
Ebersold (45) **Date of Patent:** **** Apr. 3, 2018**

(54) **BARBEQUE GRILL**

FOREIGN PATENT DOCUMENTS

(71) Applicant: **SCS Direct Inc.**, Trumbull, CT (US)

DE 319818 A1 12/1990
GB 2293090 B 3/1996

(72) Inventor: **Benjamin Ebersold**, Trumbull, CT (US)

(Continued)

(73) Assignee: **SCS Direct Inc.**, Trumbull, CT (US)

OTHER PUBLICATIONS

(**) Term: **15 Years**

English Translation, RIENKS, DE3919818, Bio-system grill with inclined slats—prevents fat from smoking on heat source, last viewed May 19, 2016.

(21) Appl. No.: **29/569,931**

(Continued)

(22) Filed: **Jul. 1, 2016**

(51) **LOC (11) Cl.** **07-02**

Primary Examiner — Susan Bennett Hattan

(52) **U.S. Cl.**

Assistant Examiner — Brett Miller

USPC **D7/334**

(74) *Attorney, Agent, or Firm* — Mark Nowotarski

(58) **Field of Classification Search**

USPC D7/332–337, 402–411; 126/152 R, 25 R
CPC .. A47J 37/067; A47J 37/0694; A47J 37/0786;
A47J 37/0704; A47J 37/0713; A47J
37/0781; A47J 37/0777; A47J 37/0763;
A47J 37/0611; A47J 37/0709; A47J
37/0676; F24C 15/16

(57) **CLAIM**

The ornamental design for a barbeque grill, as shown and described.

See application file for complete search history.

DESCRIPTION

(56) **References Cited**

U.S. PATENT DOCUMENTS

D93,820 S * 11/1934 Geib D3/204
D198,729 S * 7/1964 Lang D3/267
D246,140 S * 10/1977 Johnson D3/905
D246,548 S * 11/1977 Uyeda D3/905
4,672,944 A 6/1987 Curry
4,895,130 A * 1/1990 Staschke A47J 37/0704
126/25 A
D415,388 S * 10/1999 Wagner D7/332
D438,427 S * 3/2001 Campbell D7/332
6,439,221 B1 8/2002 Ward et al.
D480,905 S 10/2003 Pai
7,237,548 B2 7/2007 Mizrahi et al.
D550,023 S 9/2007 Chung
D580,220 S * 11/2008 McKenzie D7/402

FIG. 1 is a rear side perspective view of a closed embodiment of barbeque grill.

FIG. 2 is a right side view of the embodiment of FIG. 1 of barbeque grill.

FIG. 3 is a top view of the embodiment of FIG. 1 of barbeque grill.

FIG. 4 is a bottom view of the embodiment of FIG. 1 of barbeque grill.

FIG. 5 is a rear view of the embodiment of FIG. 1 of barbeque grill.

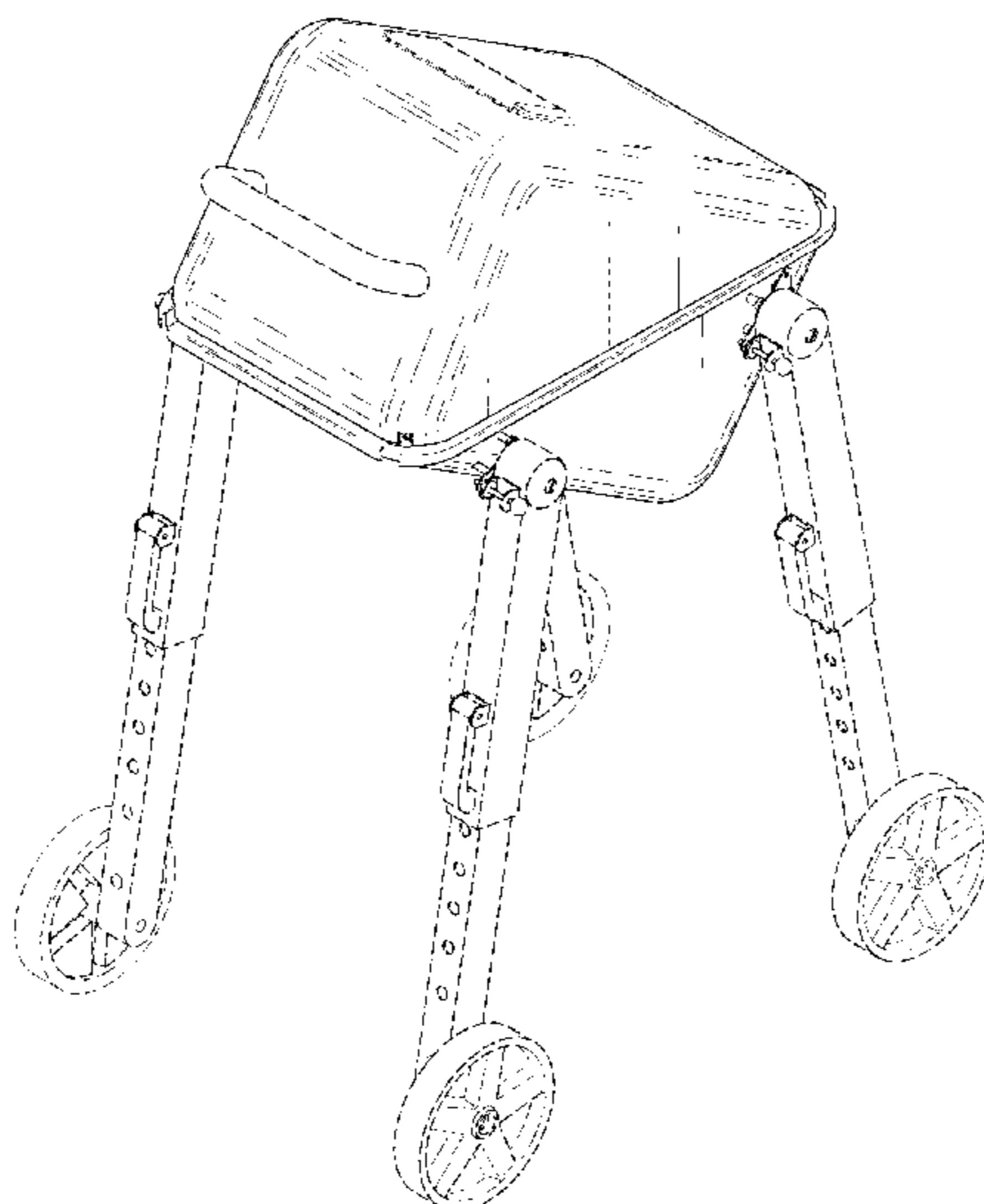
FIG. 6 is a left side view of the embodiment of FIG. 1 of barbeque grill; and,

FIG. 7 is a front view of the embodiment of FIG. 1 of barbeque grill.

The broken lines in the figures depict environment and form no part of the claimed design.

(Continued)

1 Claim, 6 Drawing Sheets



(56)

References Cited

U.S. PATENT DOCUMENTS

D604,090 S * 11/2009 Proffitt D7/334
D608,580 S * 1/2010 Pai D7/334
D627,590 S * 11/2010 Proffitt D7/334
D706,080 S * 6/2014 Pai D7/403
D709,315 S * 7/2014 Witzel D7/332
2009/0078246 A1* 3/2009 Leavens A47J 37/0786
126/39 H
2013/0108750 A1 5/2013 Vitagliano

FOREIGN PATENT DOCUMENTS

GB 2461402 B 1/2010
WO WO 2014/193119 A1 12/2014

OTHER PUBLICATIONS

Weber Charcoal Go-Anywhere Grill (121020), <http://www.acehardware.com/product/index.jsp?productId=1288557>, last viewed May 19, 2016.

* cited by examiner

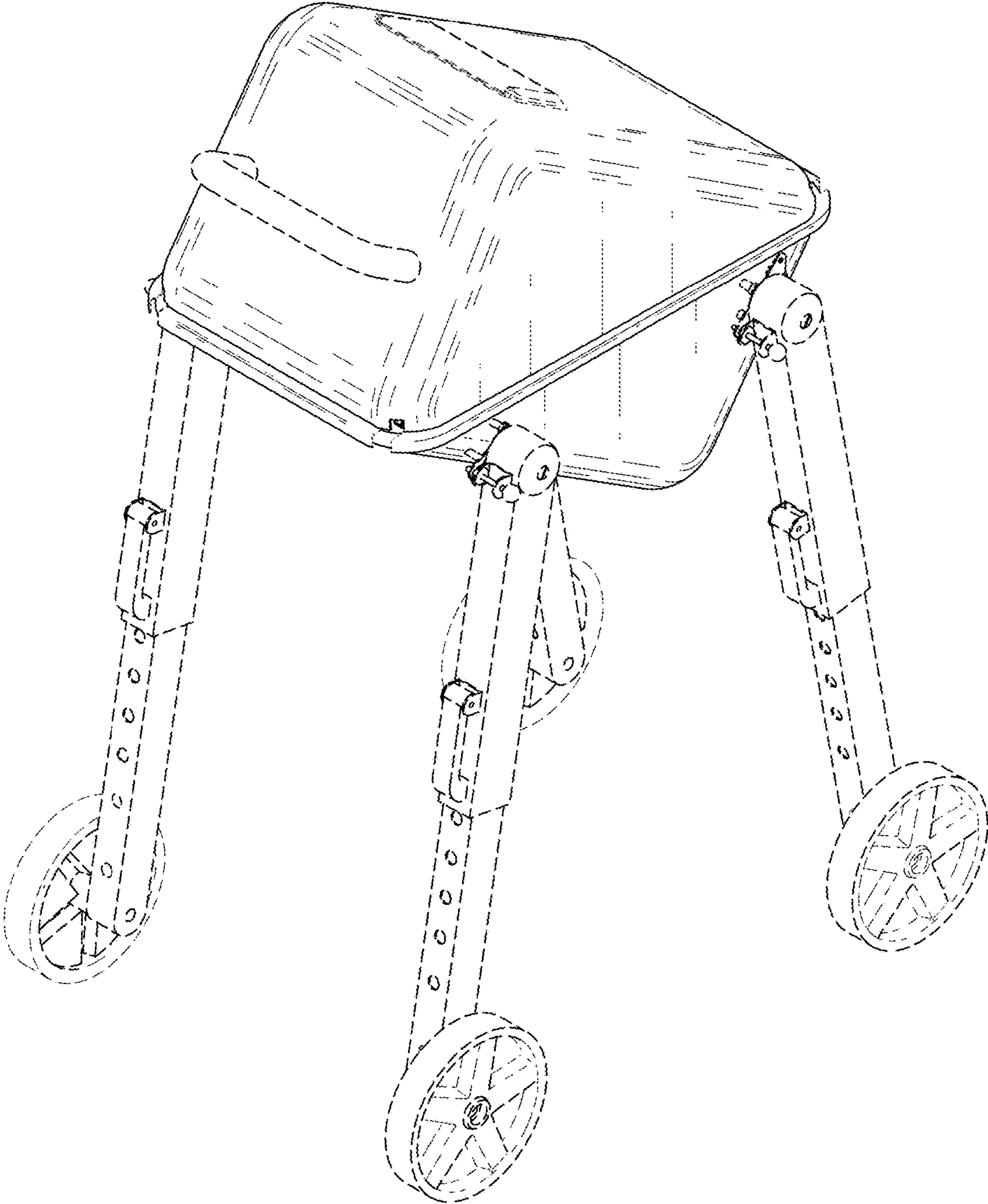


FIG. 1

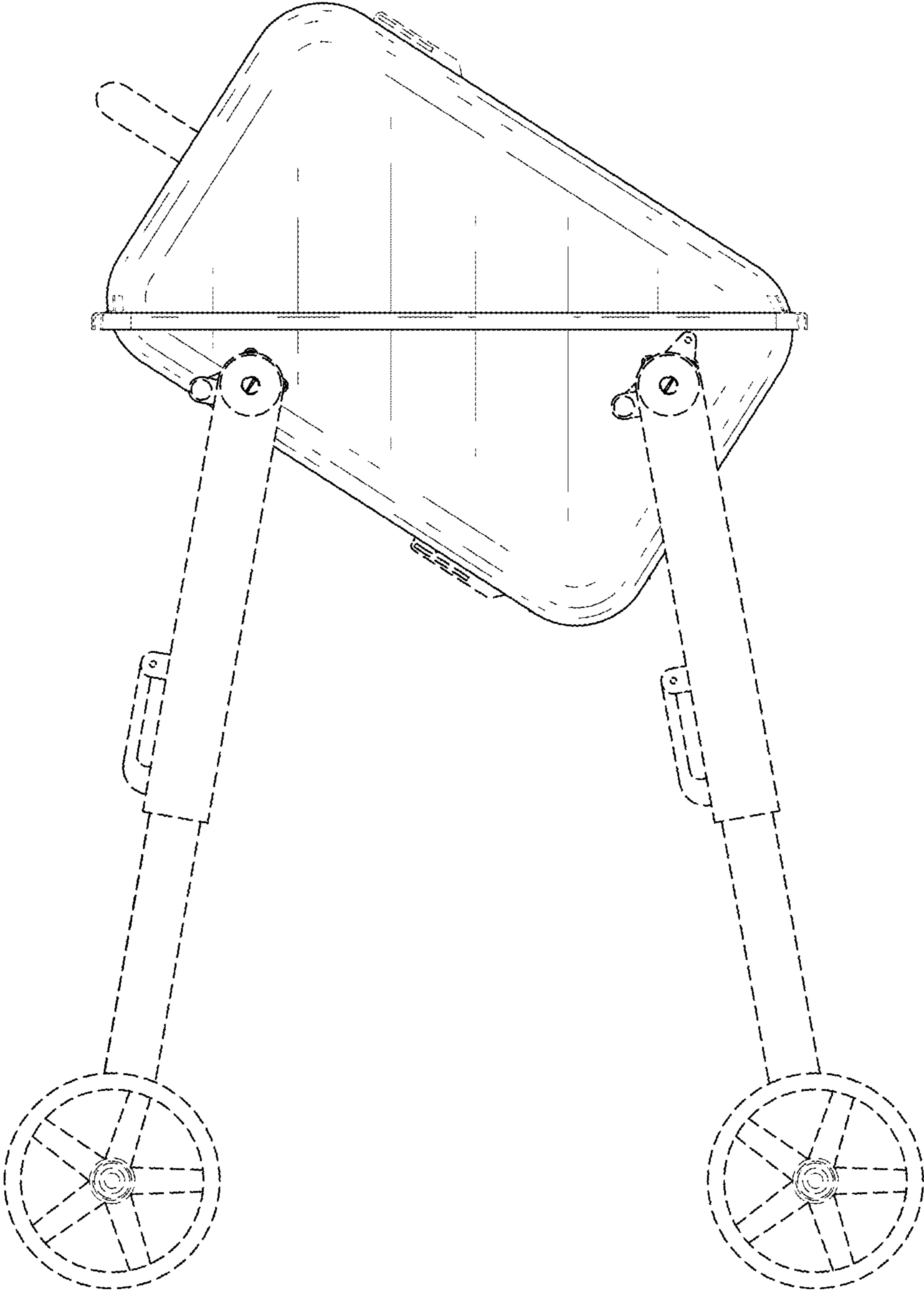


FIG. 2

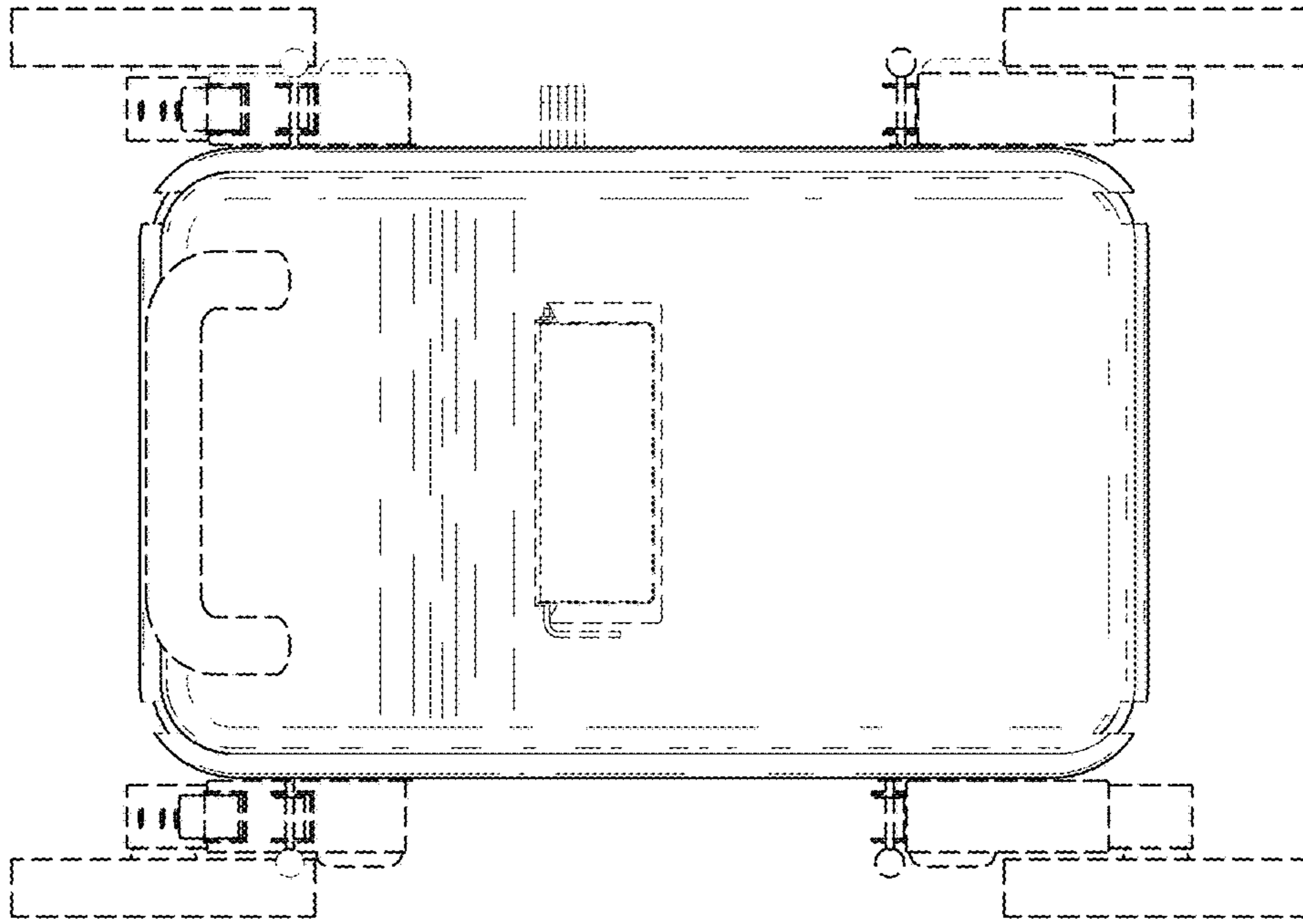


FIG. 3

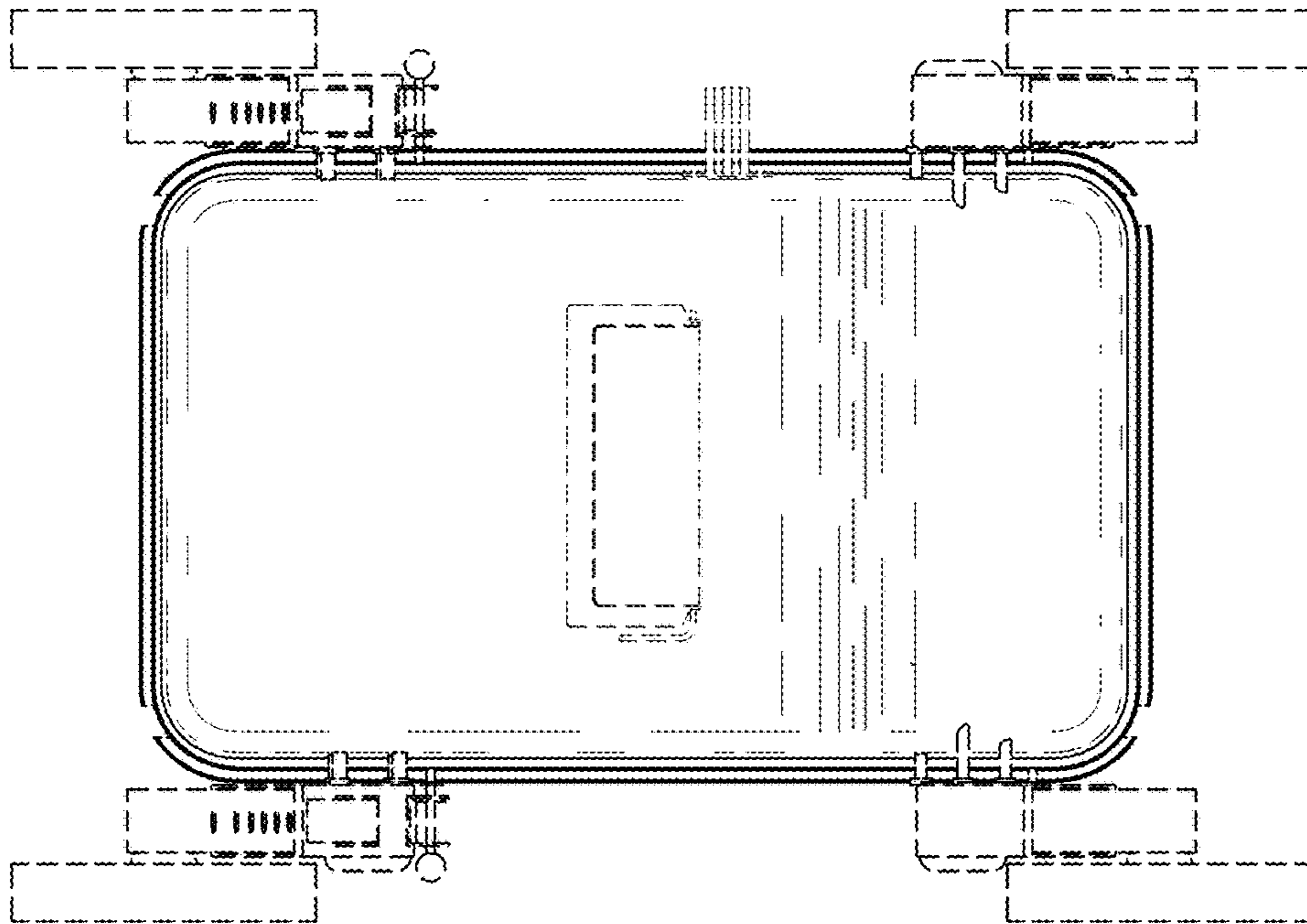


FIG. 4

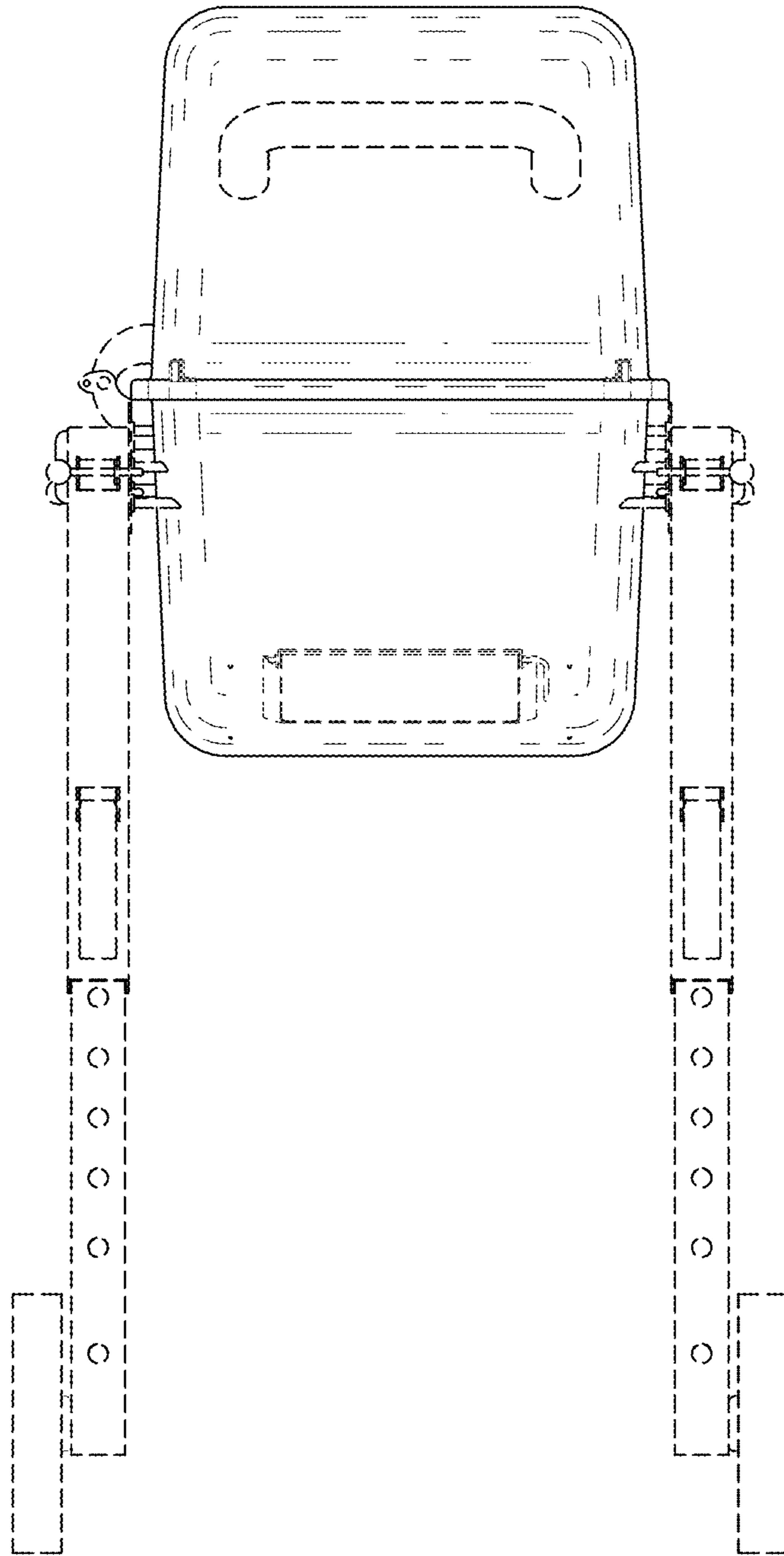


FIG. 5

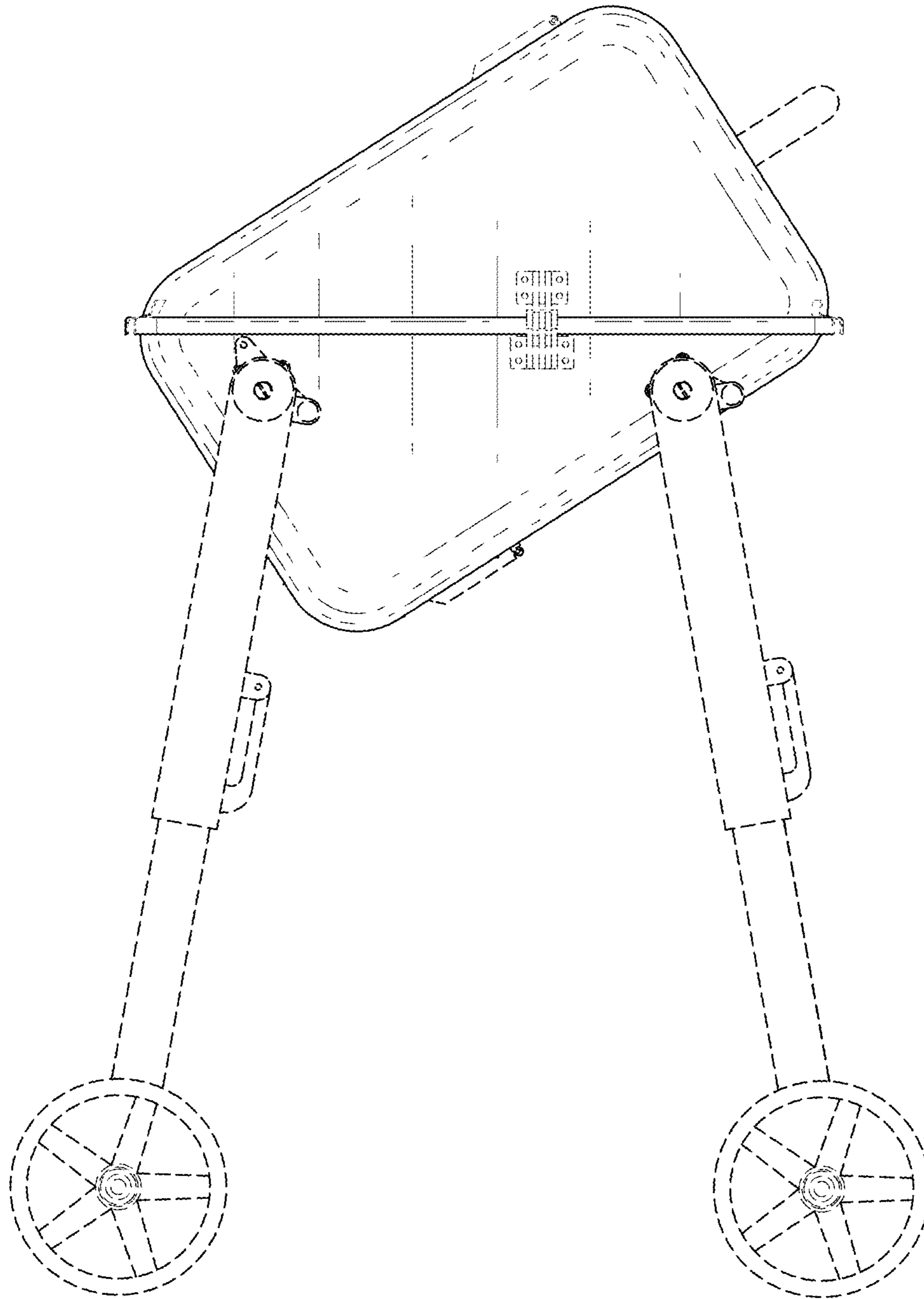


FIG. 6

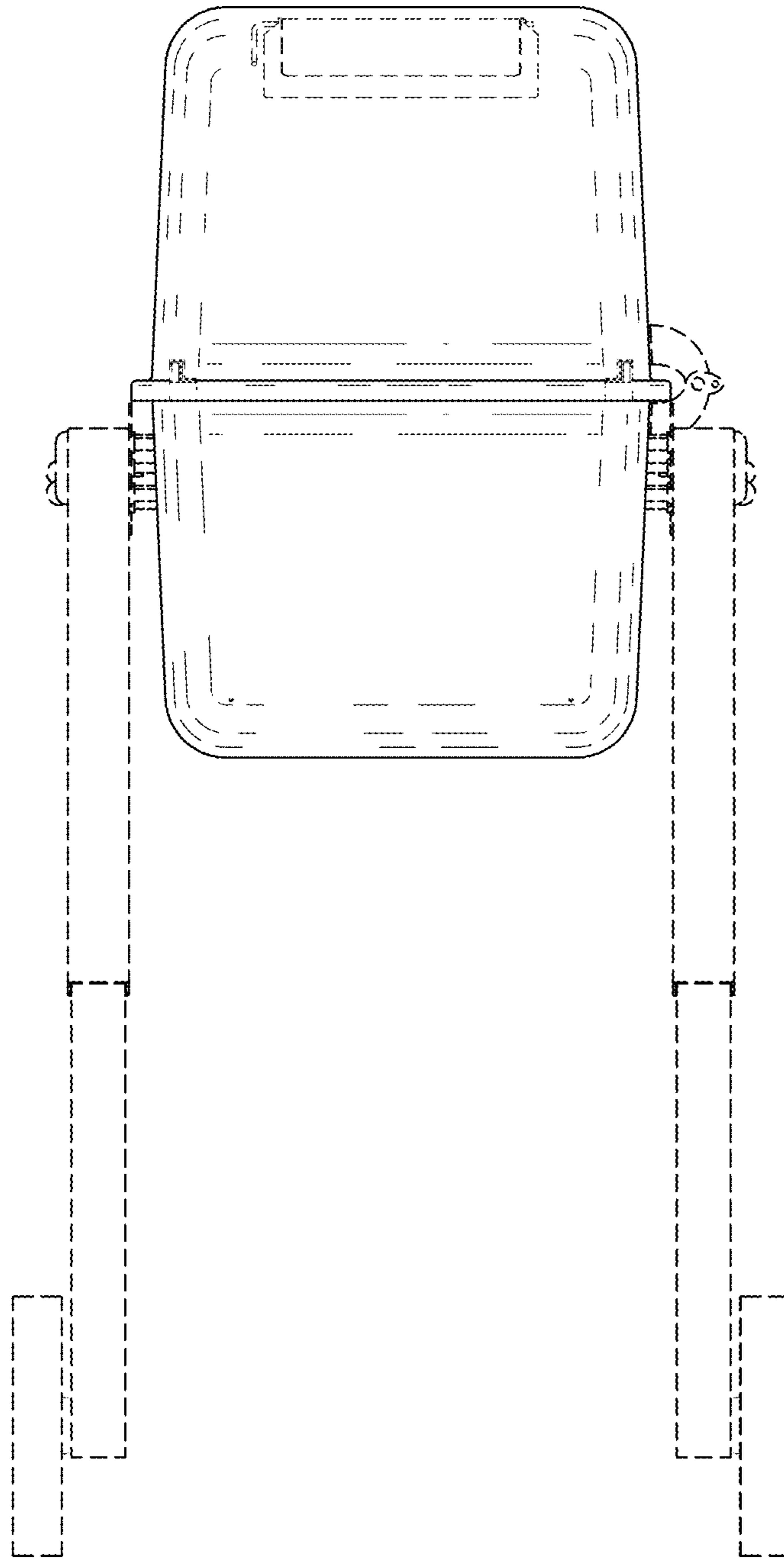


FIG. 7