



US00D814226S

(12) **United States Design Patent** (10) **Patent No.:** **US D814,226 S**
Mansueto et al. (45) **Date of Patent:** **** *Apr. 3, 2018**

(54) **BARBEQUE**

(56) **References Cited**

(71) Applicant: **SHRIRO AUSTRALIA PTY LIMITED**, Kingsgrove, New South Wales (AU)

(72) Inventors: **David Mansueto**, New South Wales (AU); **David Jones**, New South Wales (AU); **Anson Li**, New South Wales (AU)

(73) Assignee: **SHRIRO AUSTRALIA PTY LIMITED**, Kingsgrove, New South Wales (AU)

(*) Notice: This patent is subject to a terminal disclaimer.

(**) Term: **15 Years**

U.S. PATENT DOCUMENTS

D465,693	S	*	11/2002	Coleman	D7/334
D494,004	S	*	8/2004	Chapman	D7/334
D525,072	S	*	7/2006	Wilgus	D7/334
D579,709	S	*	11/2008	Proffitt	D7/334
D658,926	S	*	5/2012	Chung	D7/334
D660,073	S	*	5/2012	Chung	D7/334
D660,074	S	*	5/2012	Chung	D7/334
D661,538	S	*	6/2012	Chung	D7/334
D679,937	S	*	4/2013	Chung	D7/334
D681,389	S	*	5/2013	Goecke	D7/334
D687,667	S	*	8/2013	Chien	D7/334
D687,669	S	*	8/2013	Chung	D7/334
D688,082	S	*	8/2013	Crick	D7/334
D697,357	S	*	1/2014	Goecke	D7/334
D712,191	S	*	9/2014	Chung	D7/334
D717,097	S	*	11/2014	Lin	D7/334
D722,809	S	*	2/2015	Chung	D7/334

(Continued)

Primary Examiner — Marianne Pandozzi
Assistant Examiner — Suzanne Tisdell
(74) *Attorney, Agent, or Firm* — Ladas & Parry, LLP

(21) Appl. No.: **29/564,666**

(22) Filed: **May 13, 2016**

(30) **Foreign Application Priority Data**

Nov. 13, 2015 (AU) 201516067

(51) **LOC (11) Cl.** **07-02**

(52) **U.S. Cl.**
USPC **D7/334**

(58) **Field of Classification Search**
USPC D7/213, 323, 324, 325, 326, 327, 328, D7/329, 330, 331, 332, 333, 334, 335, D7/336, 337, 402, 404, 405, 406, 407
CPC G05D 7/00; F24F 13/07; F24C 5/00; F24C 5/20; F24C 3/00; F24C 3/10; F24C 3/12; F24C 15/06; F24C 15/10; F24C 15/16; F24C 15/20; F24B 3/00; F23N 5/22; B60H 3/00; B32B 15/04; A47J 43/18; A47J 37/00; A47J 37/04; A47J 37/06; A47J 37/07

See application file for complete search history.

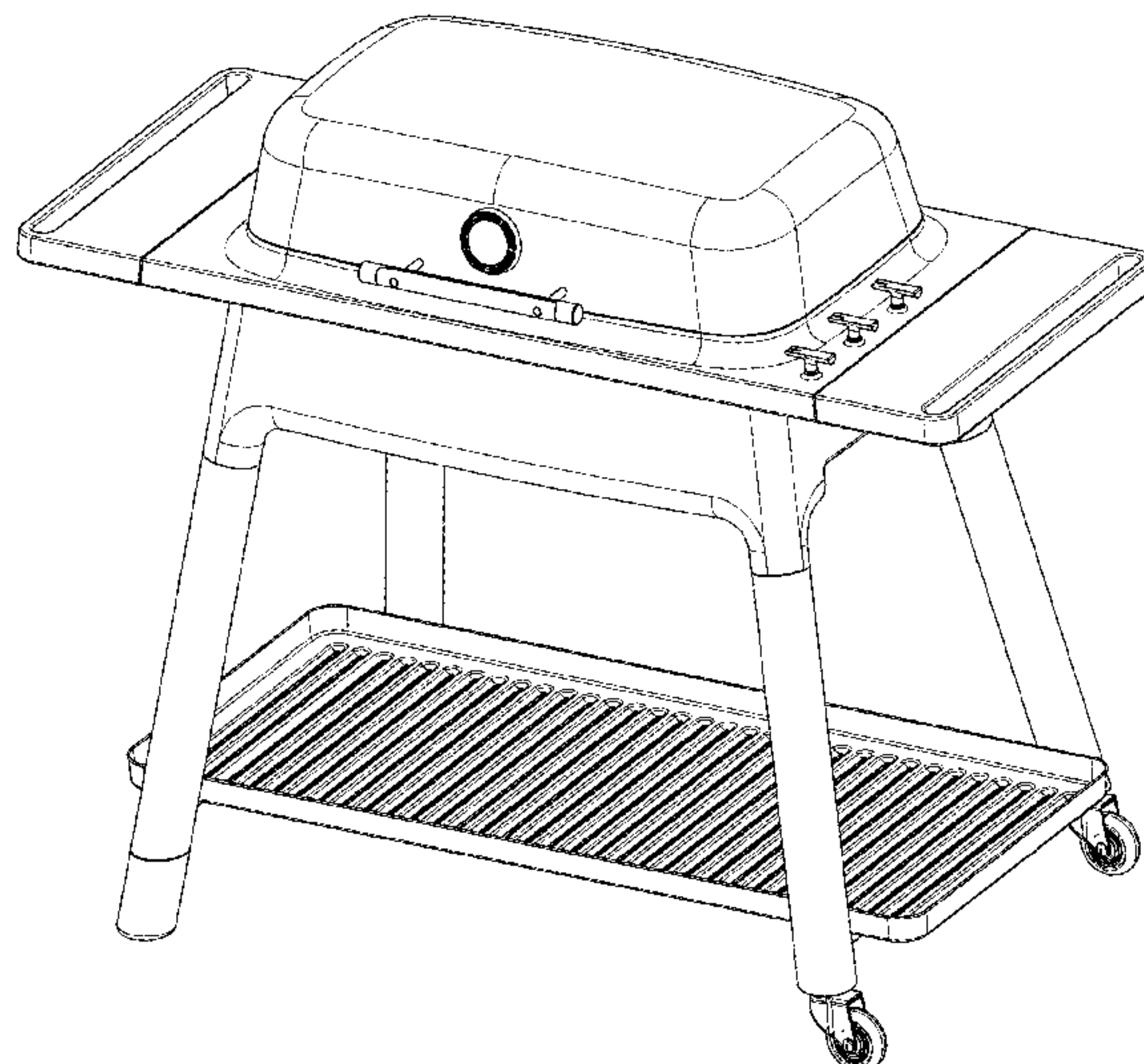
(57) **CLAIM**

We claim the ornamental design for a barbeque, as shown and described.

DESCRIPTION

FIG. 1 is a front perspective view of a barbeque in accordance with the design;
FIG. 2 is a front view of the design thereof;
FIG. 3 is a right side view of the design thereof;
FIG. 4 is a left side view of the design thereof;
FIG. 5 is a top view of the design thereof;
FIG. 6 is an under side view of the design thereof; and,
FIG. 7 is a front perspective view of an open configuration of the design thereof.
The broken lines in the Figures are for environmental purposes only and form no part of the claimed design.

1 Claim, 7 Drawing Sheets



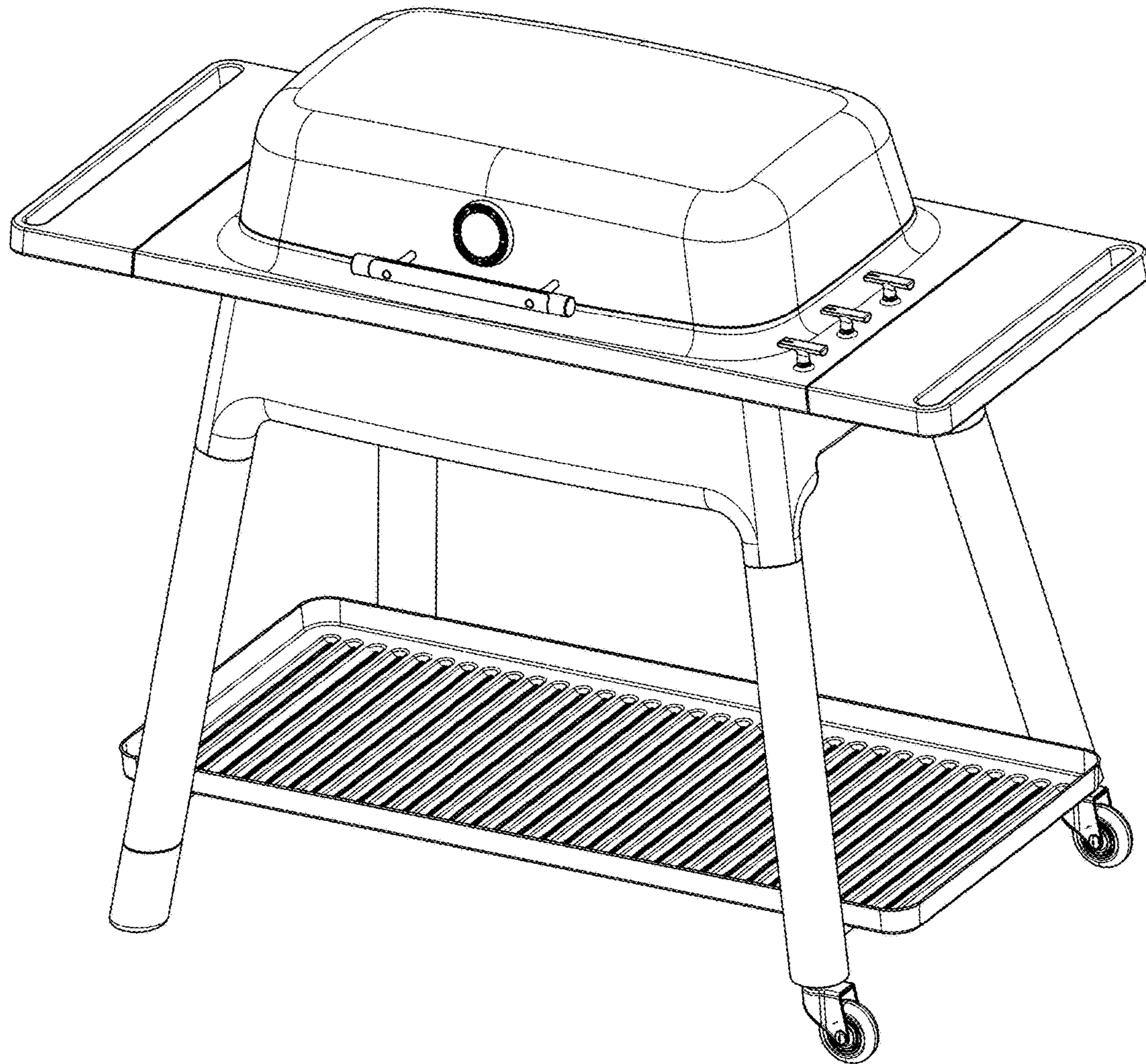


FIG. 1

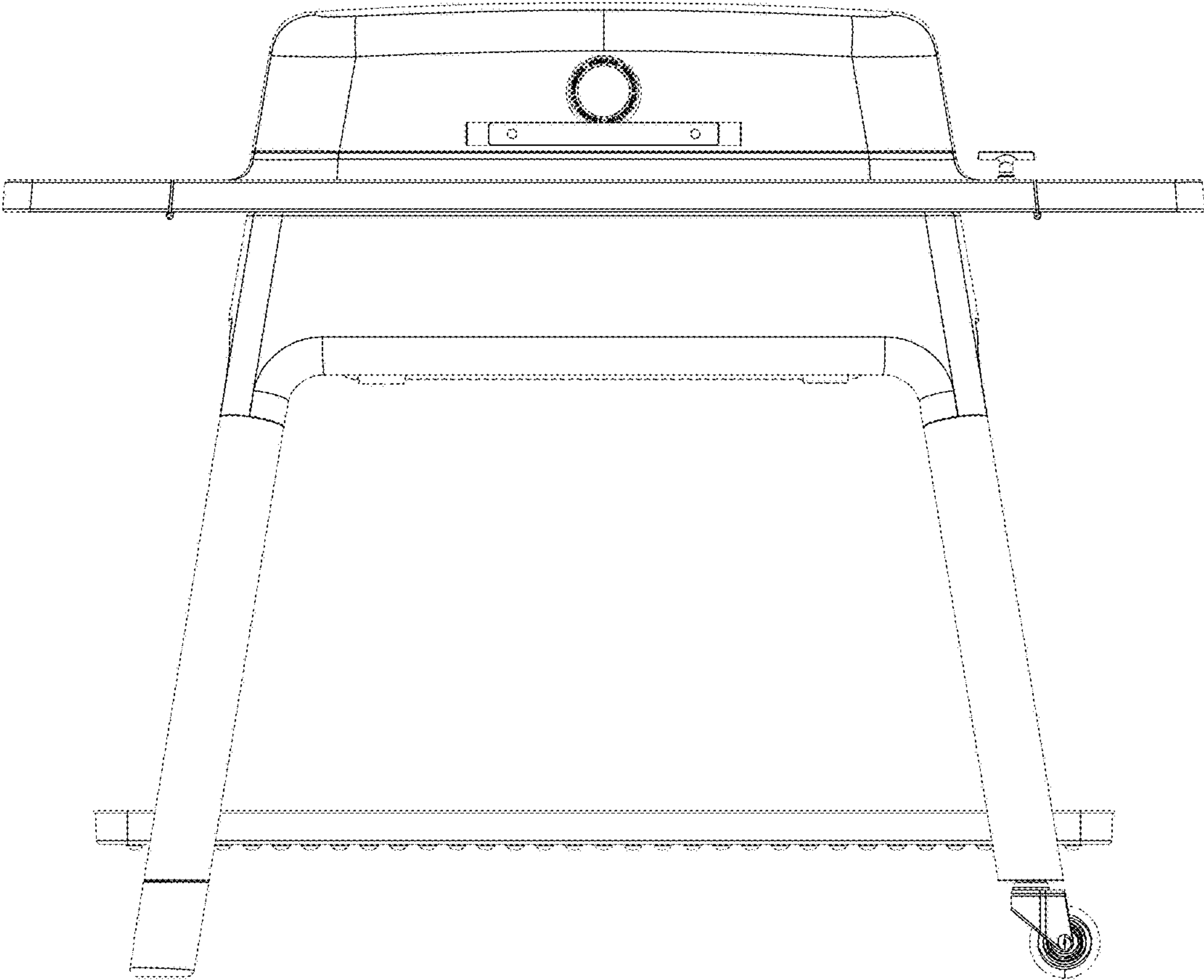


FIG. 2

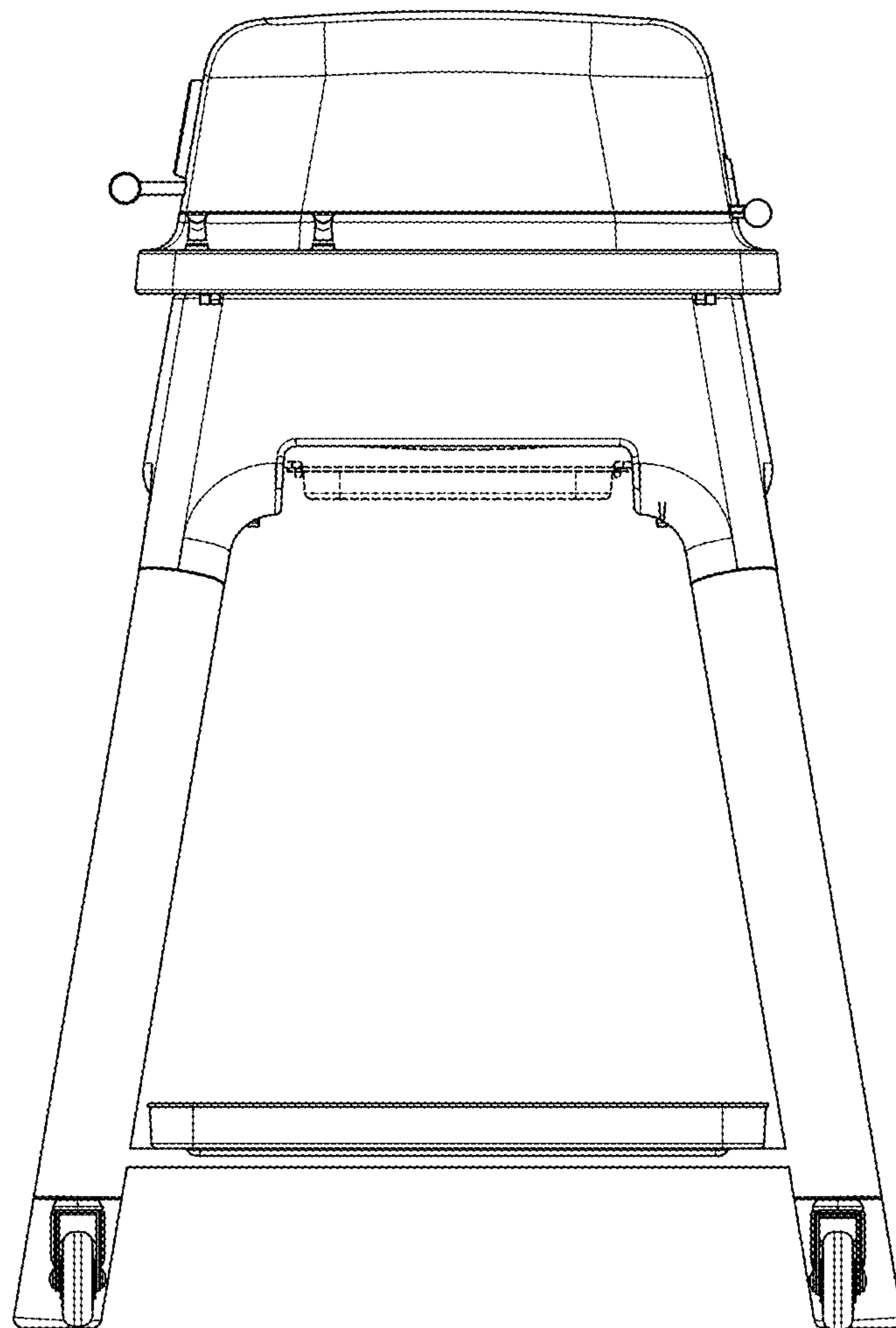


FIG. 3

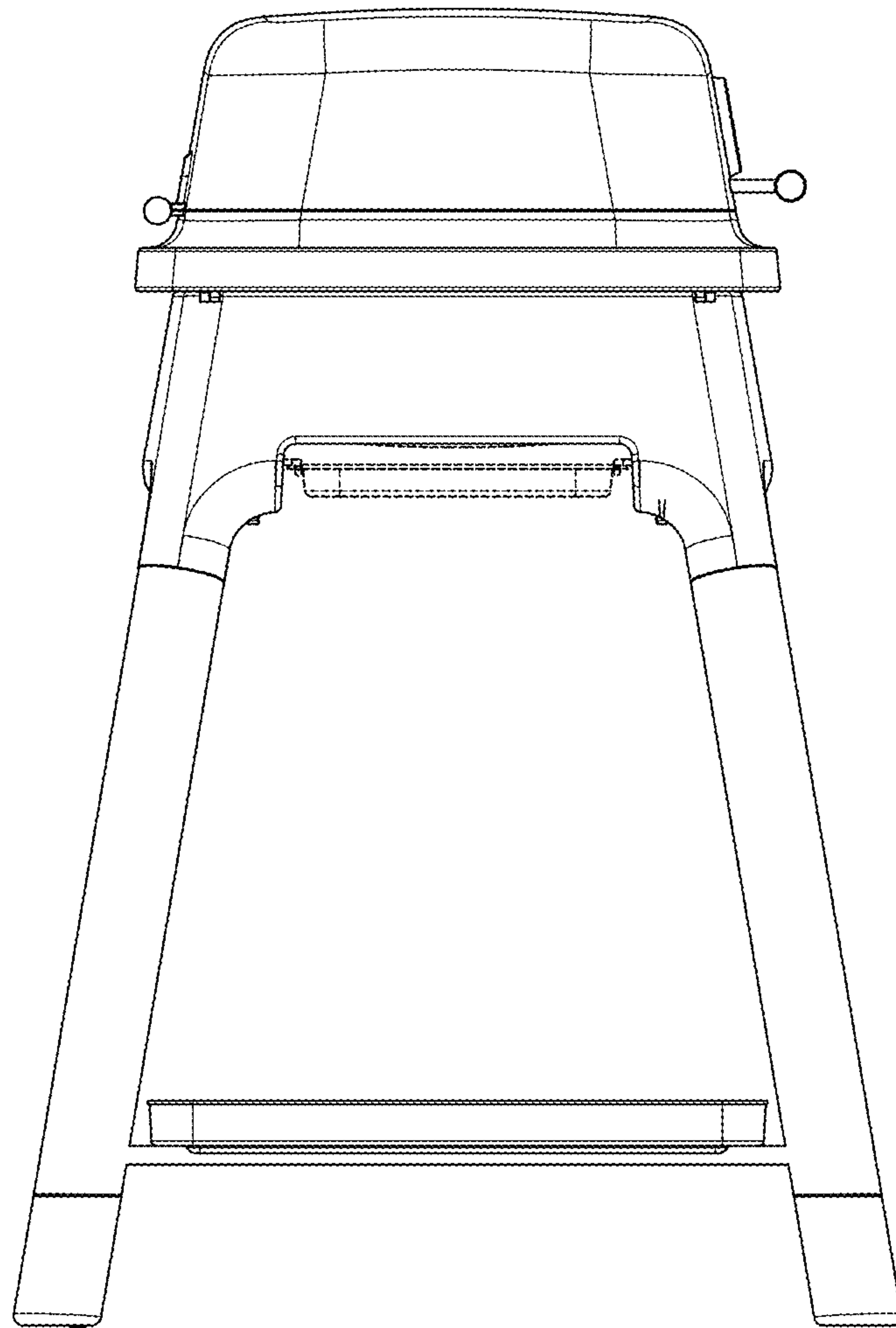


FIG. 4

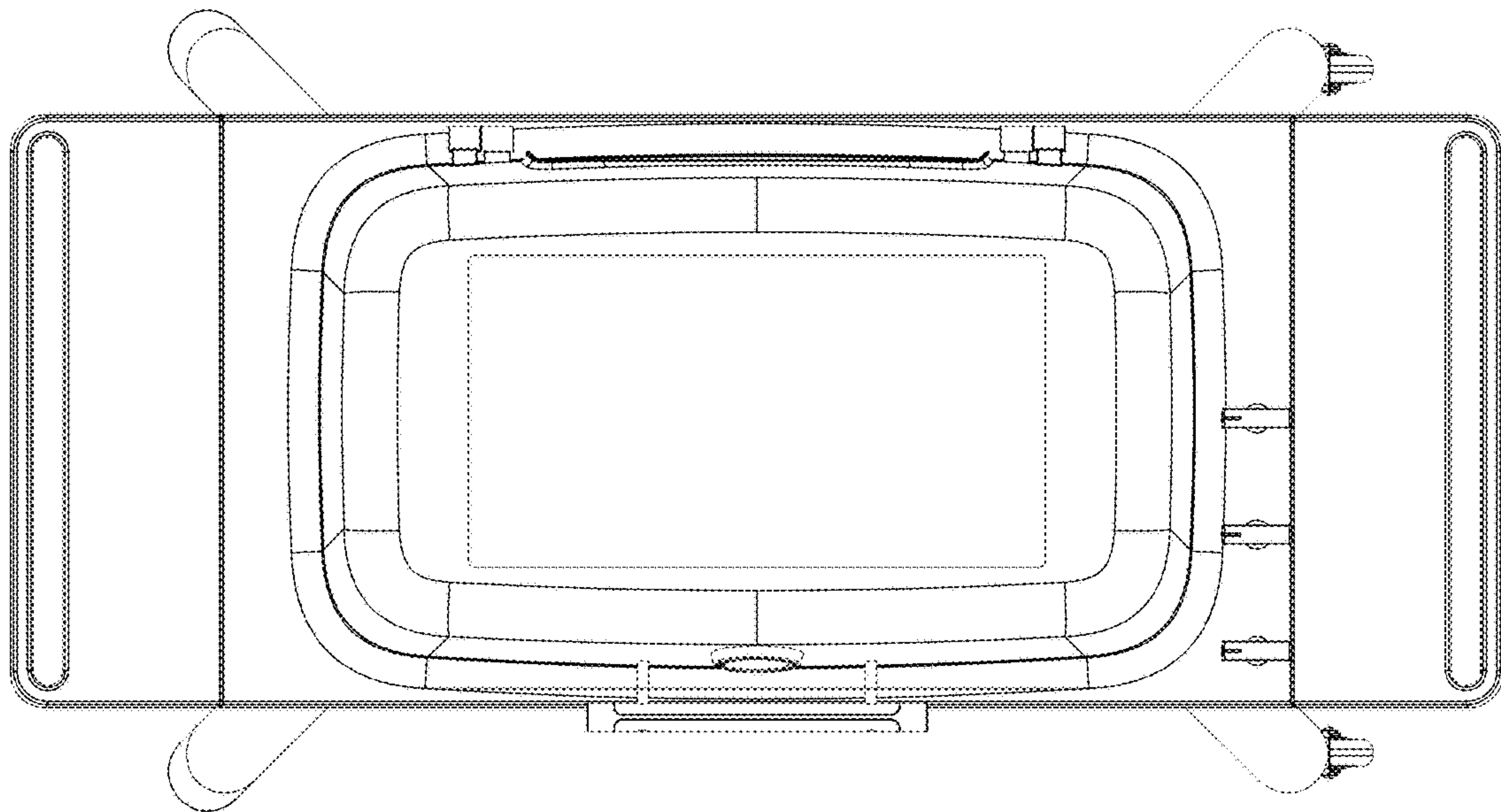


FIG. 5

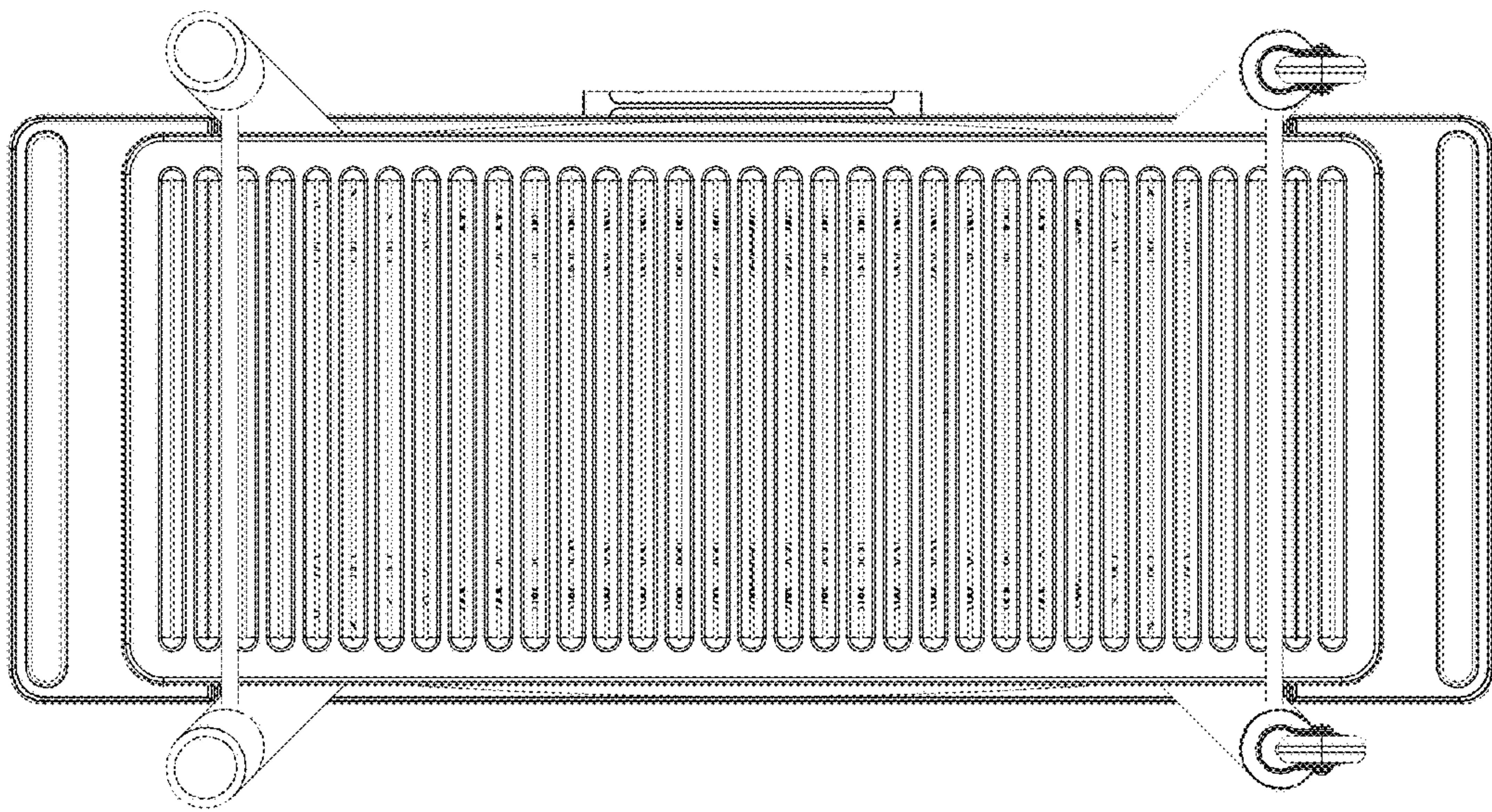


FIG. 6

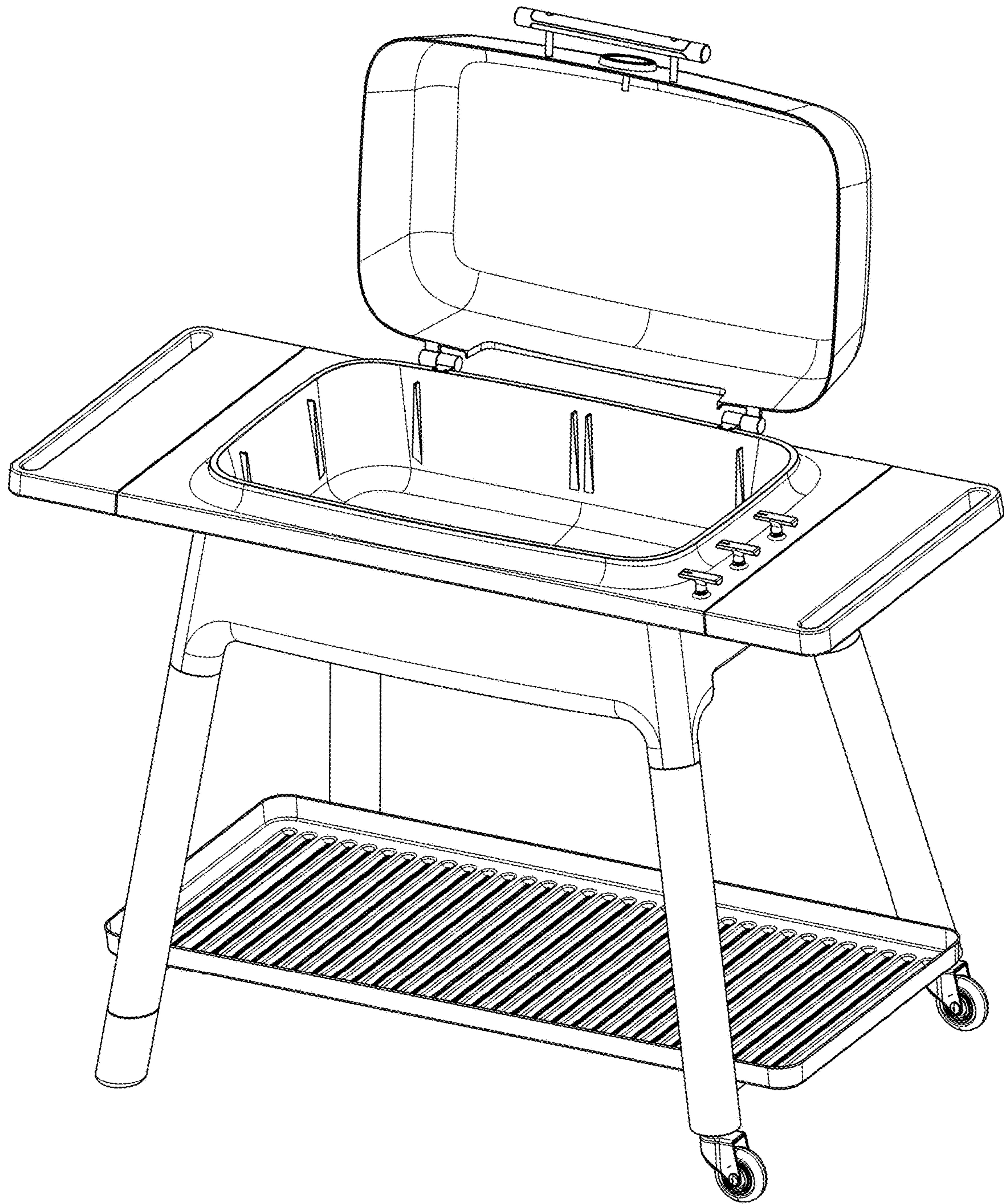


FIG. 7